



US00D375015S

United States Patent [19]

Kobayashi et al.

[11] Patent Number: **Des. 375,015**

[45] Date of Patent: ****Oct. 29, 1996**

[54] CASE FOR AN OPTICAL DISC

[75] Inventors: **Shinkichi Kobayashi; Kazuyoshi Sugimoto**, both of Tokyo, Japan

[73] Assignee: **Sony Computer Entertainment Inc.**, Tokyo, Japan

[**] Term: **14 Years**

[21] Appl. No.: **33,771**

[22] Filed: **Jan. 19, 1995**

[30] Foreign Application Priority Data

Jul. 19, 1994 [JP] Japan 6-21391

[52] U.S. Cl. **D6/632; D6/634**

[58] Field of Search D14/121, 100,
D14/114, 122, 299; D6/407, 632, 634;
206/308.1, 308.2, 308.3, 309, 307; D9/432,
423

[56] References Cited

U.S. PATENT DOCUMENTS

D. 293,507 1/1988 Ogusu D14/121

D. 325,468 4/1992 Ohba D14/121

D. 352,199 11/1994 Stumpff et al. D6/407 X

4,463,849 8/1984 Prusak et al. 206/307

4,749,081 6/1988 Carlson et al. 206/308.1 X

5,238,107 8/1993 Kownacki 206/308.1

5,366,073 11/1994 Turrentine et al. 206/308.1 X

5,417,324 5/1995 Joyce et al. 206/308.1 X

Primary Examiner—Prabhakar G. Deshmukh
Attorney, Agent, or Firm—Beveridge, DeGrandi, Weilacher & Young, LLP

[57] CLAIM

The ornamental design for a case for an optical disc, as shown and described.

DESCRIPTION

FIG. 1 is a perspective view of a case for an optical disc showing our new design;

FIG. 2 is a perspective view thereof, wherein a disc is shown for clarity of illustration, however, the disc is shown in broken lines and is not a part of the claimed design;

FIG. 3 is a perspective view thereof, with the lid shown in an open position;

FIG. 4 is a front elevational view thereof, the rear elevational view being a mirror image thereof;

FIG. 5 is a top plan view thereof;

FIG. 6 is a bottom plan view thereof;

FIG. 7 is a sectional elevational view taken along line 7—7 of FIG. 5;

FIG. 8 is a right elevational view thereof;

FIG. 9 is a left elevation view thereof;

FIG. 10 is a sectional elevational view taken along line 10—10 of FIG. 4; and,

FIG. 11 is a sectional elevational view taken along line 11—11 of FIG. 4.

1 Claim, 5 Drawing Sheets

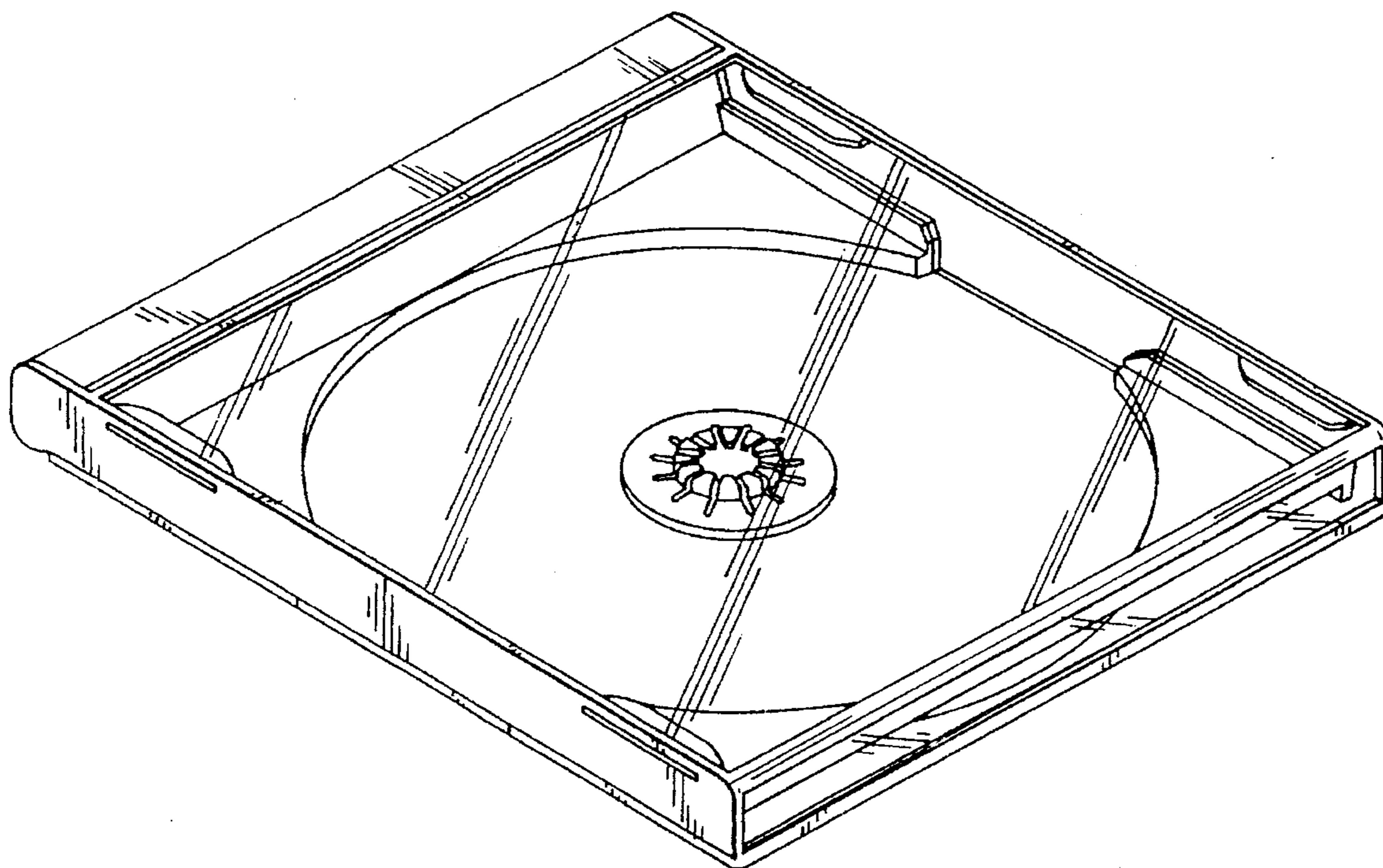


FIG. 1

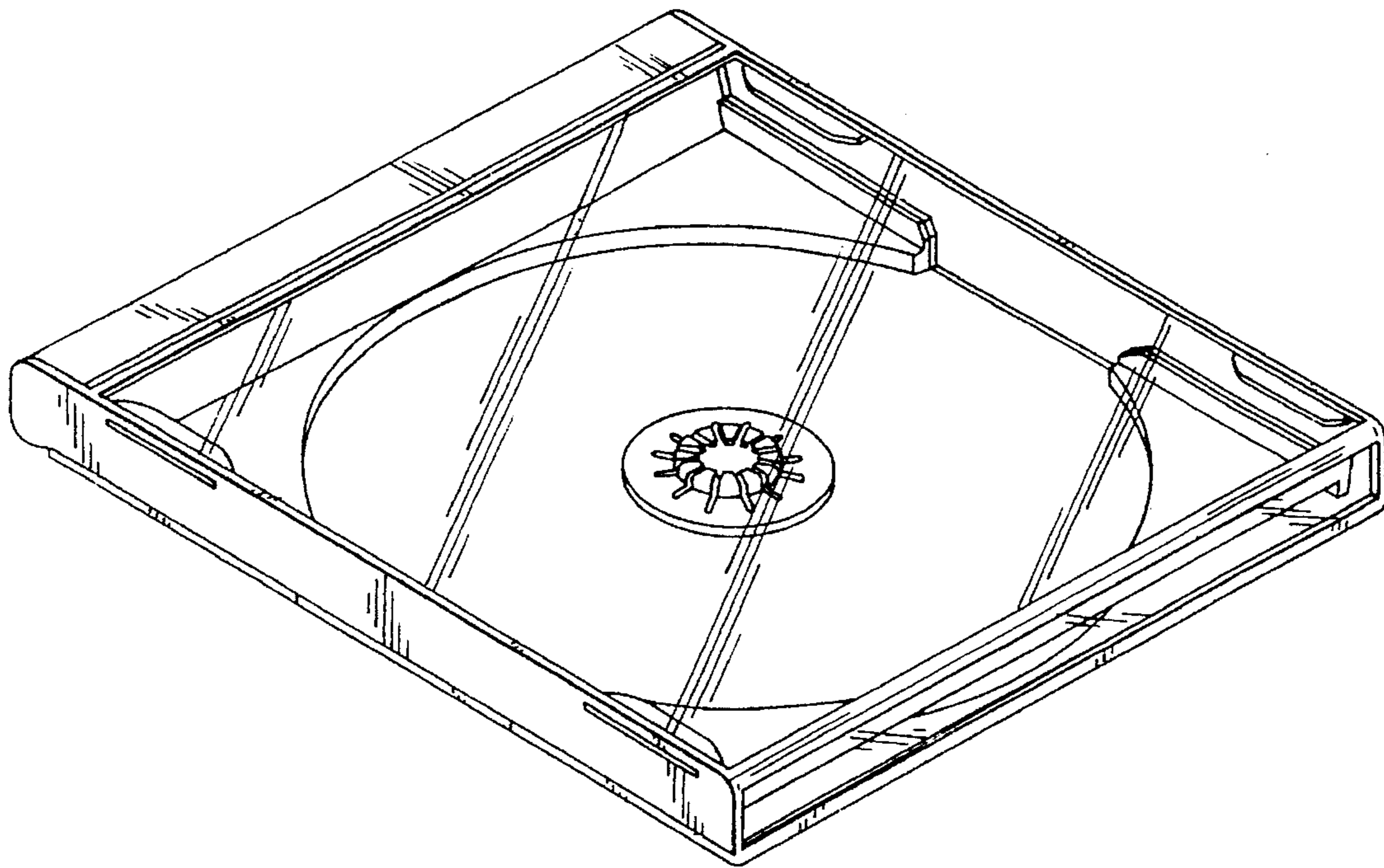
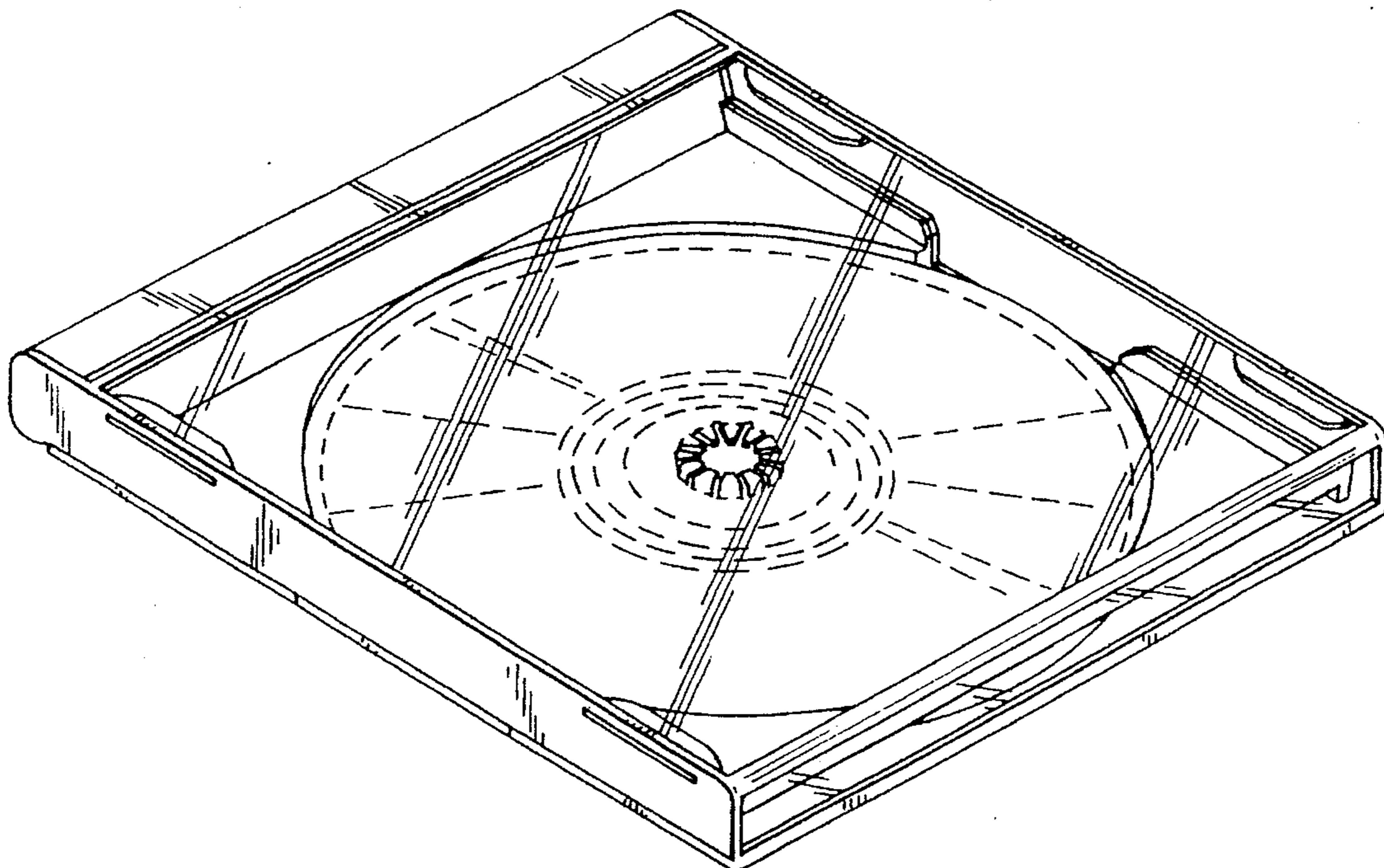


FIG. 2



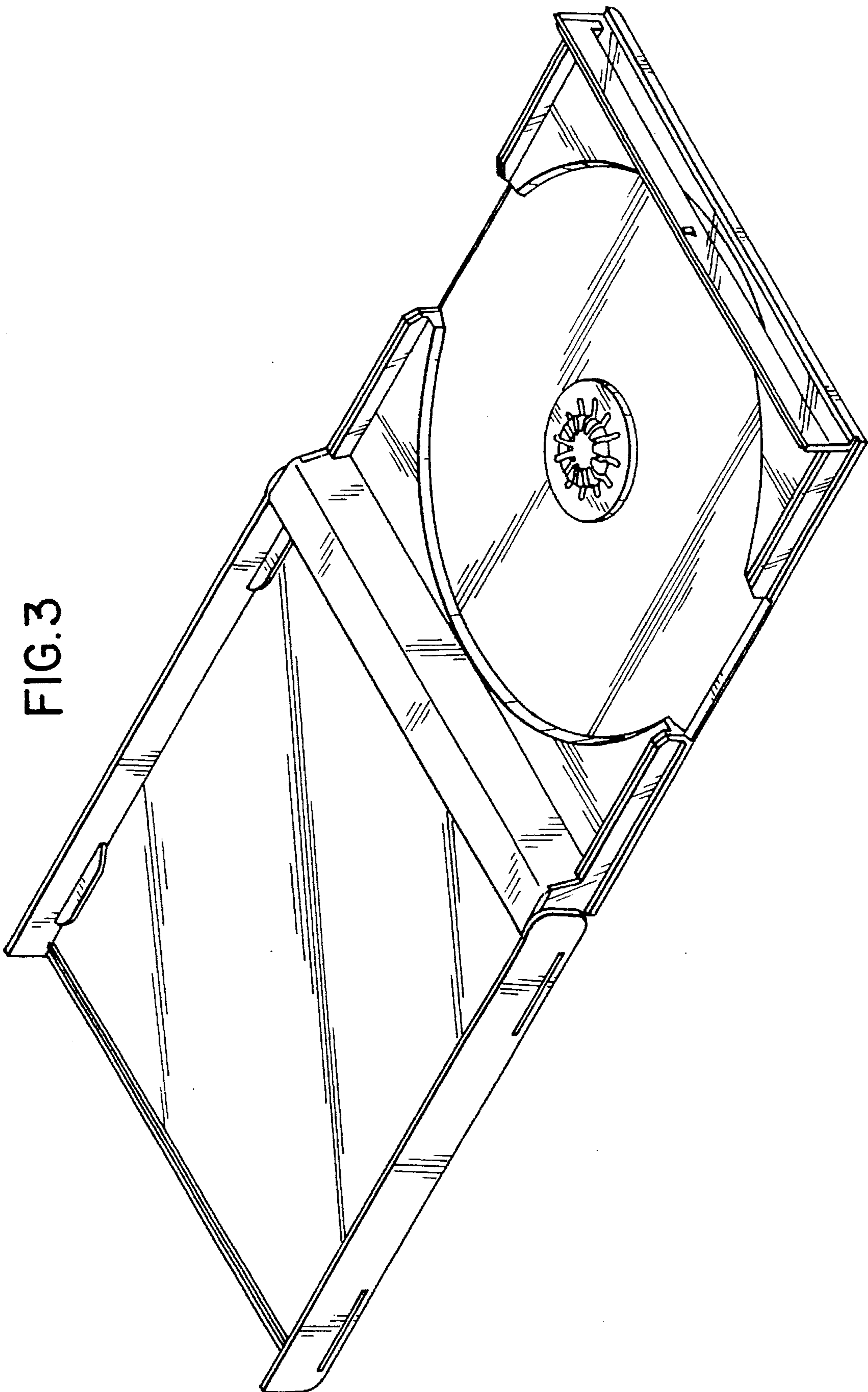


FIG.3

FIG. 4

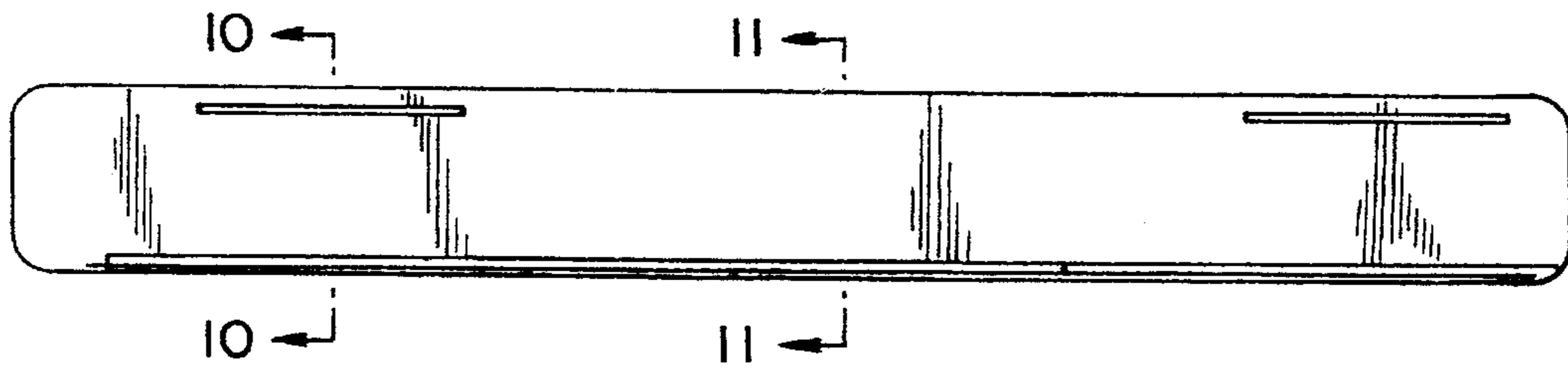


FIG. 5

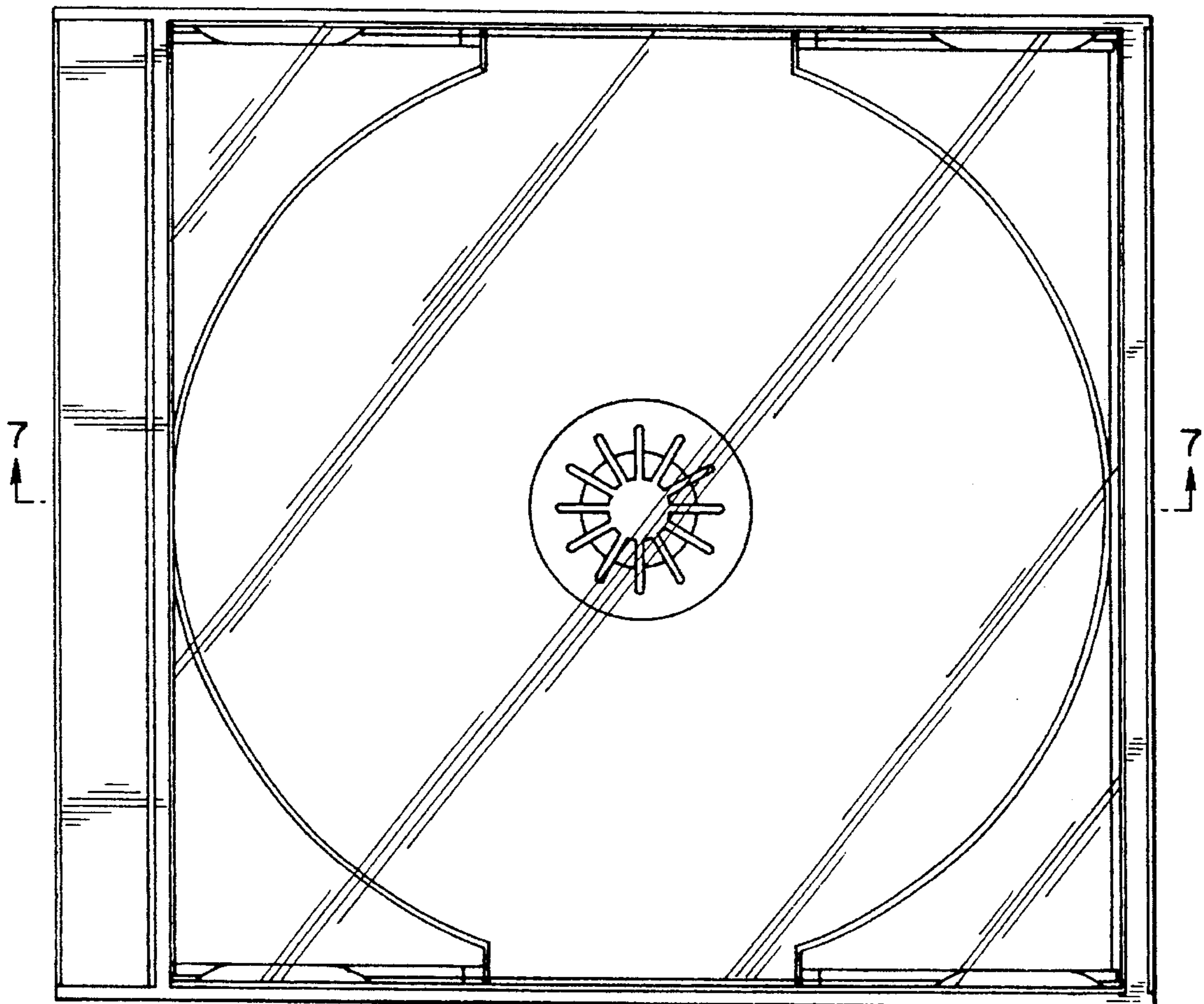


FIG. 6

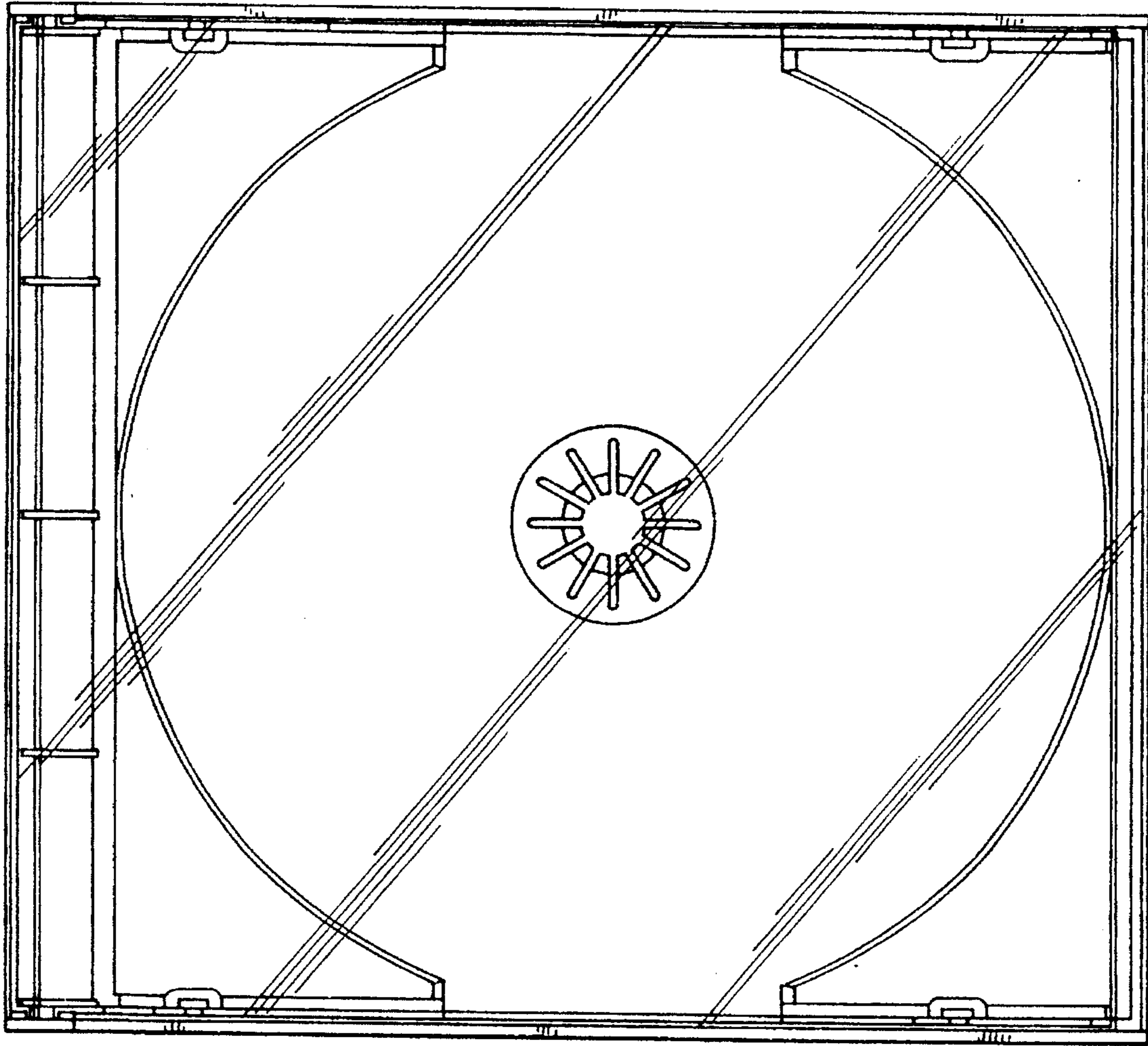


FIG. 7

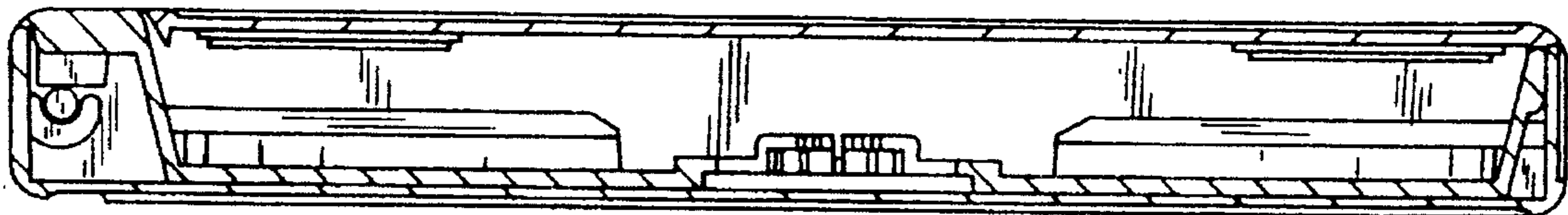


FIG. 8

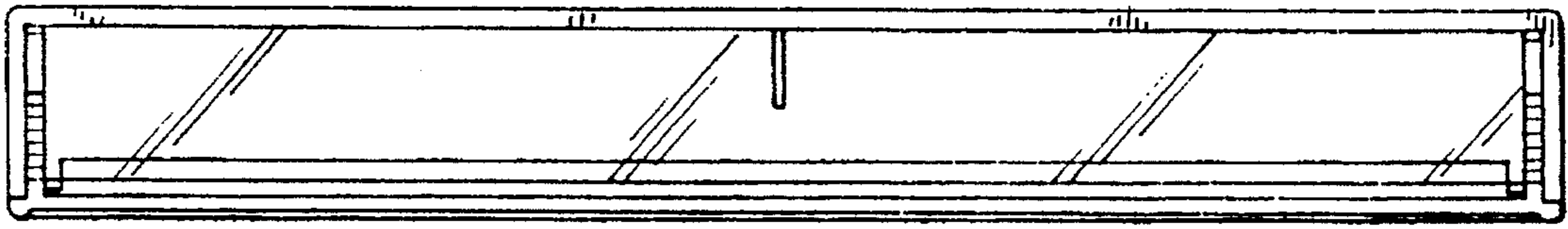


FIG. 9

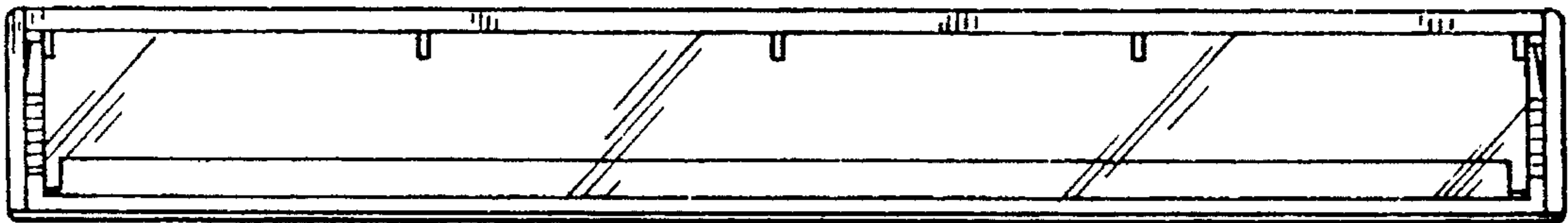


FIG. 10

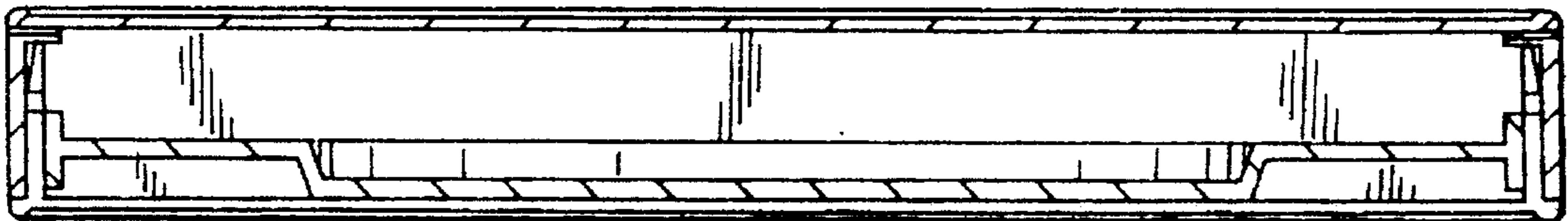


FIG. 11

