



US00D375012S

# United States Patent [19]

Scholl

[11] Patent Number: **Des. 375,012**

[45] Date of Patent: **\*\*Oct. 29, 1996**

- [54] SHELF
- [75] Inventor: **Winfried Scholl**, Dusseldorf, Germany
- [73] Assignee: **Hewi Heinrich Wilke GmbH**, Arolsen, Germany
- [\*\*] Term: **14 Years**
- [21] Appl. No.: **9,881**
- [22] Filed: **Jun. 23, 1993**

1,502,288 7/1924 Boye ..... 211/90 X  
 3,432,134 3/1969 Forschmidt ..... 211/90 X

*Primary Examiner*—A. Hugo Word  
*Assistant Examiner*—Lavone D. Tabor  
*Attorney, Agent, or Firm*—Michael J. Striker

## [57] CLAIM

The ornamental design for a shelf, as shown and described.

## DESCRIPTION

FIG. 1 is a front elevational view of a shelf showing my new design, the rear being unornamented and following the contour shown at the left of FIG. 2;  
 FIG. 2 is a side elevational view thereof, the opposite side being a mirror image;  
 FIG. 3 is a top plan view thereof, the bottom being unornamented and following the contour shown at the bottom of FIGS. 1 and 2;  
 FIG. 4 is a perspective view thereof;  
 FIG. 5 is a front elevational view of the support portion of the shelf, shown separately for clarity of illustration only;  
 FIG. 6 is a side elevational view of FIG. 5;  
 FIG. 7 is a top plan view FIG. 5;  
 FIG. 8 is a perspective view taken from the direction of arrow x in FIG. 6; and,  
 FIG. 9 is a perspective view of FIG. 5.

### Related U.S. Application Data

[62] Division of Ser. No. 662,806, Feb. 27, 1991, Pat. No. Des. 358,732.

### [30] Foreign Application Priority Data

Aug. 27, 1990 [DE] Germany ..... M9005636.1  
 [52] U.S. Cl. .... **D6/574**  
 [58] Field of Search ..... D6/553, 555, 567,  
 D6/574; 108/28, 29, 30, 32, 47, 150; 211/87-88,  
 90, 134; 248/235, 250

### [56] References Cited

#### U.S. PATENT DOCUMENTS

D. 265,274 7/1982 Scholl ..... D6/574  
 D. 299,896 2/1989 Harrell ..... D6/574  
 358,766 3/1887 Albro ..... 248/235

**1 Claim, 3 Drawing Sheets**

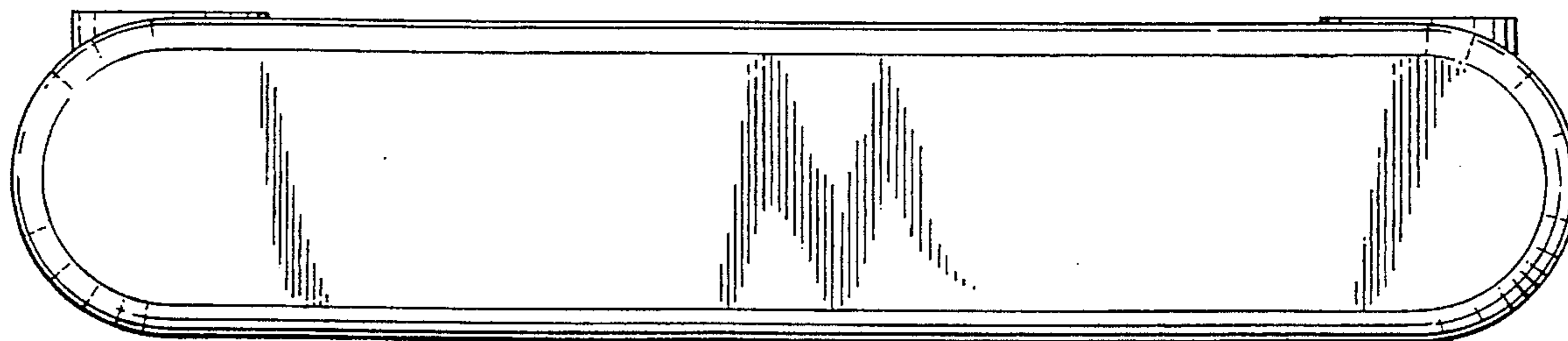
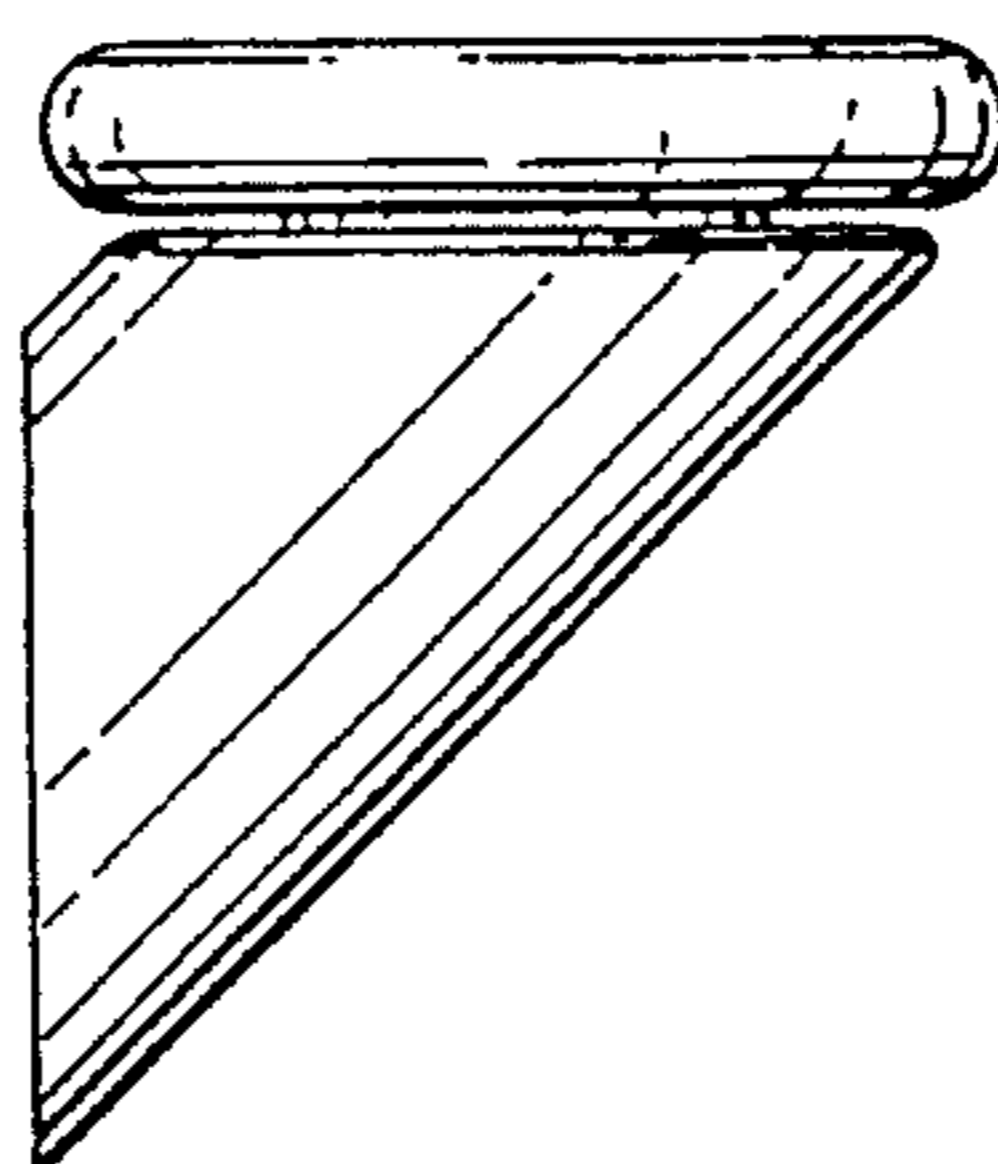


FIG. 1

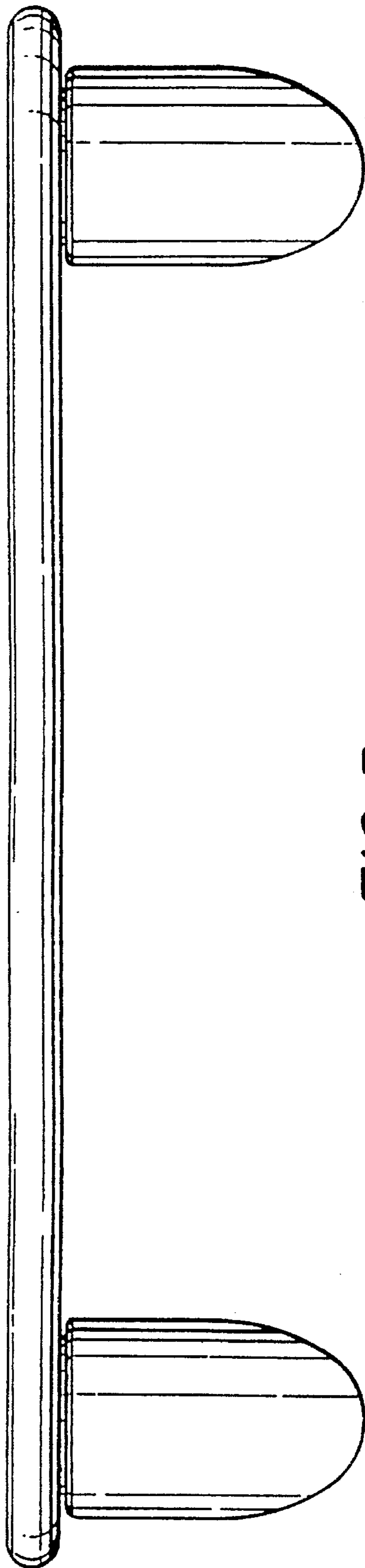


FIG. 3

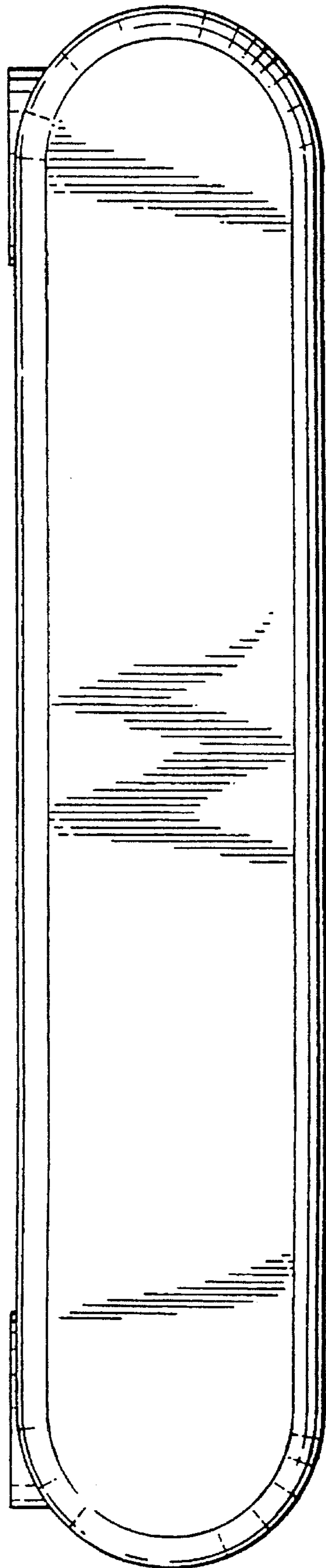


FIG. 2

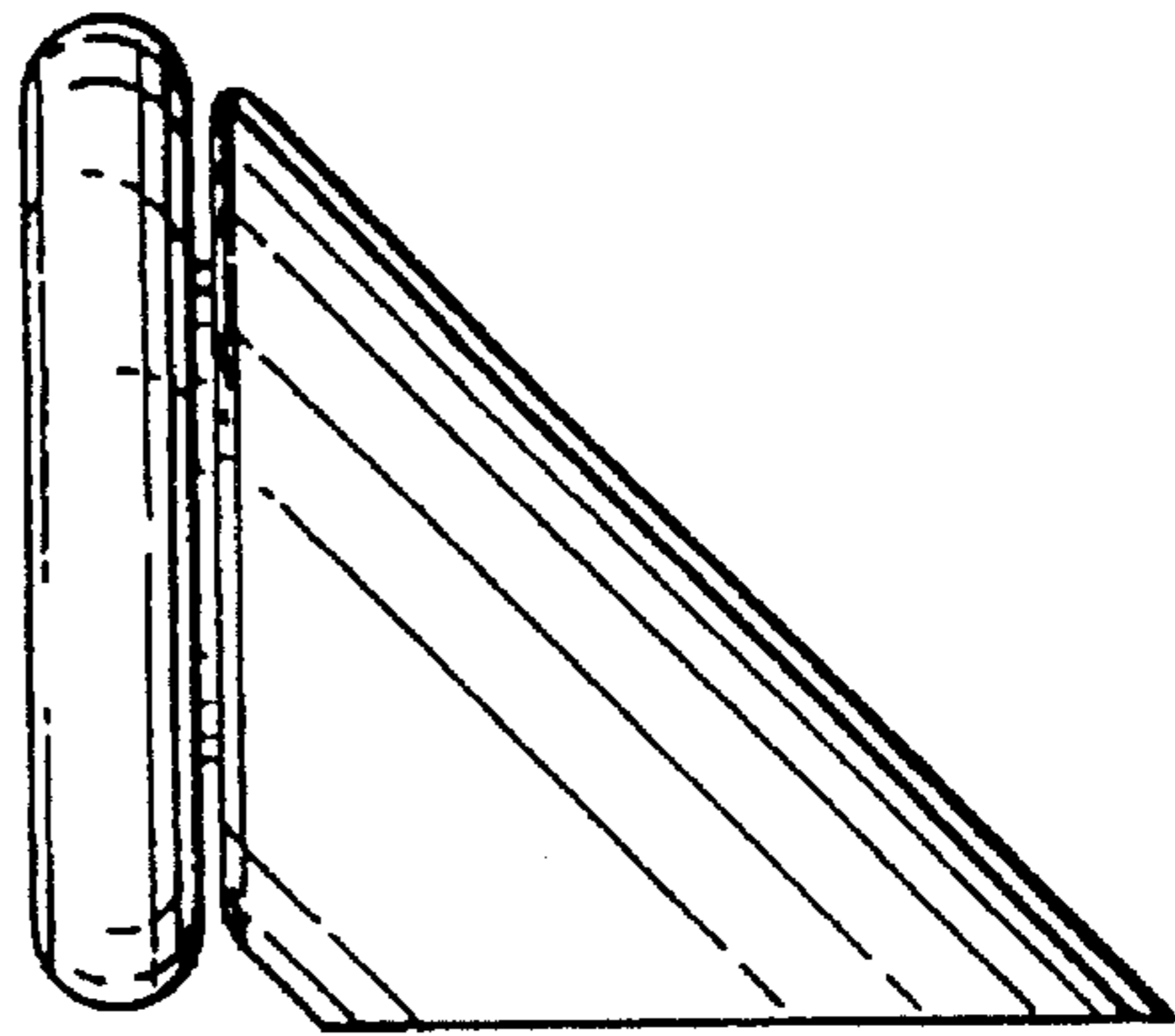
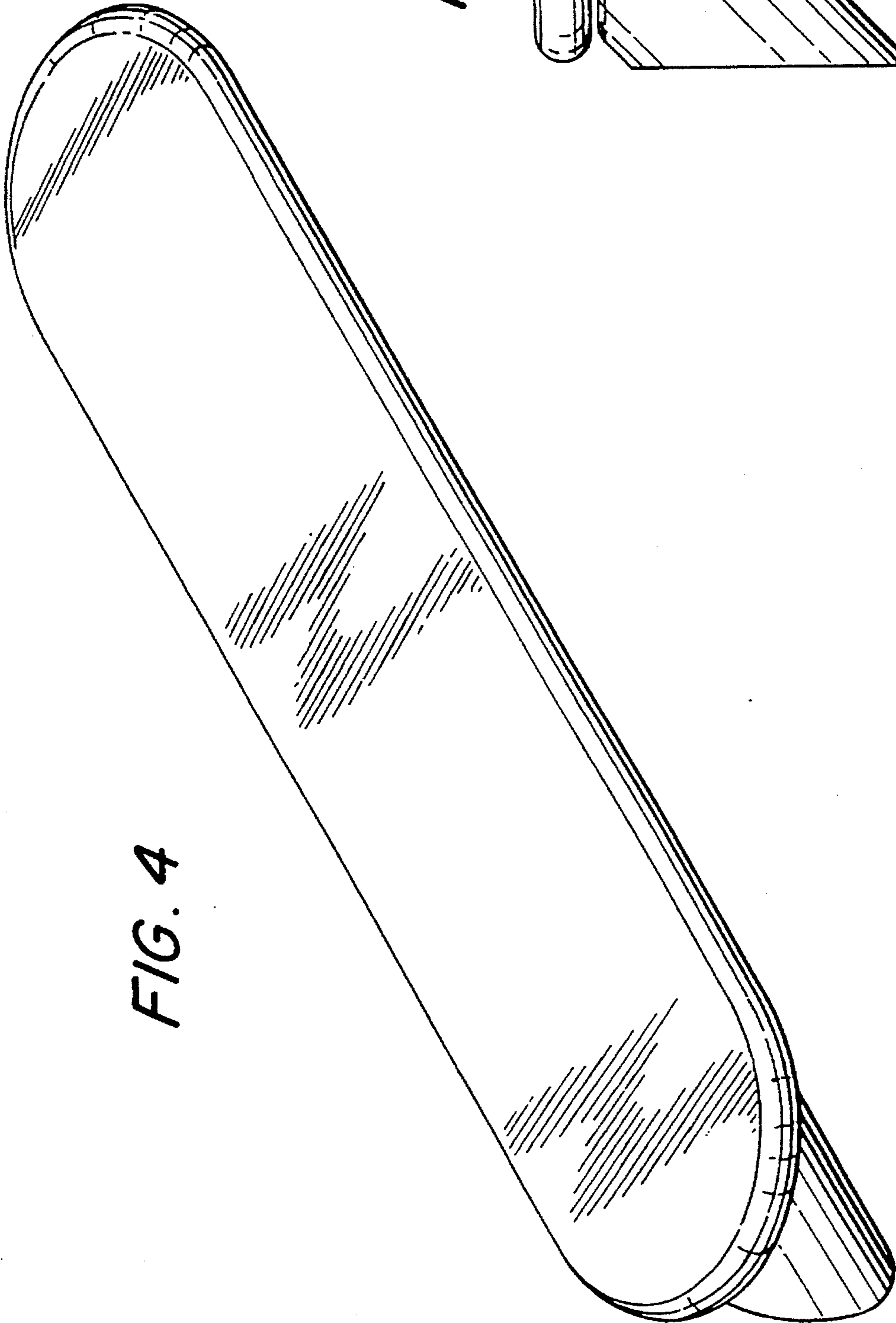
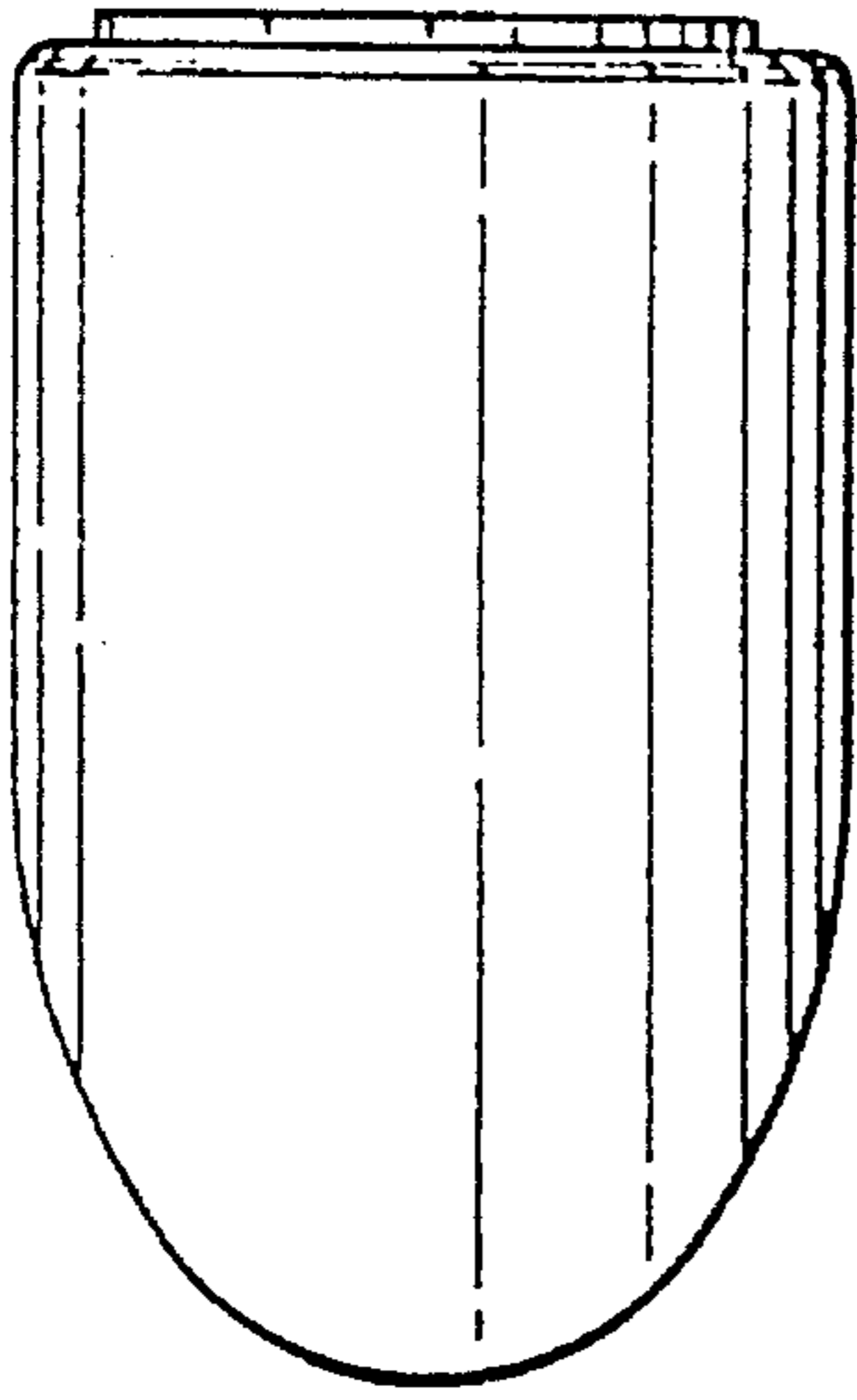


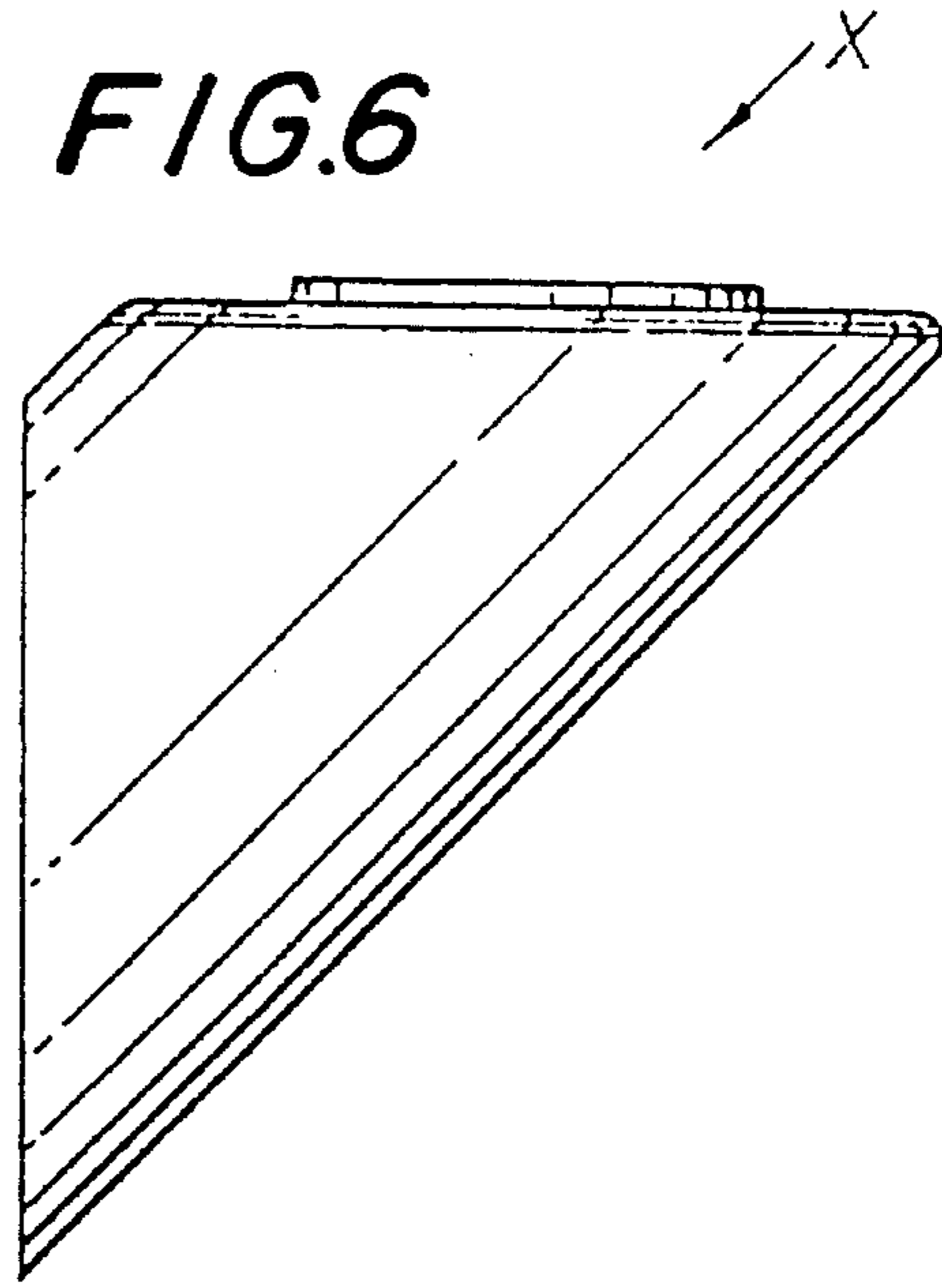
FIG. 4



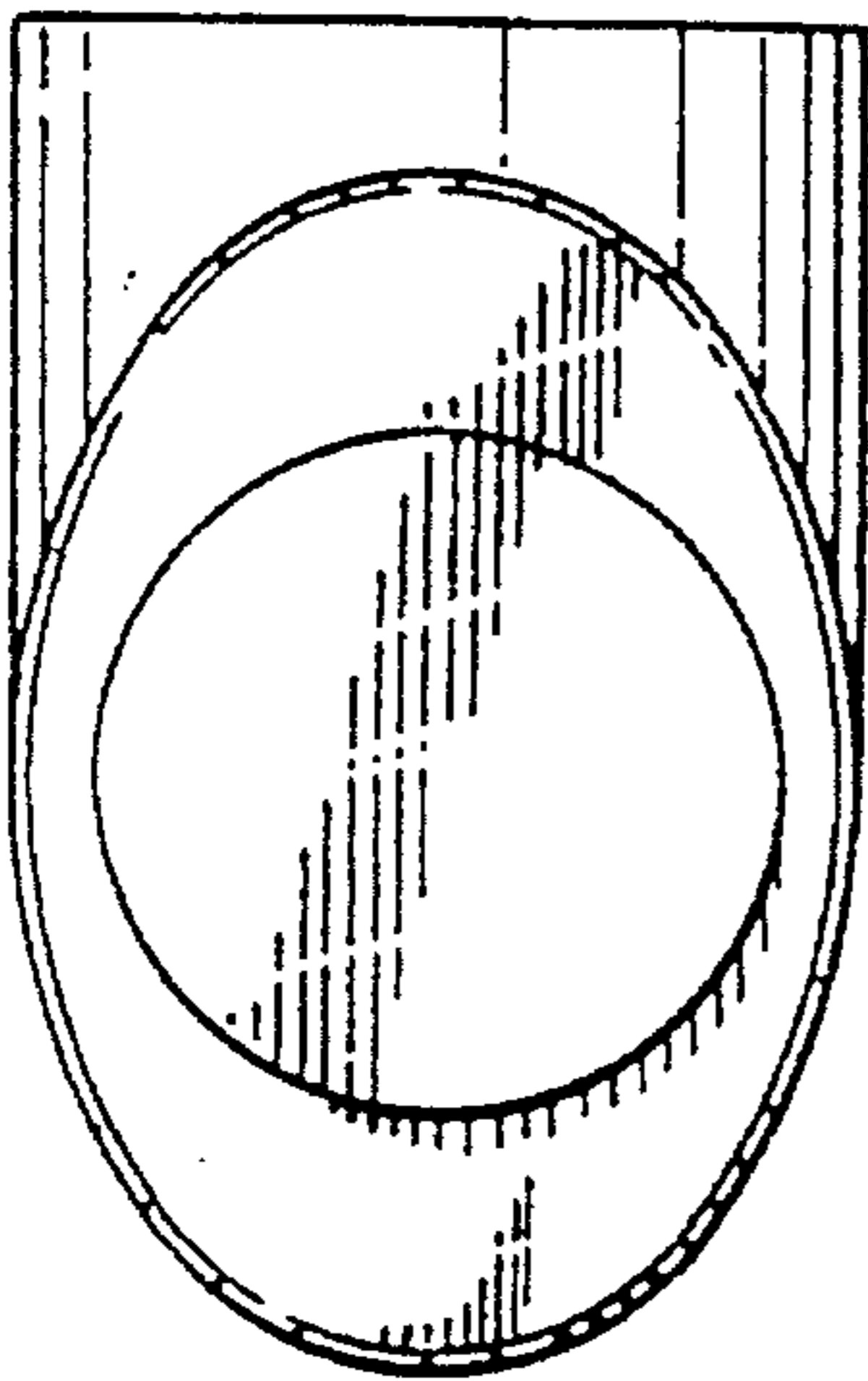
**FIG. 5**



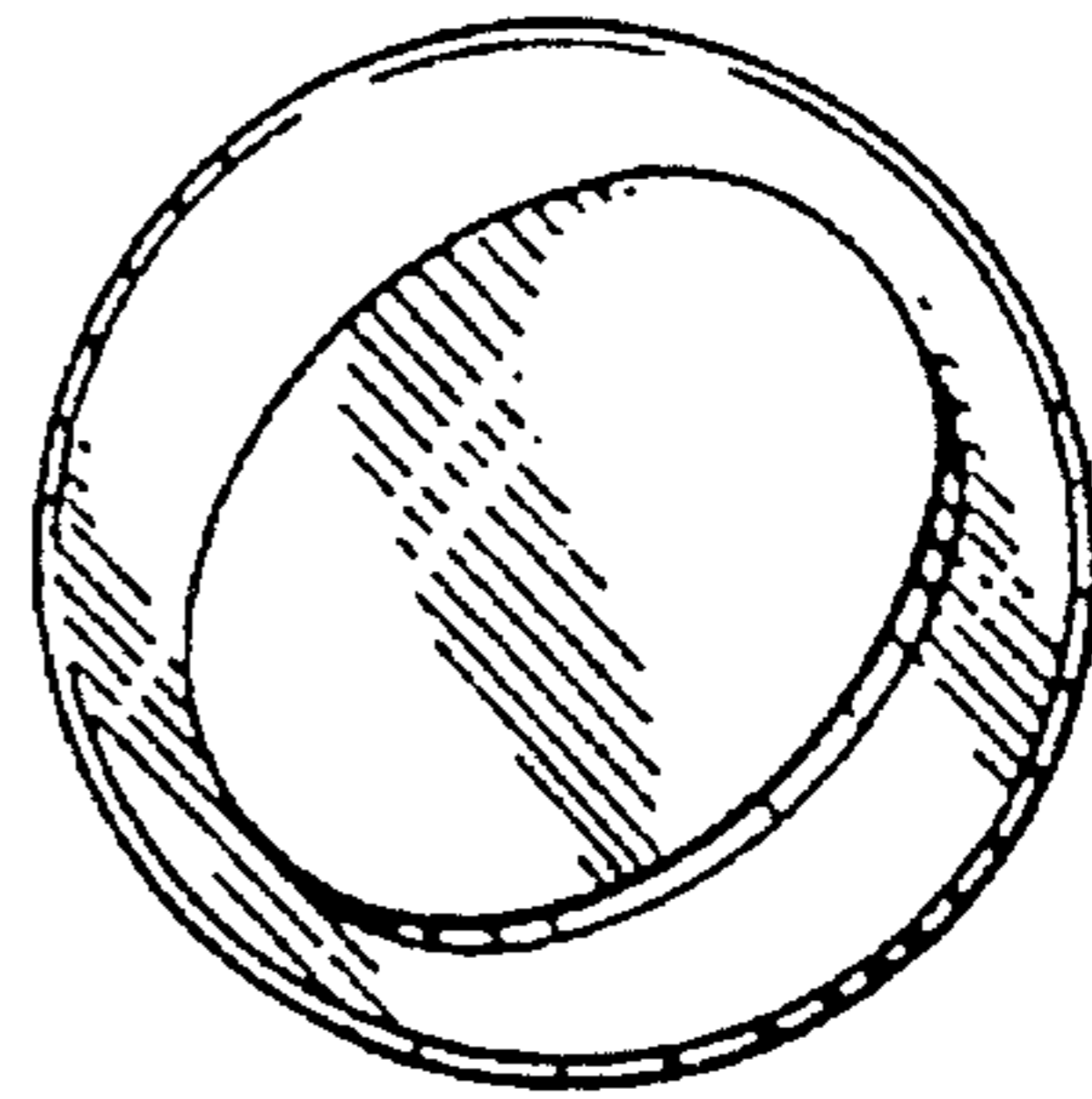
**FIG. 6**



**FIG. 7**



**FIG. 8**



**FIG. 9**

