



US00D375007S

United States Patent [19]
Erickson

[11] **Patent Number: Des. 375,007**
[45] **Date of Patent: **Oct. 29, 1996**

[54] **CUBE STAND**
[75] **Inventor: Kenneth D. Erickson, Anoka, Minn.**
[73] **Assignee: Team Vision, Inc., Anoka, Minn.**
[**] **Term: 14 Years**

D. 333,395	2/1993	Loznikov	D6/495
D. 340,744	10/1993	Van Eijben et al.	D19/75
3,440,748	4/1969	Hackley	40/592
3,771,246	11/1973	Ebner	40/720
4,688,343	8/1987	Allan	40/592
5,341,943	8/1994	Fraser	D6/407 X

[21] **Appl. No.: 29,693**
[22] **Filed: Oct. 13, 1994**
[52] **U.S. Cl. D6/495; D6/300; D6/301; D6/407**
[58] **Field of Search D6/480-489, 495, D6/475, 466, 300, 301, 302, 407, 631, 628, 632, 415, 455; 108/153, 161; D9/455; D21/108, 209; D19/75; 40/700, 711, 720, 734**

OTHER PUBLICATIONS

Arthur Salem Inc. 1974, Cube stand at bottom.
Exposures, Mothers' day 1990, p. 8, #A at top left.

Primary Examiner—Janice E. Seeger
Attorney, Agent, or Firm—Nawrocki, Rooney & Sivertson, P.A.

[56] **References Cited**

U.S. PATENT DOCUMENTS

D. 216,111	11/1969	Brosk	D6/363
D. 243,195	1/1977	Magnusson	D27/133 X
D. 253,529	11/1979	Yandt	D21/108 X
D. 259,519	6/1981	Magnusson	D27/133
D. 330,476	10/1992	Gerber	D6/486

[57] **CLAIM**

The ornamental design for a cube stand, as shown and described.

DESCRIPTION

FIG. 1 is a top perspective view of my design invention;
FIG. 2 is a bottom perspective view thereof;
FIG. 3 is a top plan view thereof;
FIG. 4 is a bottom plan view thereof; and,
FIG. 5 is a typical side elevational view, the broken lines being for environmental purposes only and form no part of the claimed design.

1 Claim, 2 Drawing Sheets

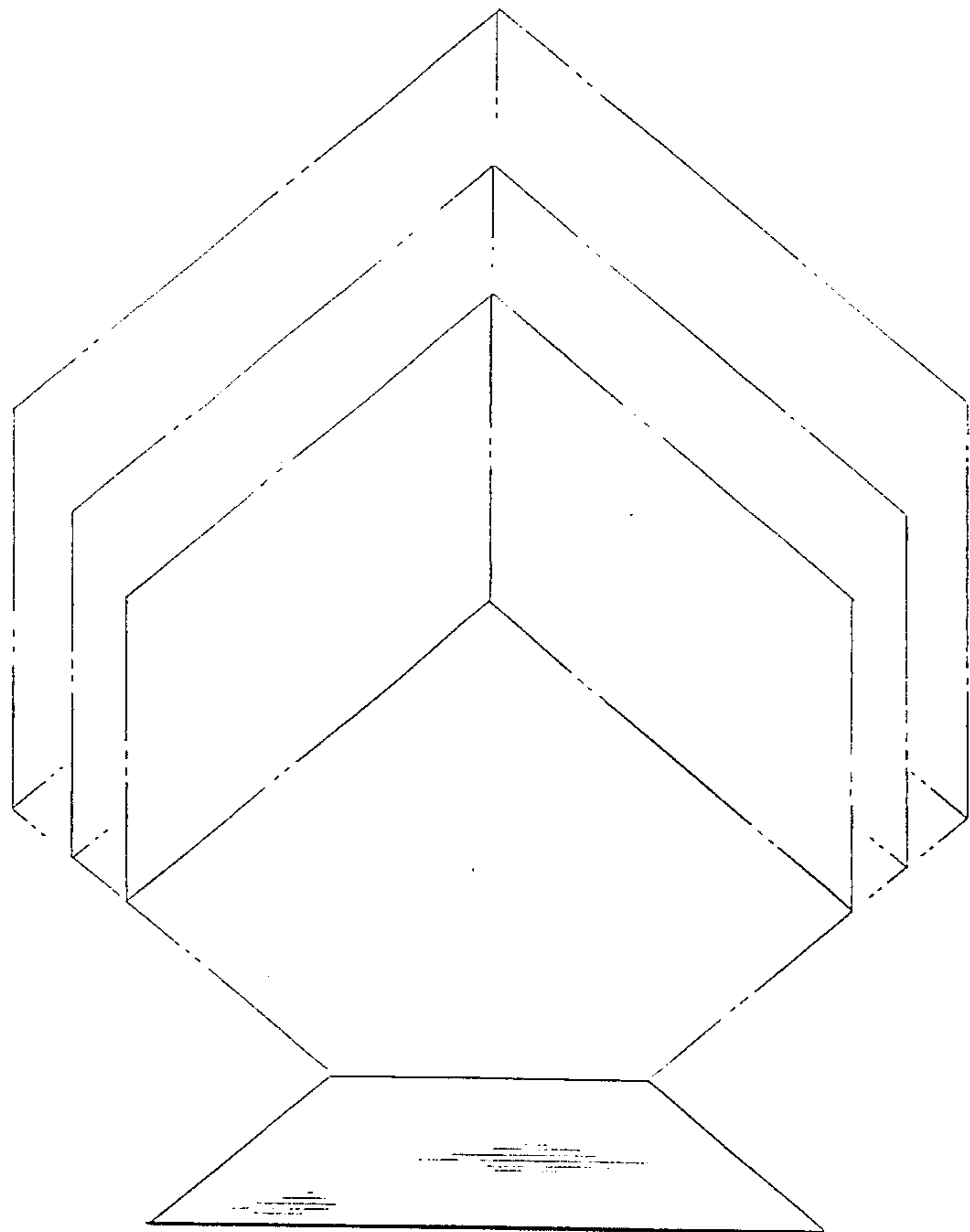
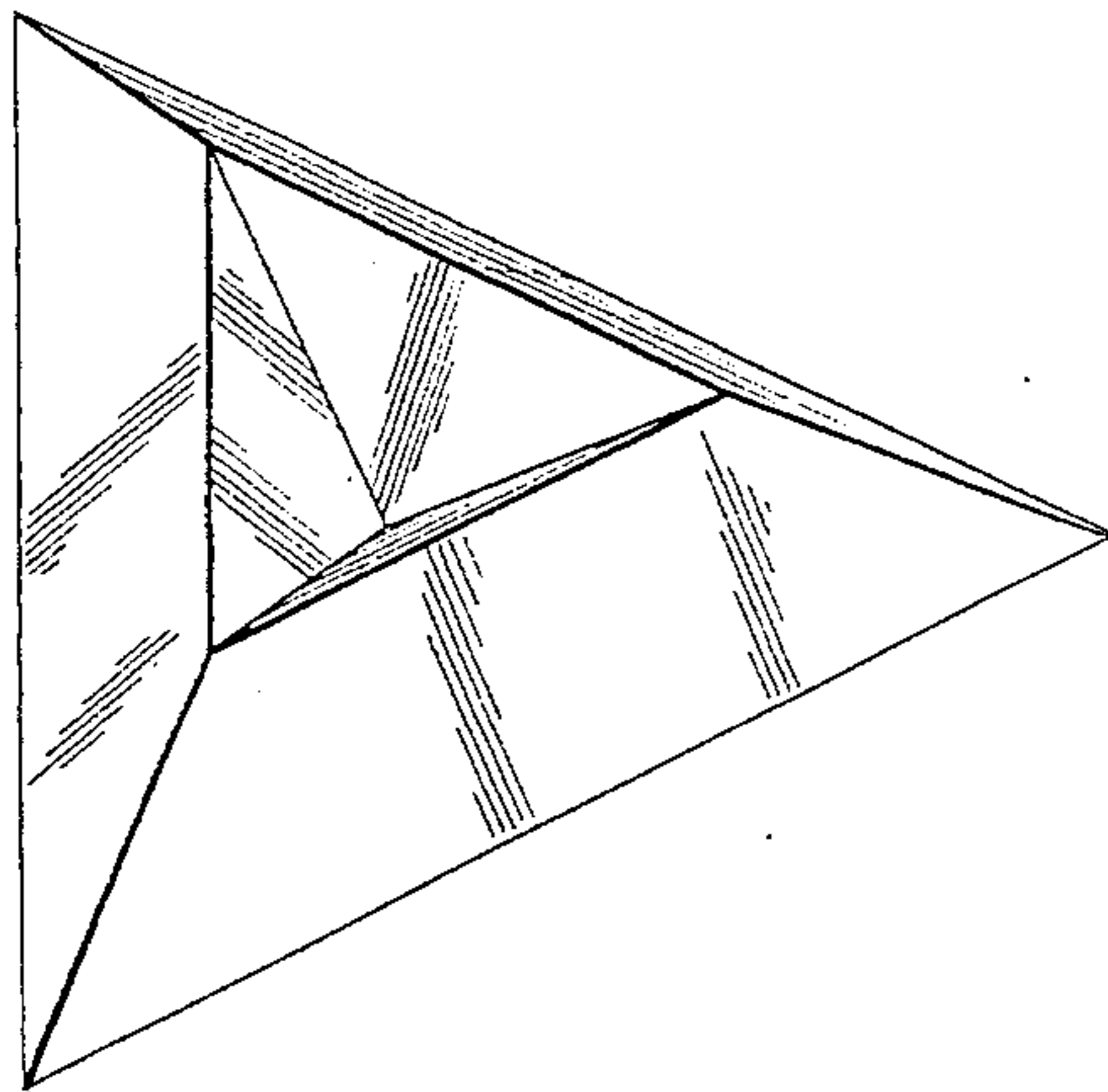


Fig. 1

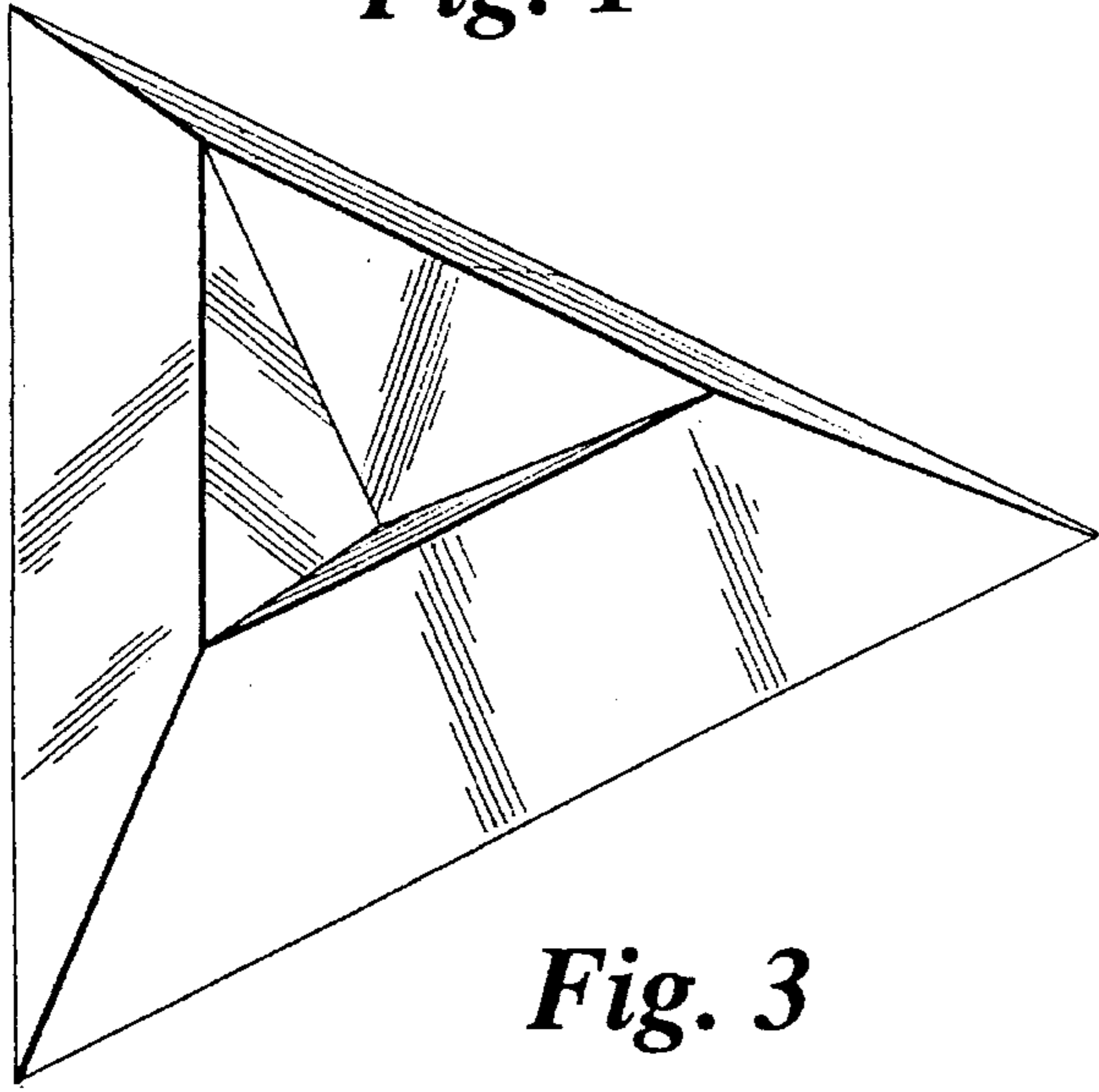


Fig. 2

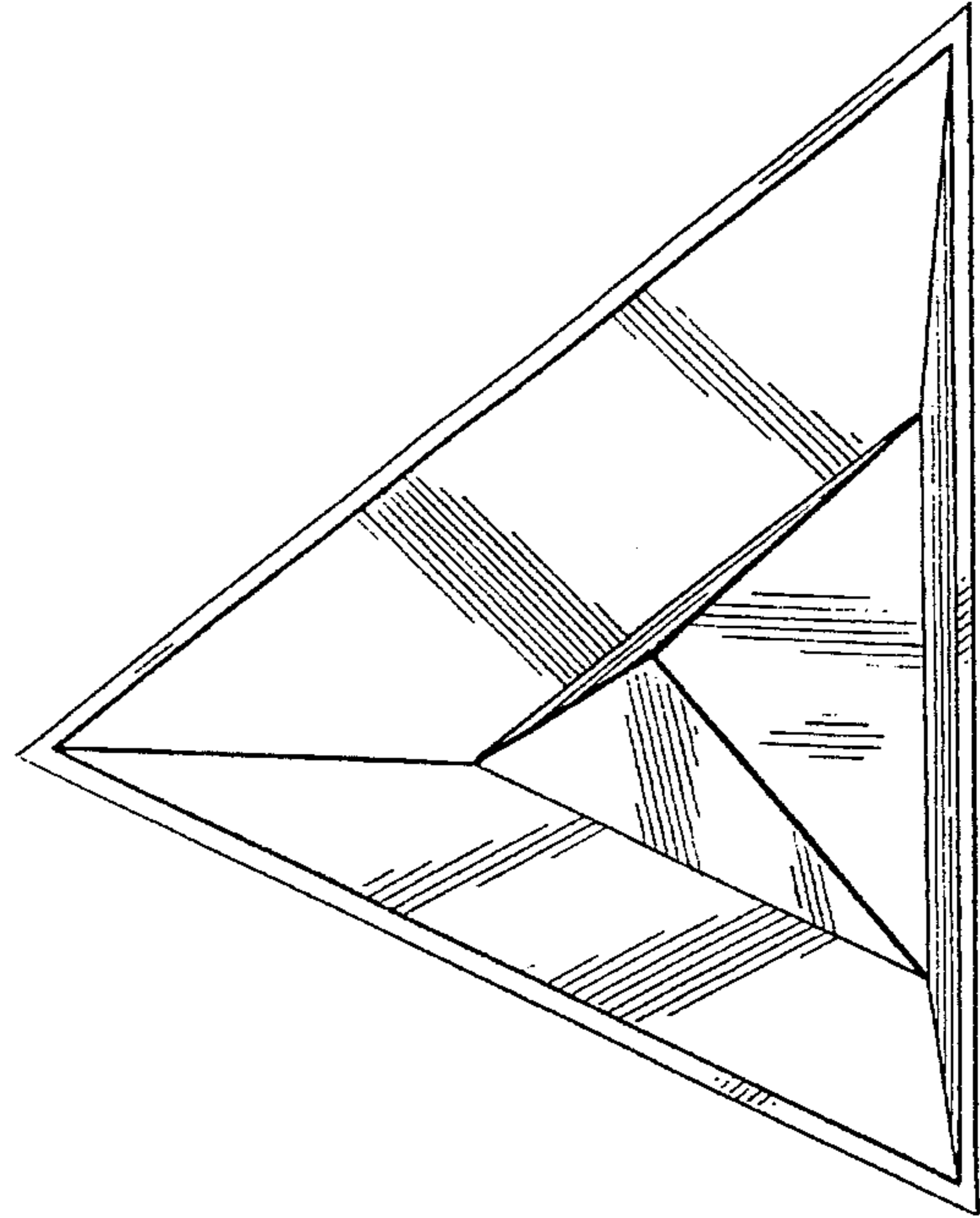


Fig. 3

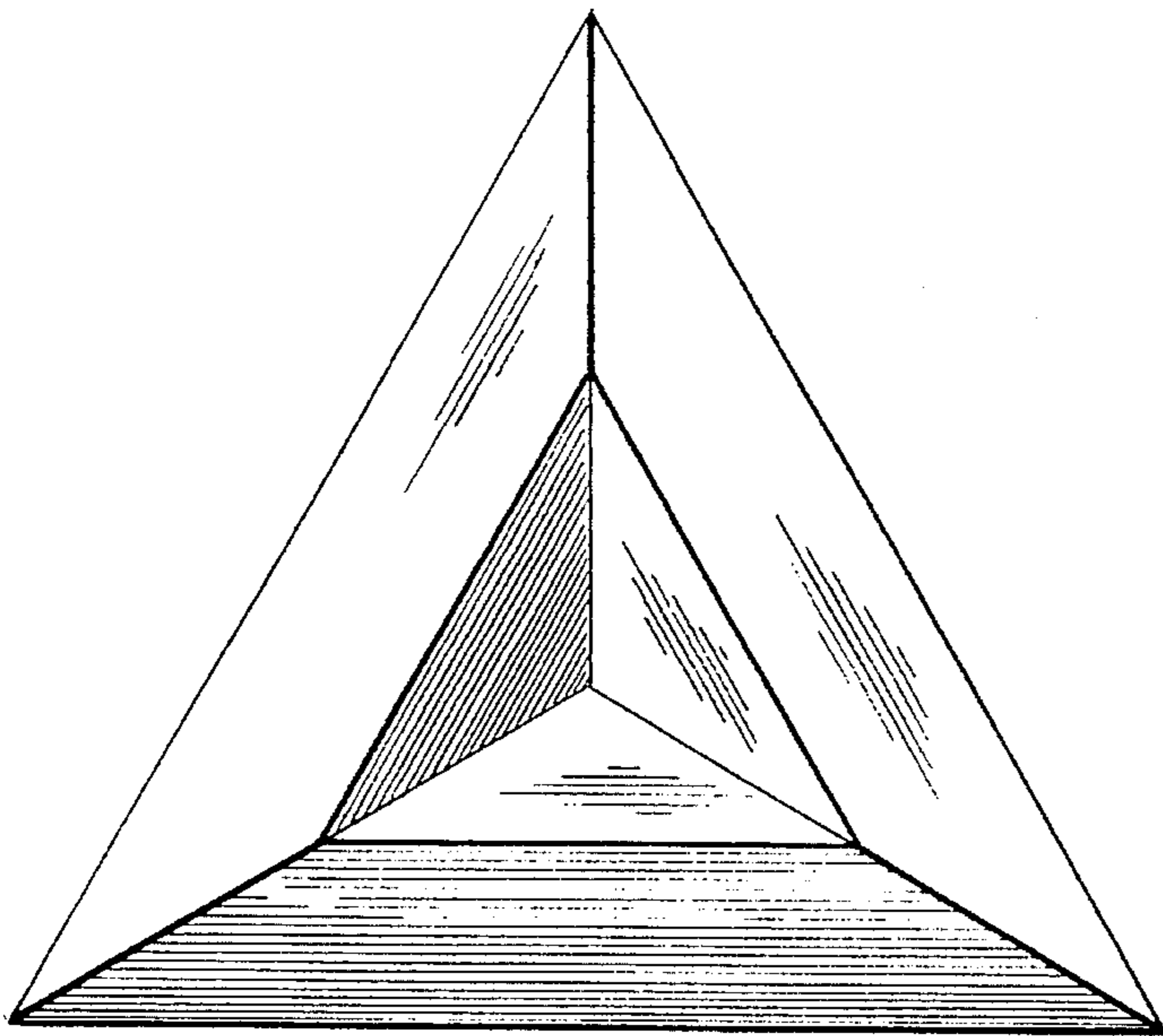


Fig. 4

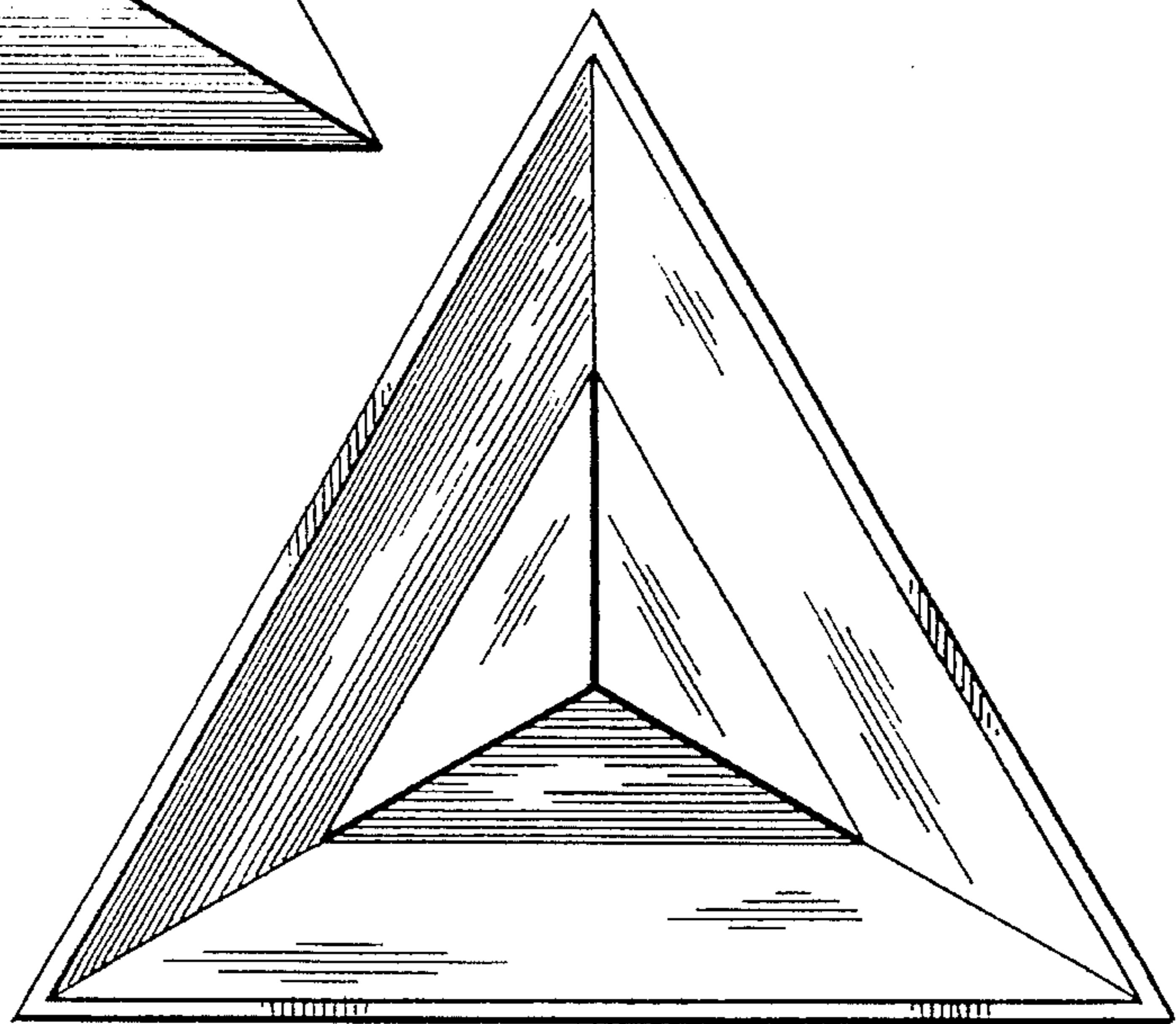


Fig. 5

