



US00D375004S

# United States Patent [19]

Josefsson

[11] Patent Number: **Des. 375,004**

[45] Date of Patent: **\*\*Oct. 29, 1996**

[54] TABLE

[76] Inventor: **Anders Josefsson**, PR Data i Molndal  
AB Box 73, S-430 30 Frillesas, Sweden

[\*\*] Term: **14 Years**

[21] Appl. No.: **36,990**

[22] Filed: **Mar. 31, 1995**

[52] U.S. Cl. .... **D6/477**

[58] Field of Search ..... D6/422, 423, 447,  
D6/478, 479, 569, 571, 573, 425, 426,  
427; 312/7.2, 107; 108/59, 93; 211/126,  
133

[56] **References Cited**

### U.S. PATENT DOCUMENTS

D. 156,680	12/1949	Stitt	.....	D6/422
D. 216,712	3/1970	Cooper	.....	D6/422
3,806,220	4/1974	Payne	.....	211/126 X
4,206,955	6/1980	Cooper	.....	312/107
4,472,009	9/1984	Bell	.....	312/107 X
4,541,343	9/1985	Erard	.....	312/7.2 X

### FOREIGN PATENT DOCUMENTS

64256	4/1914	Australia	.....	108/93
1270386	7/1961	France	.....	108/93
864913	1/1953	Germany	.....	211/134

*Primary Examiner*—James M. Gandy  
*Assistant Examiner*—Linda Brooks  
*Attorney, Agent, or Firm*—Howson and Howson

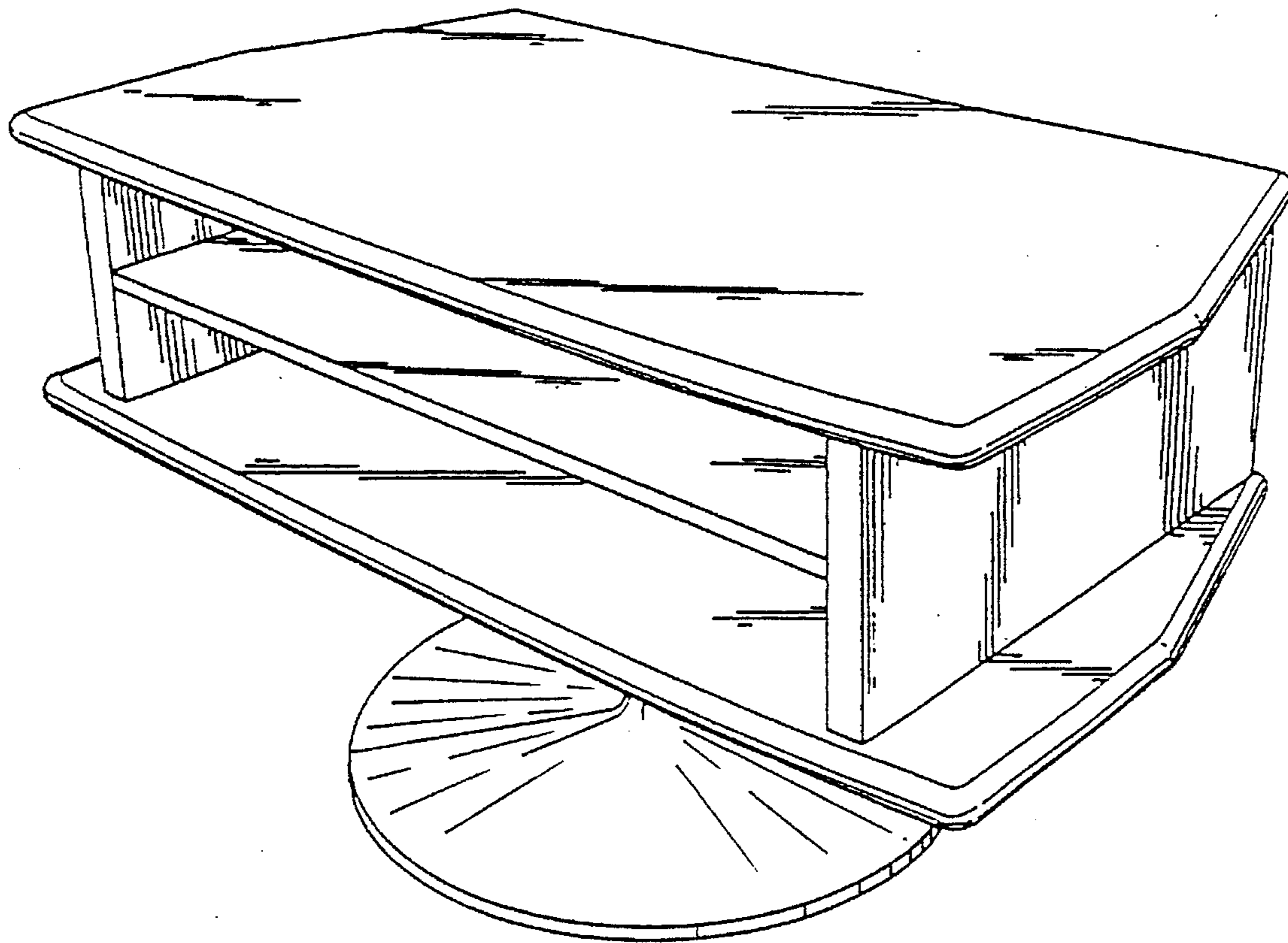
[57] **CLAIM**

The ornamental design for a table, as shown and described.

### DESCRIPTION

FIG. 1 is a front perspective view of a table, showing my new design;  
FIG. 2 is a perspective view thereof, as seen from a location to the left, to the rear and below FIG. 1;  
FIG. 3 is a perspective view thereof, as seen from a location to the right, to the front, and above FIG. 1; and,  
FIG. 4 is a perspective view thereof, as seen from a location to the left, to the front, and above FIG. 1.

**1 Claim, 2 Drawing Sheets**



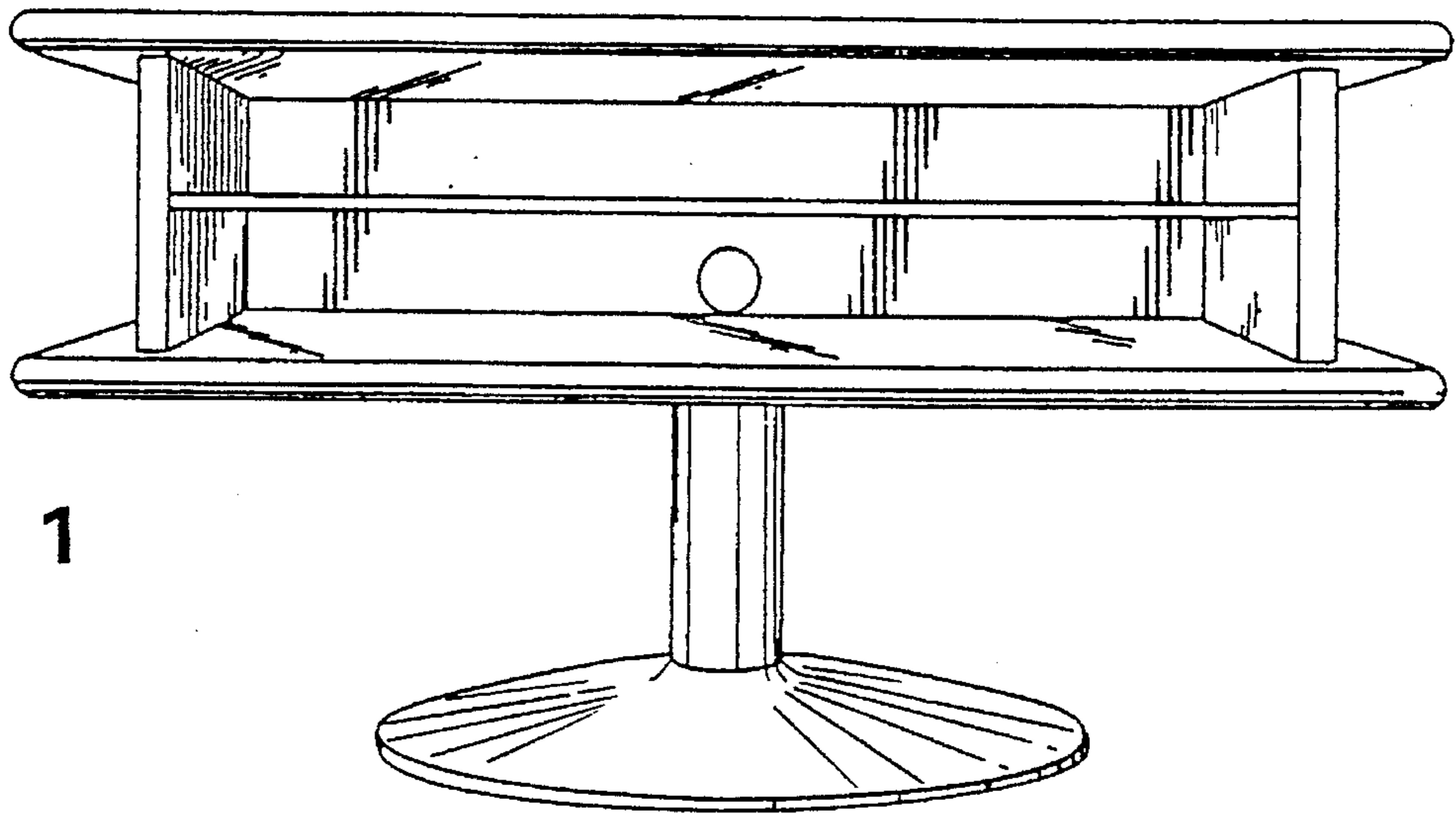


FIG. 1

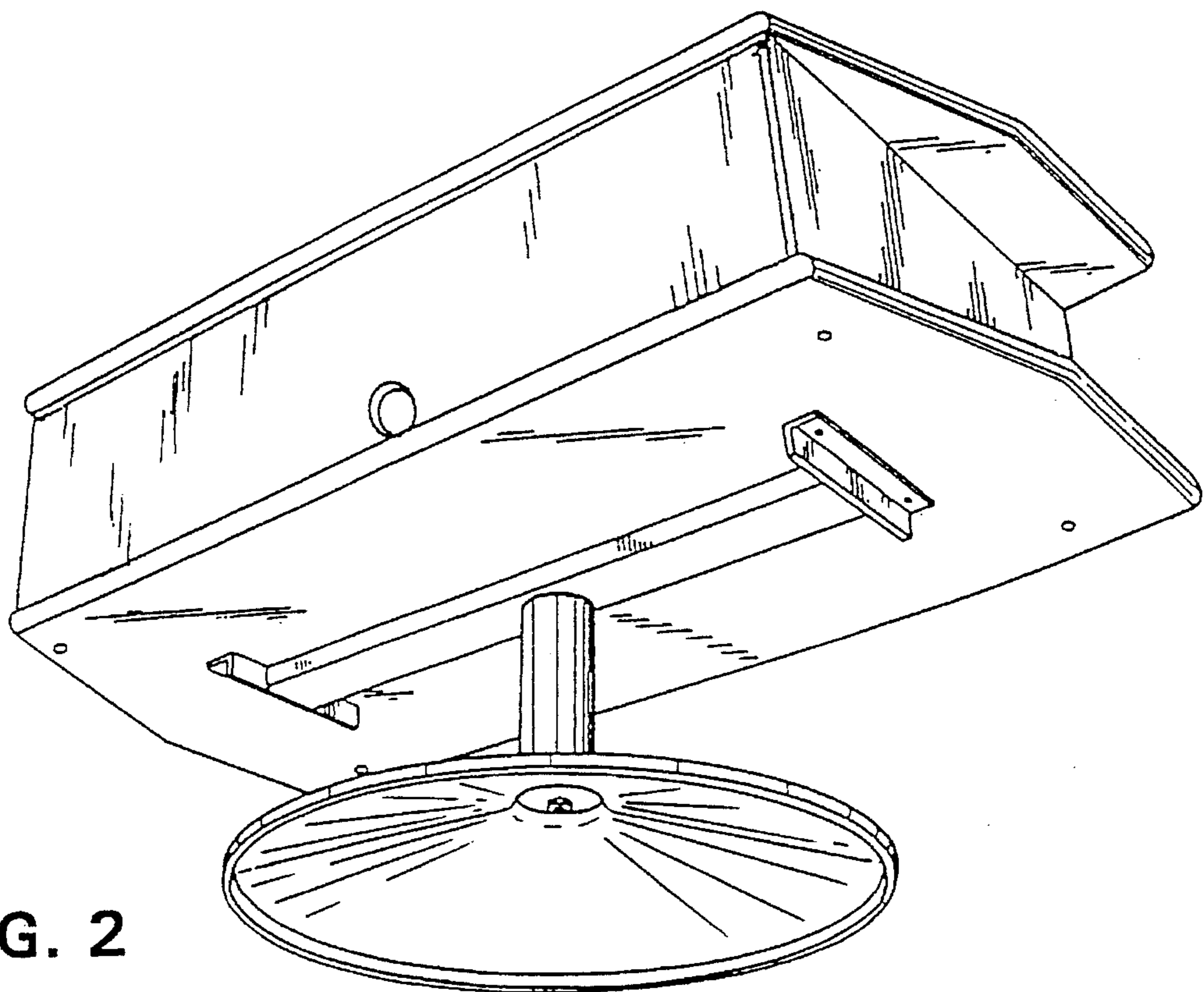


FIG. 2

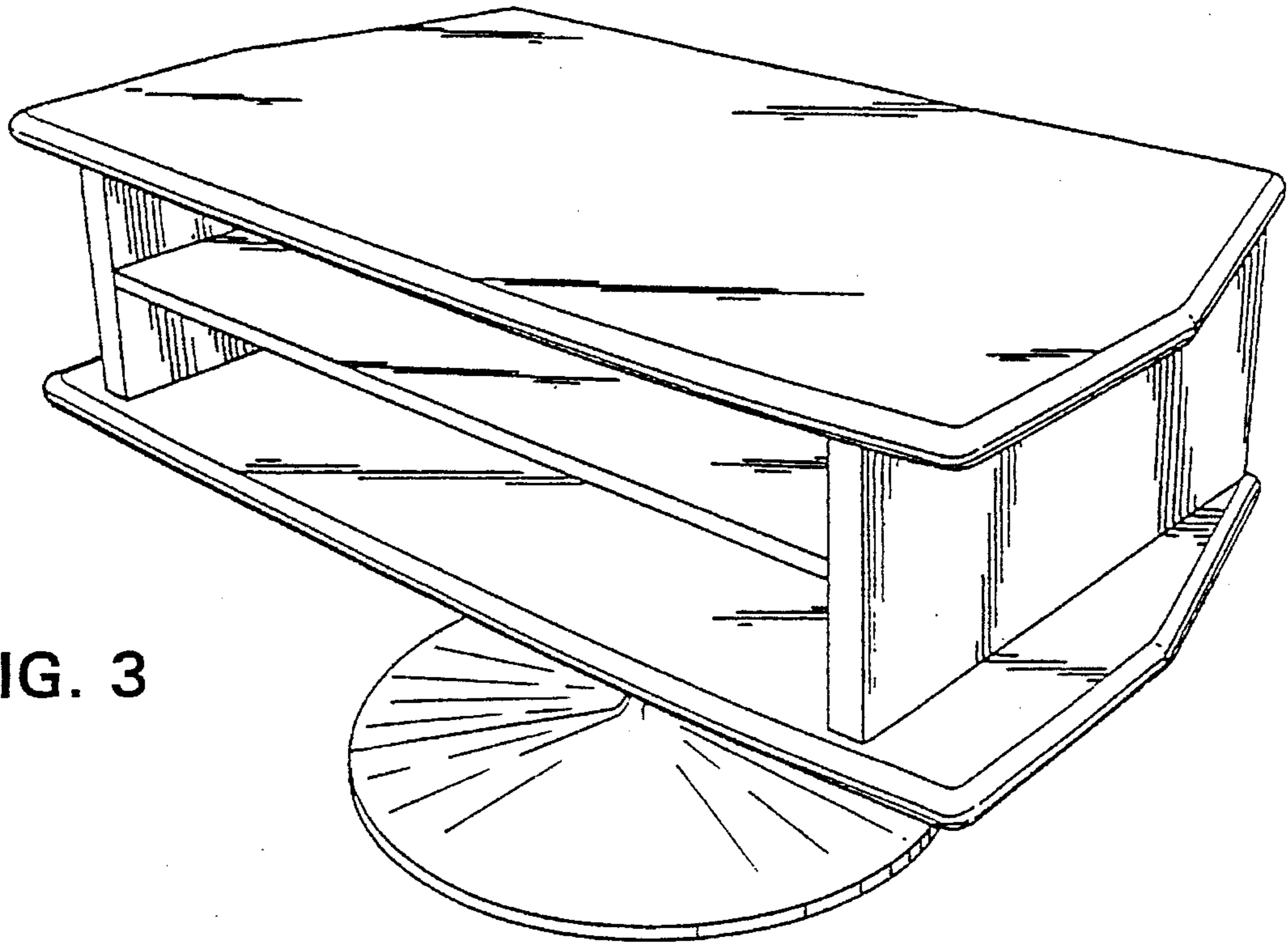


FIG. 3

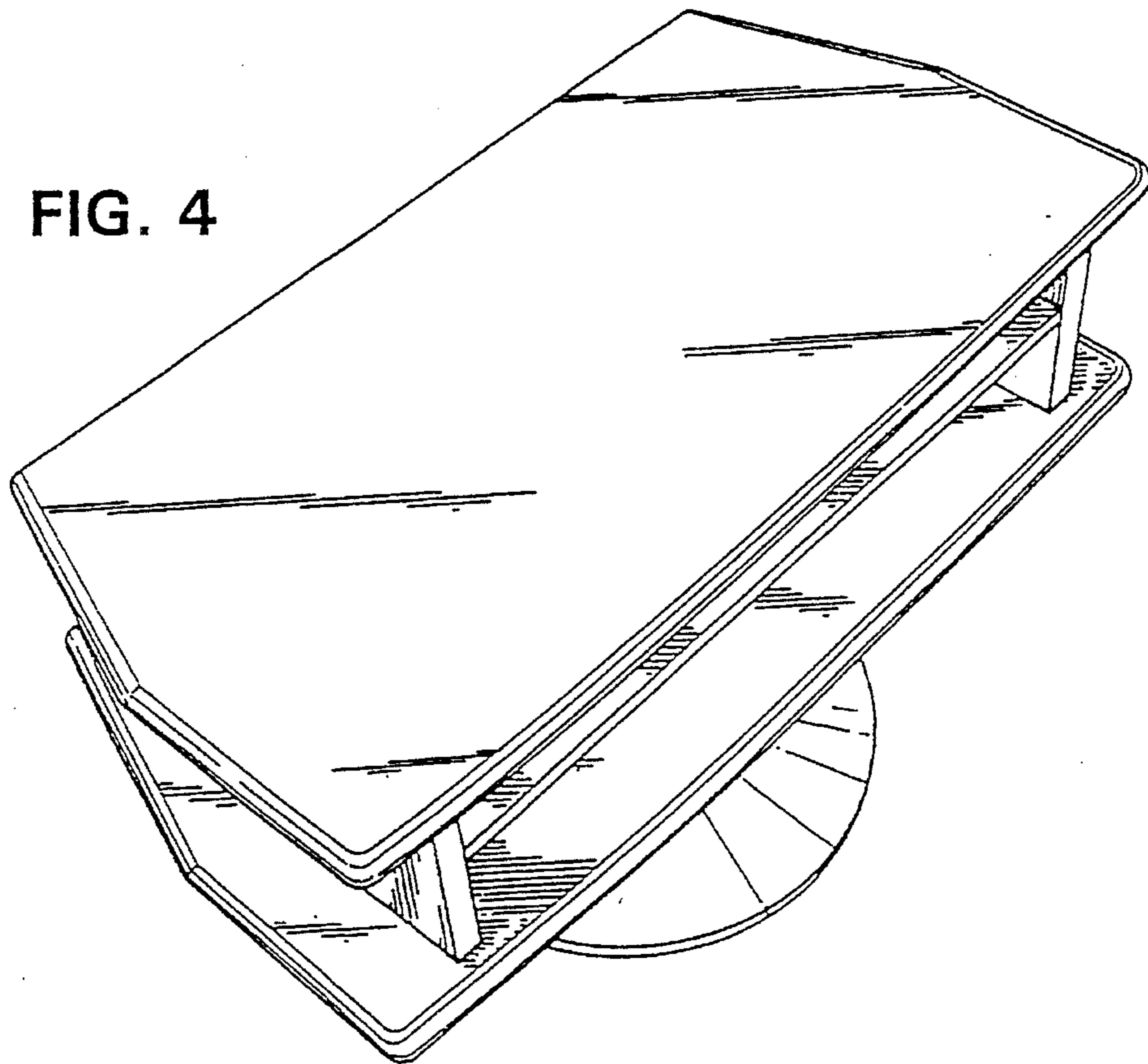


FIG. 4