



US00D374996S

United States Patent [19]

Noniewicz

[11] Patent Number: **Des. 374,996**

[45] Date of Patent: ****Oct. 29, 1996**

[54] **WORK BENCH**

[75] Inventor: **Zbigniew Noniewicz**, Kempenich, Germany

[73] Assignee: **Wolfcraft GmbH**, Weibern, Germany

[**] Term: **14 Years**

[21] Appl. No.: **28,565**

[22] Filed: **Sep. 19, 1994**

[52] U.S. Cl. **D6/400; D6/429**

[58] Field of Search D6/400, 429-431; D25/62, 67; 269/16, 139, 152, 155; 144/285, 286 R, 286 A, 287, 288

[56] **References Cited**

U.S. PATENT DOCUMENTS

- D. 250,079 10/1978 Hickman et al. D6/400
- D. 253,212 10/1979 Maruscak et al. D6/400
- D. 256,533 8/1980 Alessio D6/400

- D. 256,641 9/1980 Wilson et al. D6/400
- 4,252,304 2/1981 Pettican 269/139
- 4,278,243 7/1981 Alessio 269/16

Primary Examiner—Carmen H. Vales-Lado
Attorney, Agent, or Firm—Antonelli, Terry, Stout & Kraus

[57] **CLAIM**

The ornamental design for a work bench, as shown and described.

DESCRIPTION

FIG. 1 is a front elevational view of a work bench showing my new design;
 FIG. 2 is a rear elevational view thereof;
 FIG. 3 is a right end elevational view thereof;
 FIG. 4 is a left end elevational view thereof;
 FIG. 5 is a top plan view thereof;
 FIG. 6 is a bottom plan view thereof; and,
 FIG. 7 is a perspective view thereof.

1 Claim, 7 Drawing Sheets

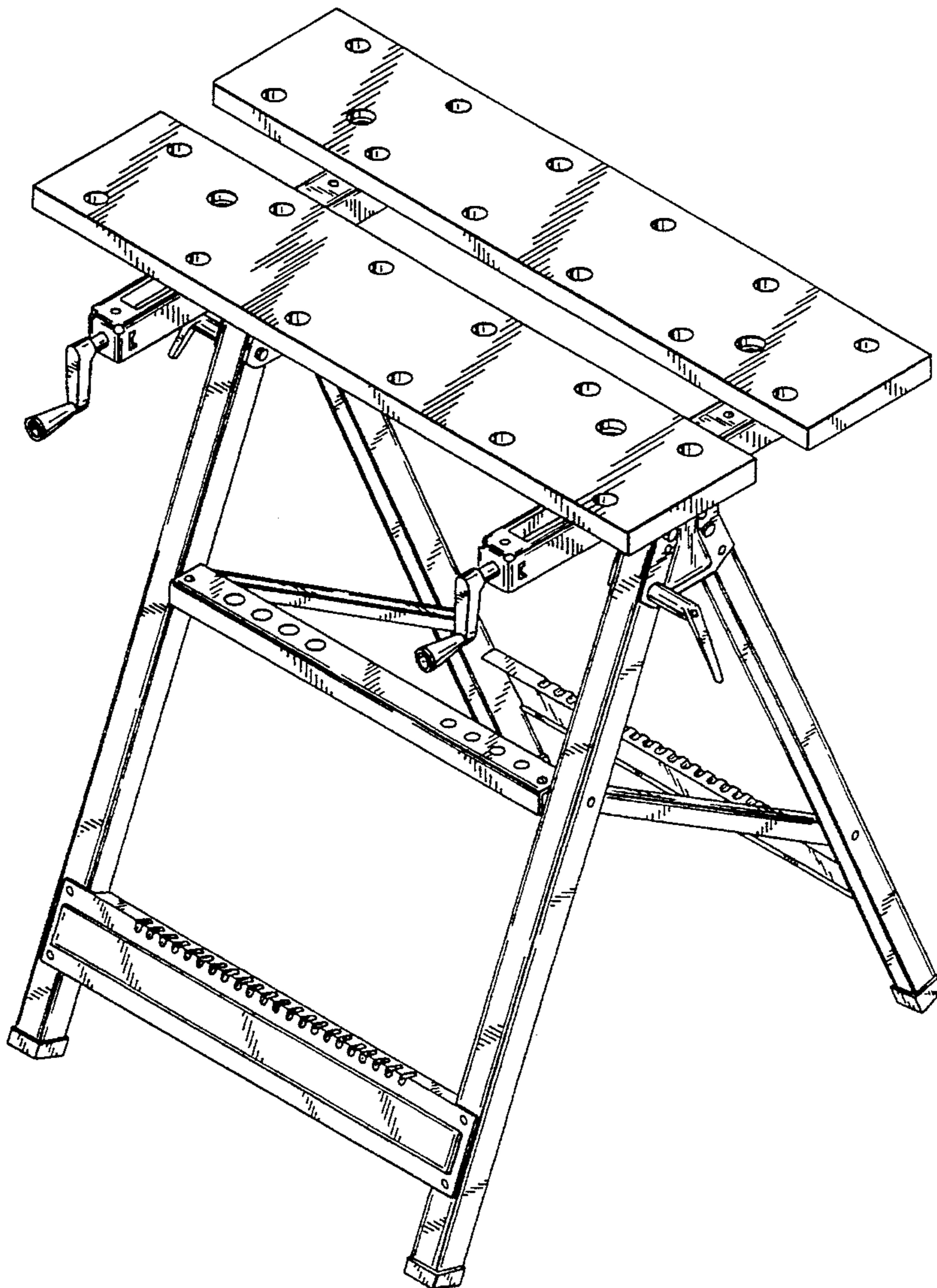


FIG. 1

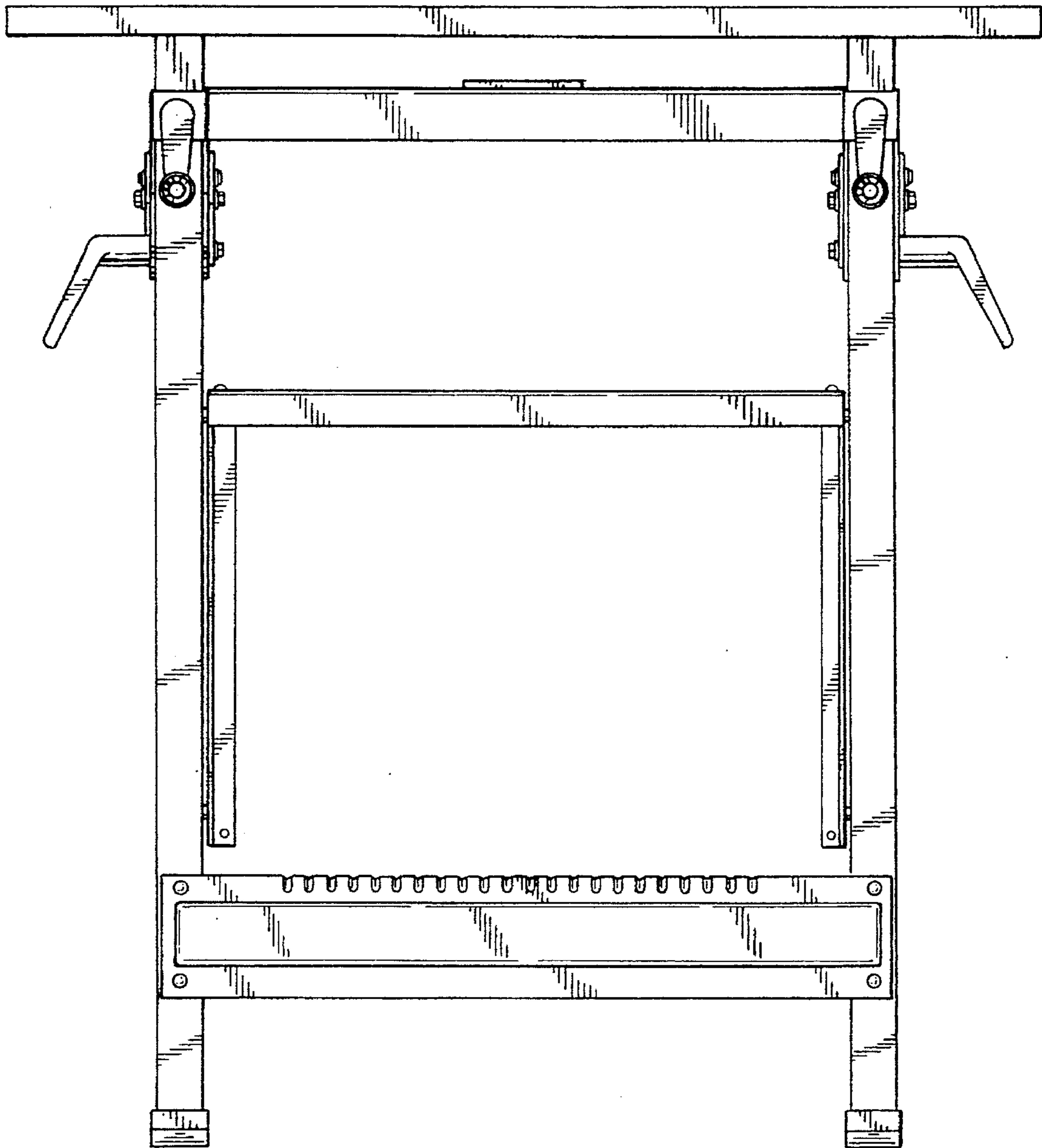


FIG. 2

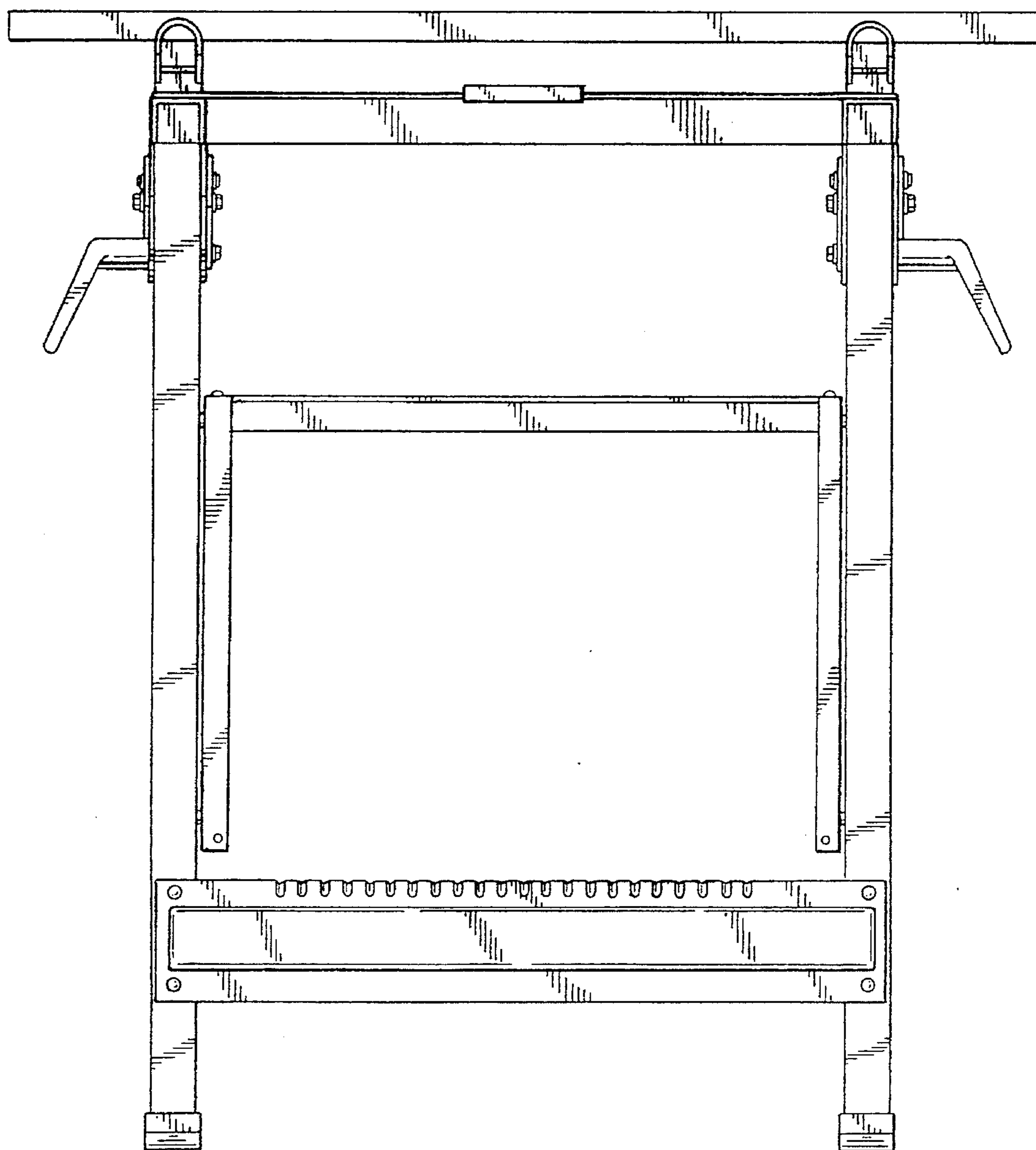


FIG. 3

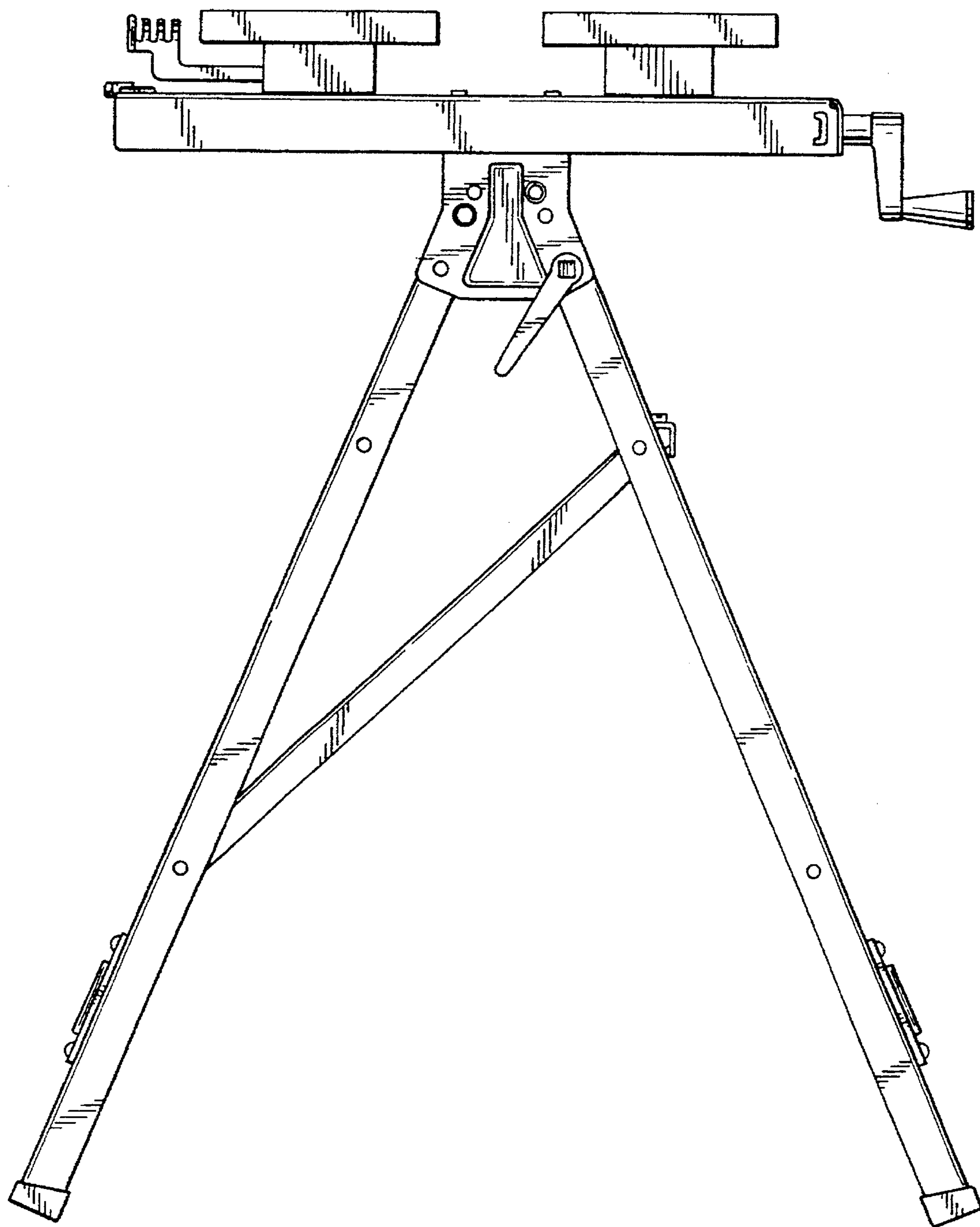


FIG. 4

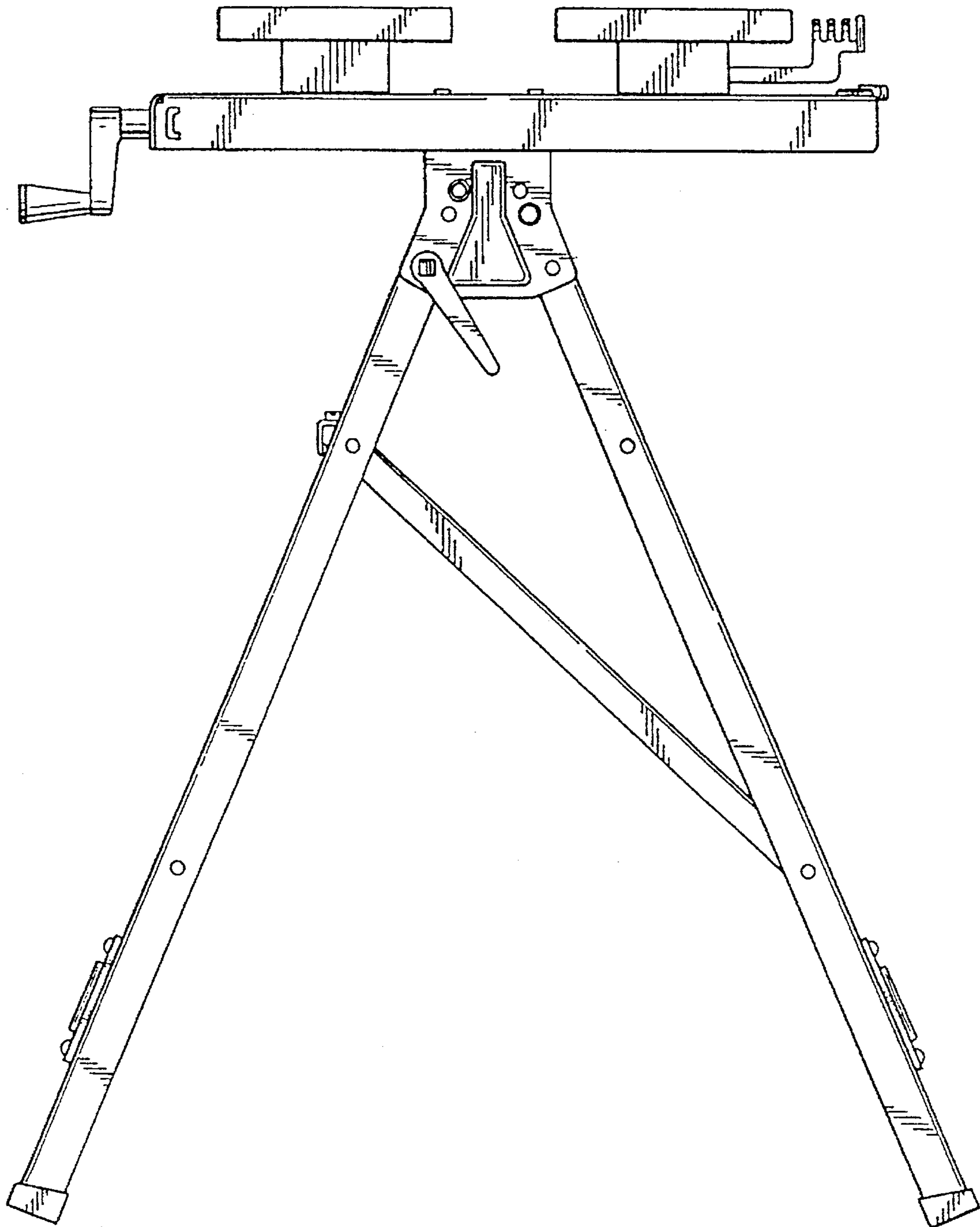


FIG. 5

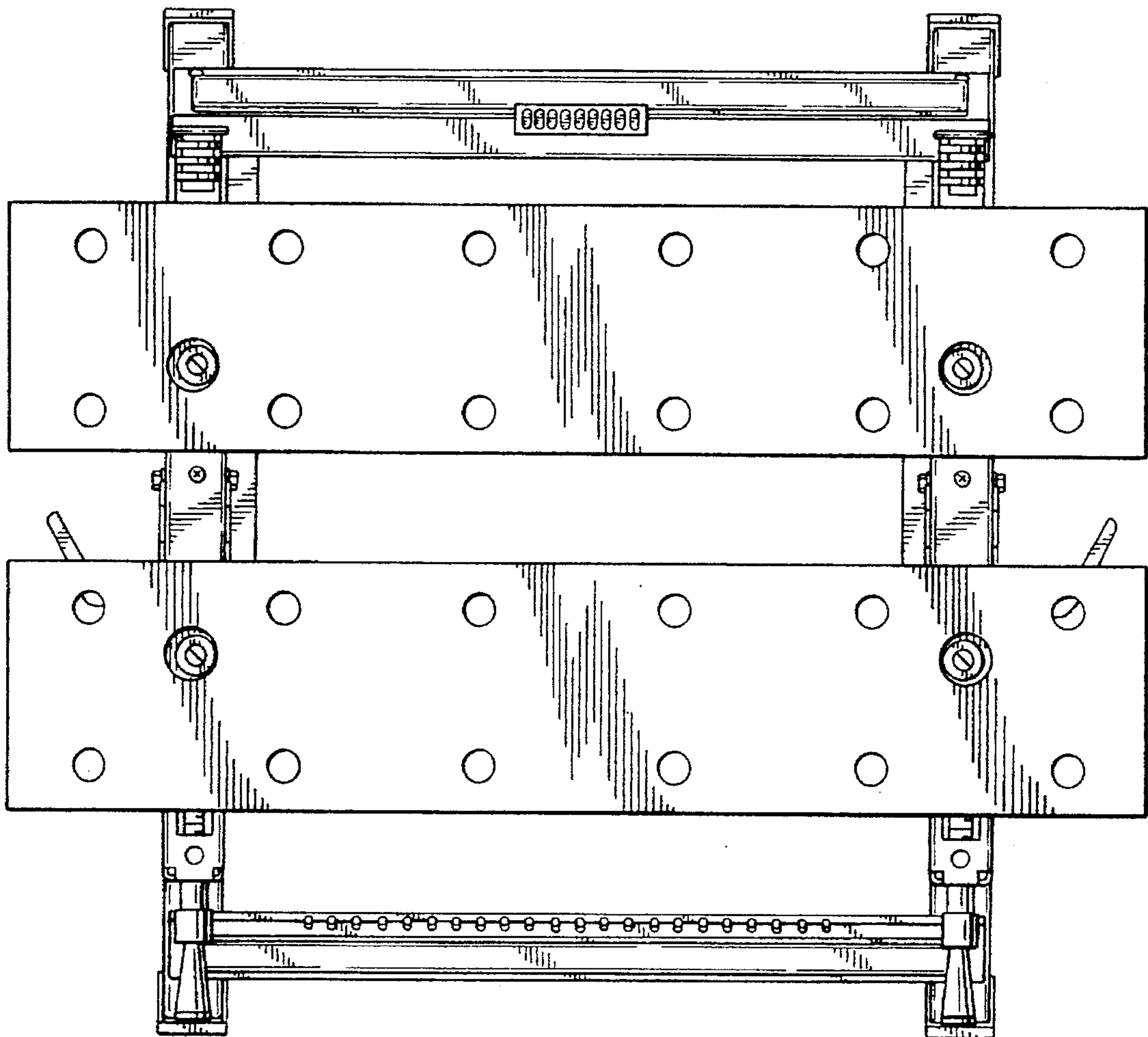


FIG. 6

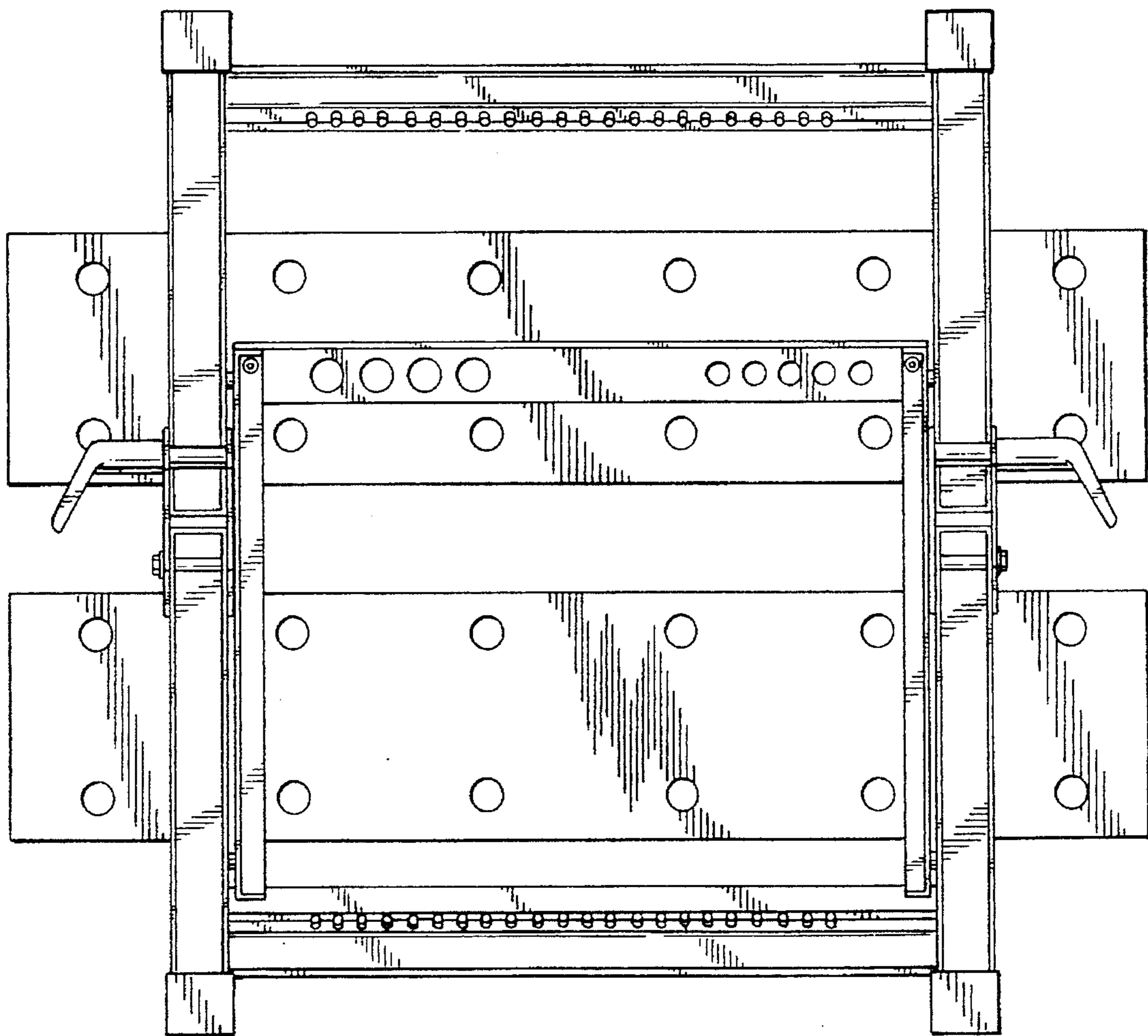


FIG. 7

