



US00D374995S

United States Patent [19]

Graham et al.

[11] Patent Number: **Des. 374,995**

[45] Date of Patent: ****Oct. 29, 1996**

[54] **CHAIR**

[75] Inventors: **Anna Graham, LaSalle; Daniel Hofgartner, Windsor, both of Canada**

[73] Assignee: **Peter Anthony Design Ltd., Canada**

[**] Term: **14 Years**

[21] Appl. No.: **47,039**

[22] Filed: **Nov. 27, 1995**

[52] U.S. Cl. **D6/380**

[58] Field of Search D6/334, 335, 370,
D6/374, 376, 379, 380, 500, 501, 502;
297/446.1

[56] **References Cited**

U.S. PATENT DOCUMENTS

D. 18,833 1/1889 Matzen D6/335

D. 180,358 5/1957 Cohen D6/380
D. 233,969 12/1974 Katoda D6/380
D. 235,396 6/1975 Onoguchi D6/380
D. 266,813 11/1982 Welch D6/500

Primary Examiner—Gary D. Watson
Attorney, Agent, or Firm—Dykema Gossett PLLC

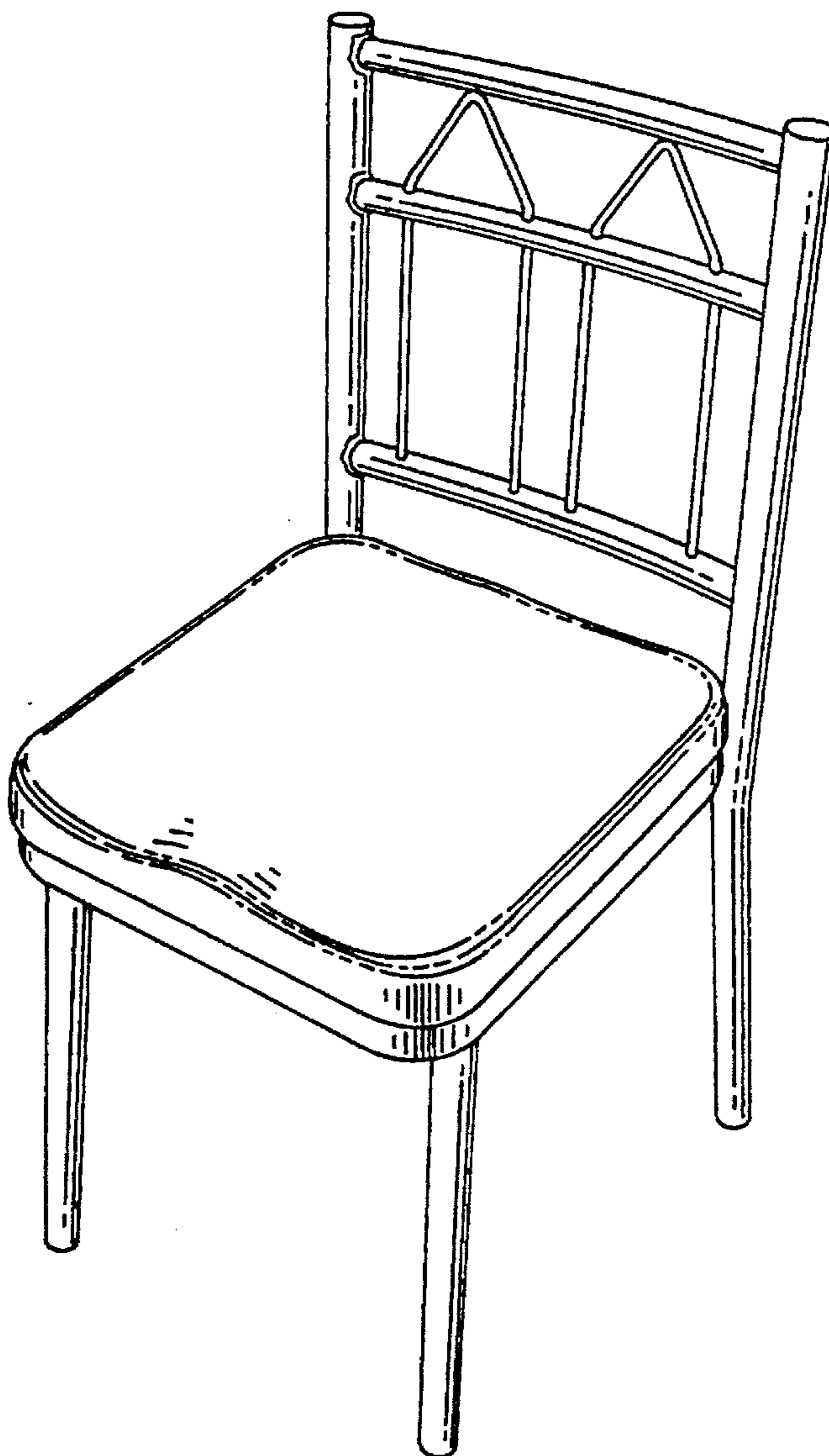
[57] **CLAIM**

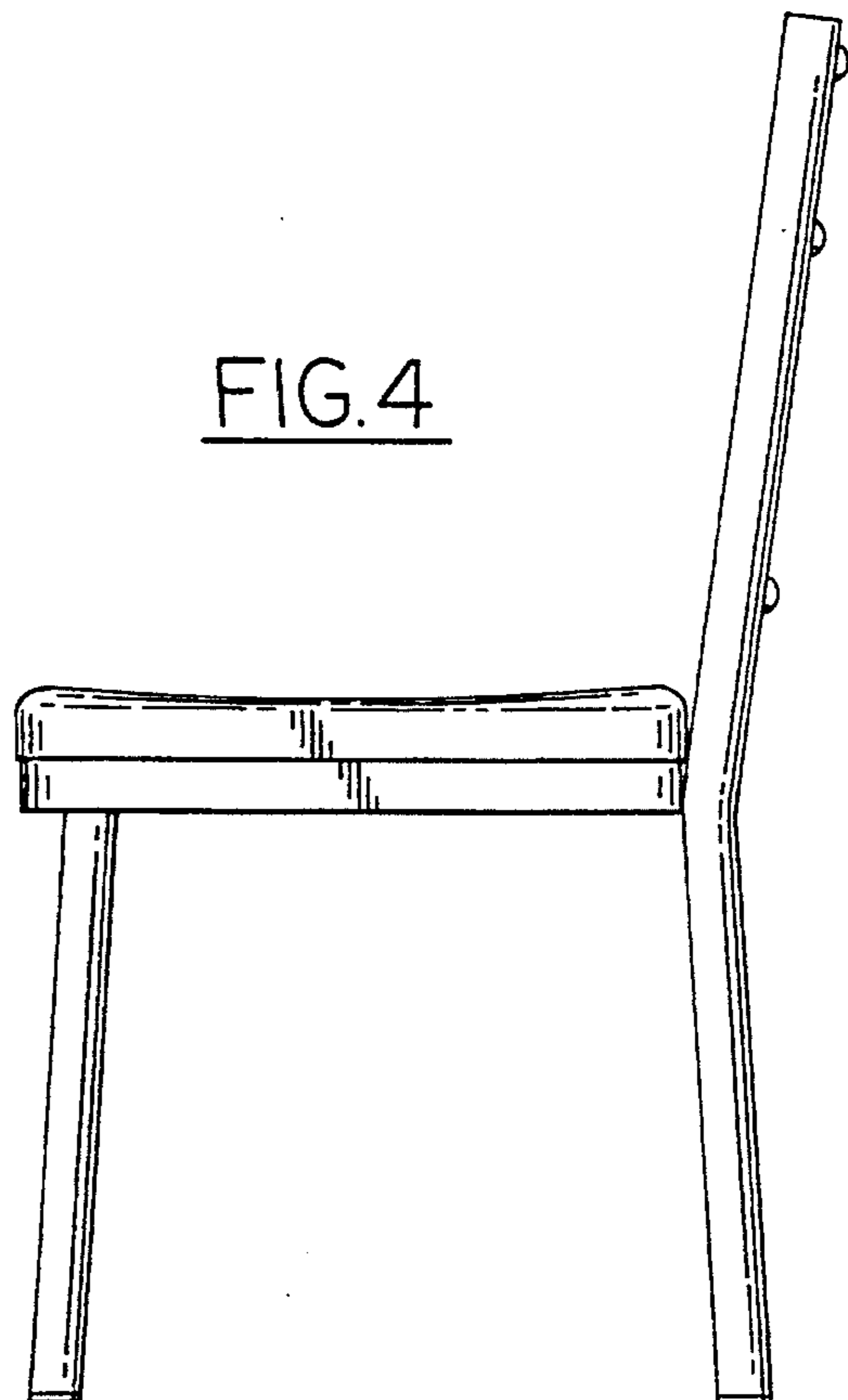
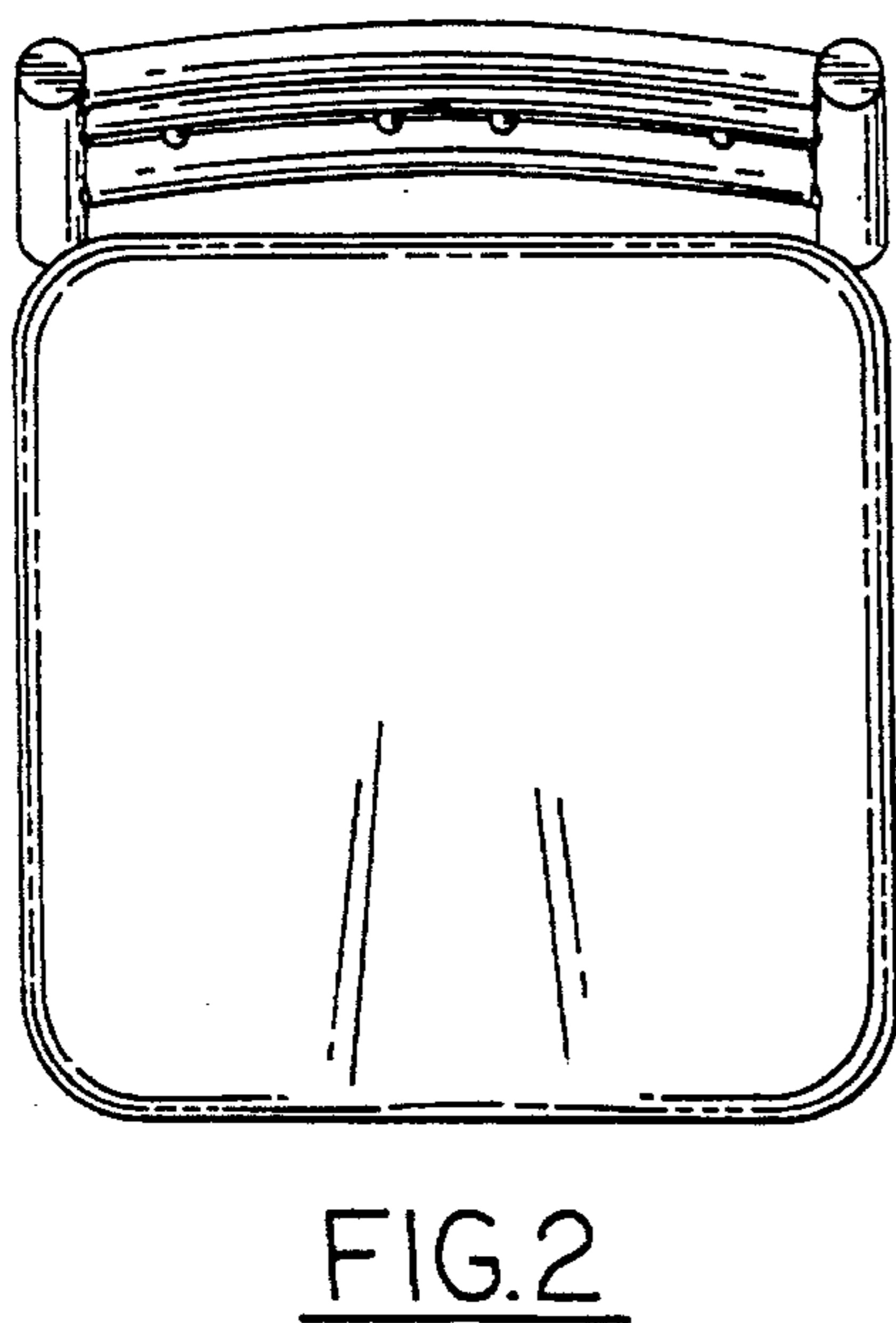
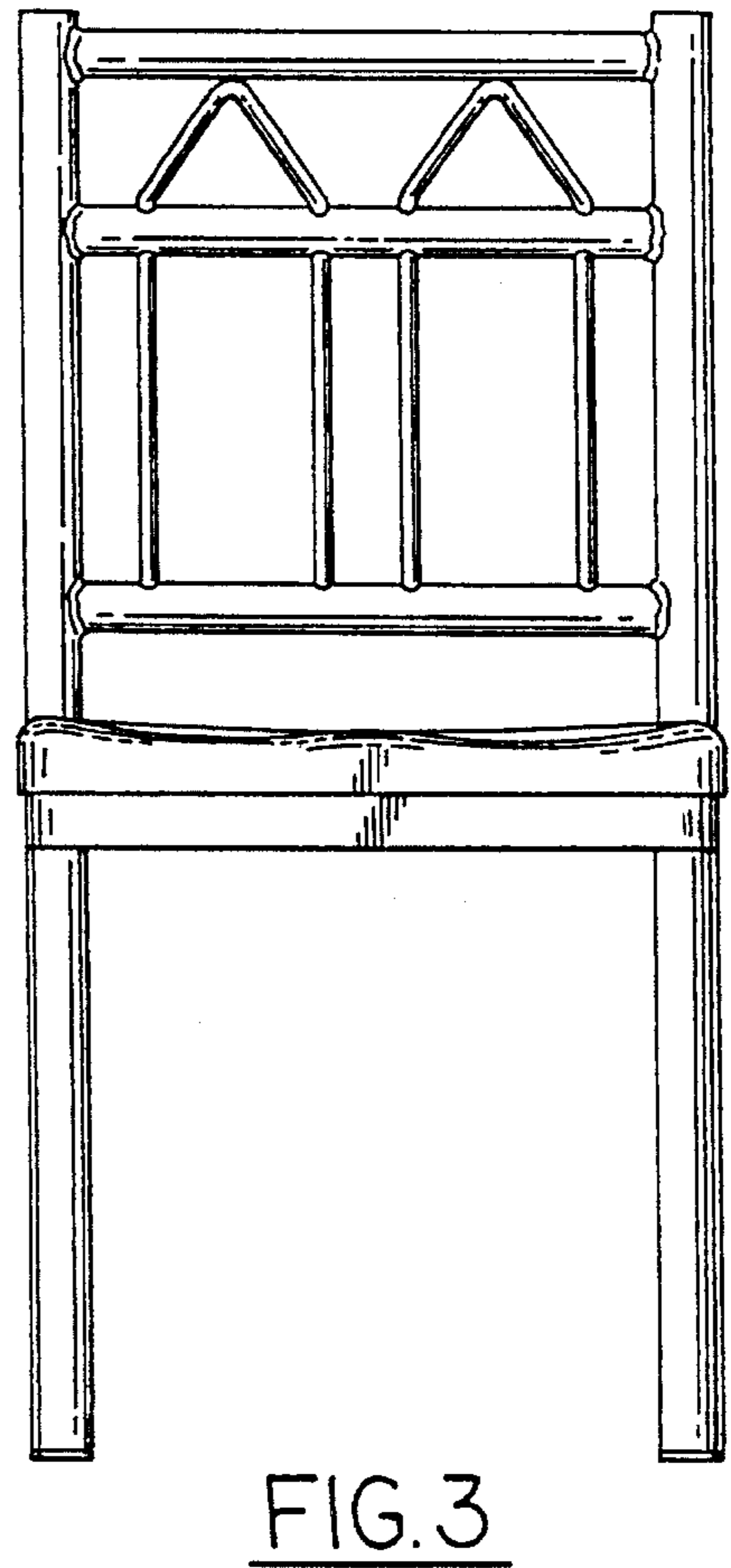
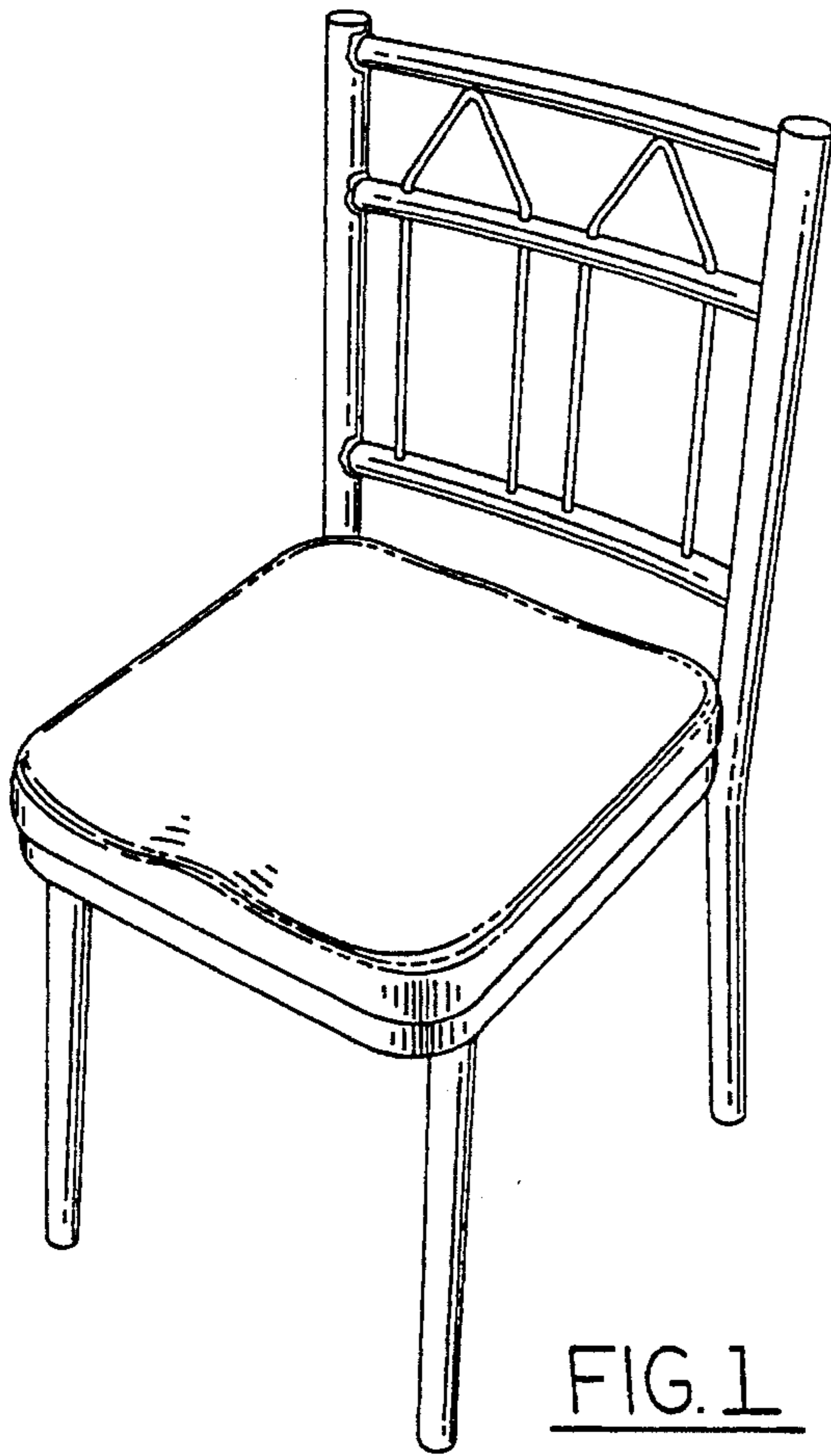
The ornamental design for a chair, as shown and described.

DESCRIPTION

FIG. 1 is a perspective view of the chair;
FIG. 2 is a top view thereof;
FIG. 3 is a front view thereof;
FIG. 4 is a right side elevational view thereof, with the left side elevational view being a mirror image thereof; and,
FIG. 5 is a rear view thereof.
FIGS. 2 through 5 have been shown on an enlarged scale.

1 Claim, 2 Drawing Sheets





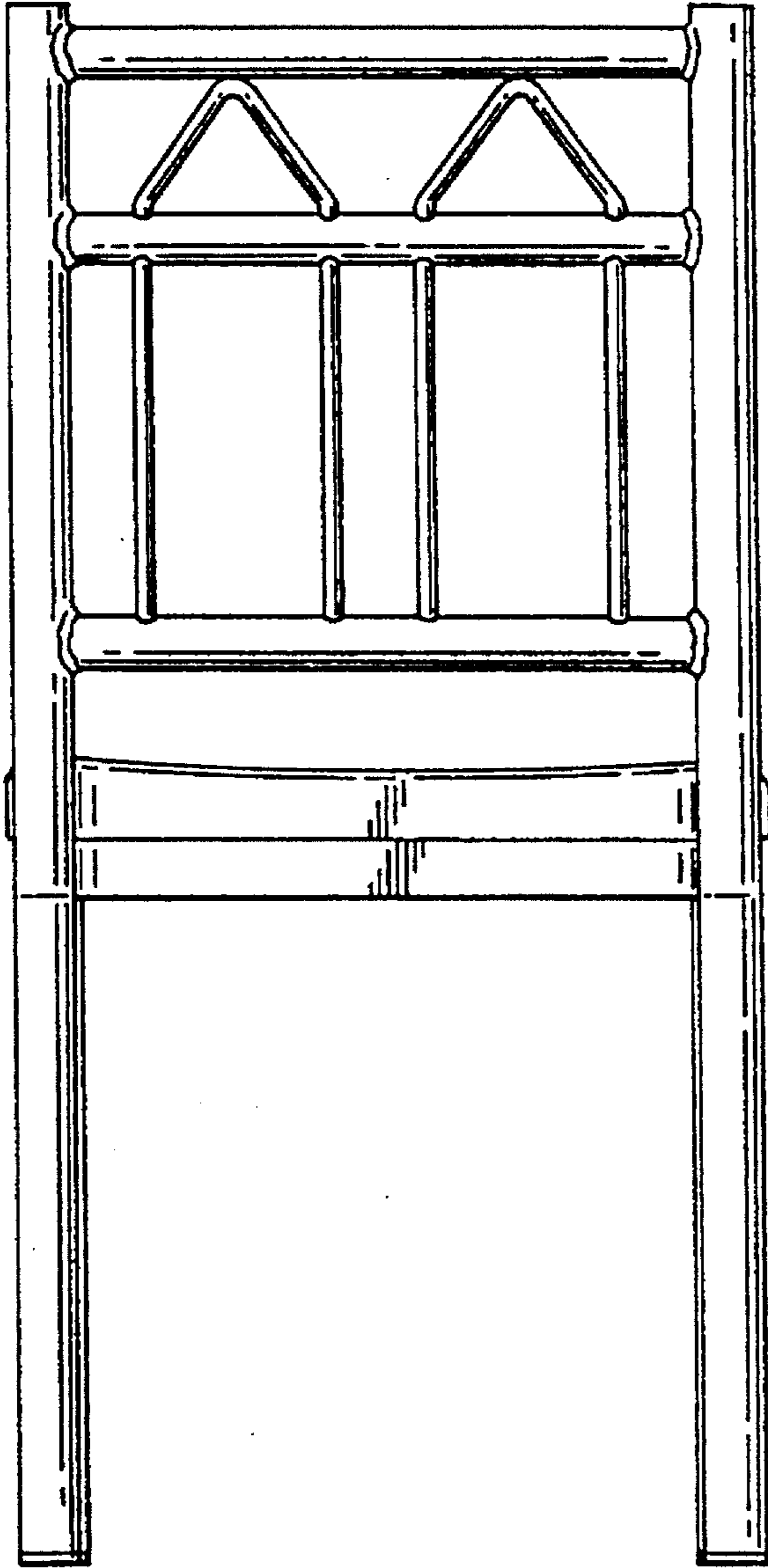


FIG. 5