



US00D374993S

United States Patent [19]

Emoto

[11] Patent Number: **Des. 374,993**

[45] Date of Patent: ****Oct. 29, 1996**

[54] **VEHICLE SEAT**

2615799 12/1988 France 297/115

[75] Inventor: **Seiji Emoto**, Huntington Beach, Calif.

Primary Examiner—Louis S. Zarfes

Assistant Examiner—Monica A. Hannon

[73] Assignee: **Isuzu Motors Limited**, Japan

Attorney, Agent, or Firm—Thomas A. Gallagher

[**] Term: **14 Years**

[57] CLAIM

[21] Appl. No.: **34,943**

The ornamental design for vehicle seat, as shown and described.

[22] Filed: **Dec. 29, 1994**

DESCRIPTION

Related U.S. Application Data

[62] Division of Ser. No. 780,745, Oct. 21, 1991, Pat. No. Des. 355,777.

[52] U.S. Cl. **D6/356**; D6/334

[58] Field of Search D6/341, 349, 356, D6/377, 334, 335, 336; 297/113, 115, 188.12, 188.14, 181, 192, 257, 377, 378.12, 252.17, 252.41

FIG. 1 is a right, front perspective view of my new vehicle seat design;

FIG. 2 is a top plan view of my new vehicle seat design. The bottom plan view is not seen in normal use and contains no design features;

FIG. 3 is left, front perspective view of my new vehicle seat design;

FIG. 4 is a front elevation view of my new vehicle seat design. The rear elevation view is not seen in normal use and contains no design features;

FIG. 5 is a right side elevation view of my new vehicle seat design; and,

FIG. 6 is a left side elevation view of my new vehicle seat design.

The broken line showing of environmental matter in FIGS. 5 and 6, is for illustrative purposes only and forms no part of the claimed design.

[56] References Cited

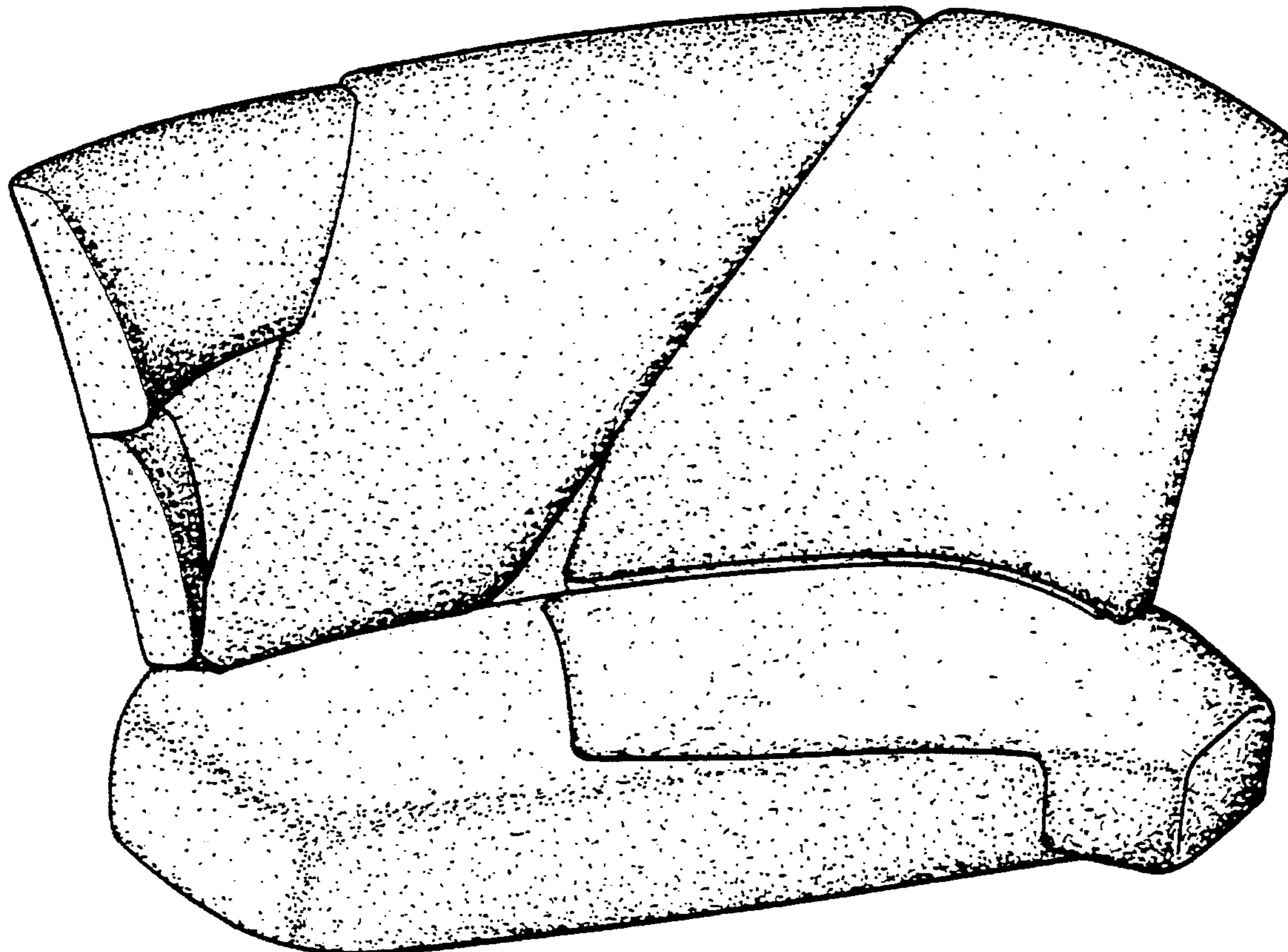
U.S. PATENT DOCUMENTS

2,966,201	12/1960	Strahler	D6/333 X
4,132,447	1/1979	Terada	297/378.12 X
5,188,442	2/1993	Harty et al.	297/192 X
5,246,267	9/1993	Nagashima et al.	297/113

FOREIGN PATENT DOCUMENTS

515726	8/1955	Canada	297/378.12
--------	--------	--------	-------	------------

1 Claim, 5 Drawing Sheets



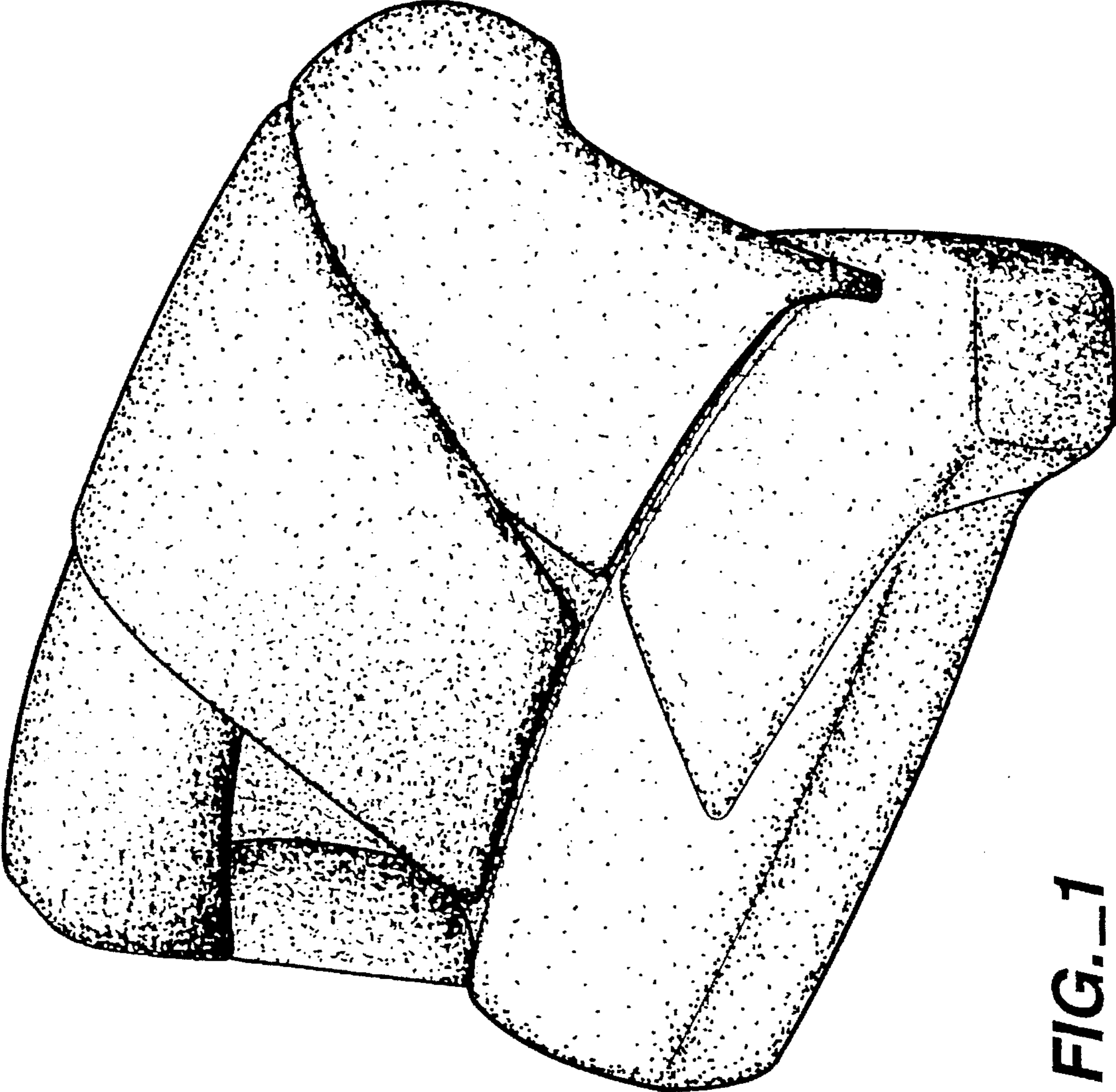


FIG. 1

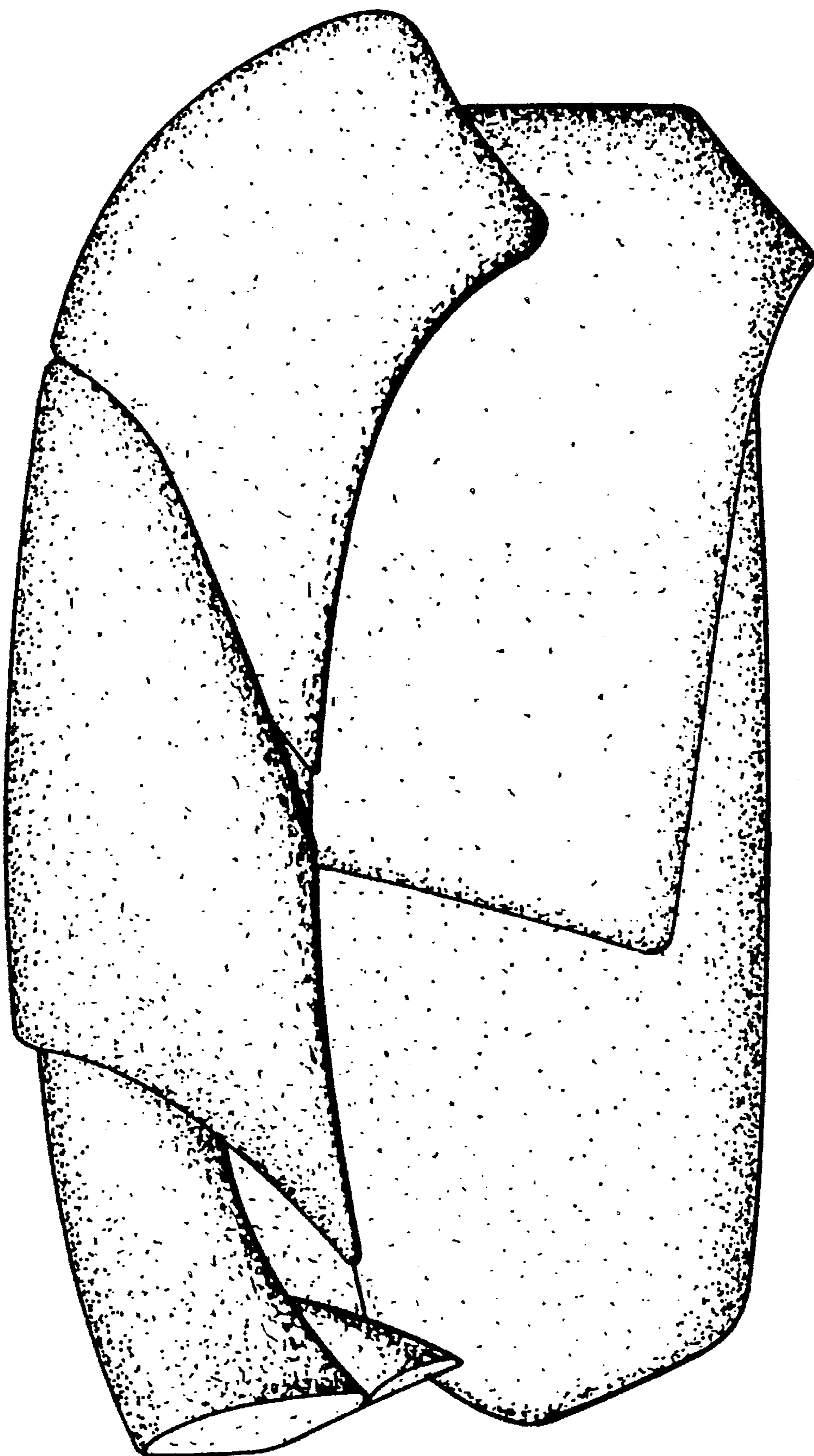


FIG. 2

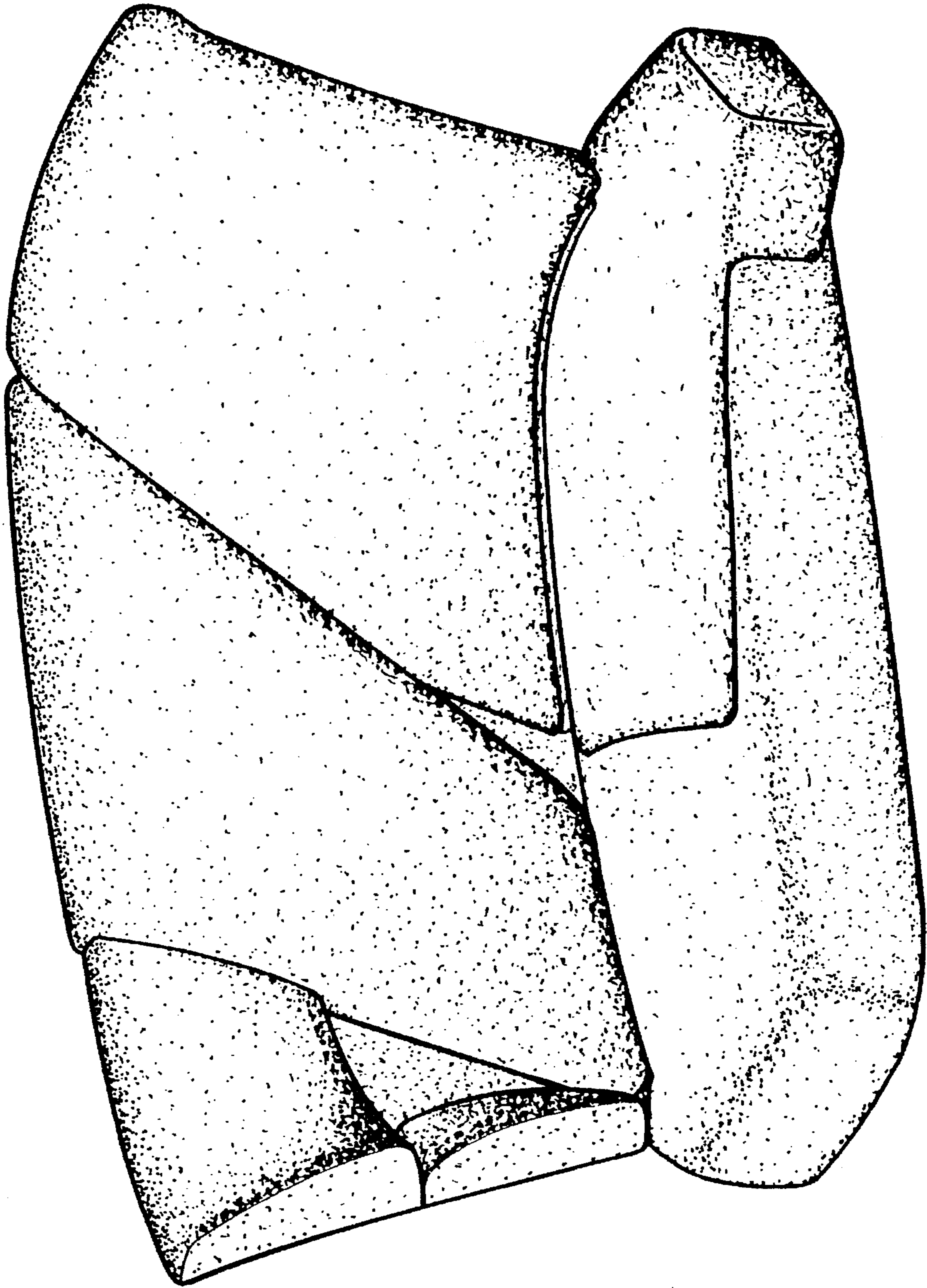


FIG.-3

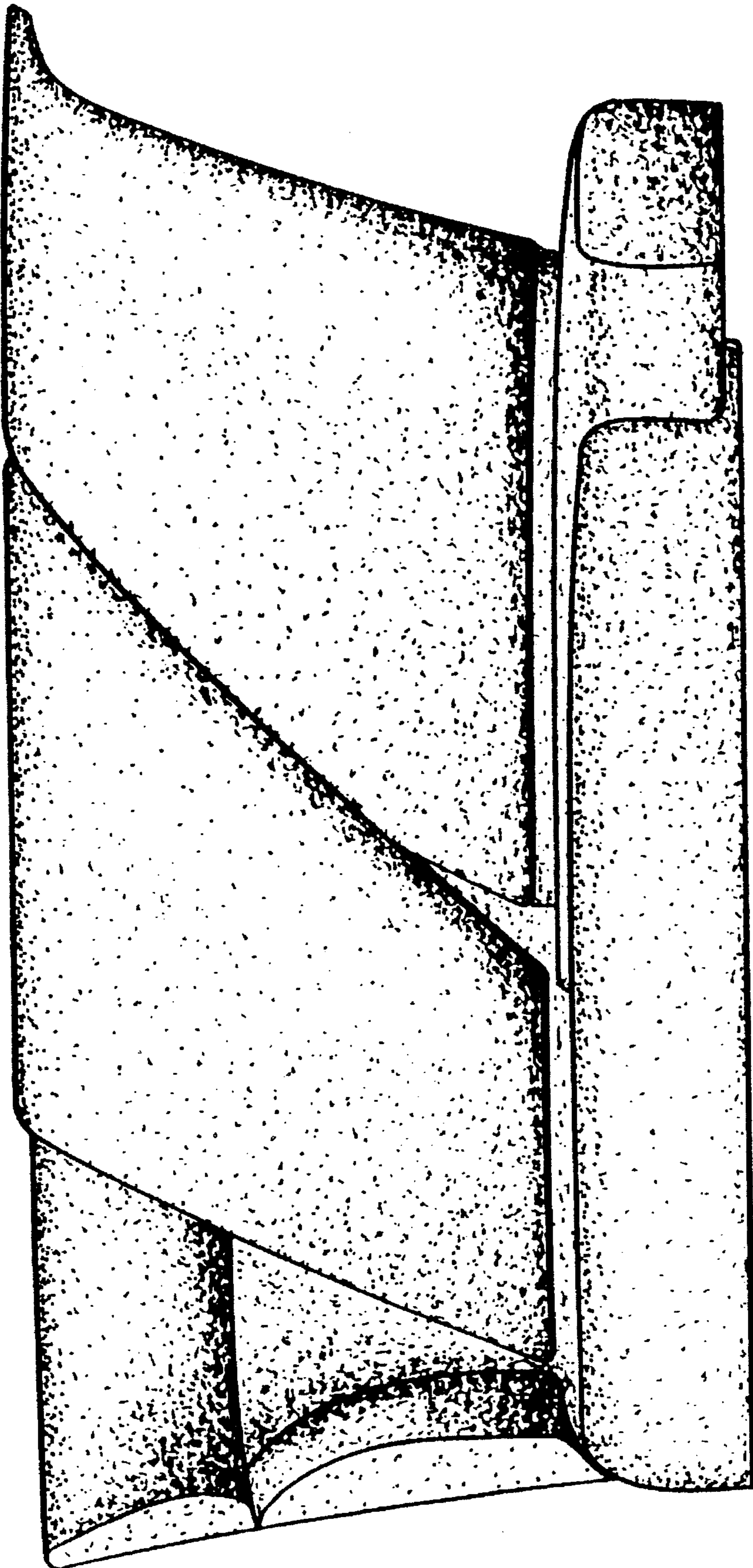


FIG. 4

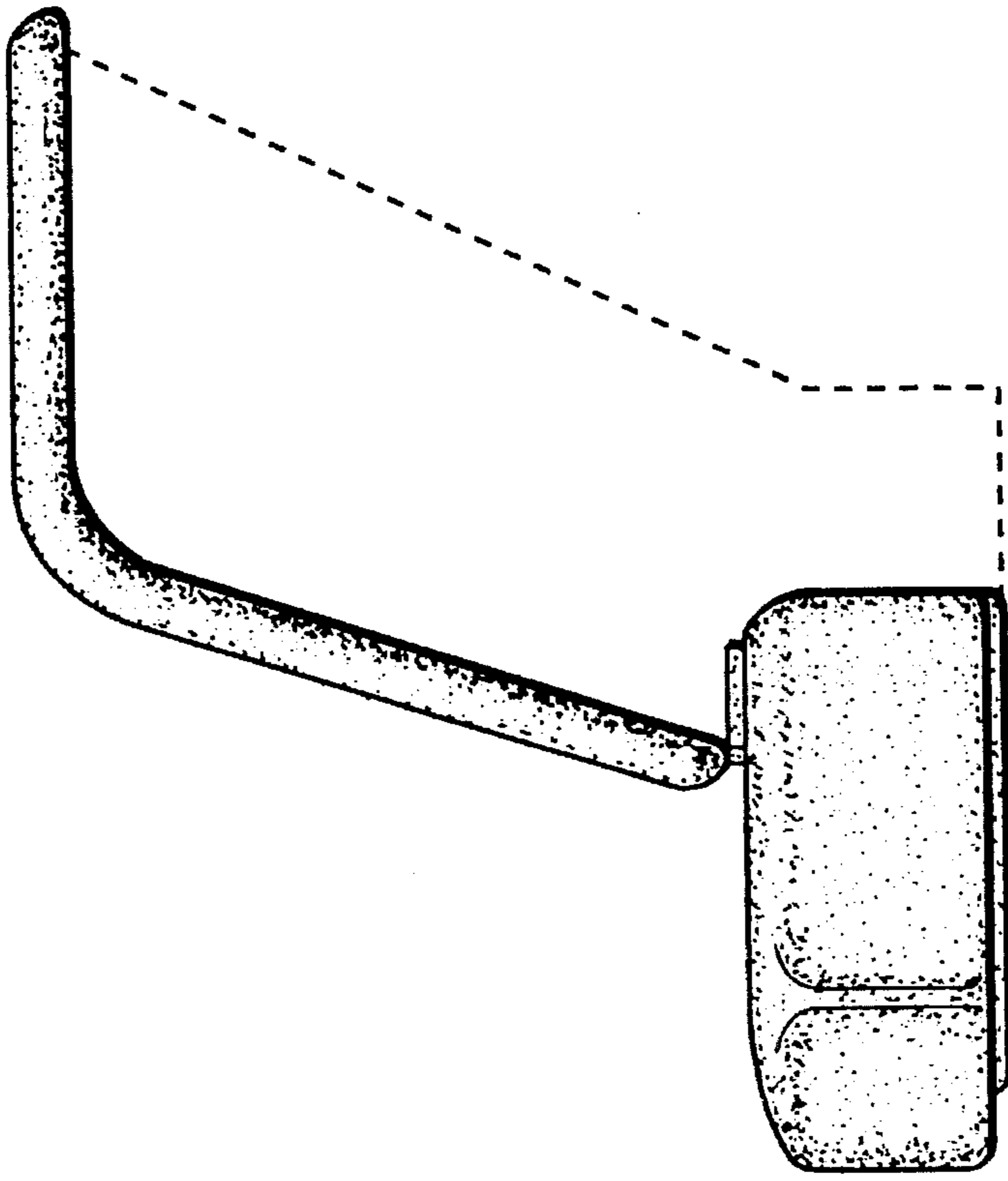


FIG.-6

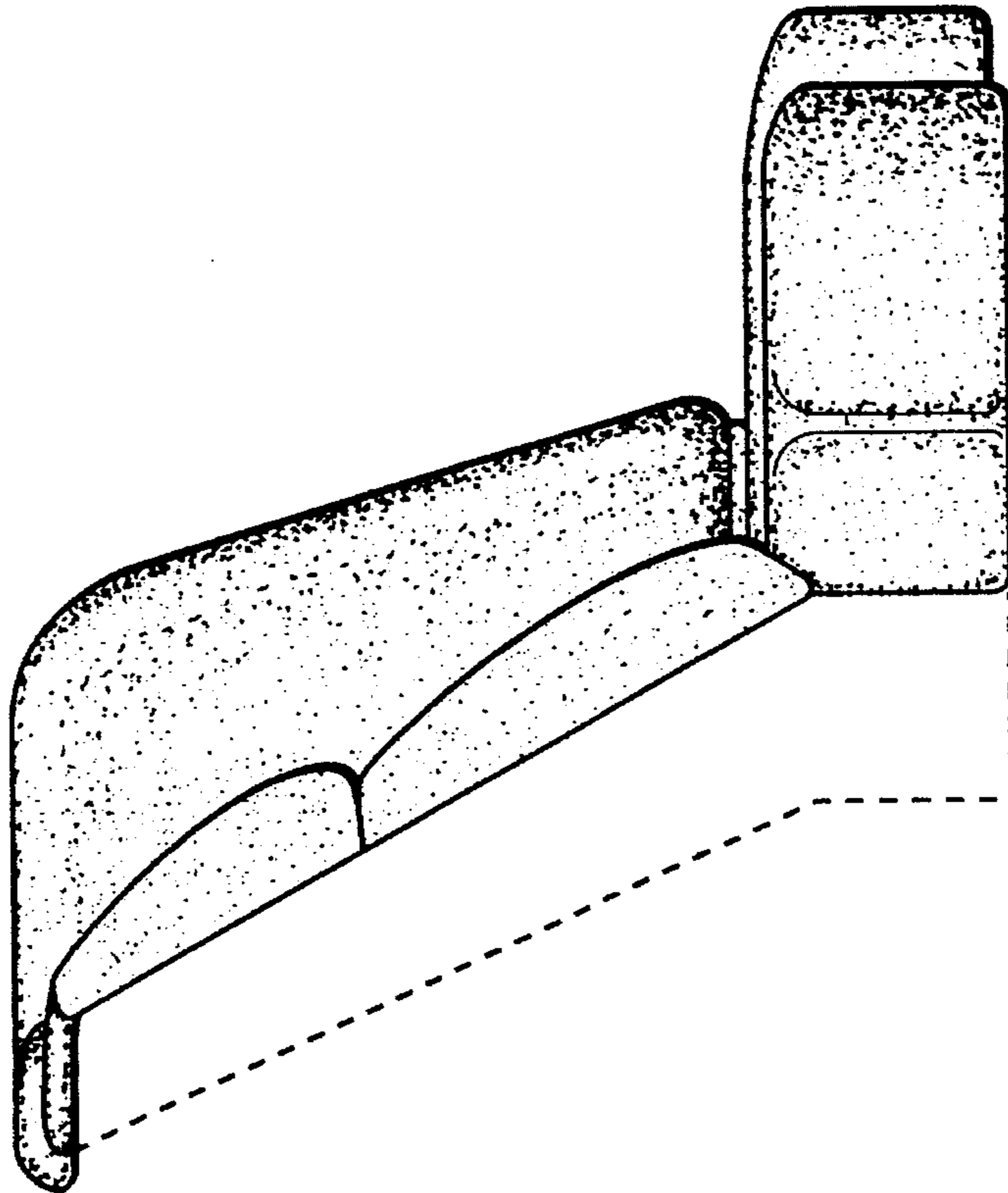


FIG.-5