



US00D374992S

# United States Patent [19]

Burdick et al.

[11] Patent Number: **Des. 374,992**

[45] Date of Patent: **\*\*Oct. 29, 1996**

[54] CHAIR

[75] Inventors: **Bruce Burdick; Susan K. Burdick; Cameron Imani; Johnson Chow**, all of San Francisco, Calif.

[73] Assignee: **The Burdick Group, Inc.**, San Francisco, Calif.

[\*\*] Term: **14 Years**

[21] Appl. No.: **41,396**

[22] Filed: **Jul. 3, 1995**

[52] U.S. Cl. .... **D6/334; D6/341; D6/375**

[58] Field of Search ..... **D6/334, 335, 341, D6/374, 375, 379, 380, 381, 500, 501, 502; 297/232, 447**

[56] **References Cited**

**U.S. PATENT DOCUMENTS**

D. 42,089	1/1912	Newton	.....	D6/341
D. 177,481	4/1956	Phibbs	.....	D6/341
2,698,049	12/1954	Lamb	.....	D6/341 X

**OTHER PUBLICATIONS**

Selig, p. D20D, Hara chair at bottom right.  
Industrial Design, Jan./Feb. 1976, p. 24, seating unit at bottom.  
Sweets, 13125/FOM Buyline 4746 p. 3, seating unit at top.

Primary Examiner—Gary D. Watson

Attorney, Agent, or Firm—Saidman DesignLaw Group

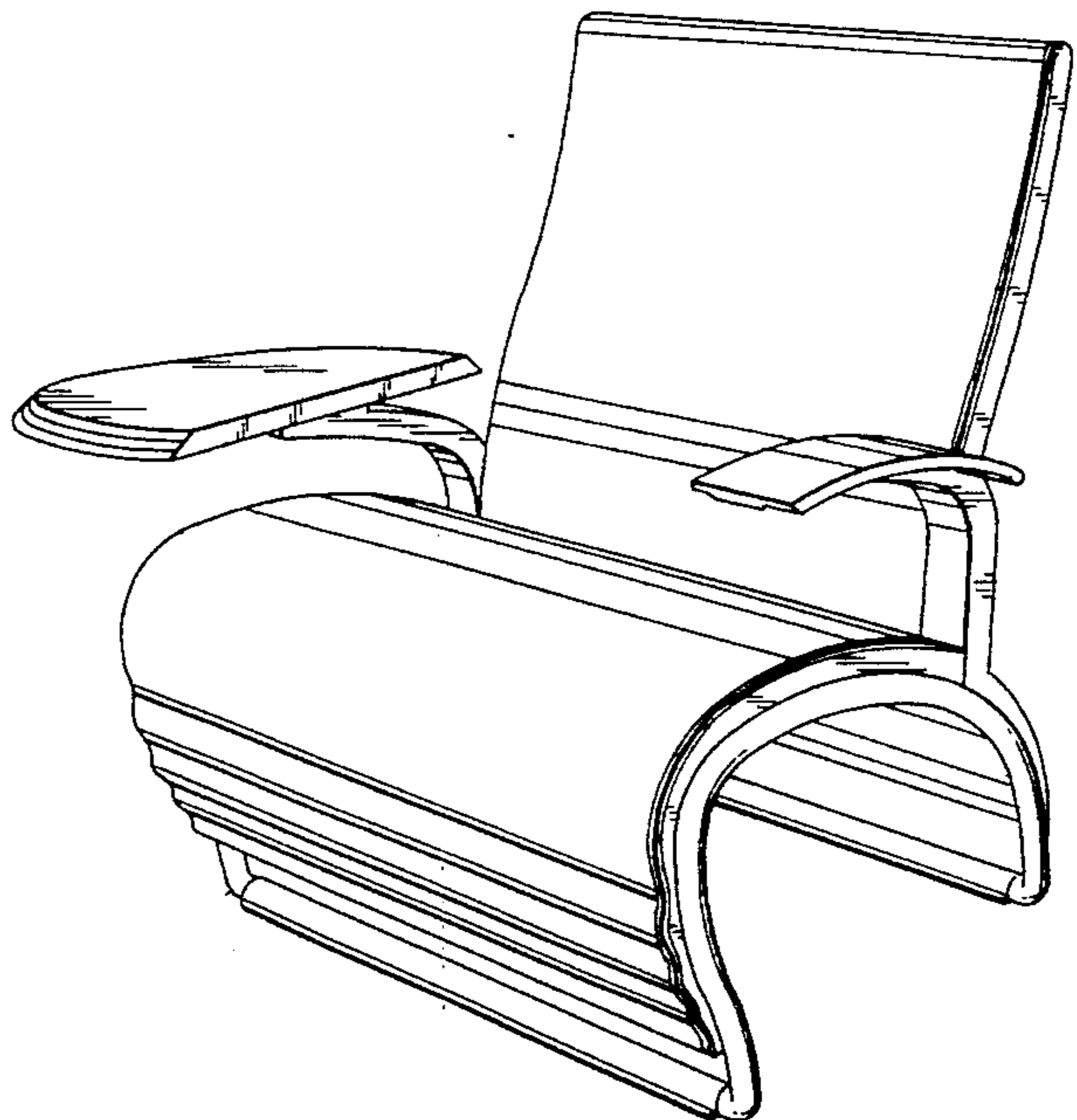
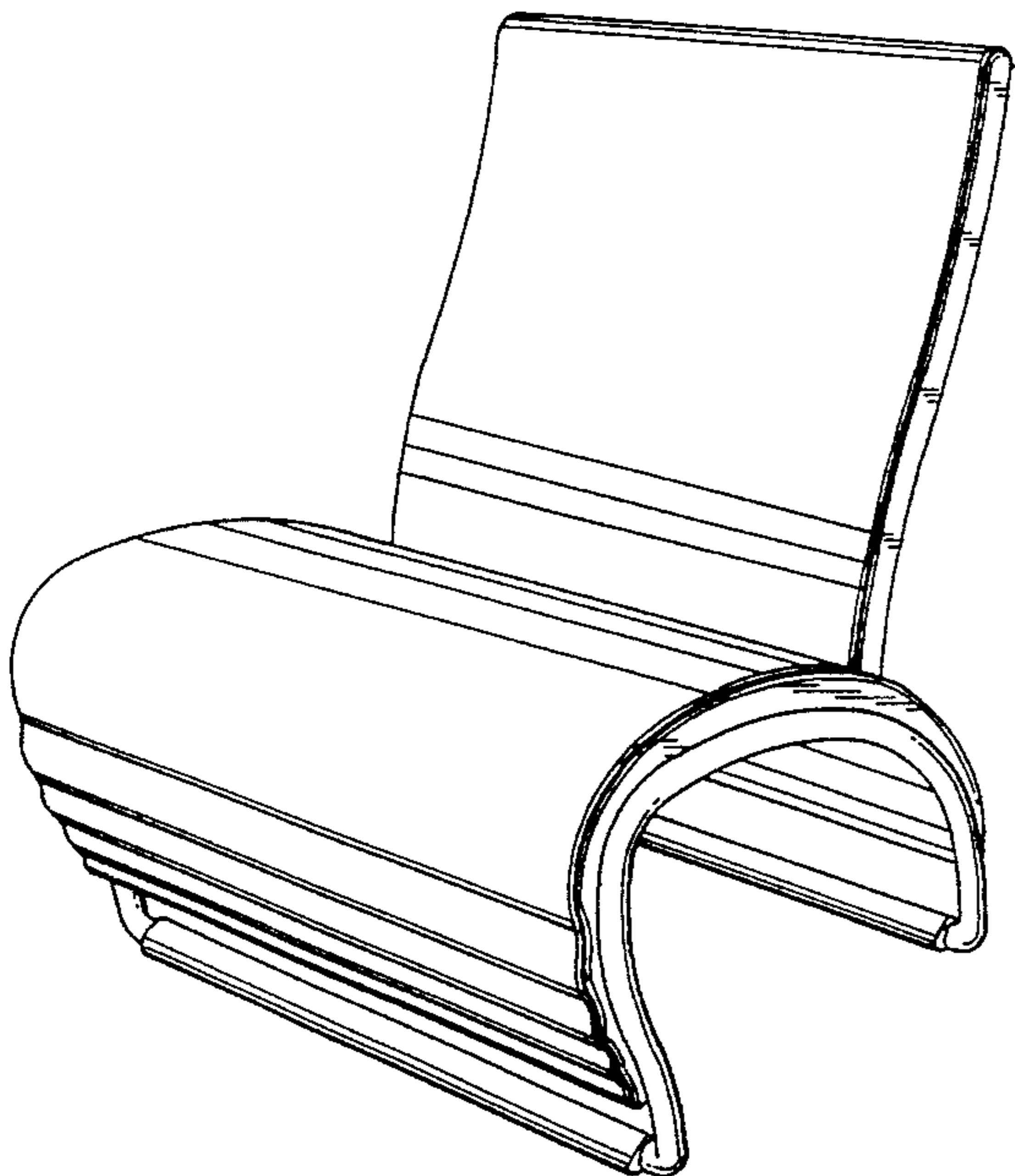
[57] **CLAIM**

The ornamental design for a chair, as shown and described.

**DESCRIPTION**

FIG. 1 is a perspective view of a chair showing our new design;  
 FIG. 2 is a front view in elevation thereof;  
 FIG. 3 is a rear view thereof;  
 FIG. 4 is a top view thereof;  
 FIG. 5 is a bottom plan view thereof;  
 FIG. 6 is a left side view thereof, the right side being a mirror image;  
 FIG. 7 is a perspective view of a second embodiment of a chair showing our new design;  
 FIG. 8 is a front view in elevation thereof;  
 FIG. 9 is a rear view thereof;  
 FIG. 10 is a top view thereof;  
 FIG. 11 is a bottom plan view thereof;  
 FIG. 12 is a left side view thereof, the right side being a mirror image;  
 FIG. 13 is a perspective view of a third embodiment showing our new design;  
 FIG. 14 is a front view in elevation thereof;  
 FIG. 15 is a rear view thereof;  
 FIG. 16 is a top view thereof;  
 FIG. 17 is a bottom plan view thereof;  
 FIG. 18 is a left side view thereof; and,  
 FIG. 19 is a right side view thereof.

**1 Claim, 19 Drawing Sheets**



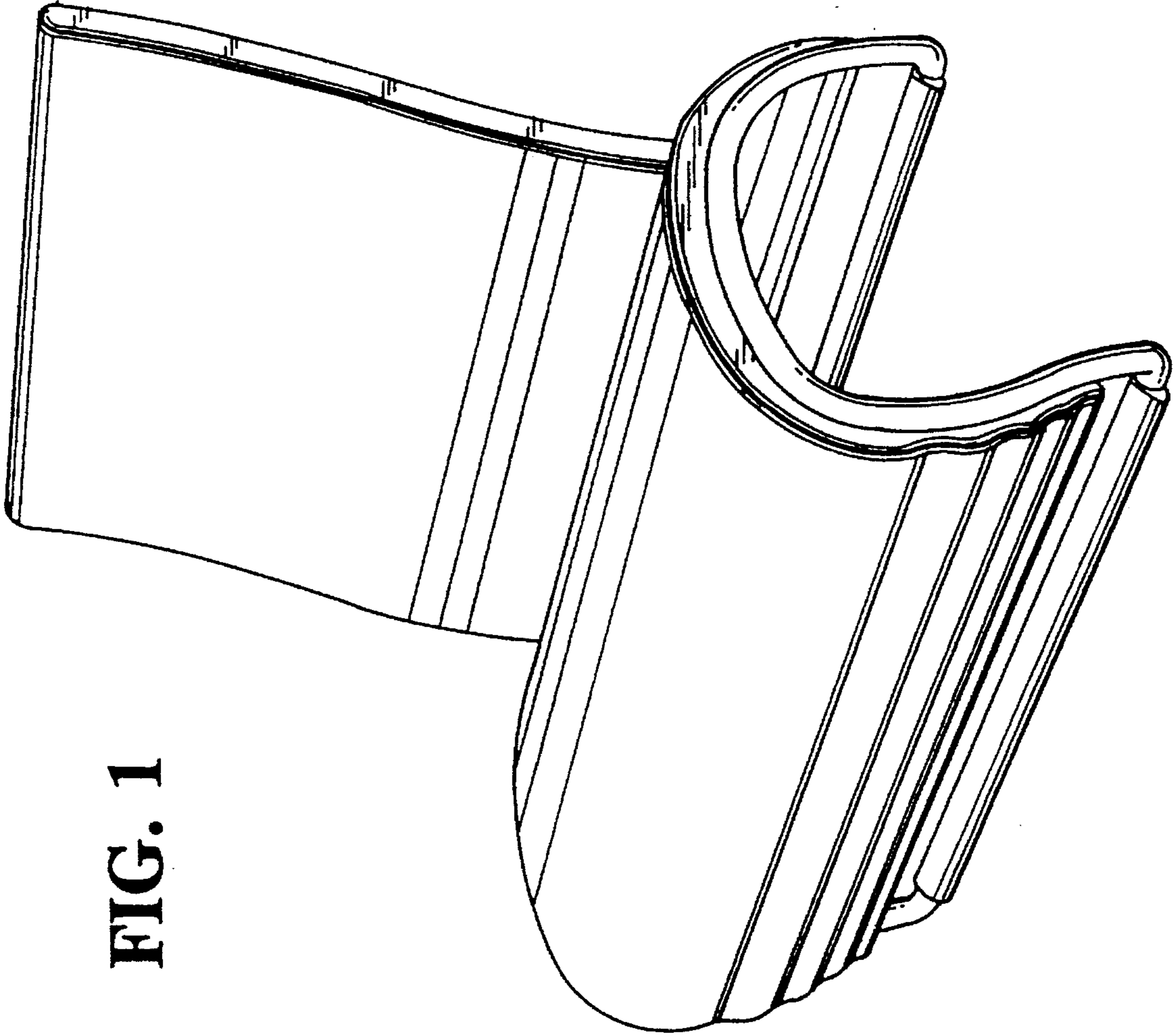
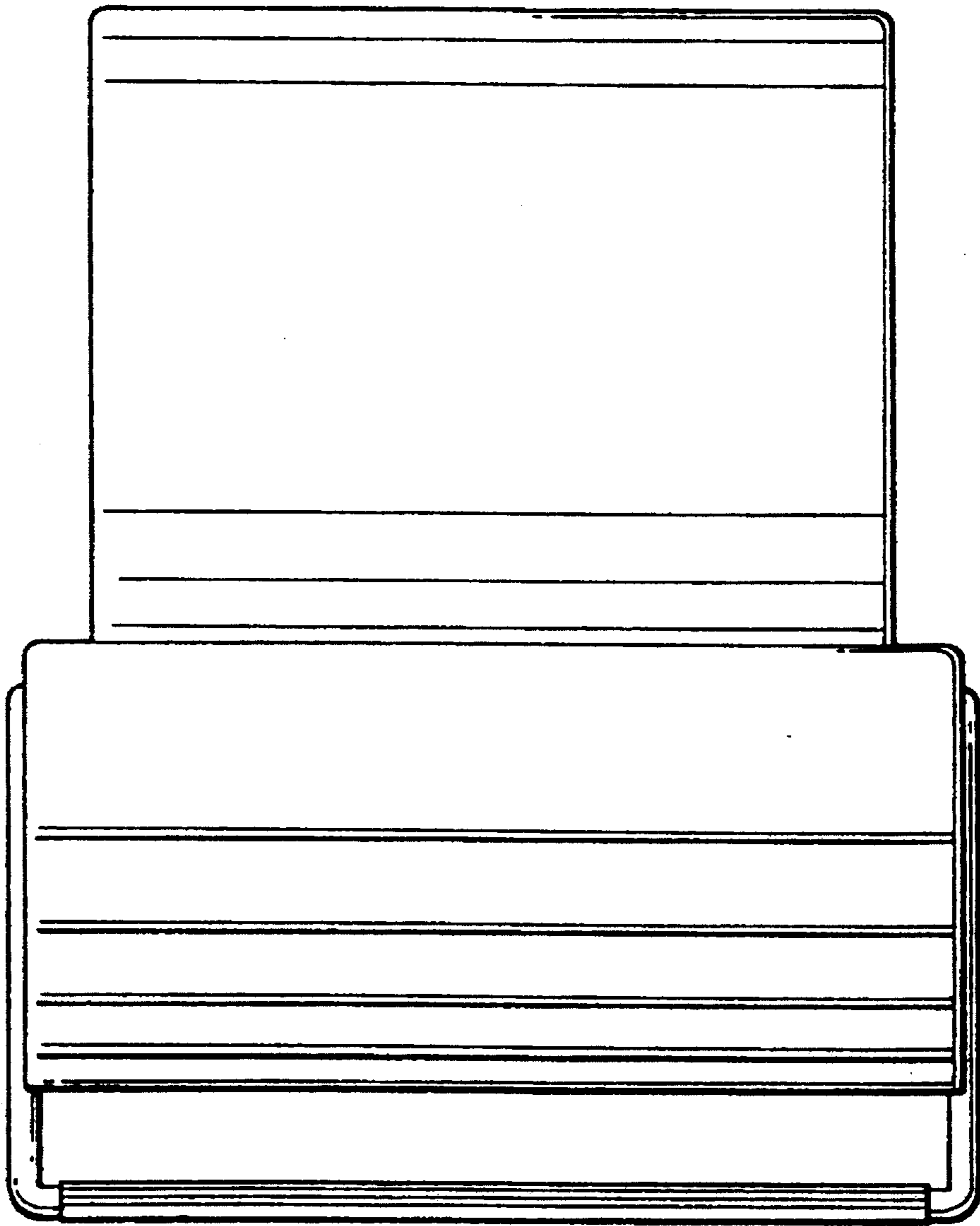
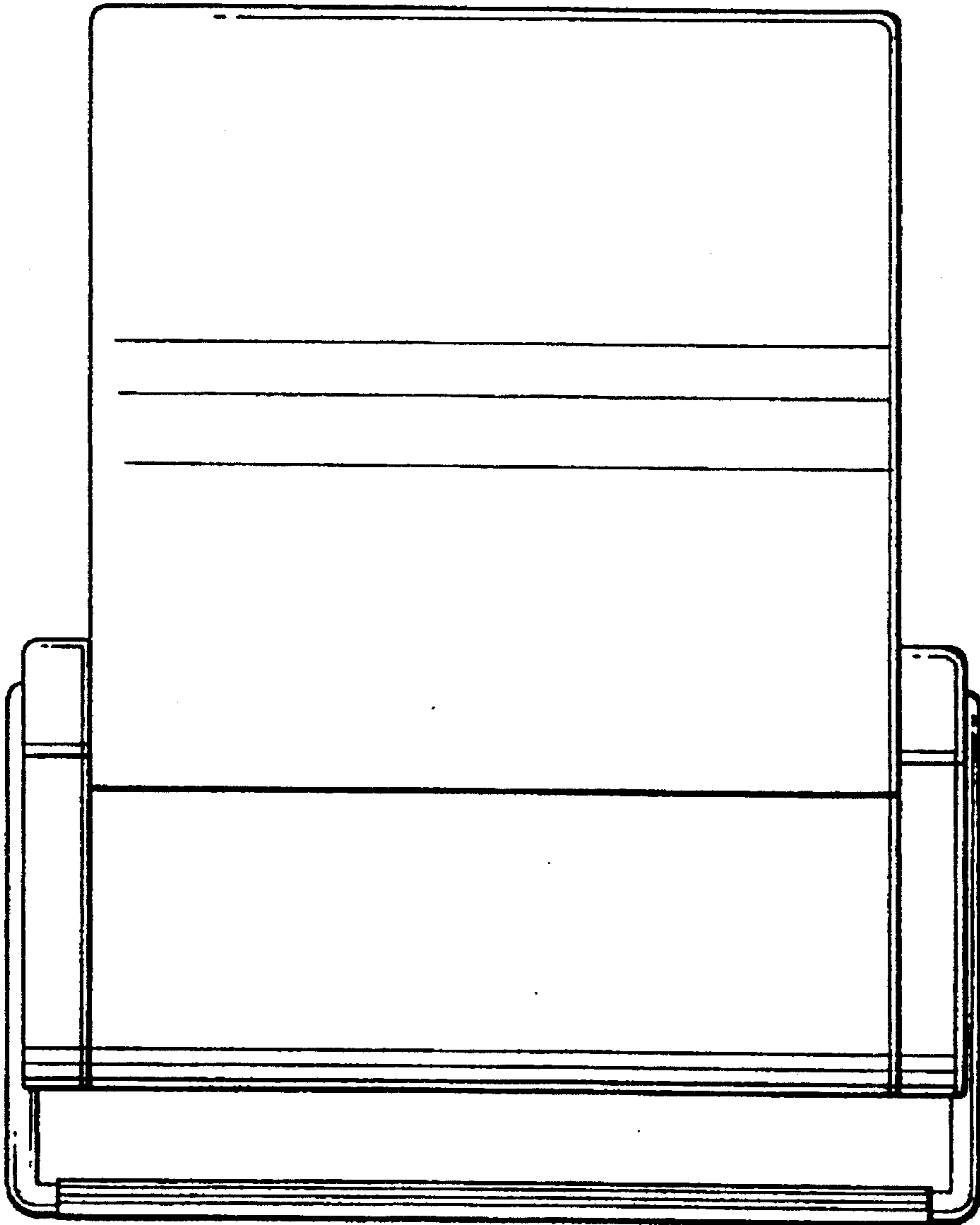


FIG. 1

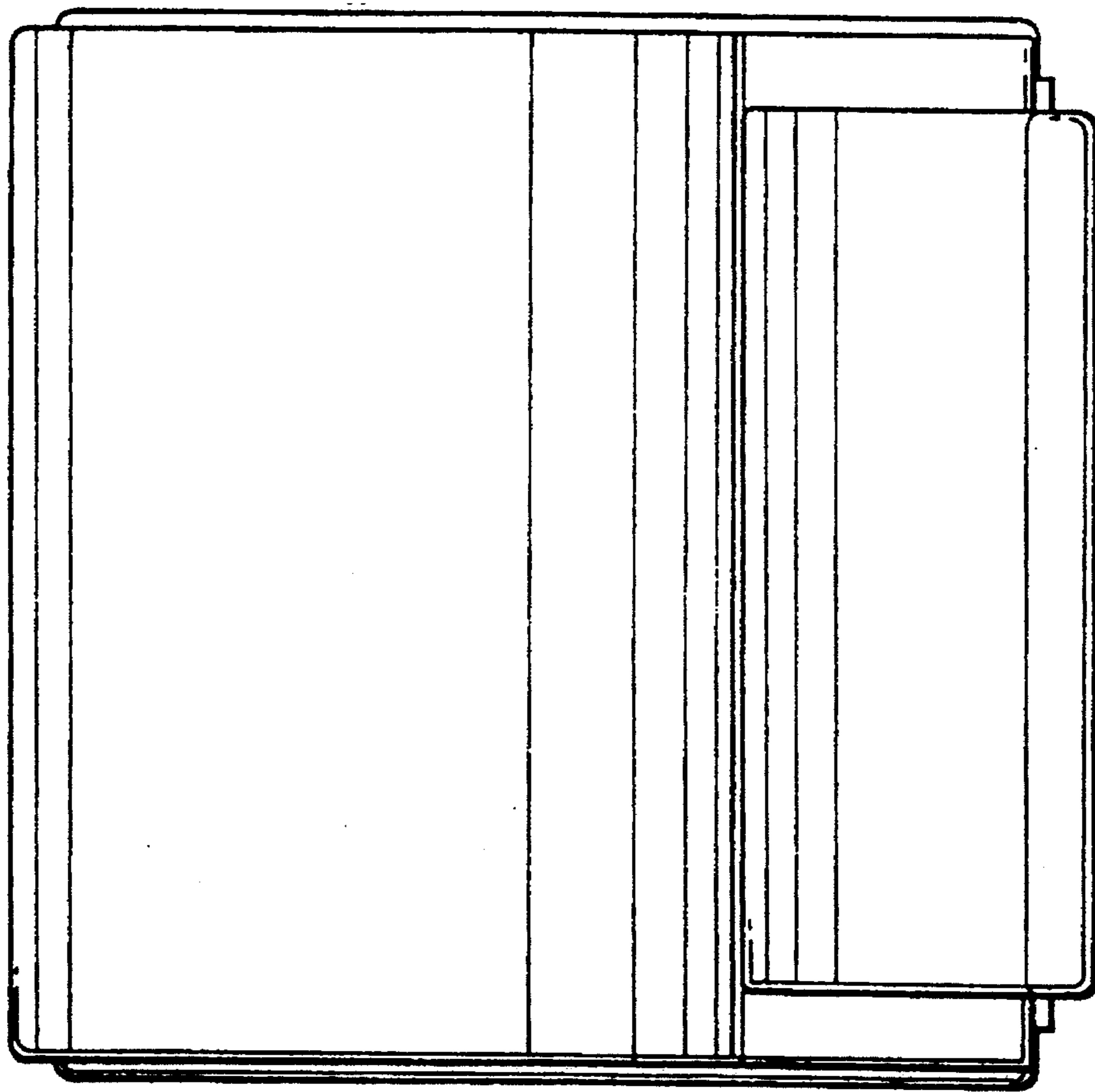
**FIG. 2**



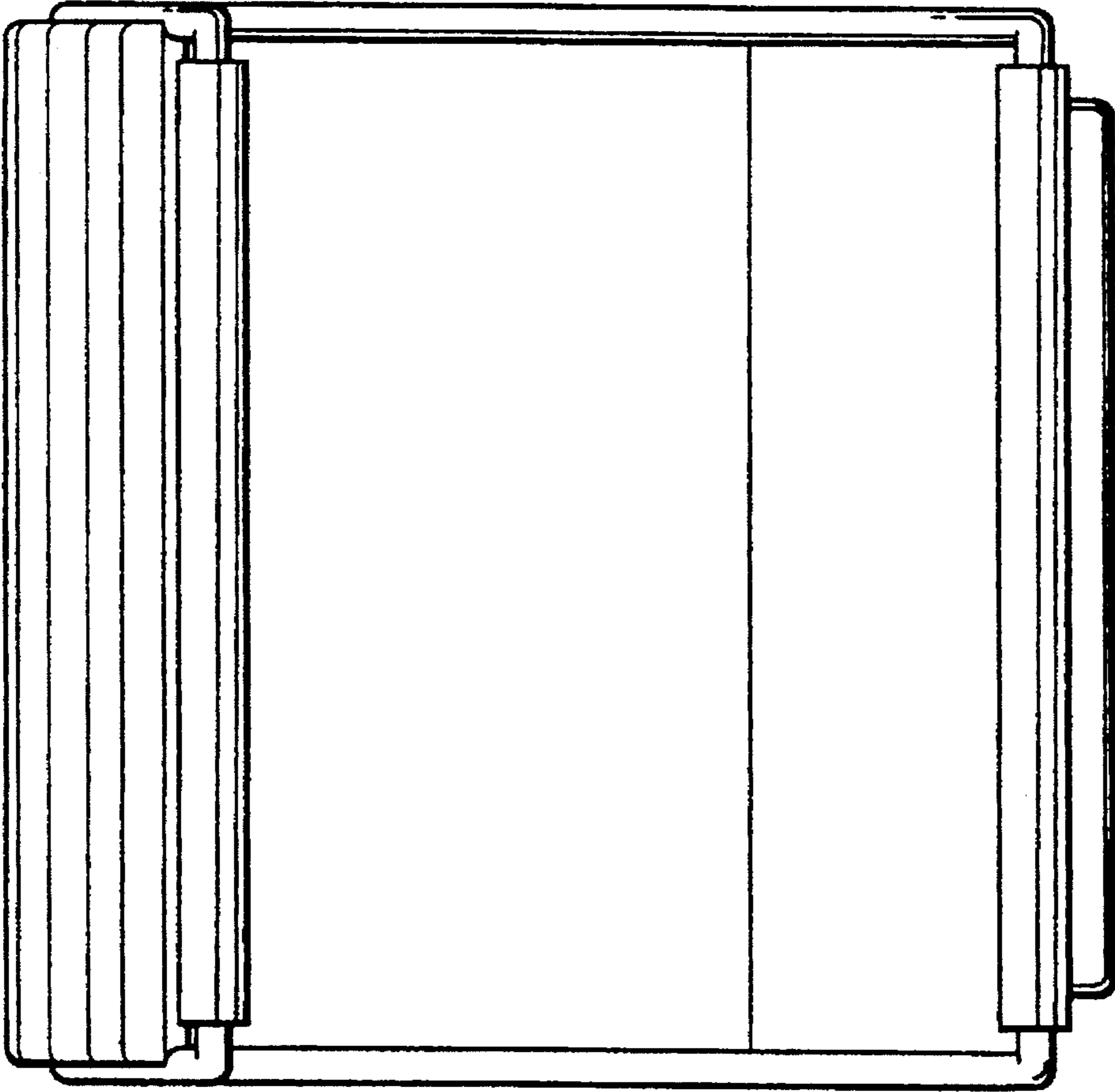


**FIG. 3**

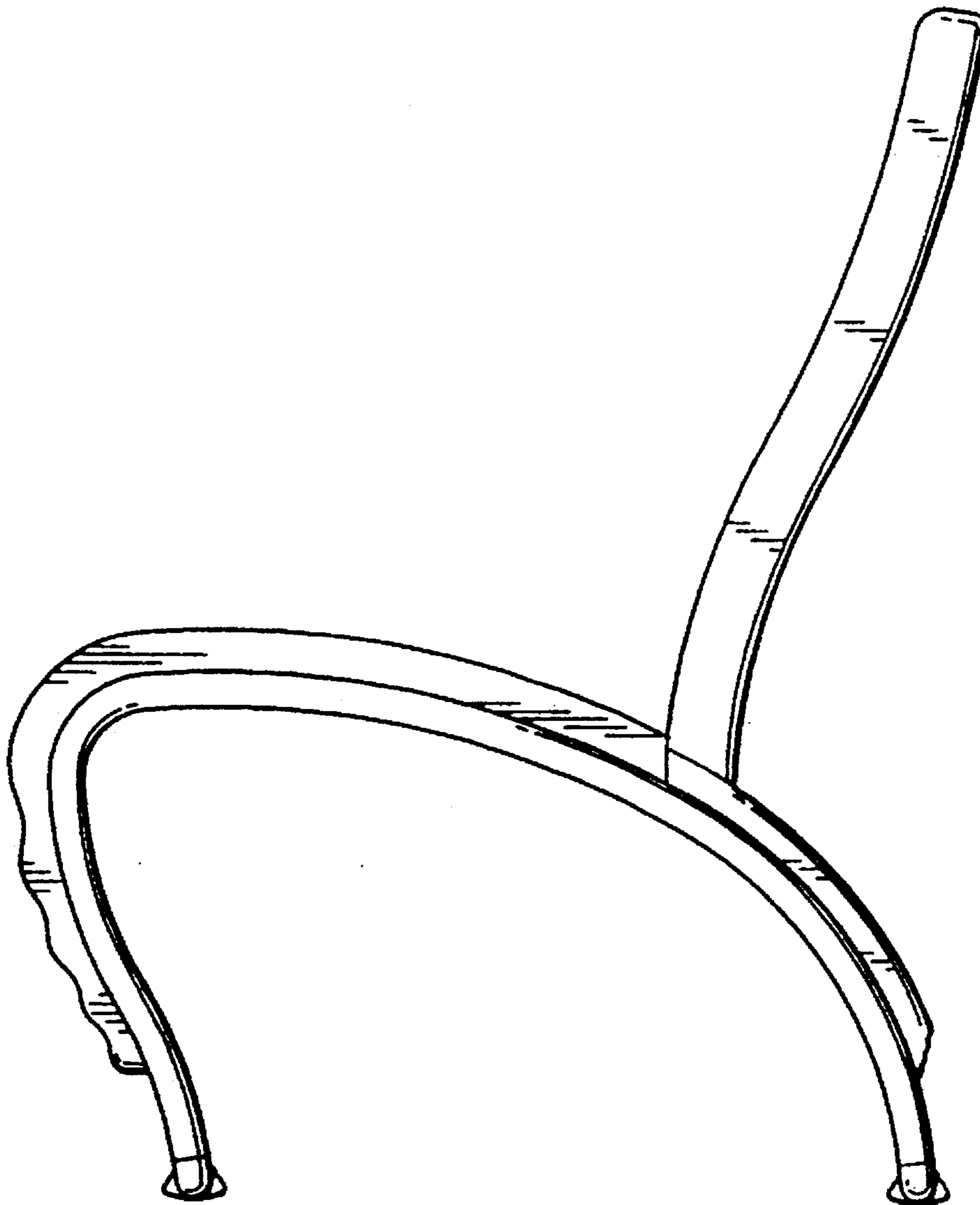
**FIG. 4**



**FIG. 5**



**FIG. 6**



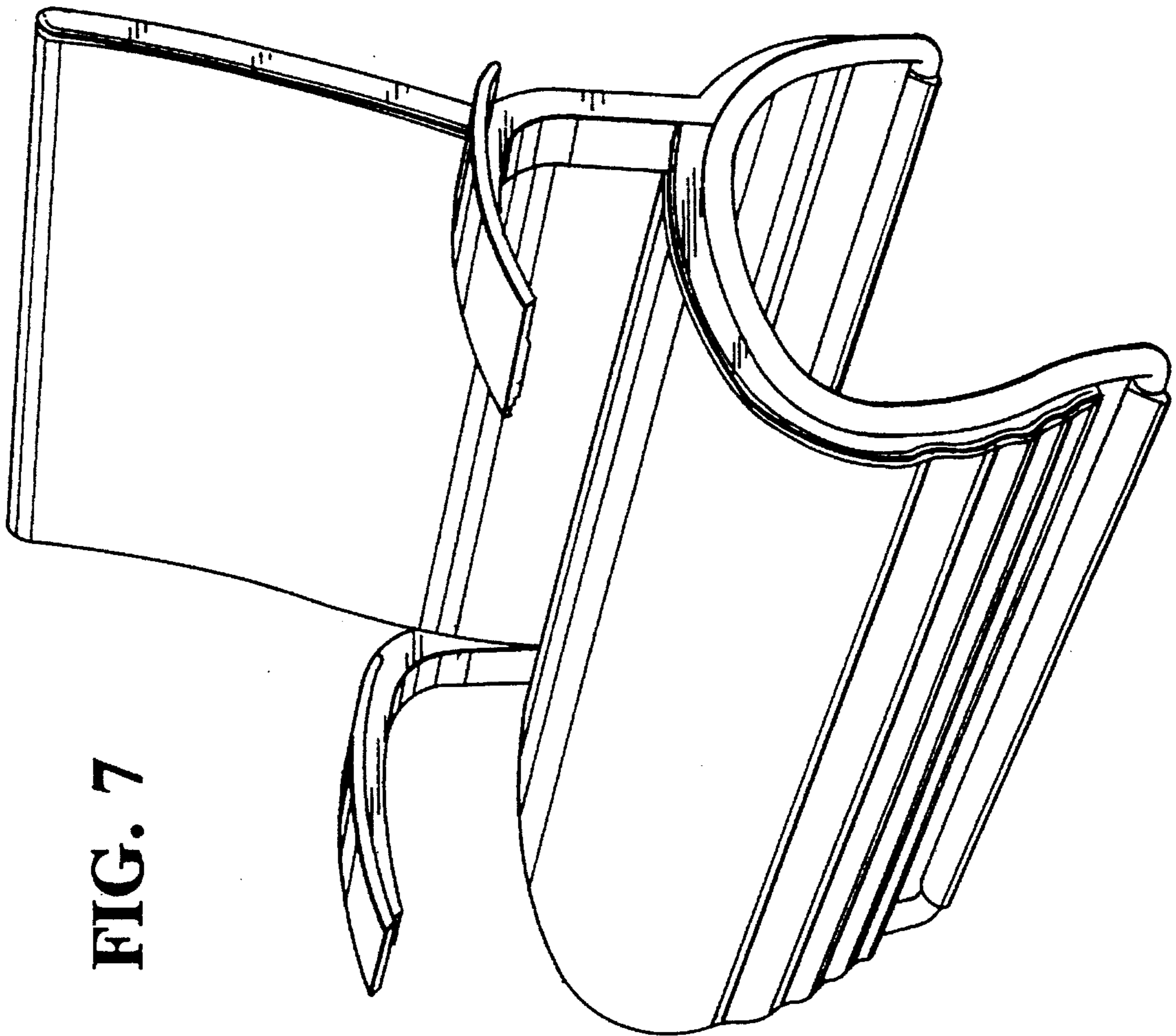
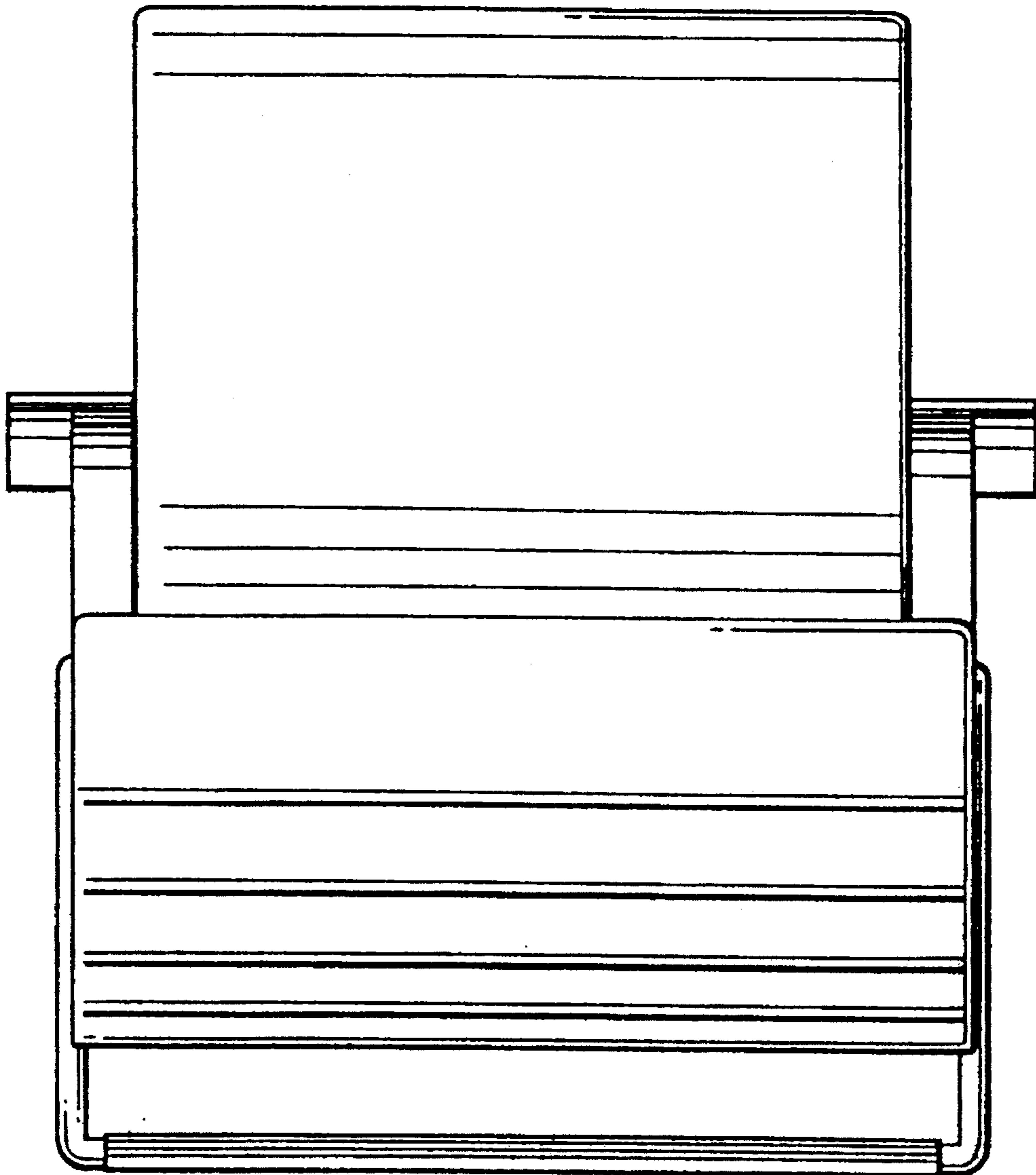


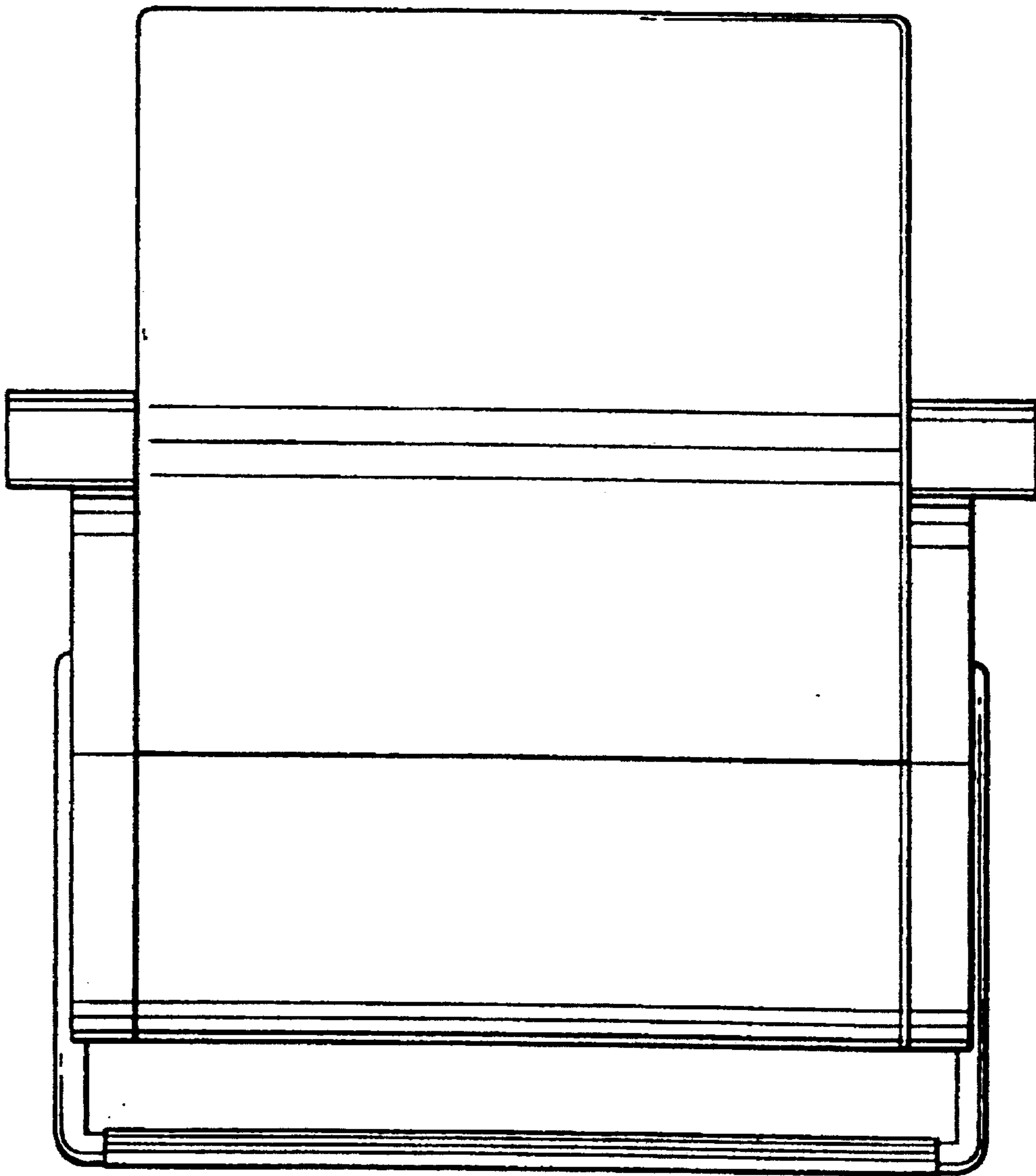
FIG. 7



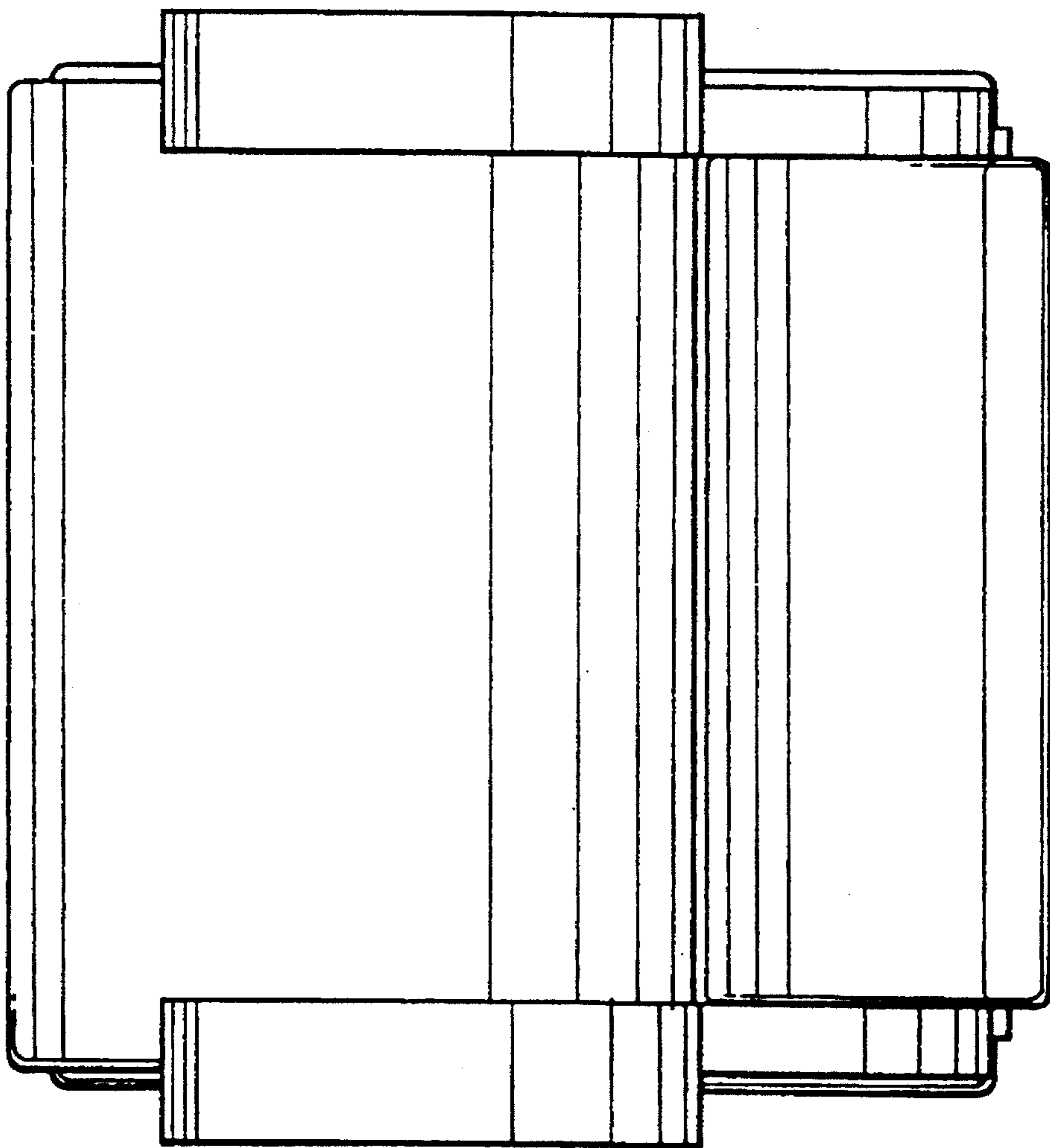
**FIG. 8**



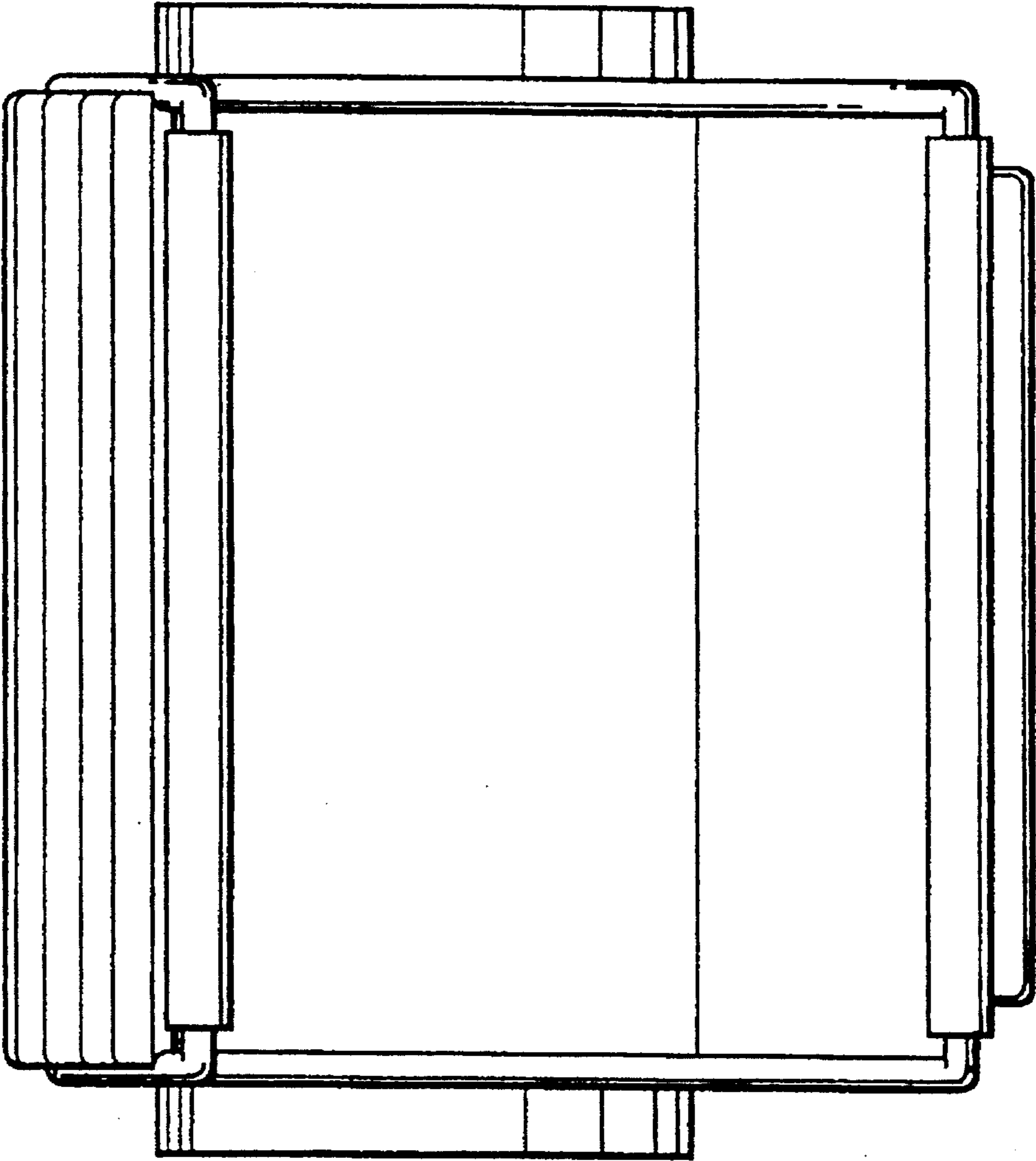
**FIG. 9**



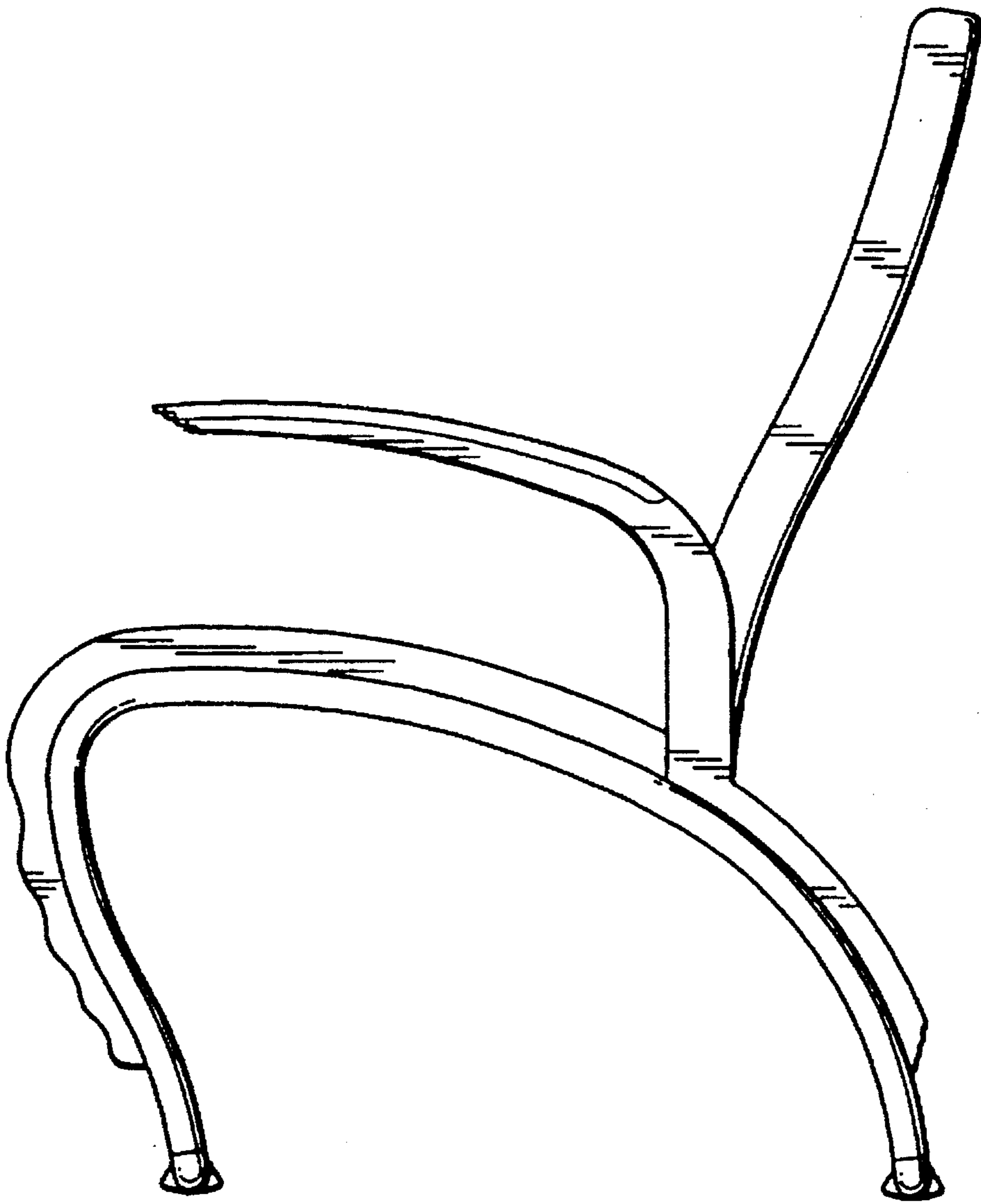
**FIG. 10**



**FIG. 11**



**FIG. 12**



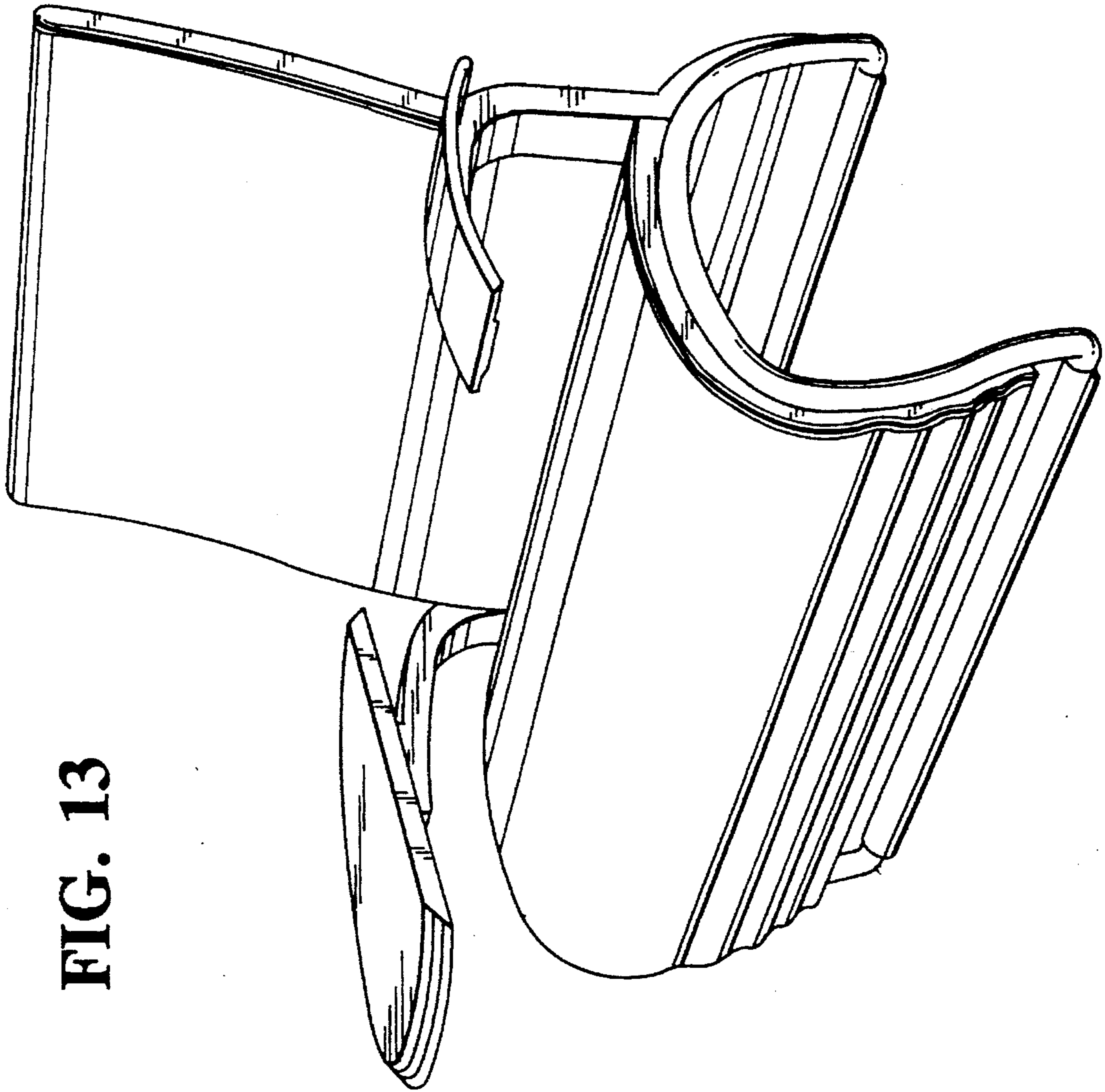
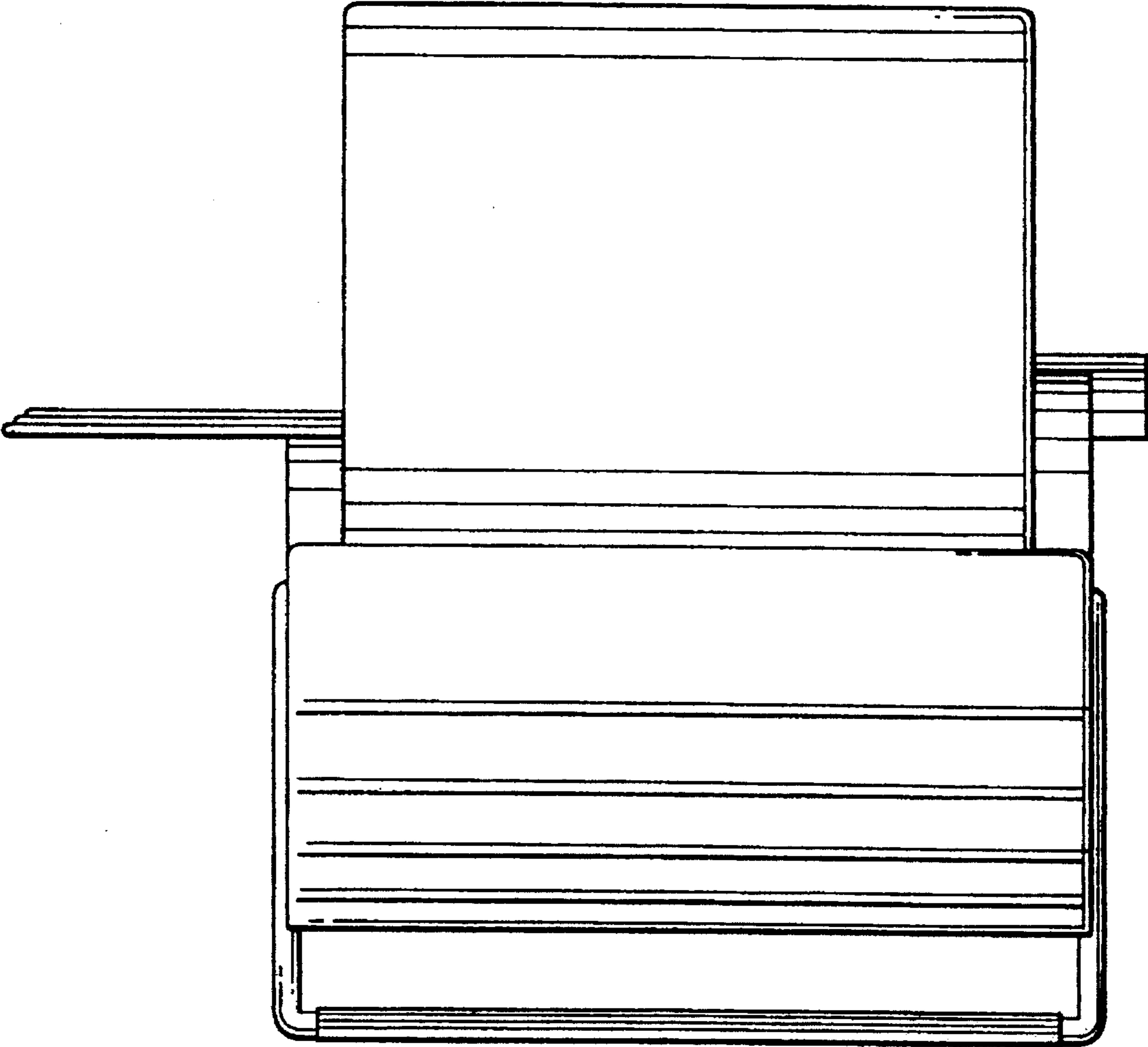
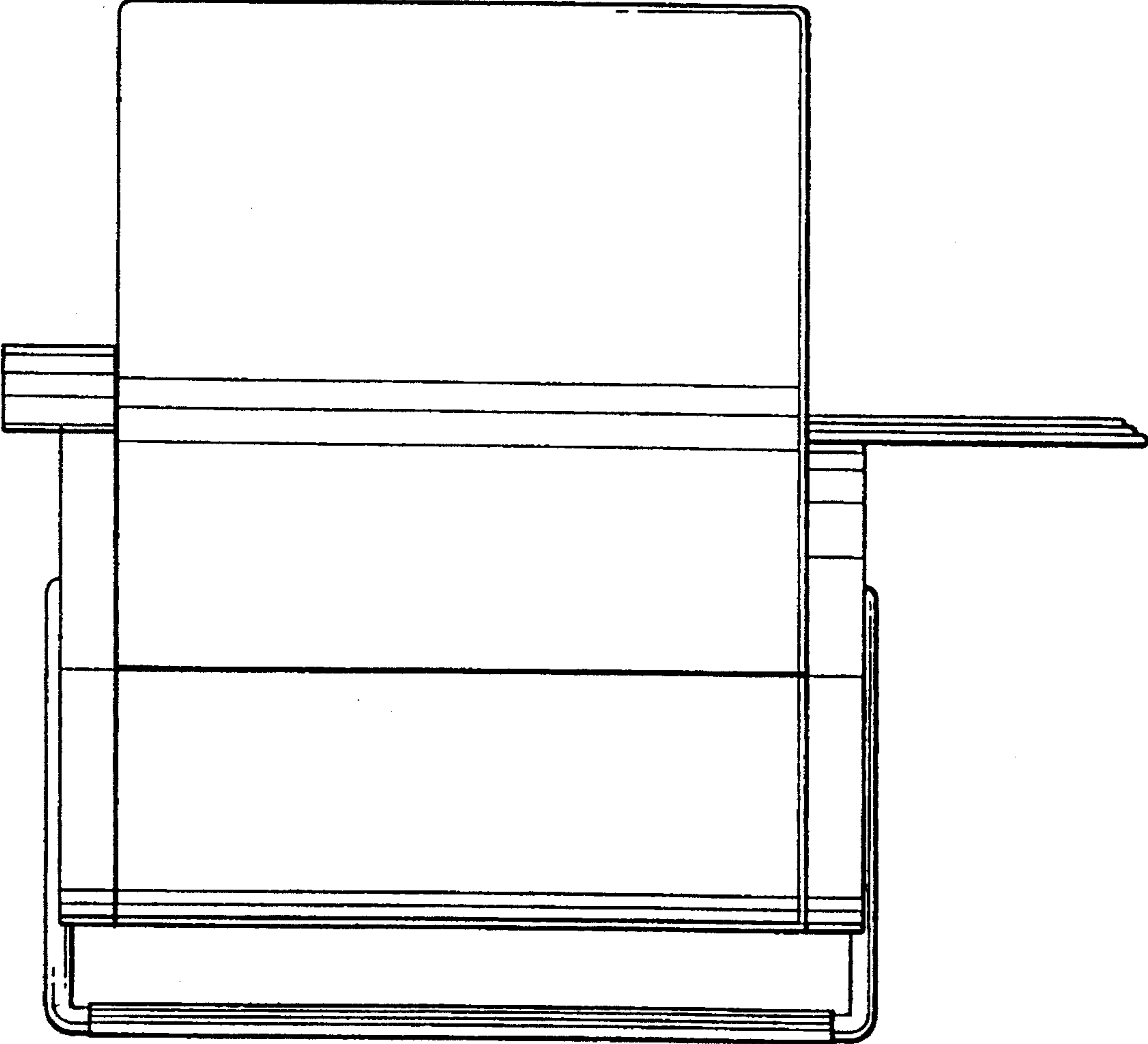


FIG. 13

FIG. 14

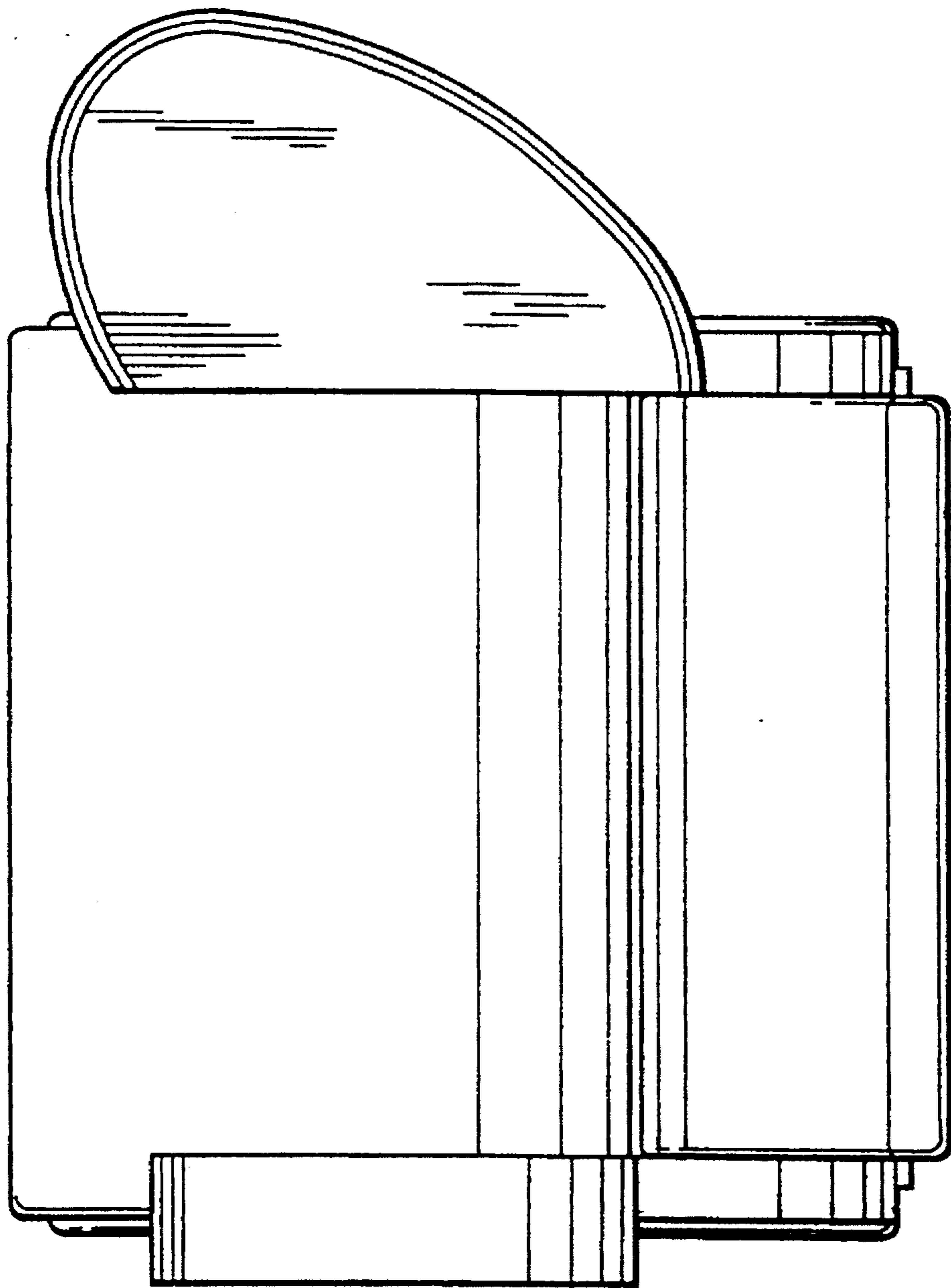


**FIG. 15**

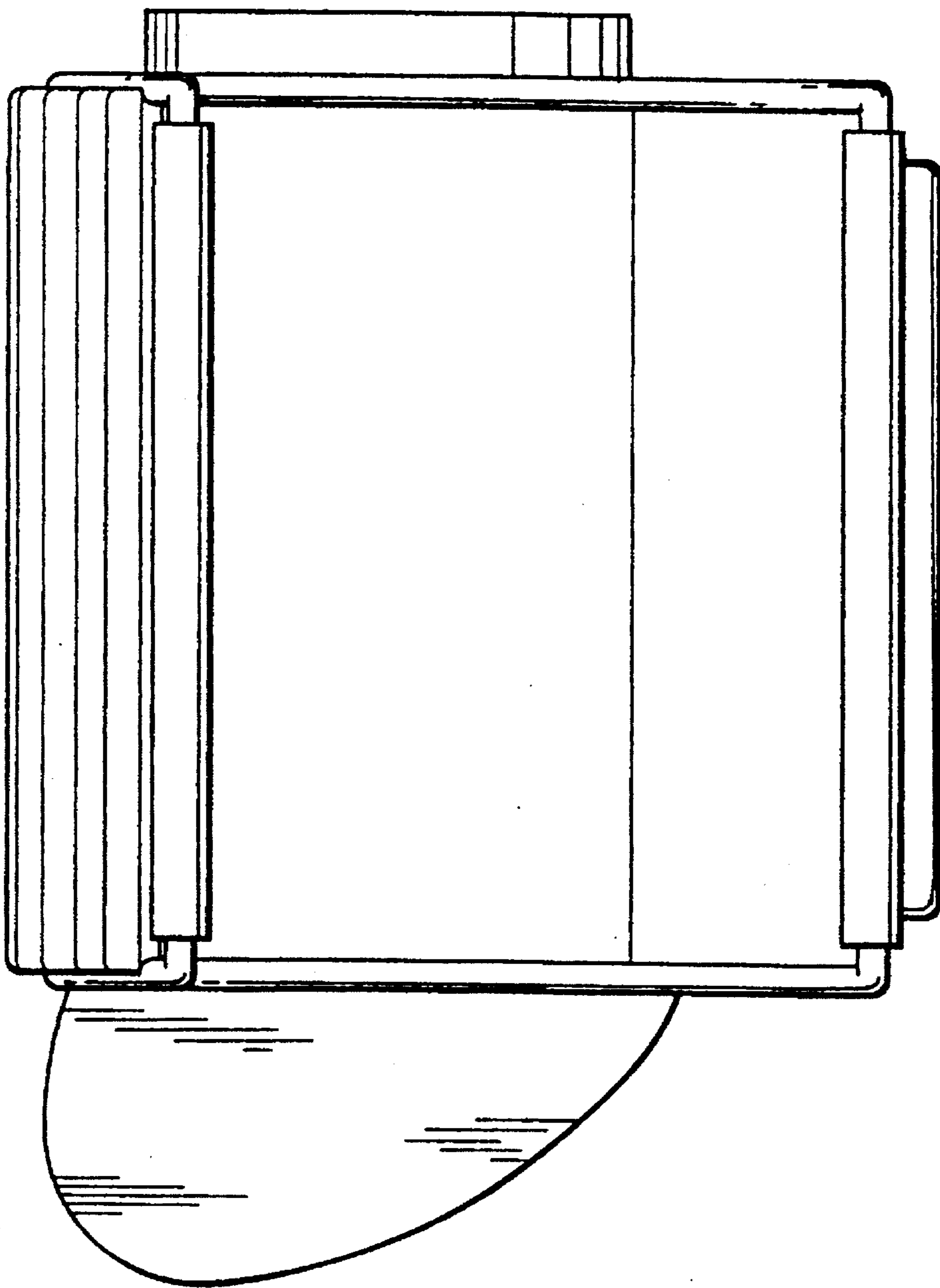




**FIG. 16**



**FIG. 17**



**FIG. 18**

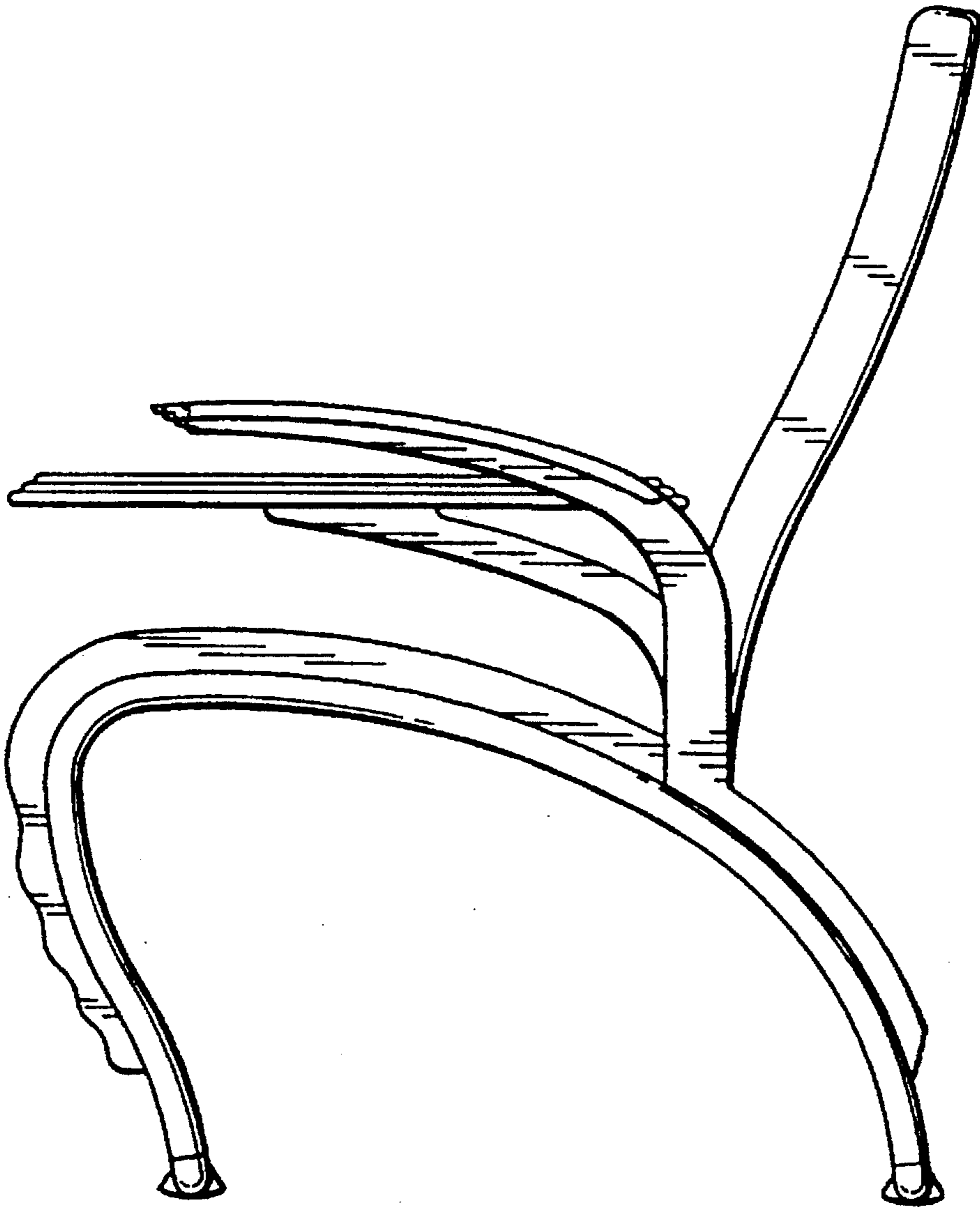


FIG. 19

