



US00D374991S

# United States Patent [19] Trapp

[11] Patent Number: **Des. 374,991**

[45] Date of Patent: **\*\*Oct. 29, 1996**

[54] **COMBINED GRILL SCRUBBER AND CONTAINER THEREFOR**

[76] Inventor: **Dale E. Trapp**, 6 Invermere Place, St. Albert, Alberta CN, Canada, T8N 5M9

[\*\*] Term: **14 Years**

[21] Appl. No.: **16,380**

[22] Filed: **Dec. 16, 1993**

[52] U.S. Cl. .... **D4/116; D4/132; D3/274**

[58] Field of Search ..... D4/116, 130, 132, D4/134, 135, 199; D3/201, 273-274, 276, 900, 905; 15/105, 184, 159.1, 160, 143.1; 206/209, 209.1, 361, 362.1, 362.2, 362.3

[56] **References Cited**

**U.S. PATENT DOCUMENTS**

2,051,009	8/1936	Porter	15/184
2,631,318	3/1953	Anderson	206/361
4,940,139	7/1990	Sandt	206/362.2

*Primary Examiner*—A. Hugo Word  
*Assistant Examiner*—Lavone D. Tabor  
*Attorney, Agent, or Firm*—Terry M. Gernstein

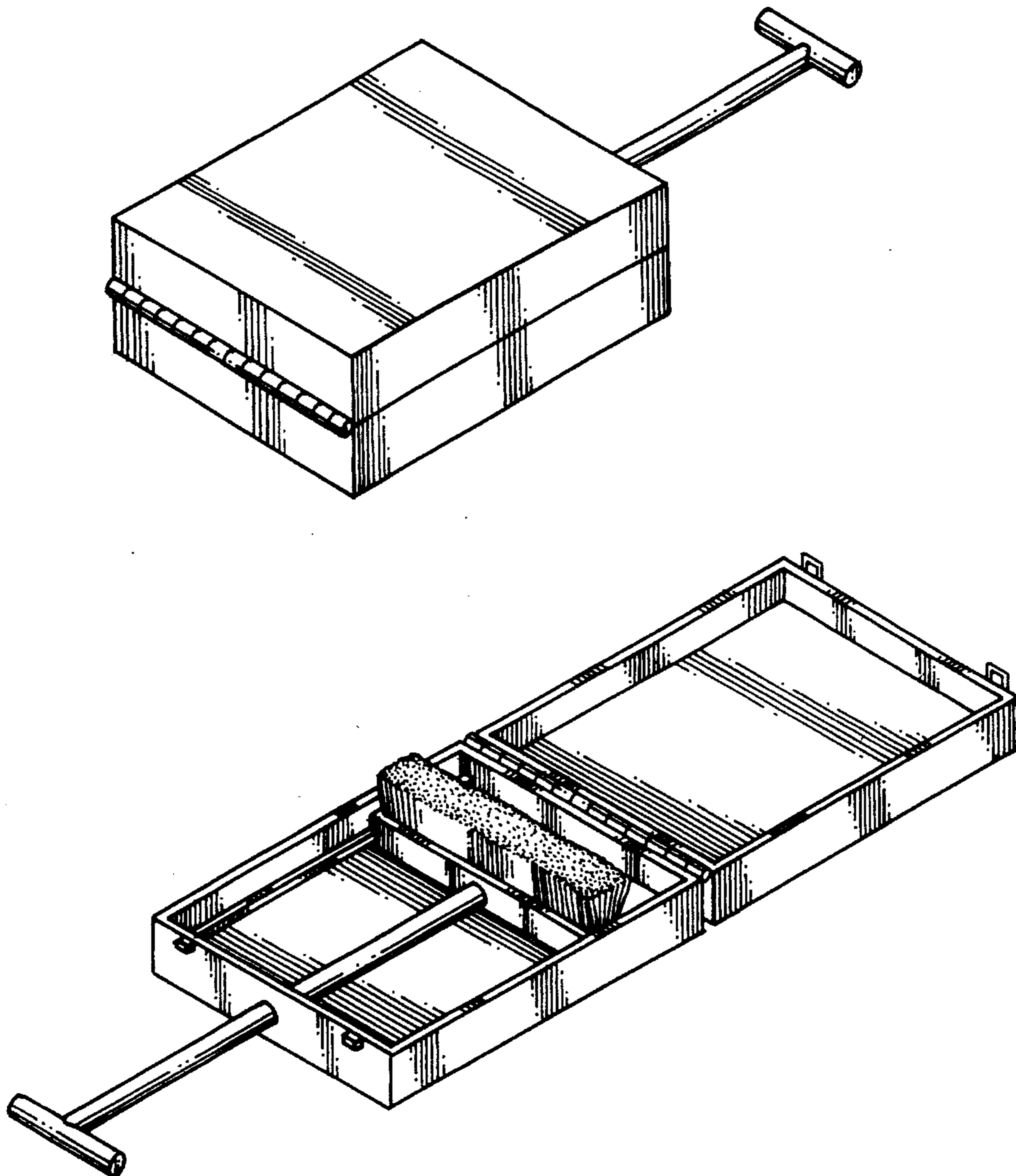
[57] **CLAIM**

The ornamental design for a combined grill scrubber and container therefor, as shown and described.

**DESCRIPTION**

FIG. 1 is a rear, top and side perspective view of the combined grill scrubber and container therefor showing my new design in the closed condition;  
FIG. 2 is a top plan view thereof;  
FIG. 3 is a bottom plan view thereof;  
FIG. 4 is a front end elevational view thereof;  
FIG. 5 is a rear end elevational view thereof;  
FIG. 6 is a side elevational view thereof, the side opposite being a mirror image of the side shown in FIG. 6;  
FIG. 7 is a perspective view thereof in the open condition; and,  
FIG. 8 is a perspective view thereof.

**1 Claim, 4 Drawing Sheets**



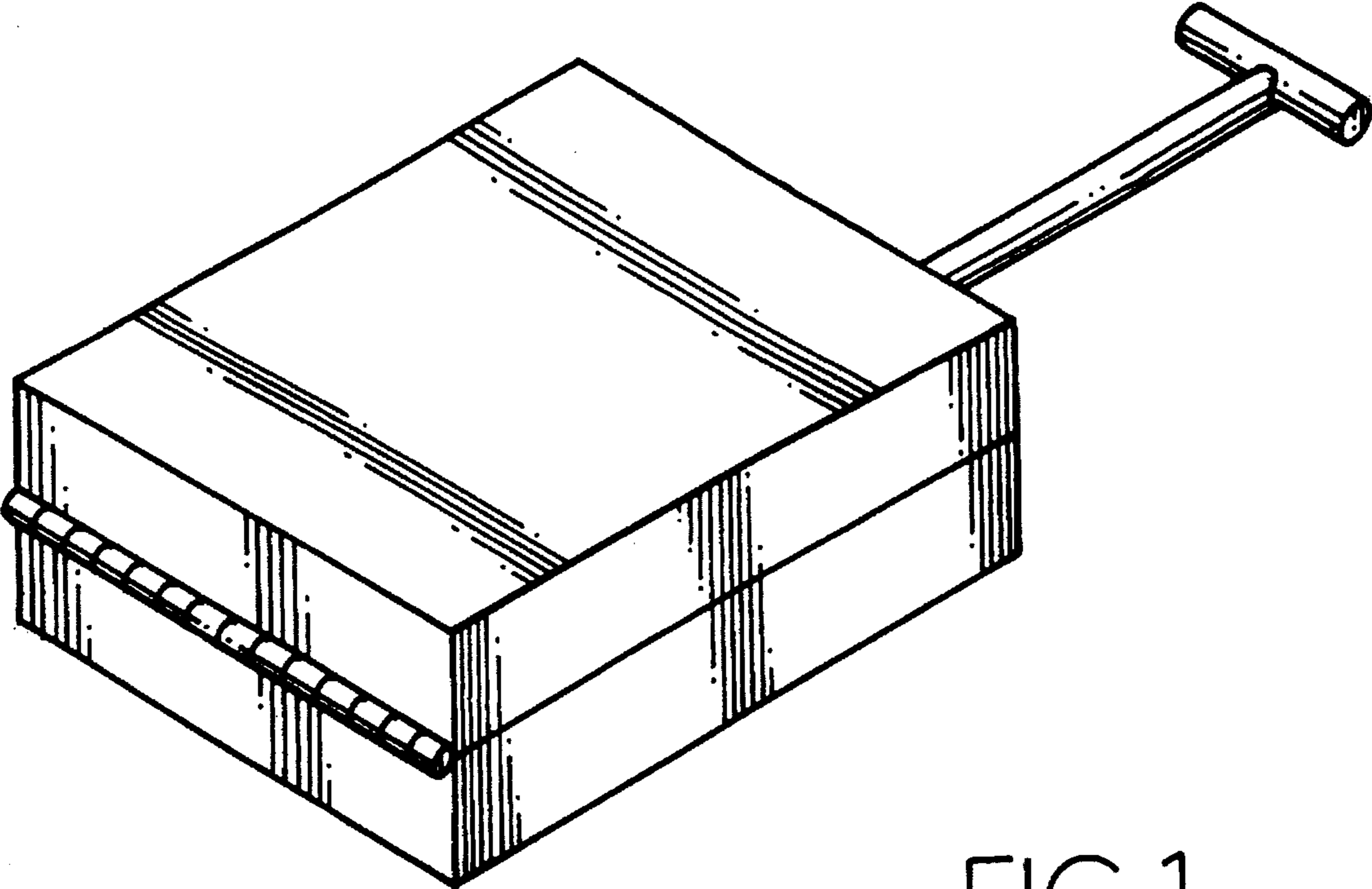


FIG.1.

FIG. 2.

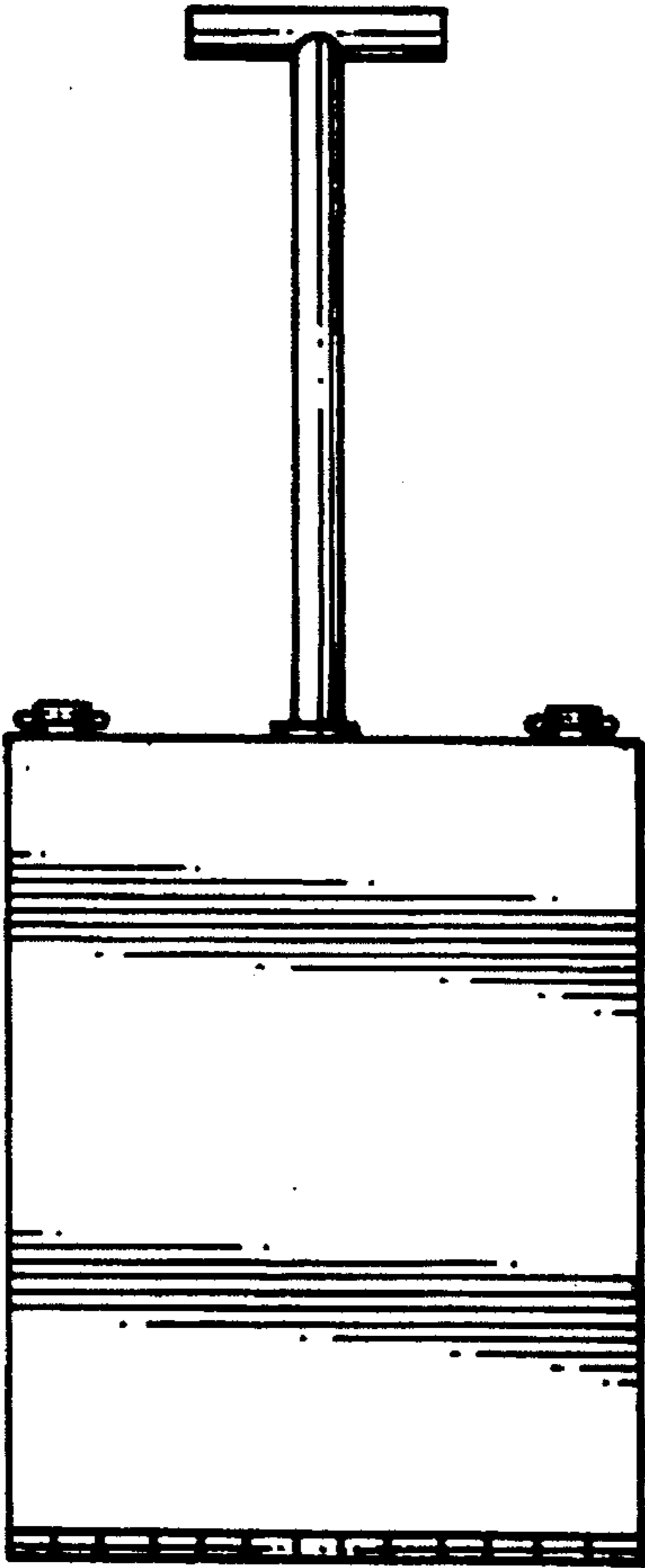


FIG. 3.

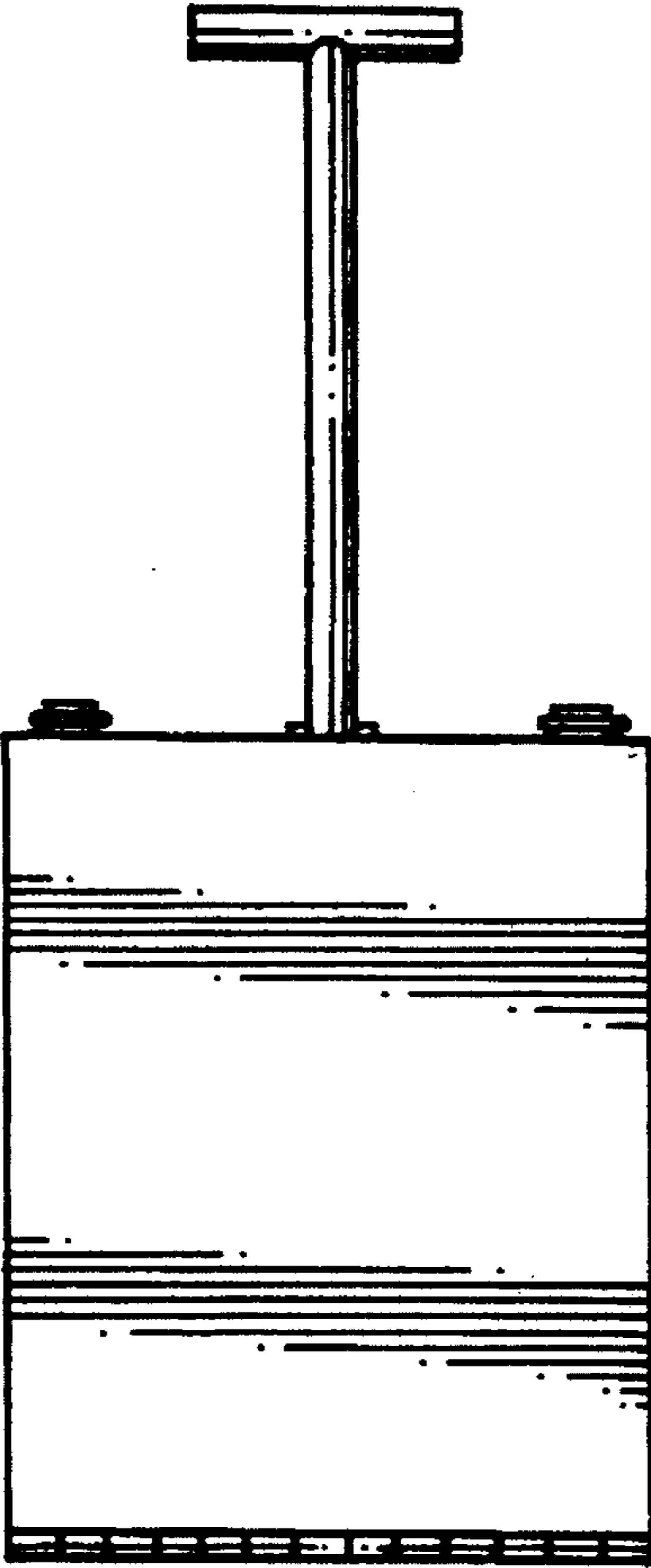


FIG. 4.

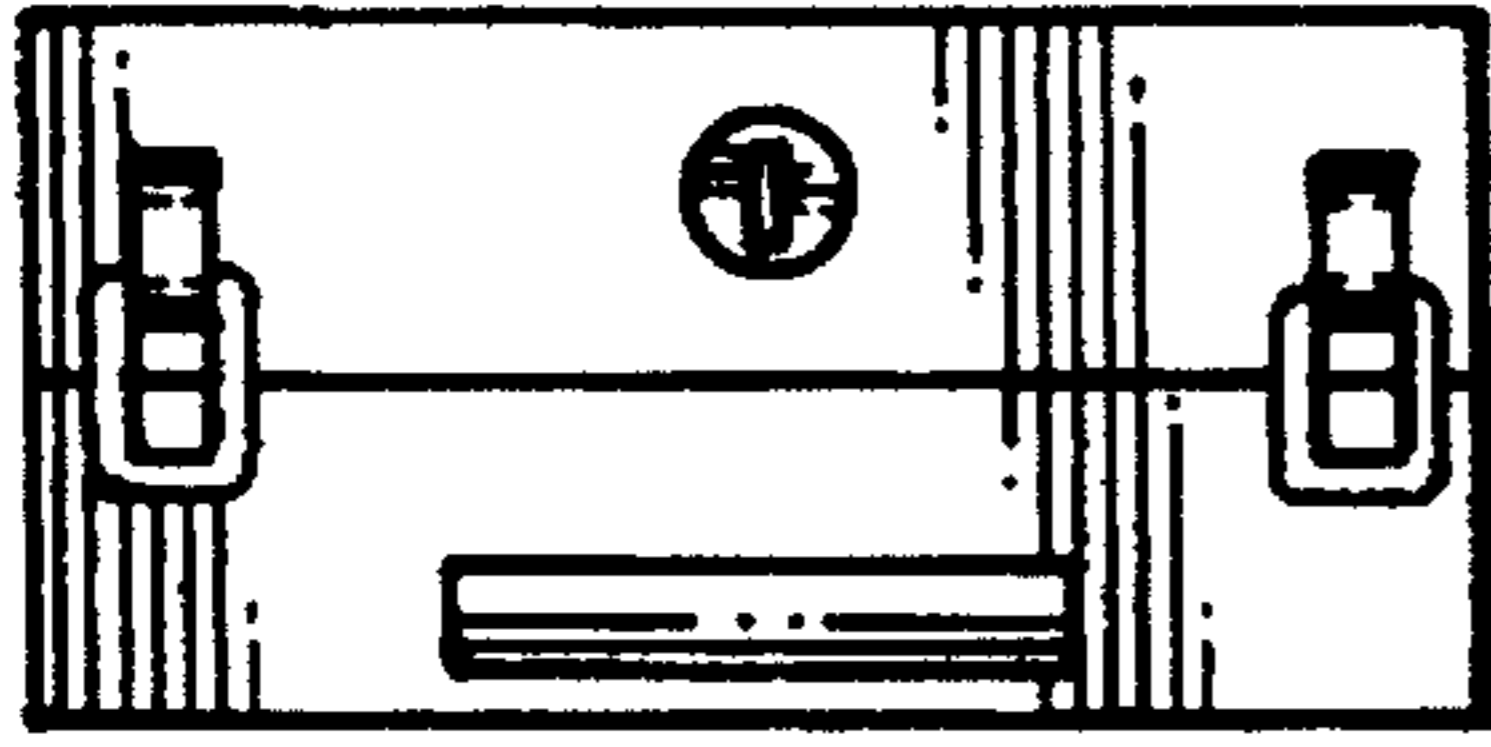


FIG. 5.

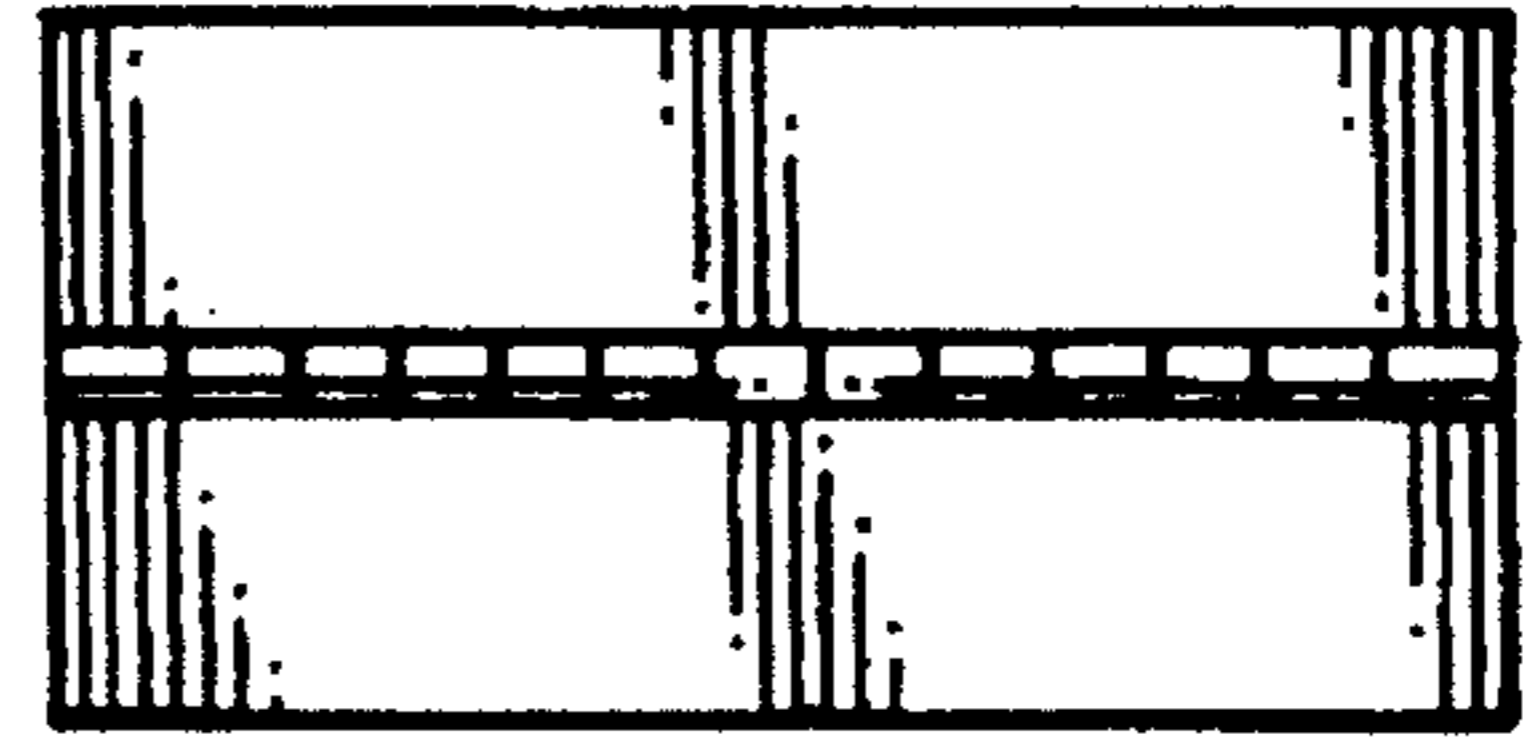


FIG. 6.

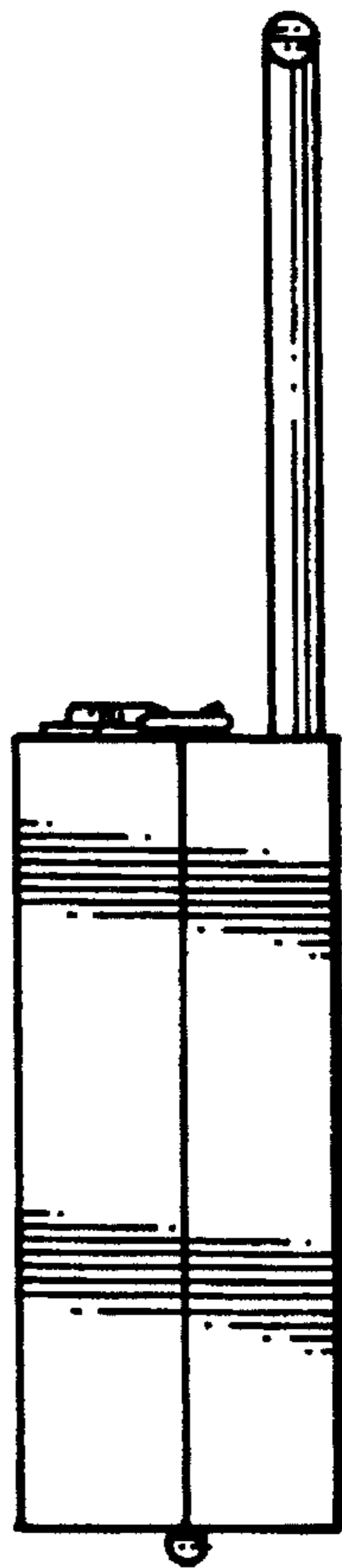


FIG. 7.

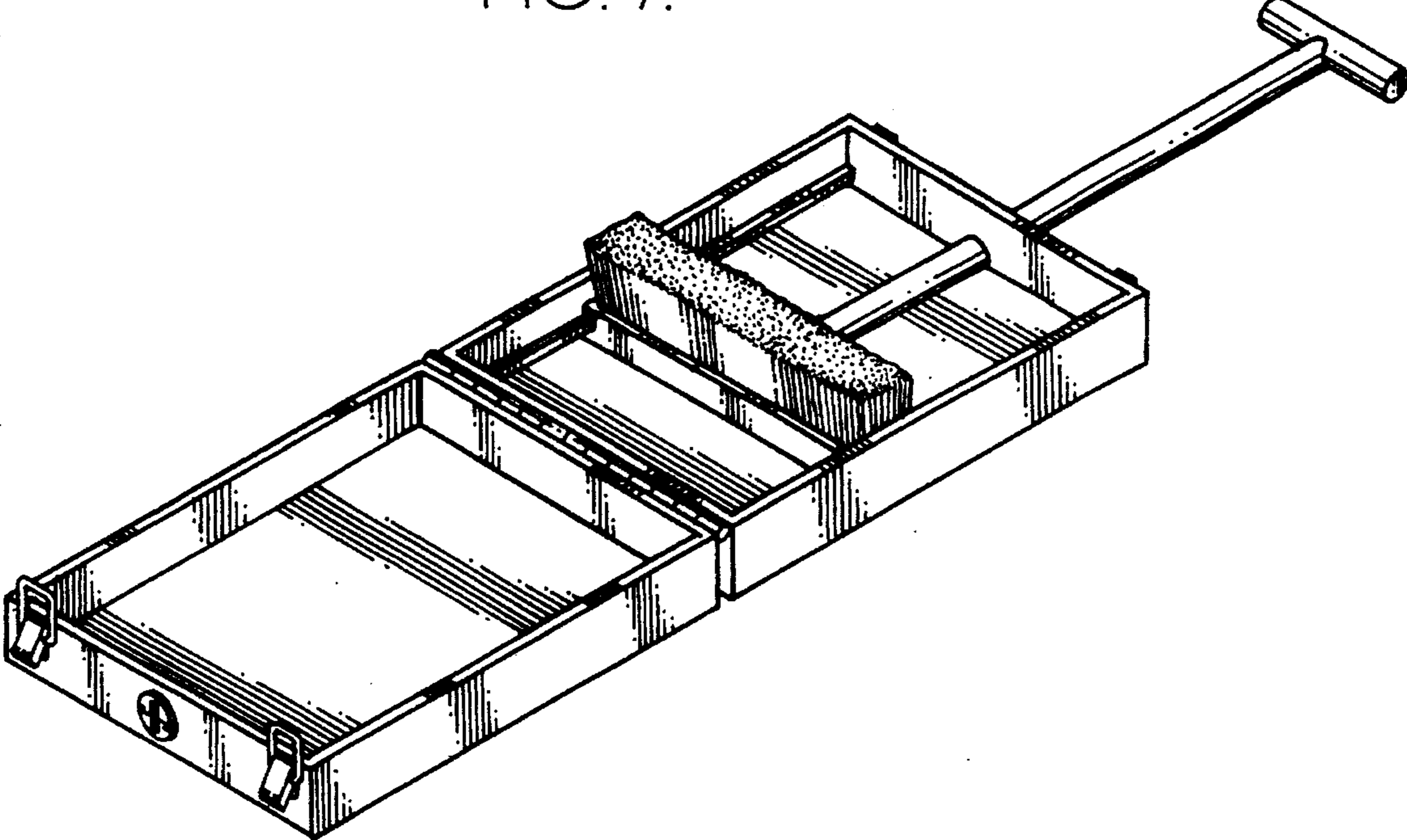


FIG. 8.

