



US00D374984S

United States Patent [19]

Scott

[11] Patent Number: **Des. 374,984**

[45] Date of Patent: ****Oct. 29, 1996**

[54] **MAGNETIC TOOL HOLDER**

[76] Inventor: **James P. Scott**, 4516 Lakevalley Dr., Hoover, Ala. 35244

[**] Term: **14 Years**

[21] Appl. No.: **38,213**

[22] Filed: **May 1, 1995**

[52] U.S. Cl. **D3/228**

[58] Field of Search D3/215, 228, 905; 224/163, 183, 904, 915, 908, 920; 206/818

[56] **References Cited**

U.S. PATENT DOCUMENTS

D. 270,265	8/1983	Kircher et al.	D3/230 X
D. 364,955	12/1995	Gringer et al.	D3/228
2,176,052	10/1939	Beyer	D3/215 X
4,826,059	5/1989	Bosch et al.	224/250 X

Primary Examiner—Doris V. Coles
Assistant Examiner—Catherine R. Oliver
Attorney, Agent, or Firm—Veal & Marsh

[57] **CLAIM**

The ornamental design for the magnetic tool holder, as shown and described.

DESCRIPTION

FIG. 1 is a front perspective view of a magnetic tool holder showing my new design;

FIG. 2 is a rear perspective view thereof;

FIG. 3 is a front elevational view thereof;

FIG. 4 is a rear elevational view thereof;

FIG. 5 is a side elevational view as seen from the left side of FIG. 3;

FIG. 6 is a side elevational view as seen from the right side of FIG. 3;

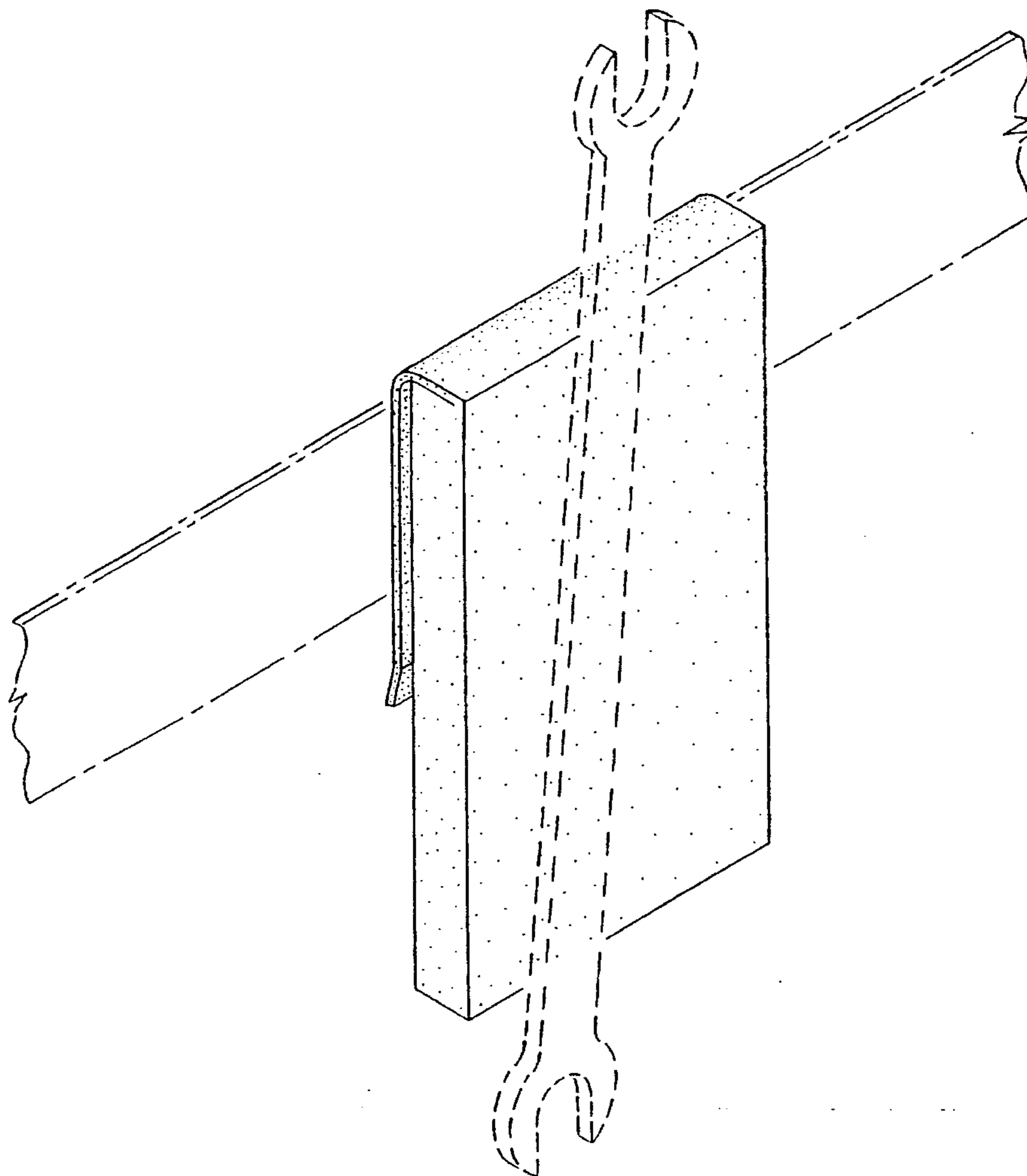
FIG. 7 is a bottom view thereof;

FIG. 8 is a bottom view thereof; and,

FIG. 9 is a front perspective view showing a tool and belt in broken lines illustrating environmental structure.

The broken line showing of a tool in FIG. 9 is for illustrative purposes only and forms no part of the claimed design.

1 Claim, 3 Drawing Sheets



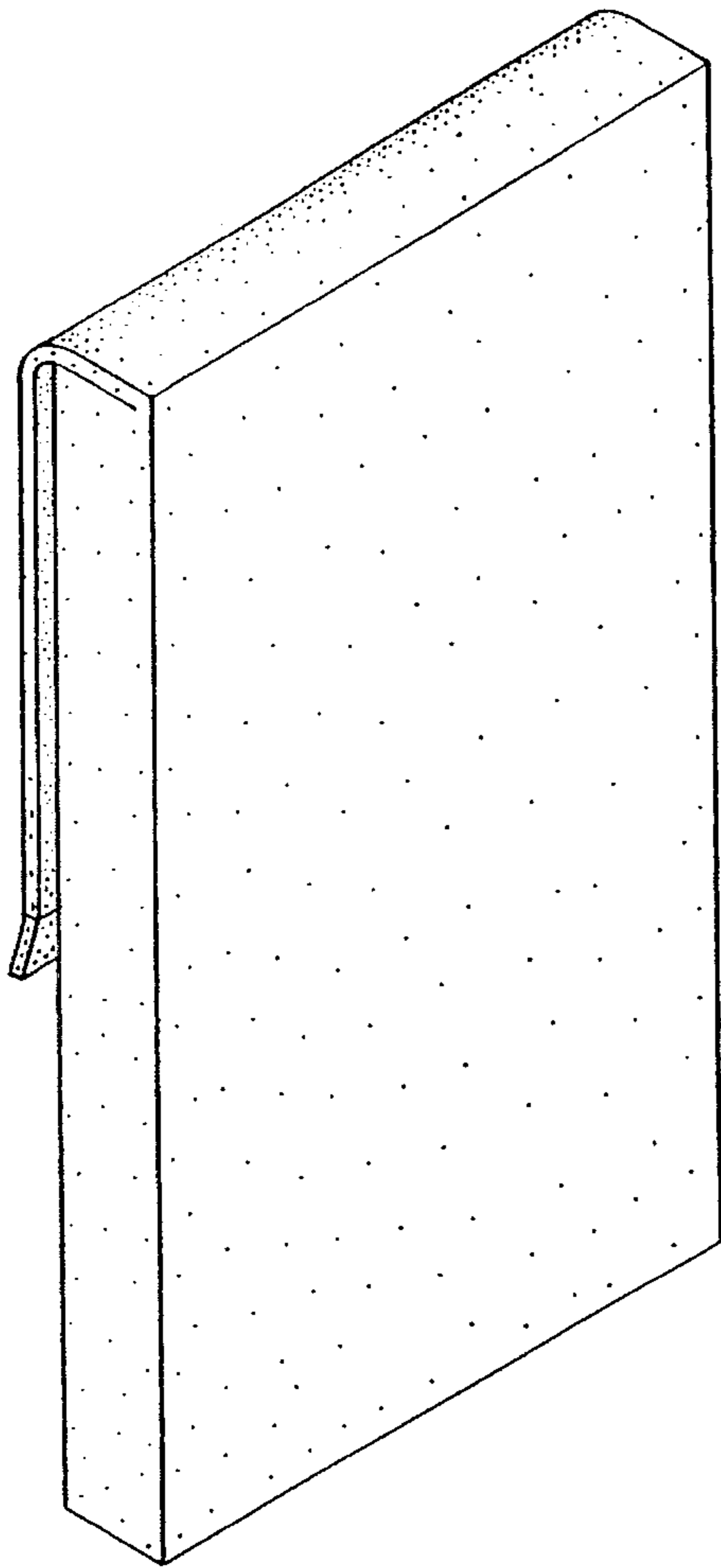


FIG. 1

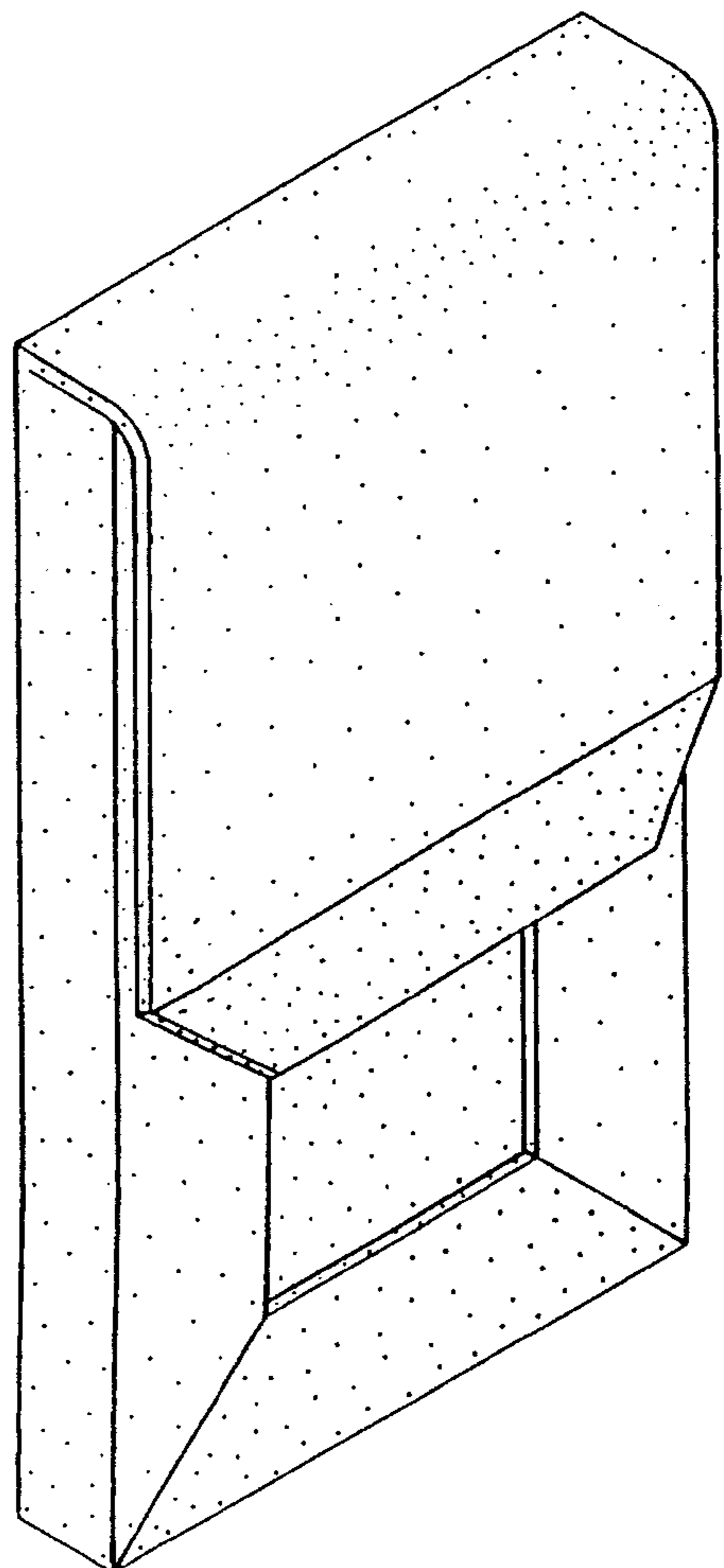


FIG. 2

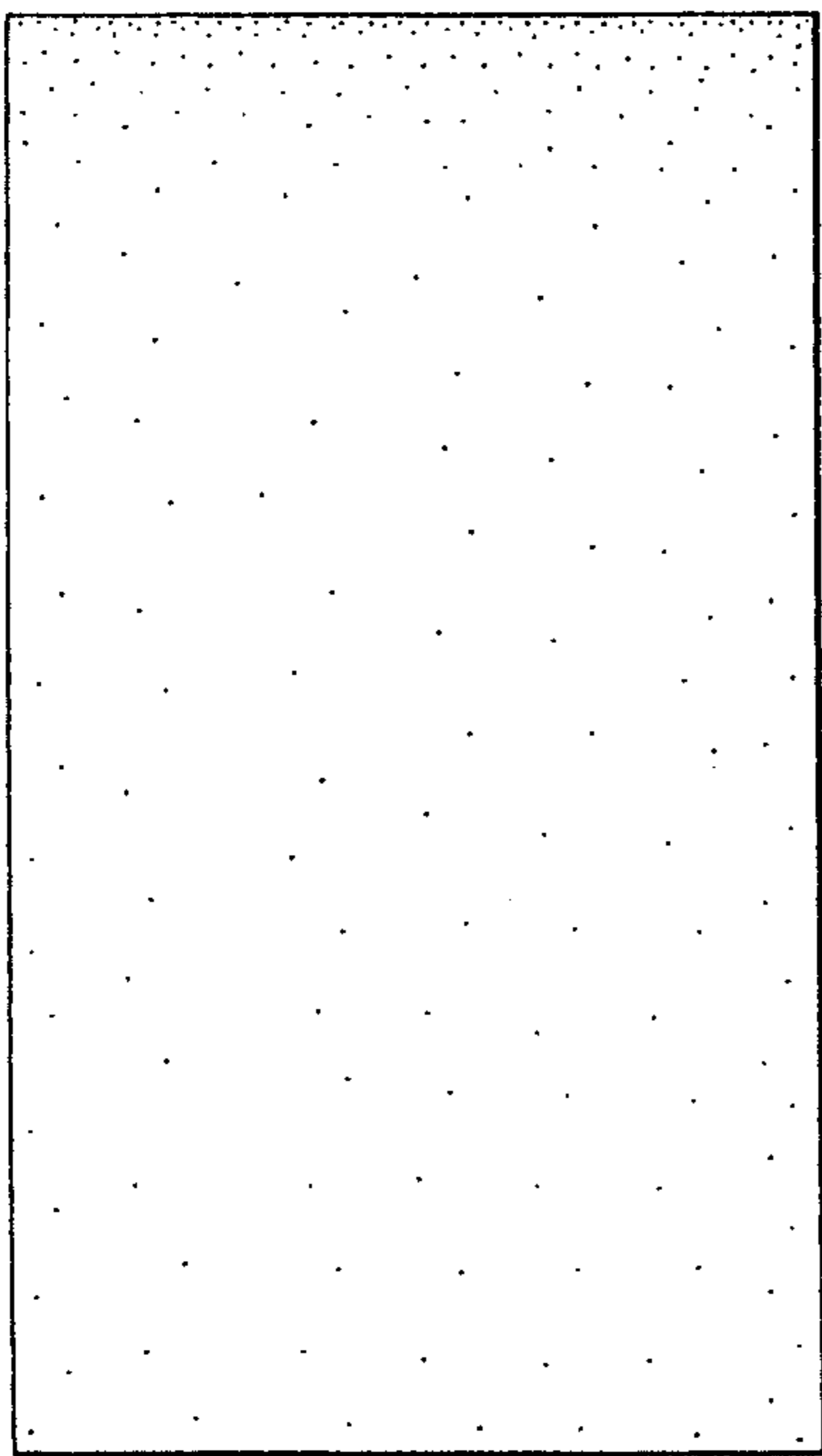


FIG. 3

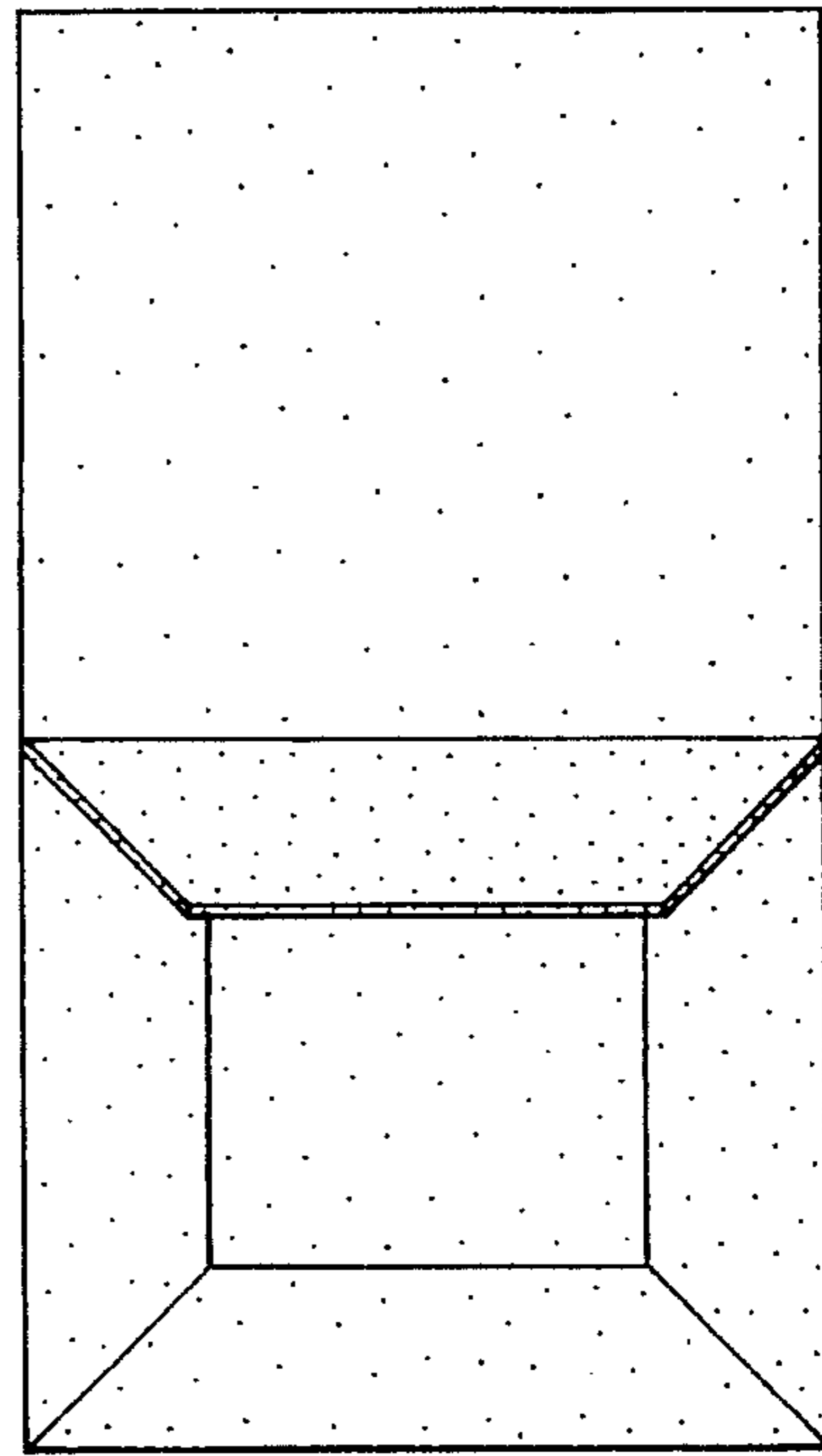


FIG. 4

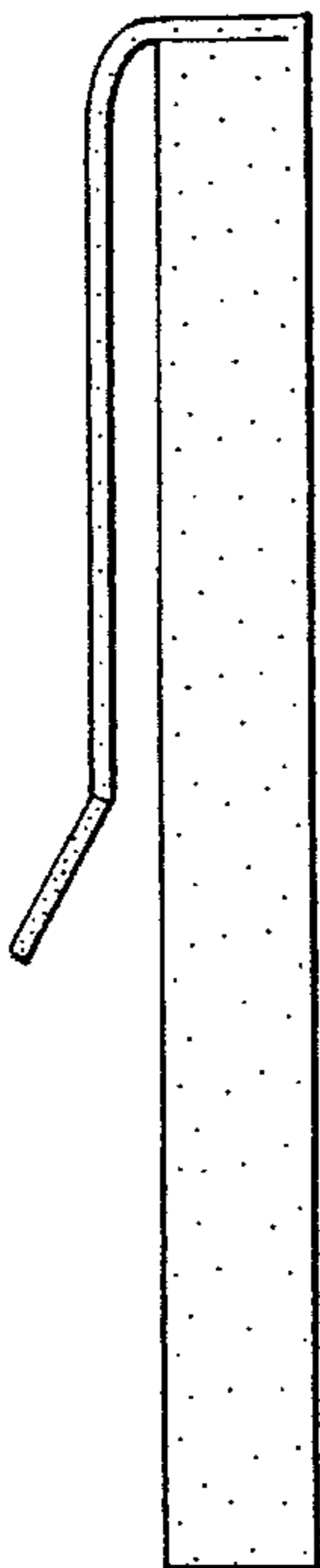


FIG. 5

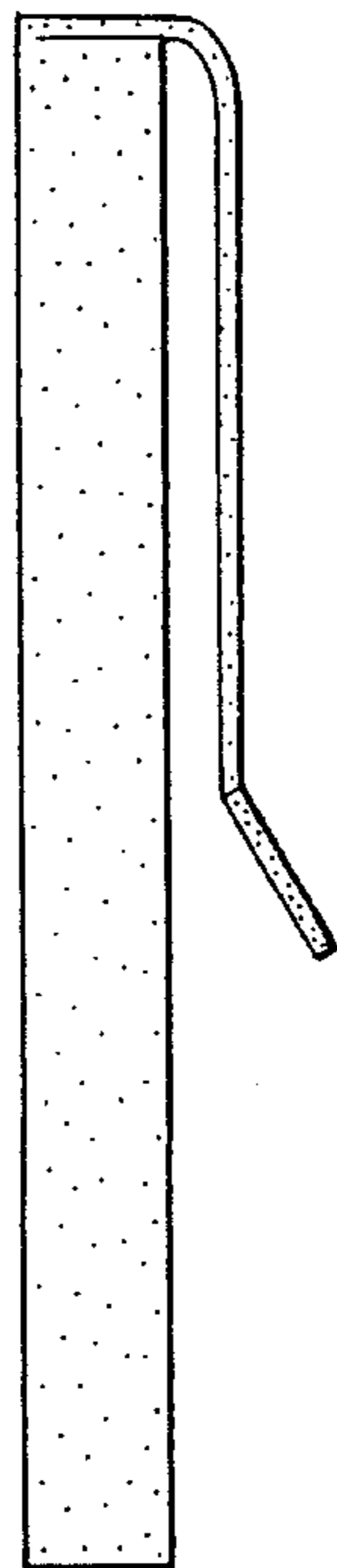


FIG. 6

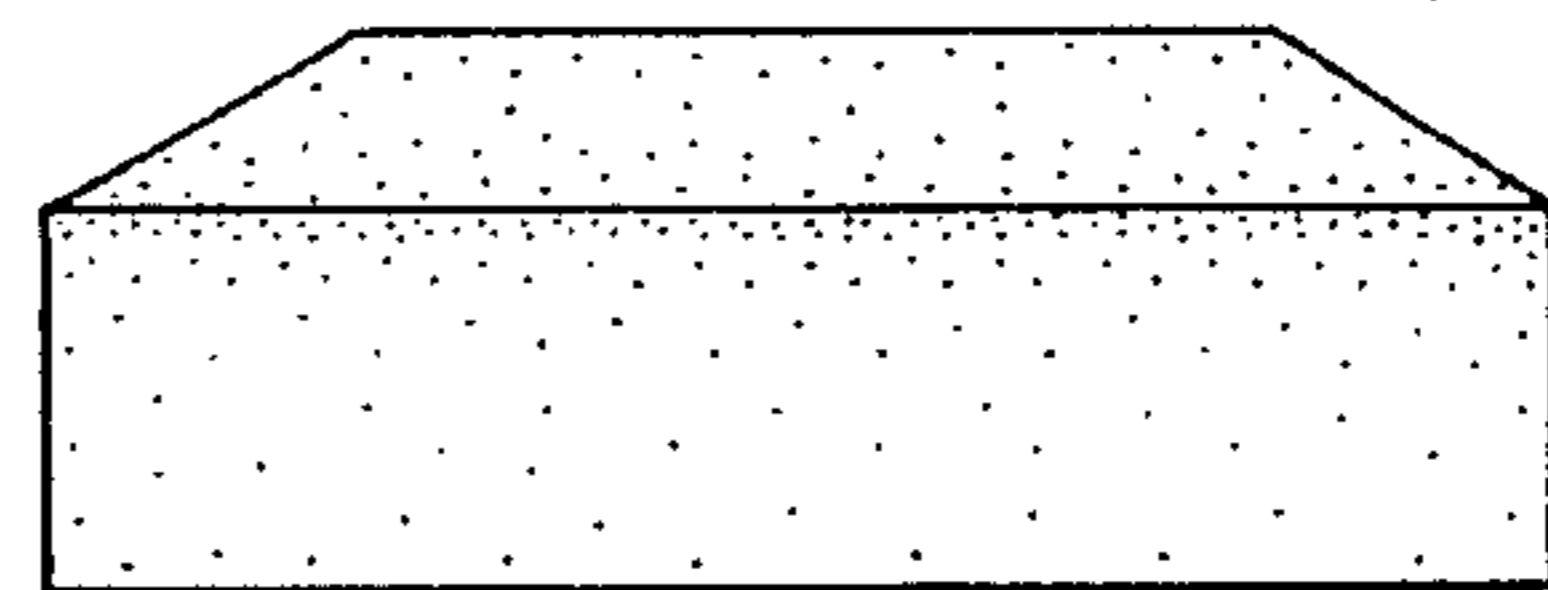


FIG. 7

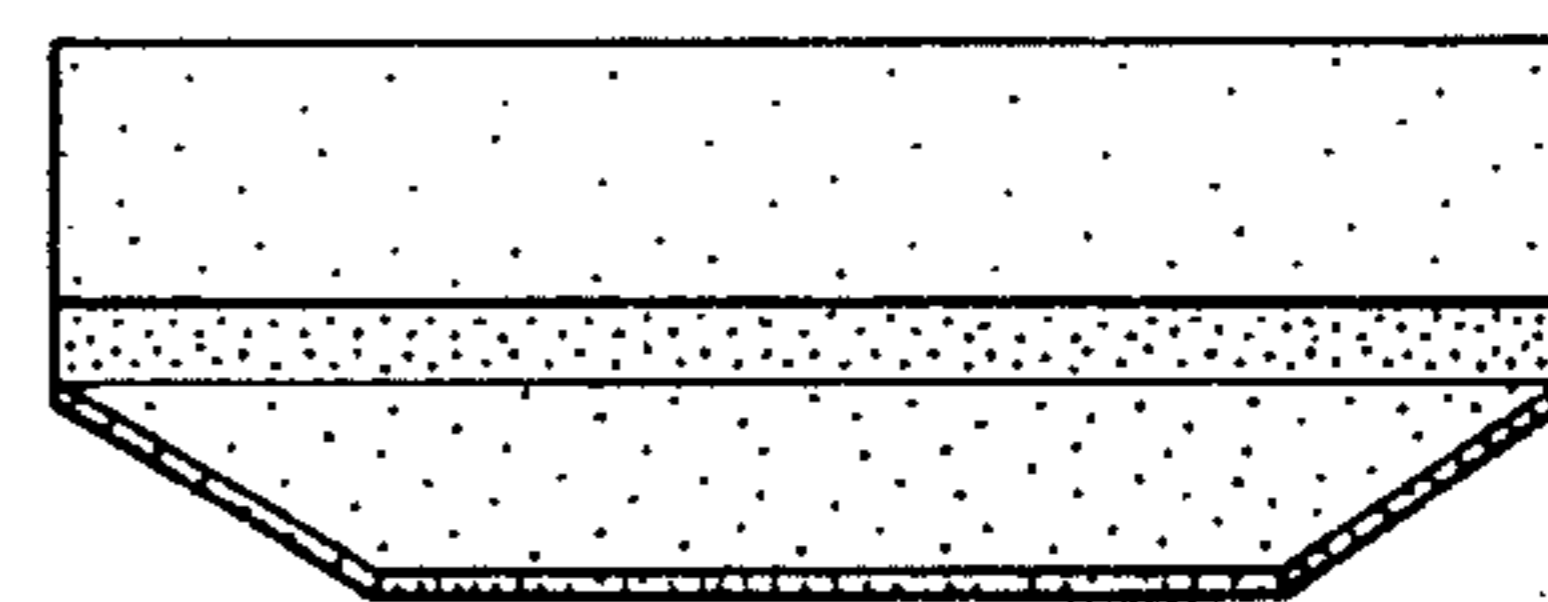


FIG. 8

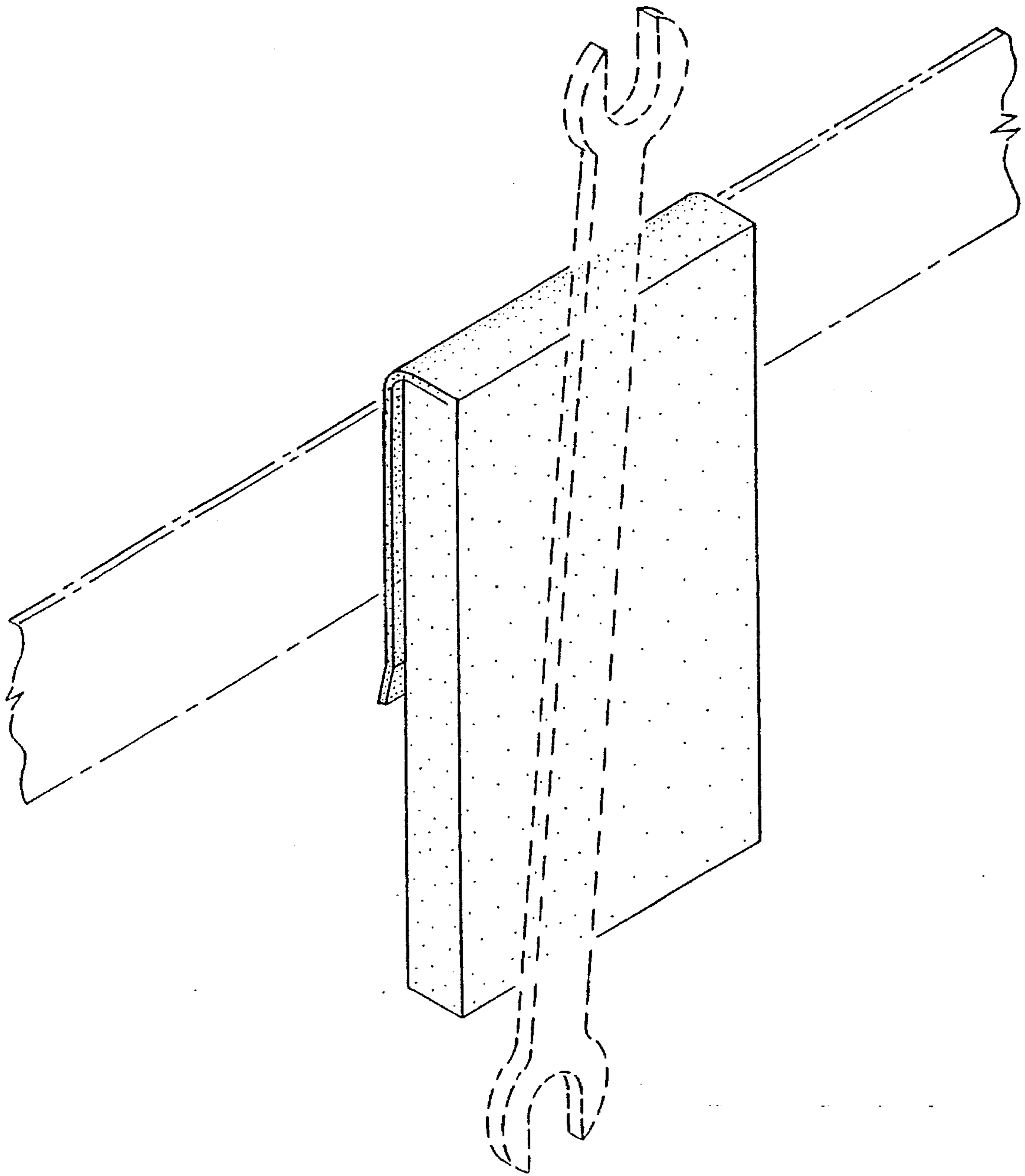


FIG. 9

UNITED STATES PATENT AND TRADEMARK OFFICE
CERTIFICATE OF CORRECTION

PATENT NO. : Des. 374,984
DATED : October 29, 1996
INVENTOR(S) : James P. Scott

It is certified that error appears in the above-identified patent and that said Letters Patent is hereby corrected as shown below:

Title page, item [57],
Under description, Fig. 7 is a bottom view thereof;

SHOULD BE

Under description, Fig. 7 is a top plan view thereof;

Signed and Sealed this

Fourteenth Day of January, 1997



BRUCE LEHMAN

Commissioner of Patents and Trademarks

Attest:

Attesting Officer