



US00D374966S

United States Patent [19]

[11] Patent Number: **Des. 374,966**

Matassa

[45] Date of Patent: ****Oct. 22, 1996**

[54] **BEACH SAFE**

Primary Examiner—B. J. Bullock
Assistant Examiner—Robert M. Spear
Attorney, Agent, or Firm—Longacre & White

[76] Inventor: **Nanette Matassa**, 200 SE. 12th Ave.
Apt. 414, Fort Lauderdale, Fla. 33301

[**] Term: **14 Years**

[57] CLAIM

[21] Appl. No.: **30,077**

The ornamental design for a beach safe, as shown and described.

[22] Filed: **Oct. 17, 1994**

DESCRIPTION

[52] U.S. Cl. **D99/28; D99/29**

[58] Field of Search D99/28, 99; D6/417,
D6/423, 436, 445; 109/53, 56; 232/24,
25, 27

FIG. 1 is a front elevation view of a beach safe showing my new design;

FIG. 2 is a back elevation view of the beach safe shown in FIG. 1;

FIG. 3 is a top plan view of the beach safe shown in FIG. 1;

FIG. 4 is a left-side elevation view of the beach safe shown in FIG. 1; and,

FIG. 5 is a right-side elevation view of the beach safe shown in FIG. 1.

[56] References Cited

U.S. PATENT DOCUMENTS

D. 293,154	12/1987	McKellar	D99/99
D. 335,377	5/1993	Speciale	D99/28
618,846	2/1899	Crowder	232/25
3,784,089	1/1974	Koch	232/24
4,557,416	12/1985	Stahl et al.	232/24
4,836,352	6/1989	Tateno et al.	232/27

OTHER PUBLICATIONS

Rear loading mailbox (6700 Series), Bommer Postal Specialties Catalog, 1994 *Sweet's Catalog*, p. 10550/BOM.
"Mini-Check" Cluster Storage Unit, 1994 *Sweet's Catalog*, p. 10500/AME.

The broken line showing of the ground is for illustrative purposes only and forms no part of the claimed design.

1 Claim, 3 Drawing Sheets

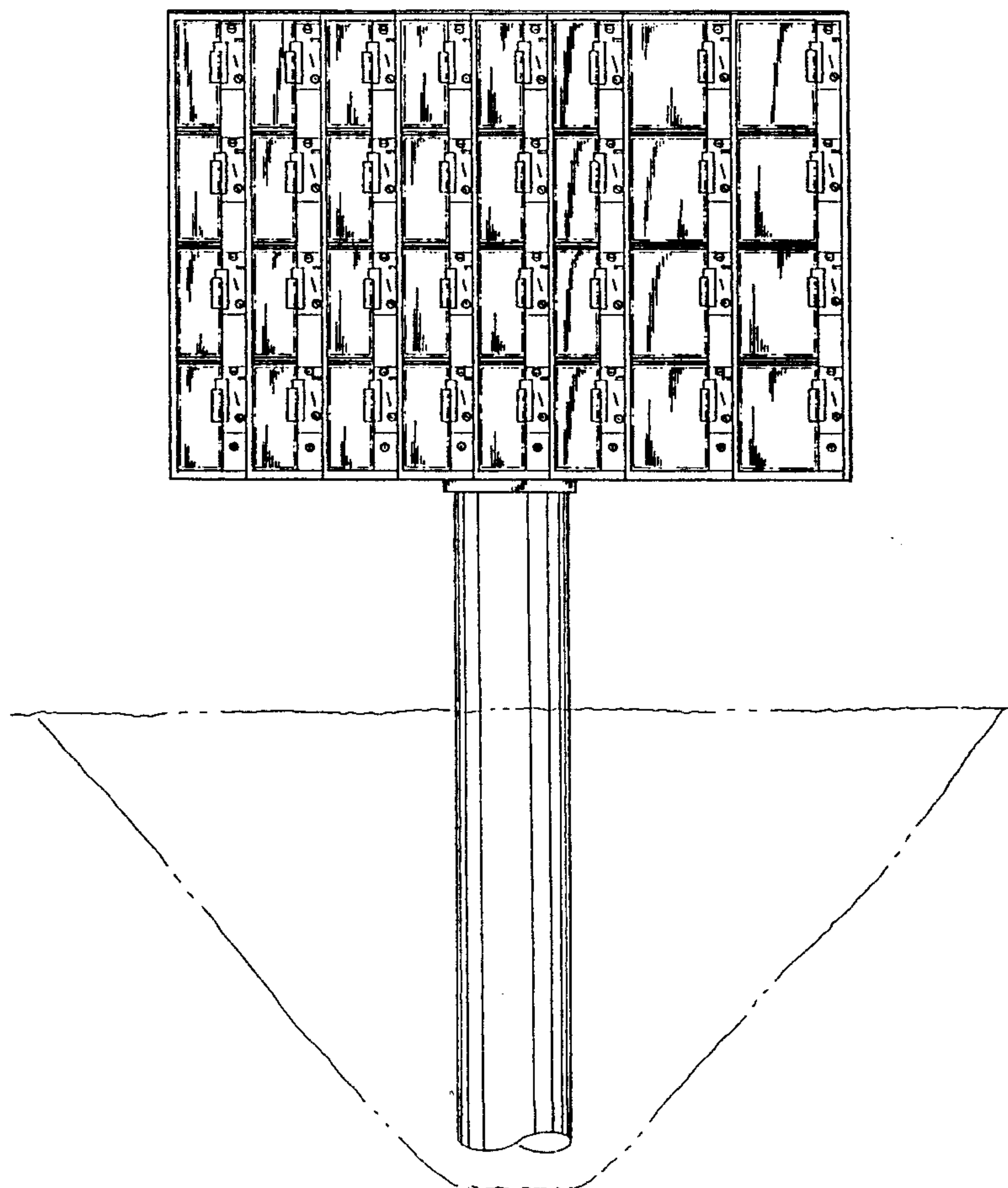


FIG. 1

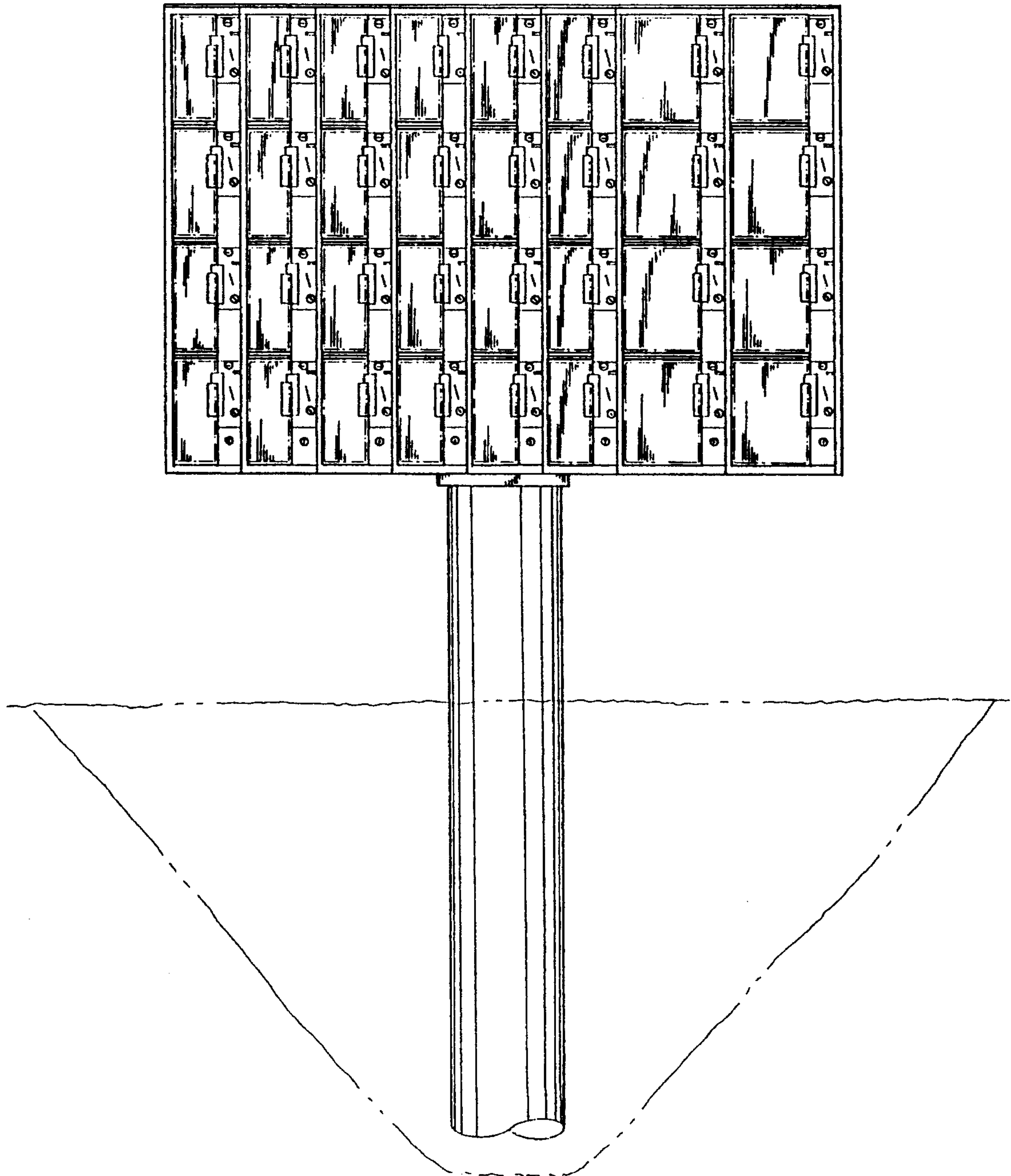


FIG. 2

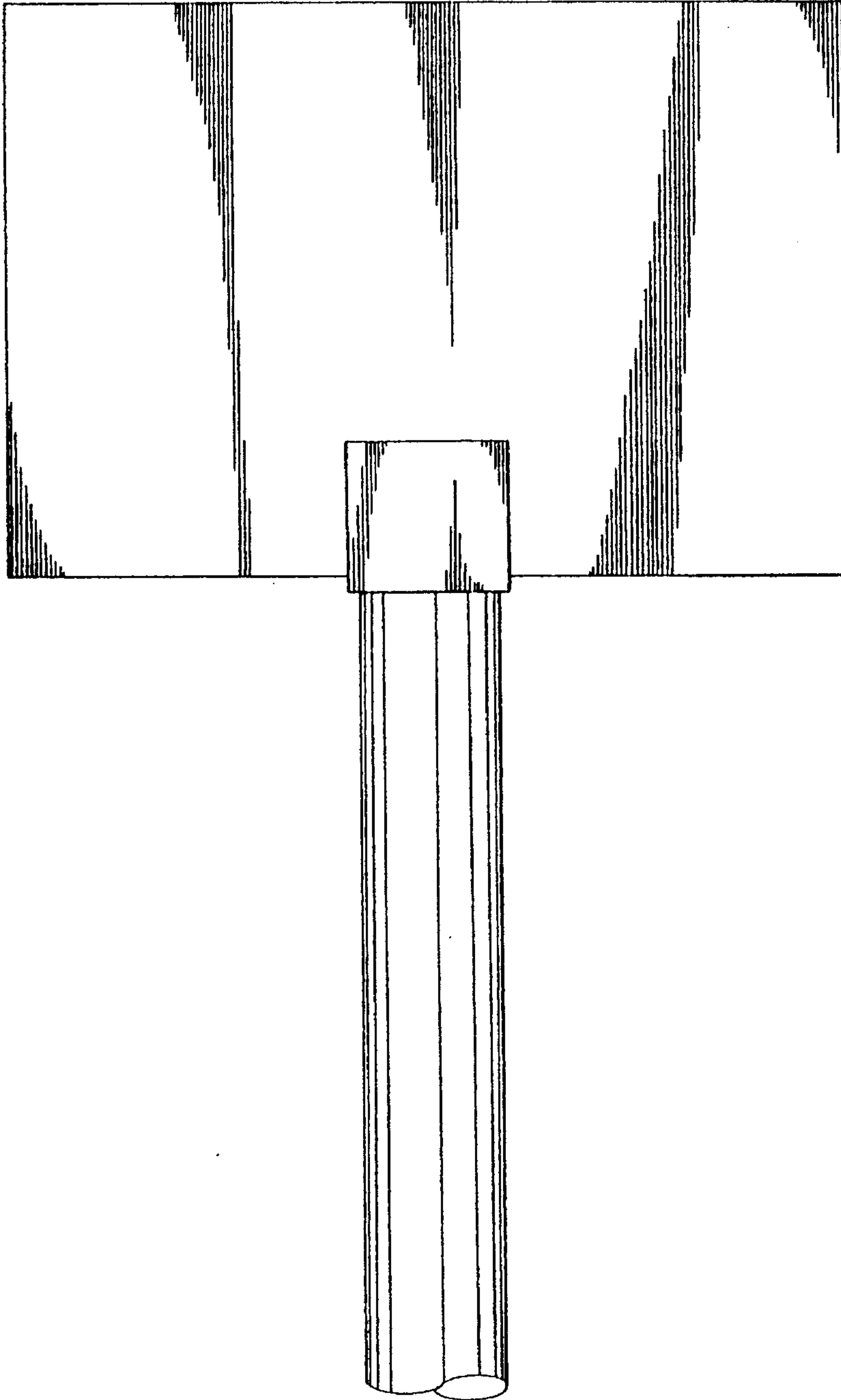


FIG. 3

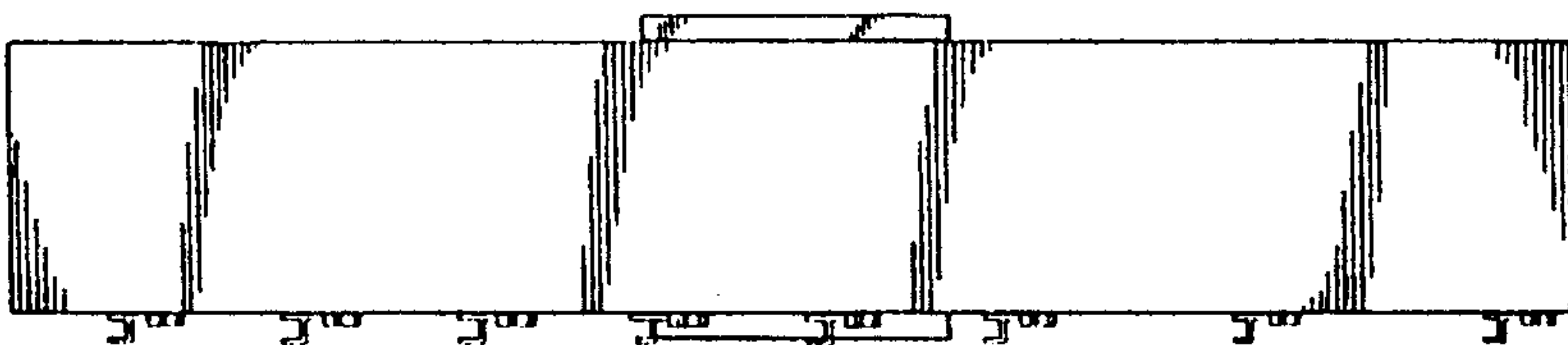


FIG. 4

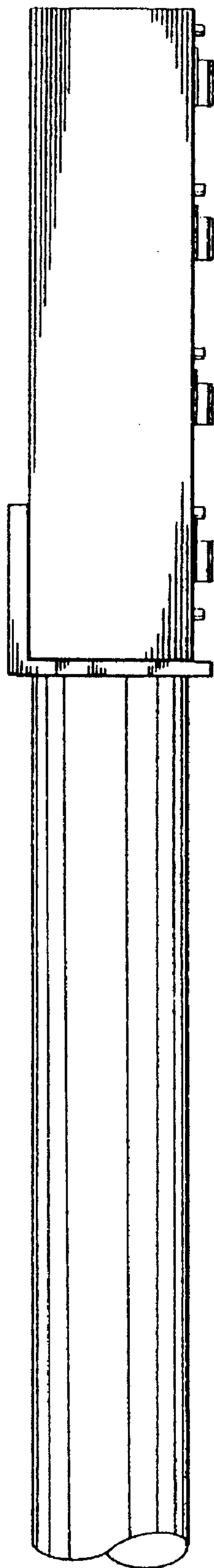


FIG. 5

