



US00D374960S

# United States Patent [19]

Tobin

[11] Patent Number: **Des. 374,960**

[45] Date of Patent: **\*\*Oct. 22, 1996**

[54] CASKET

[76] Inventor: **Robert A. Tobin**, 1842 Turk Hill Rd., Fairport, N.Y. 14450

[\*\*] Term: **14 Years**

[21] Appl. No.: **36,695**

[22] Filed: **Mar. 24, 1995**

[52] U.S. Cl. .... **D99/1**

[58] Field of Search ..... D99/1-10; 27/1, 27/2, 5, 6, 35

D. 277,297	1/1985	Jennings et al. ....	D99/1
D. 292,635	11/1987	McCormack et al. ....	D99/1
D. 355,747	2/1995	Tobin .....	D99/1
381,194	4/1888	Walker .....	27/5
482,557	9/1892	Hill .....	27/6
4,050,125	9/1977	Malbon .....	27/2

*Primary Examiner*—B. J. Bullock

*Assistant Examiner*—S. Snapp

[57] **CLAIM**

The ornamental design for a casket, as shown and described.

### DESCRIPTION

FIG. 1 is a front, right end and top perspective view of a casket;

FIG. 2 is a back view;

FIG. 3 is a bottom view; and,

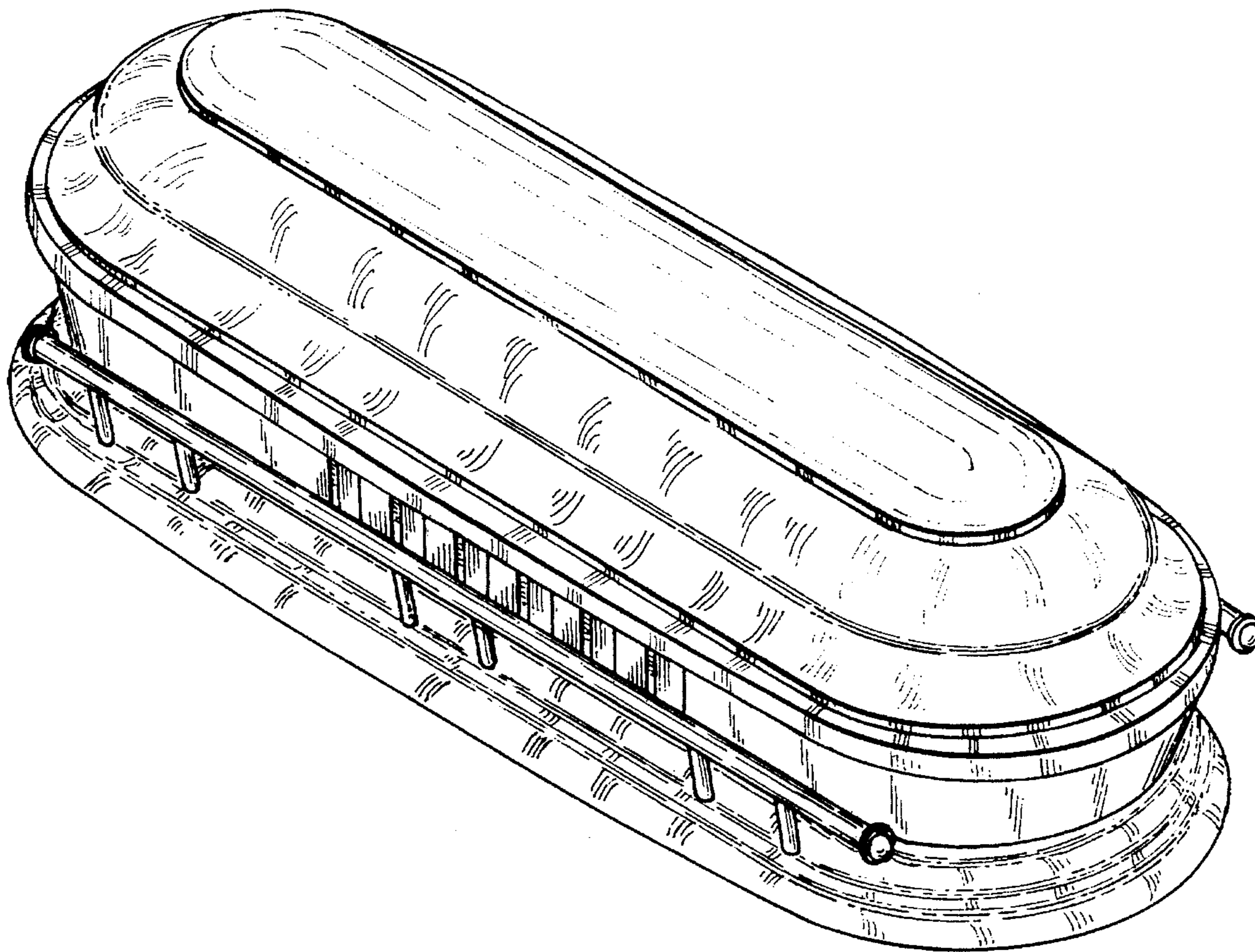
FIG. 4 is a left end view.

**1 Claim, 1 Drawing Sheet**

[56] **References Cited**

**U.S. PATENT DOCUMENTS**

D. 18,172	3/1888	Sparks .....	D99/1
D. 103,621	3/1937	Stronk .....	D99/1
D. 105,244	7/1937	Larson .....	D99/1
D. 183,984	11/1958	Volkel .....	D99/1





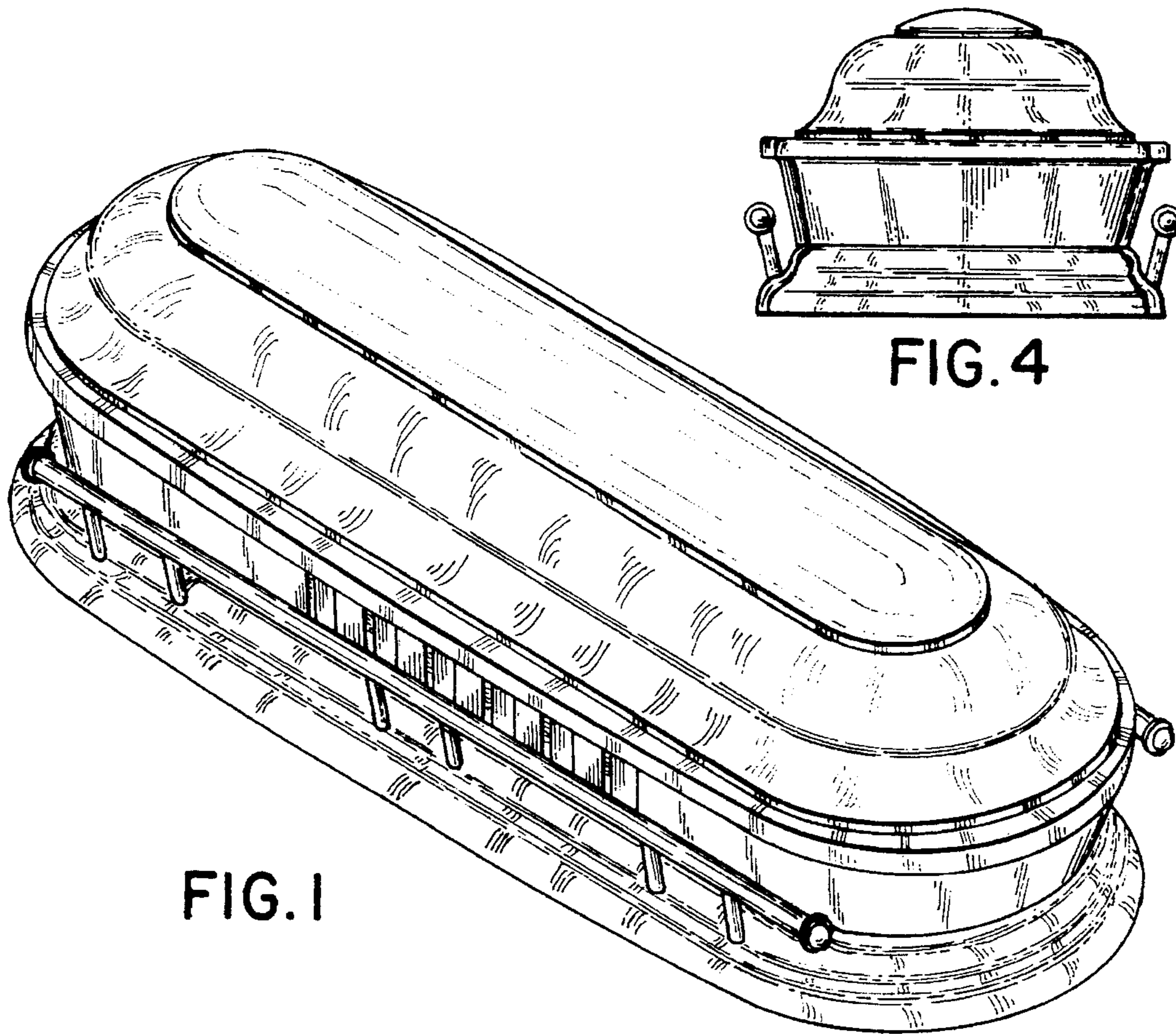


FIG. 1

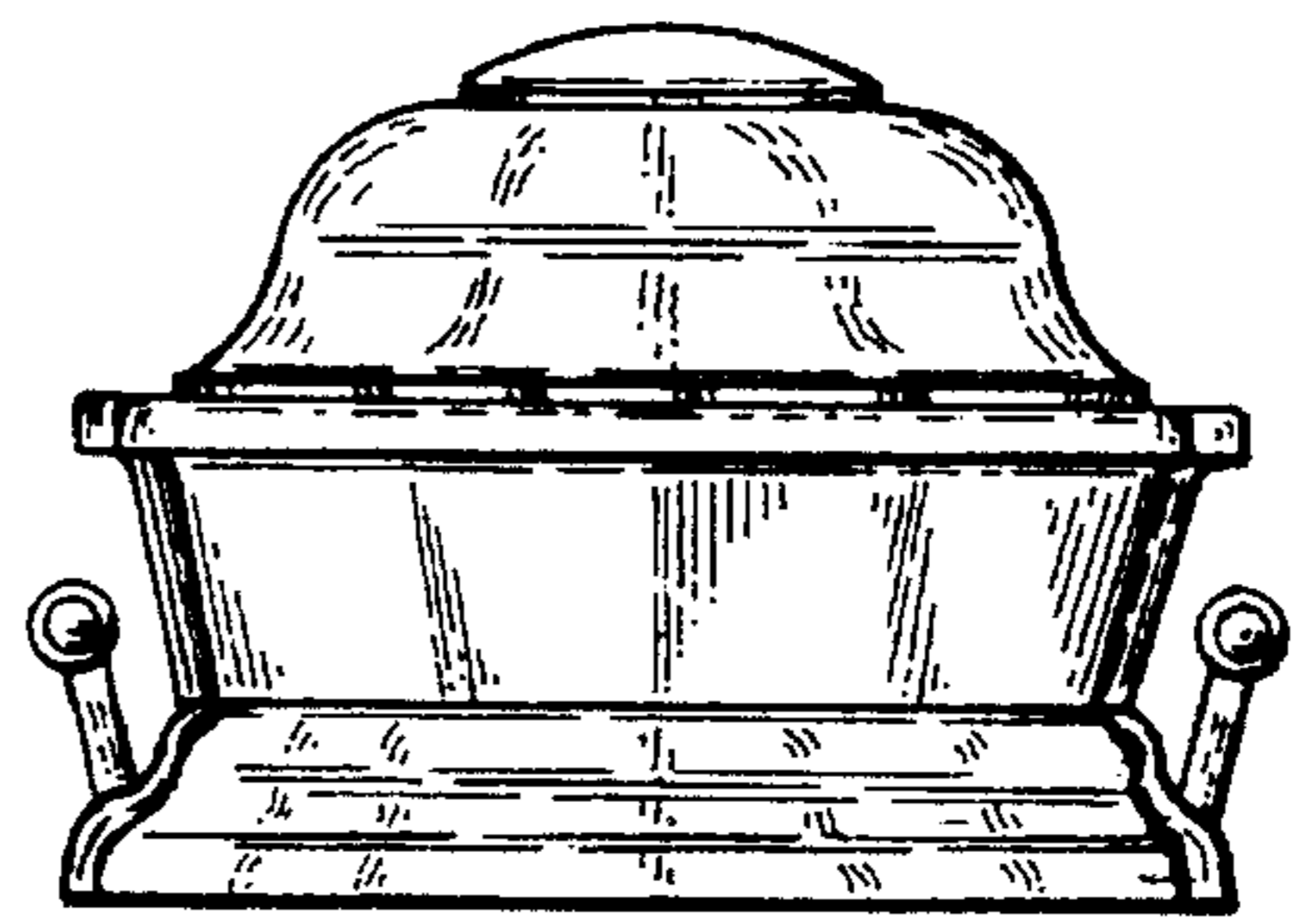


FIG. 4

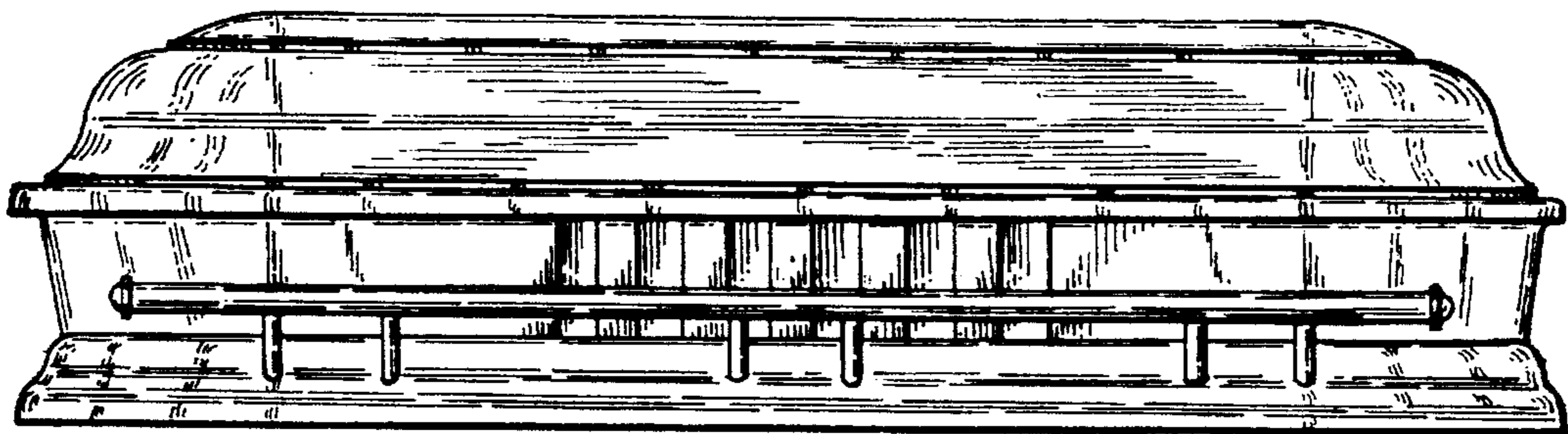


FIG. 2

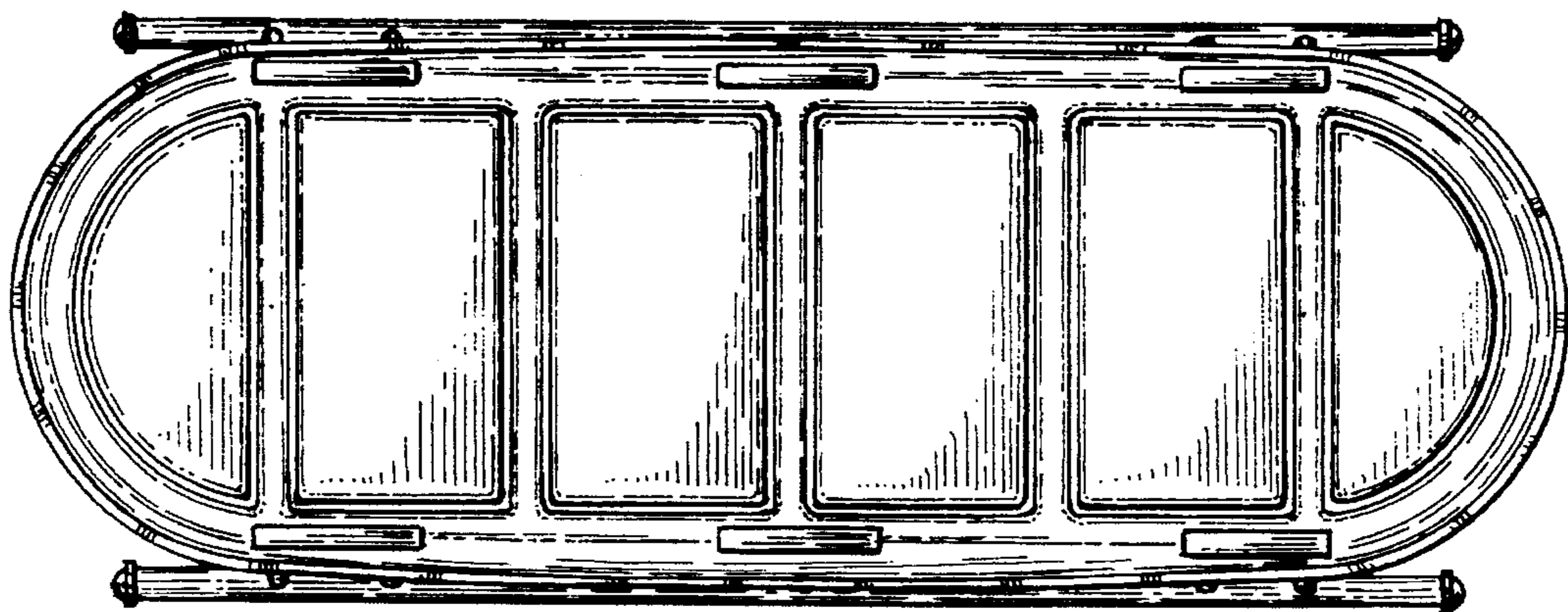


FIG. 3