



US00D374959S

United States Patent [19] Müll

[11] Patent Number: **Des. 374,959**

[45] Date of Patent: ****Oct. 22, 1996**

[54] **BEER KEG**

3,170,586 2/1965 Bulgrin 220/4.04

[75] Inventor: **Ulrich Müll**, Haiger, Germany

FOREIGN PATENT DOCUMENTS

[73] Assignee: **Thielmann AG**
Kommanditgesellschaft, Germany

2753497 6/1979 Germany 220/DIG. 1

3725563 2/1989 Germany 220/DIG. 1

[**] Term: **14 Years**

Primary Examiner—Lucy Lieberman

Attorney, Agent, or Firm—Sixbey, Friedman, Leedom & Ferguson; David S. Safran

[21] Appl. No.: **18,991**

[57] CLAIM

[22] Filed: **Jan. 14, 1994**

The ornamental design for a beer keg, as shown and described.

[30] Foreign Application Priority Data

DESCRIPTION

Jul. 17, 1993 [DE] Germany 93 05 591.9

[52] U.S. Cl. **D34/39**

[58] Field of Search D34/39; 220/DIG. 1,
220/601, 661, 669, 672, 675, 771, 772,
4.04, 608

FIG. 1 is a front perspective view showing the new design of the present invention;

FIG. 2 is a top and right side perspective view thereof;

FIG. 3 is a top, rear and left side perspective view thereof;

FIG. 4 is a bottom, rear and right side perspective view thereof;

FIG. 5 is a top plan view thereof;

FIG. 6 is a top front perspective view thereof; and,

FIG. 7 is a front elevation of the beer keg with the top portion shown in cross section along line 7—7 in FIG. 5.

[56] References Cited

U.S. PATENT DOCUMENTS

D. 188,822 9/1960 Wareham D34/39

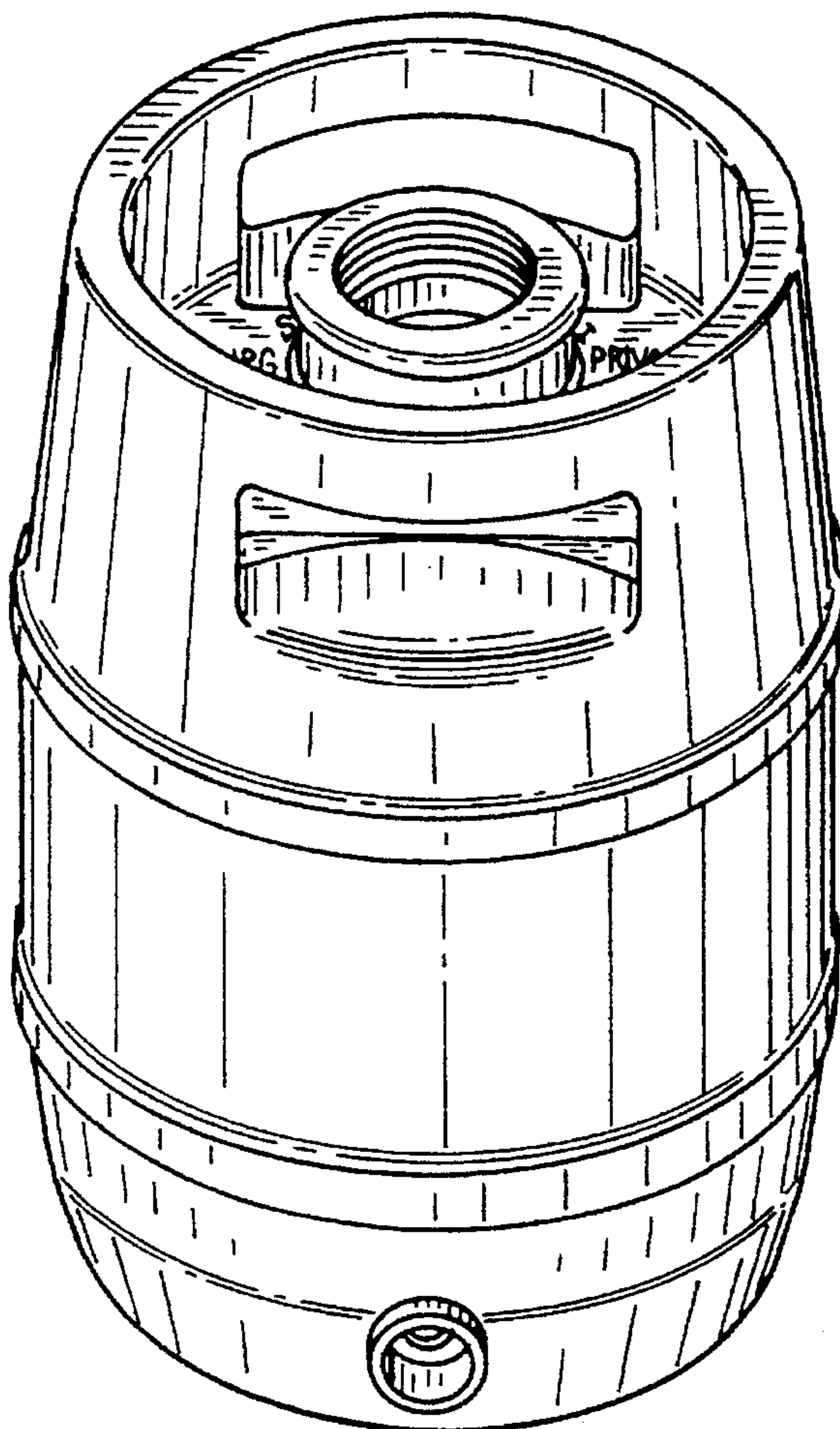
D. 271,342 11/1983 Templeton D34/39

D. 276,499 11/1984 Kamada et al. D34/39 X

3,129,730 4/1964 Simon 220/608 X

3,143,238 8/1964 Bulgrin 220/4.04

1 Claim, 4 Drawing Sheets



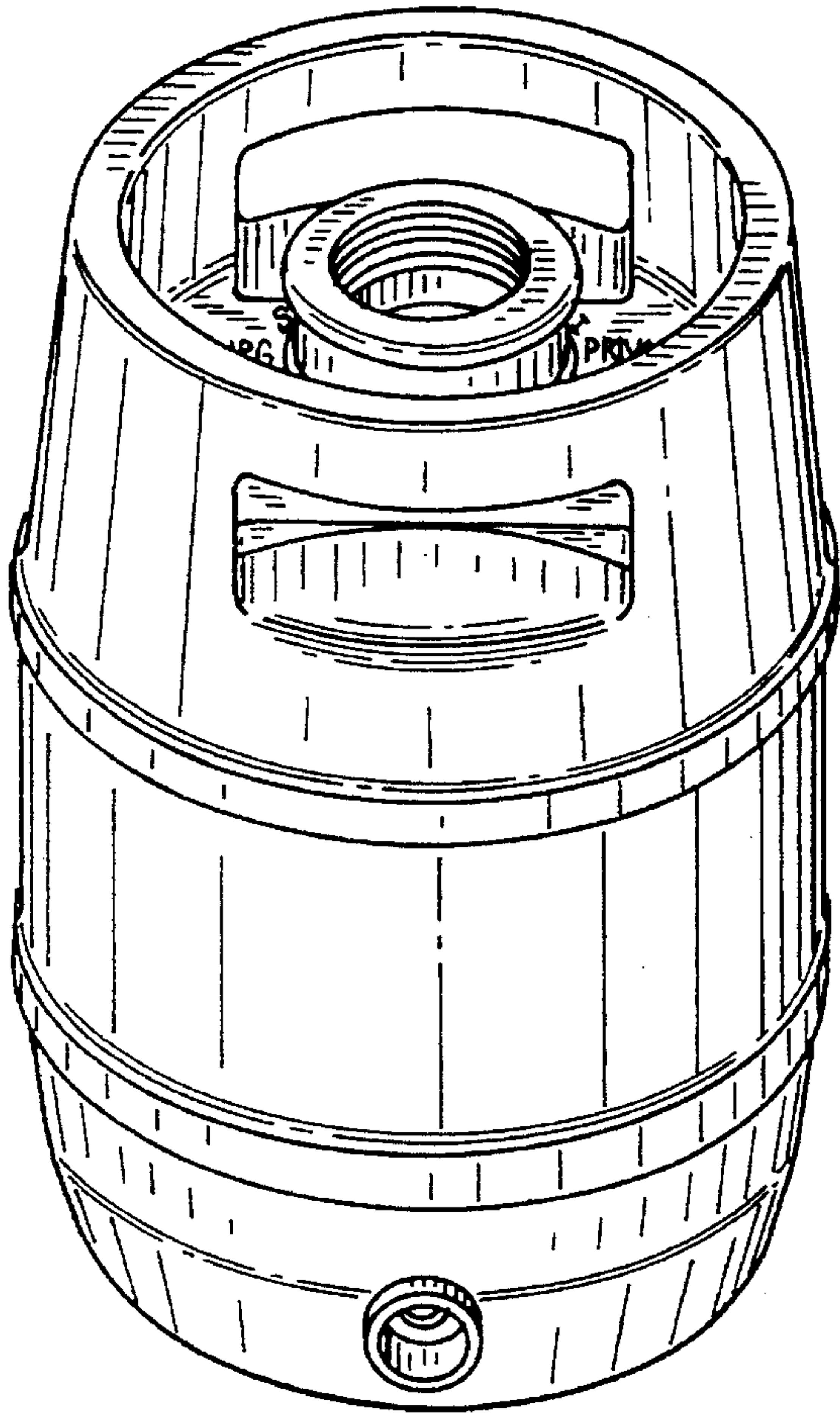


FIG. 1

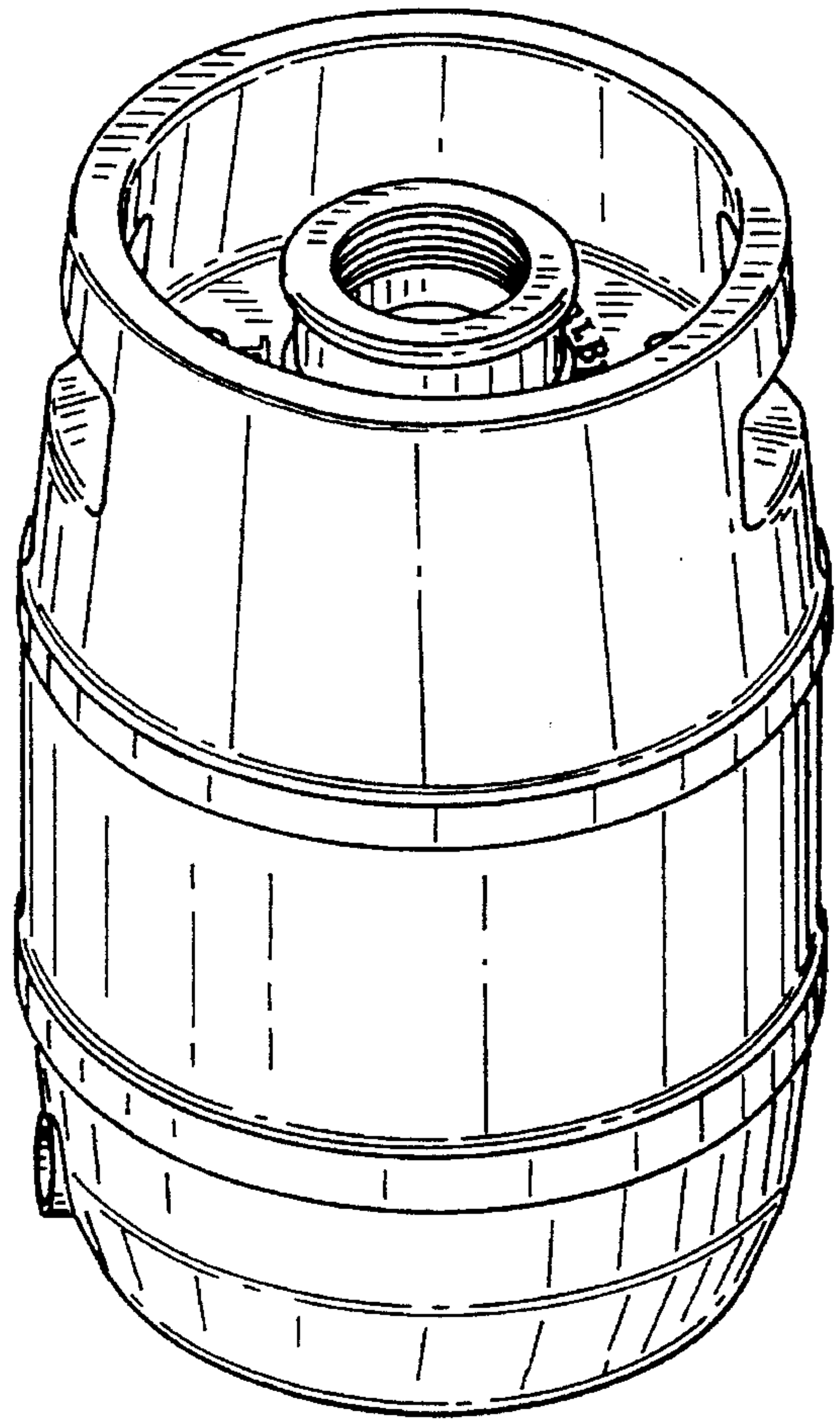


FIG. 2

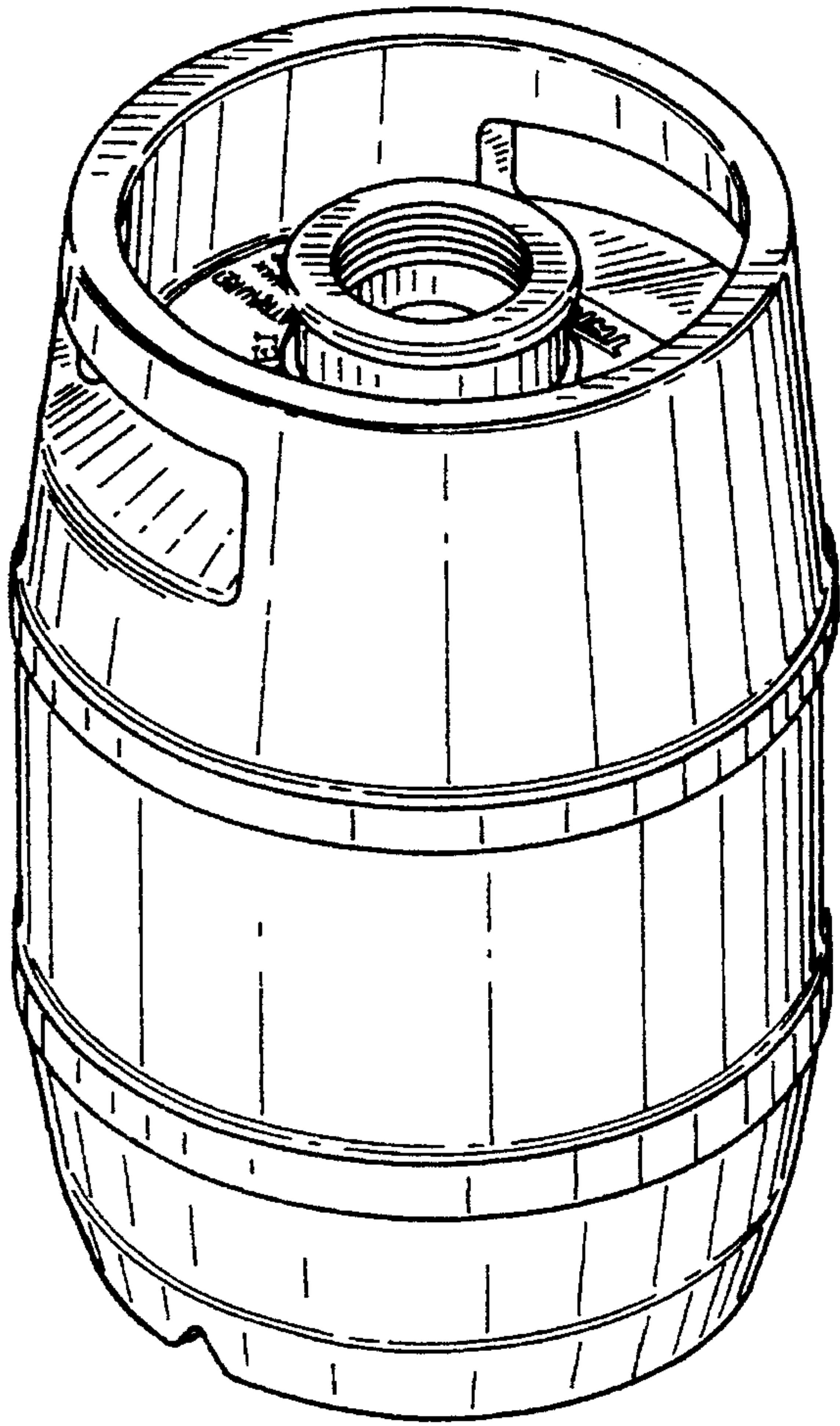


FIG. 3

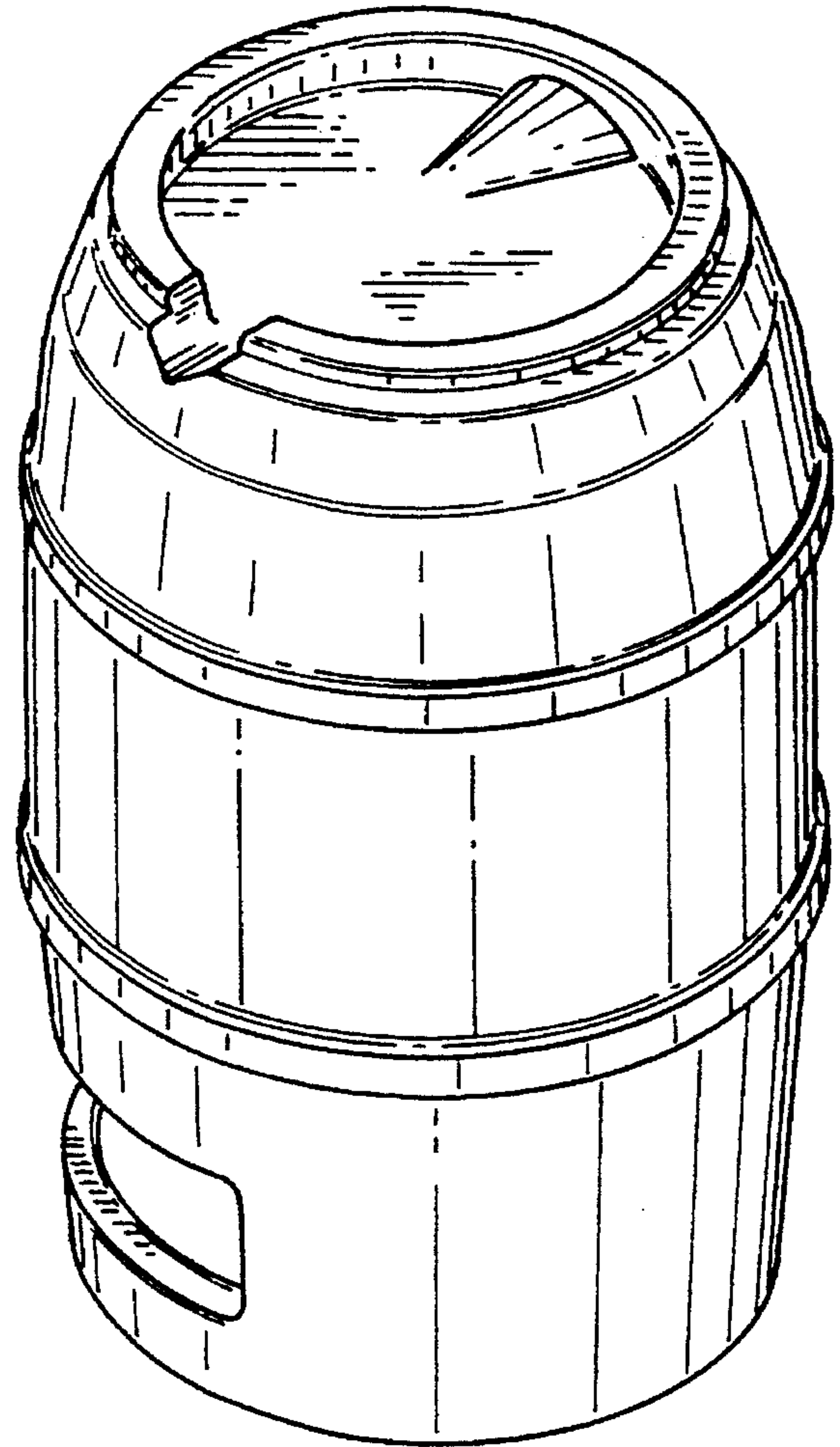


FIG. 4

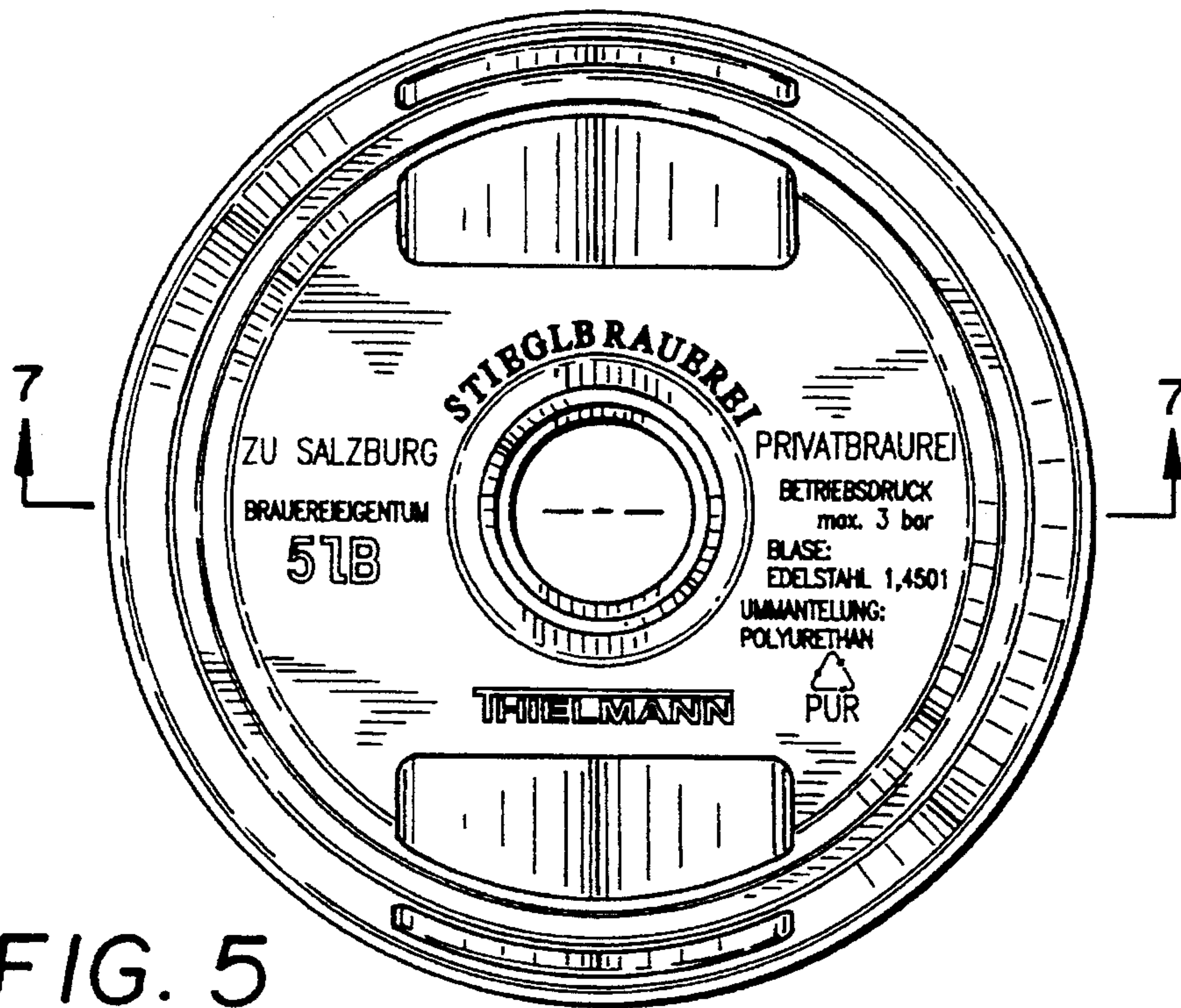


FIG. 5

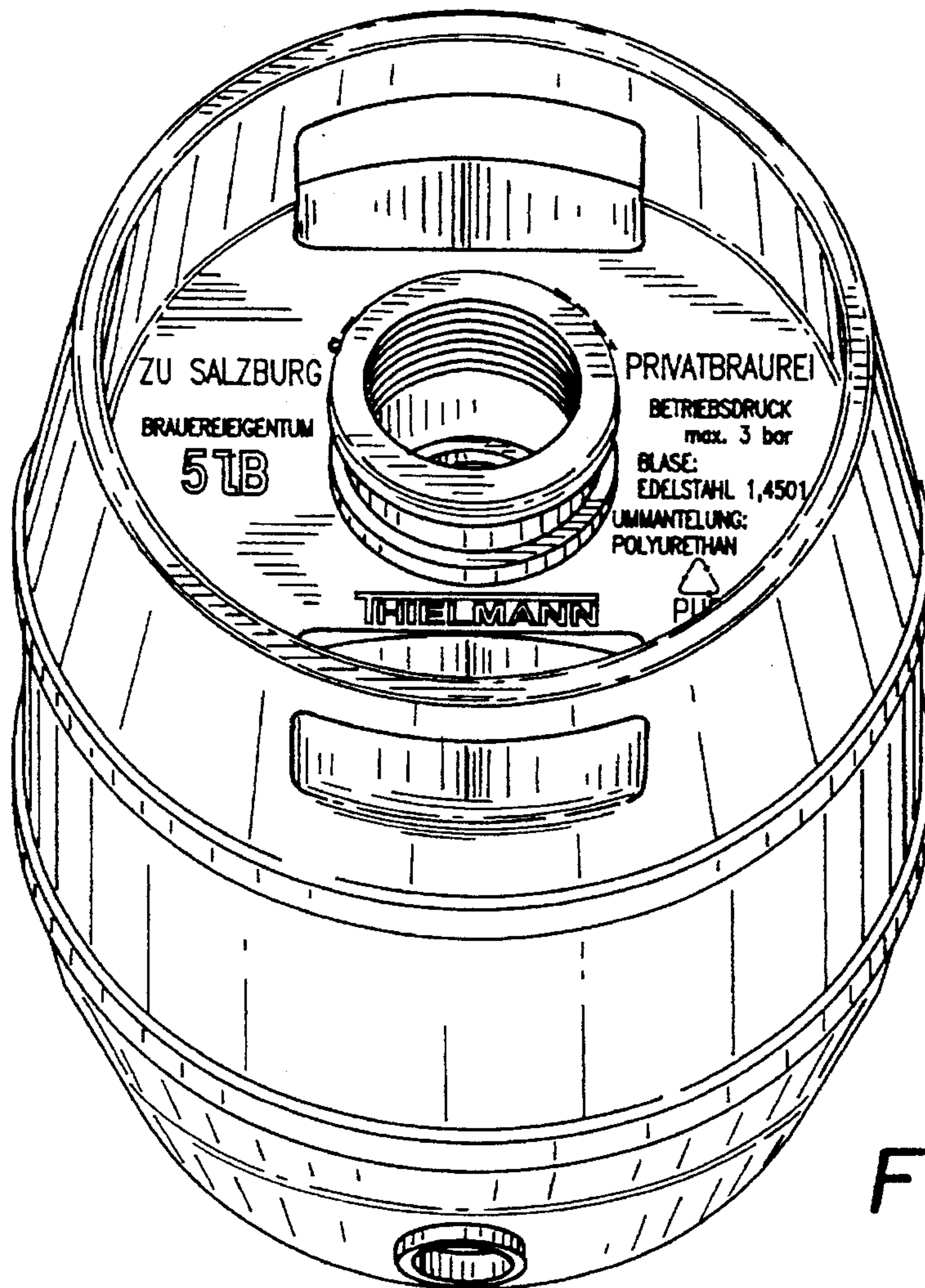


FIG. 6

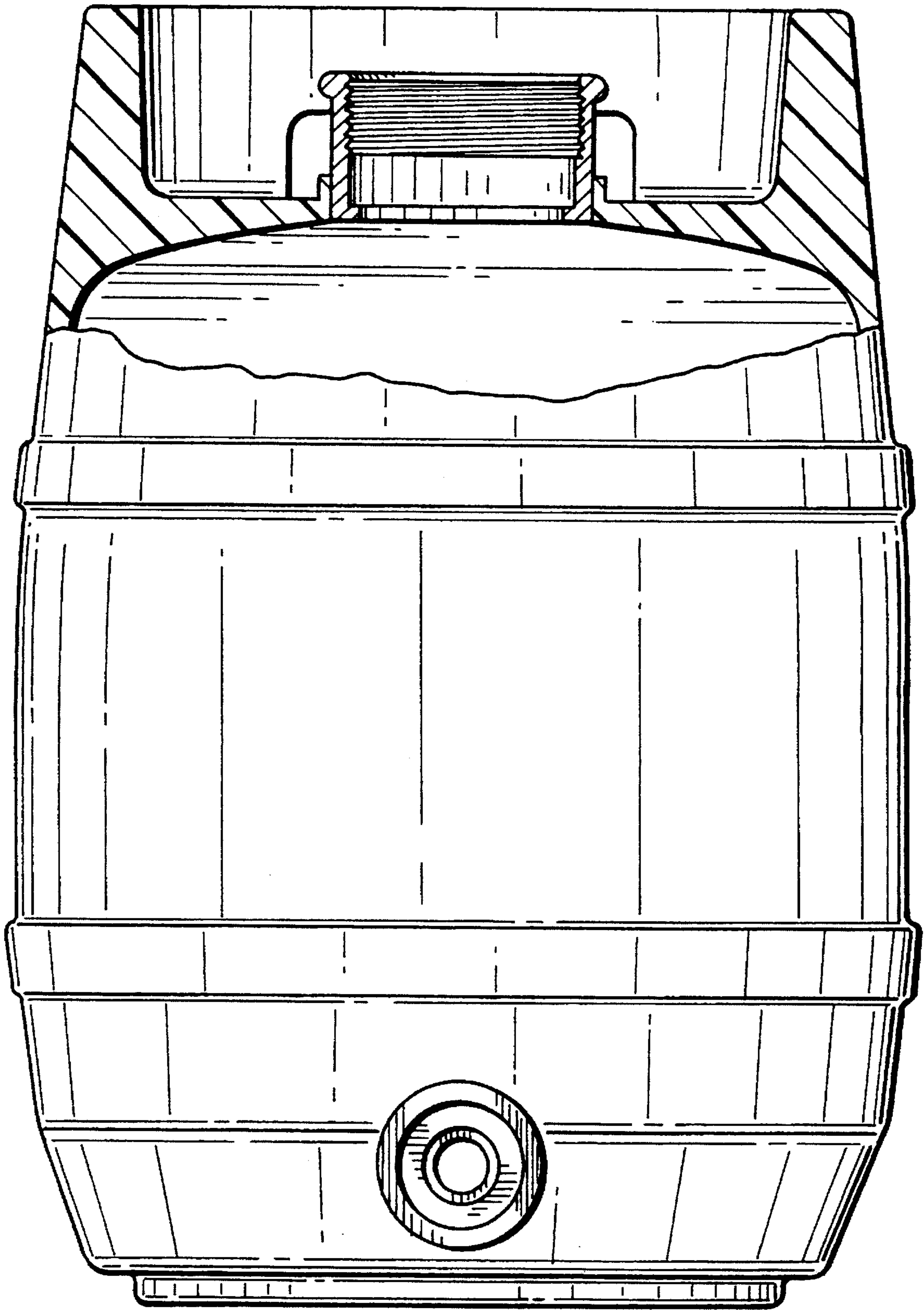


FIG. 7