



US00D374958S

United States Patent [19]
Watanabe

[11] **Patent Number: Des. 374,958**

[45] **Date of Patent: **Oct. 22, 1996**

[54] **WHEELBARROW**

[75] Inventor: **Yoshihisa Watanabe**, Mie, Japan

[73] Assignee: **Suntool Co., Ltd.**, Mie, Japan

[**] Term: **14 Years**

[21] Appl. No.: **42,230**

[22] Filed: **Aug. 4, 1995**

[52] U.S. Cl. **D34/16; D34/12**

[58] Field of Search **D34/12, 16; 280/47.31, 280/47.18, 653**

[56] **References Cited**

U.S. PATENT DOCUMENTS

D. 147,637	10/1947	Brockriede	D34/16
3,029,984	4/1962	Cooper	D34/16
4,758,010	7/1988	Christie	280/47.31

FOREIGN PATENT DOCUMENTS

2625471	7/1989	France	280/47.31
---------	--------	--------	-------	-----------

Primary Examiner—Kay H. Chin
Attorney, Agent, or Firm—Lorusso & Loud

[57] **CLAIM**

The ornamental design for a wheelbarrow, as shown and described.

DESCRIPTION

FIG. 1 is a top plan view of a wheelbarrow showing my new design;

FIG. 2 is a right side view thereof;

FIG. 3 is a rear view thereof;

FIG. 4 is a front view thereof;

FIG. 5 is a bottom view thereof;

FIG. 6 is a right side view in a standing position;

FIG. 7 is a top plan view of a second embodiment of the wheelbarrow;

FIG. 8 is a right side view thereof;

FIG. 9 is a rear view thereof;

FIG. 10 is a front view thereof;

FIG. 11 is a bottom view thereof;

FIG. 12 is a right side view in a standing position;

FIG. 13 is a top plan view of a third embodiment of the wheelbarrow;

FIG. 14 is a right side view thereof;

FIG. 15 is a rear view thereof;

FIG. 16 is a front view thereof;

FIG. 17 is a bottom view thereof;

FIG. 18 is a right side view in a standing position;

FIG. 19 is a top plan view of a fourth embodiment of the wheelbarrow;

FIG. 20 is a right side view thereof;

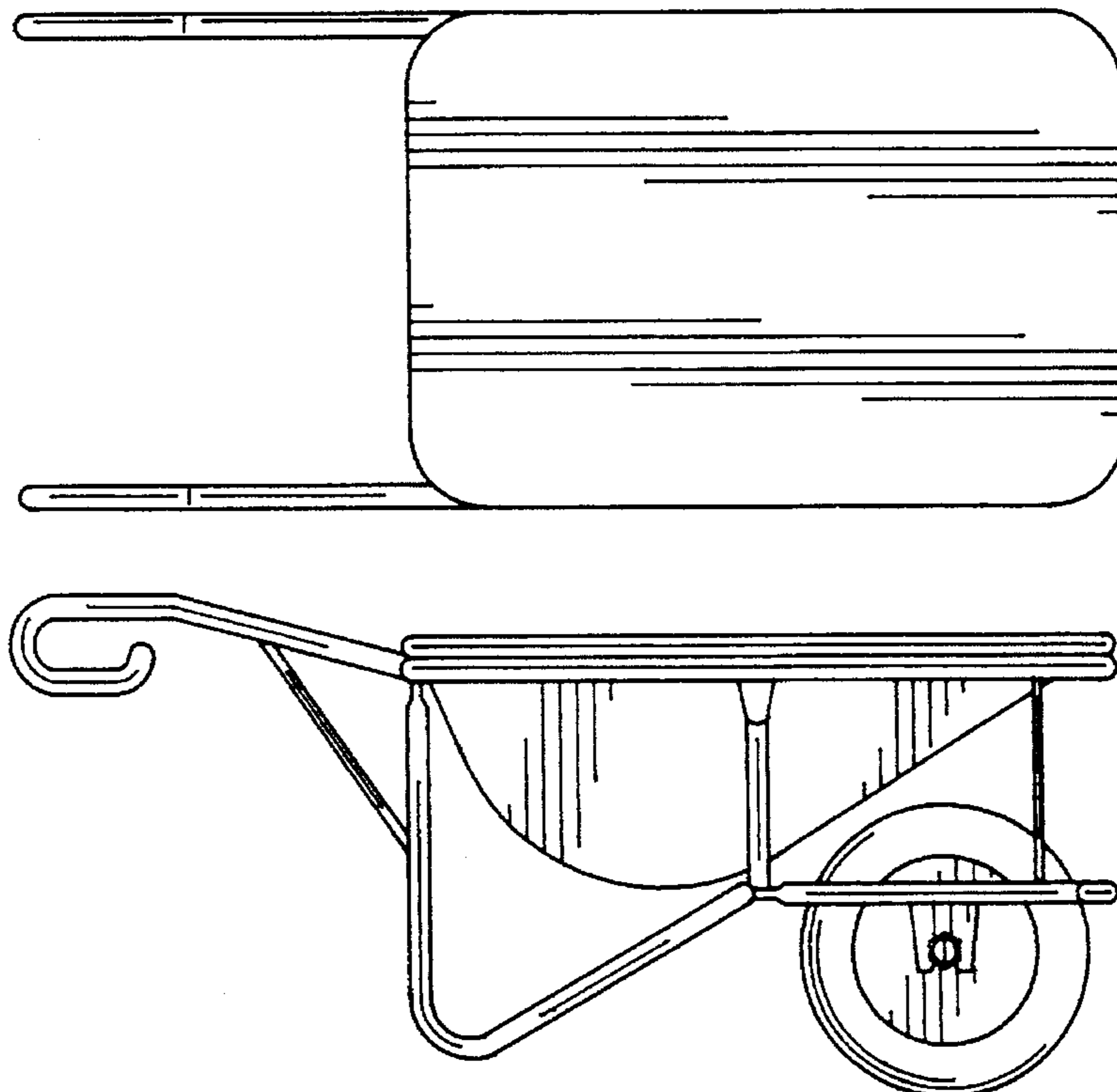
FIG. 21 is a rear view thereof;

FIG. 22 is a front view thereof;

FIG. 23 is a bottom view thereof; and,

FIG. 24 is a right side view in a standing position.

1 Claim, 8 Drawing Sheets



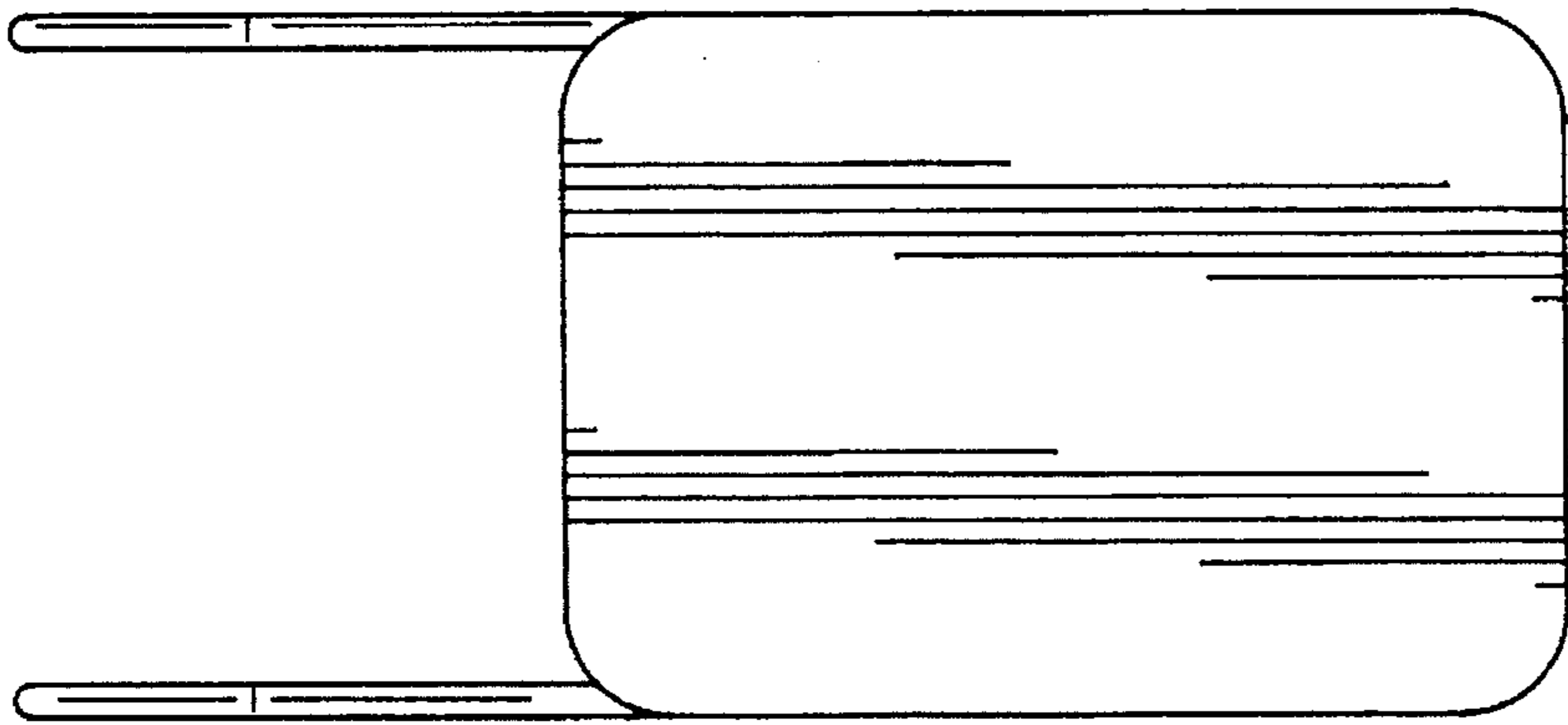


FIG. 1

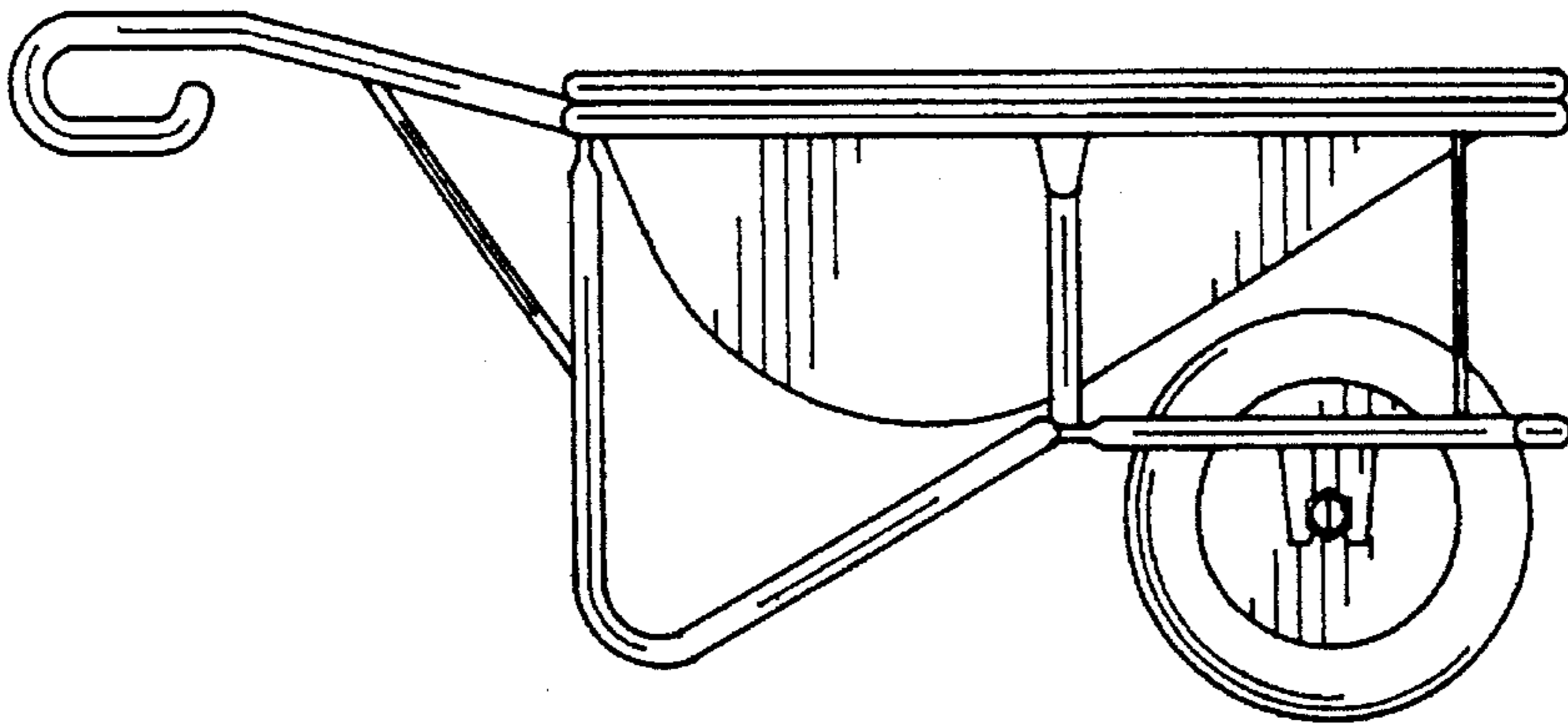


FIG. 2

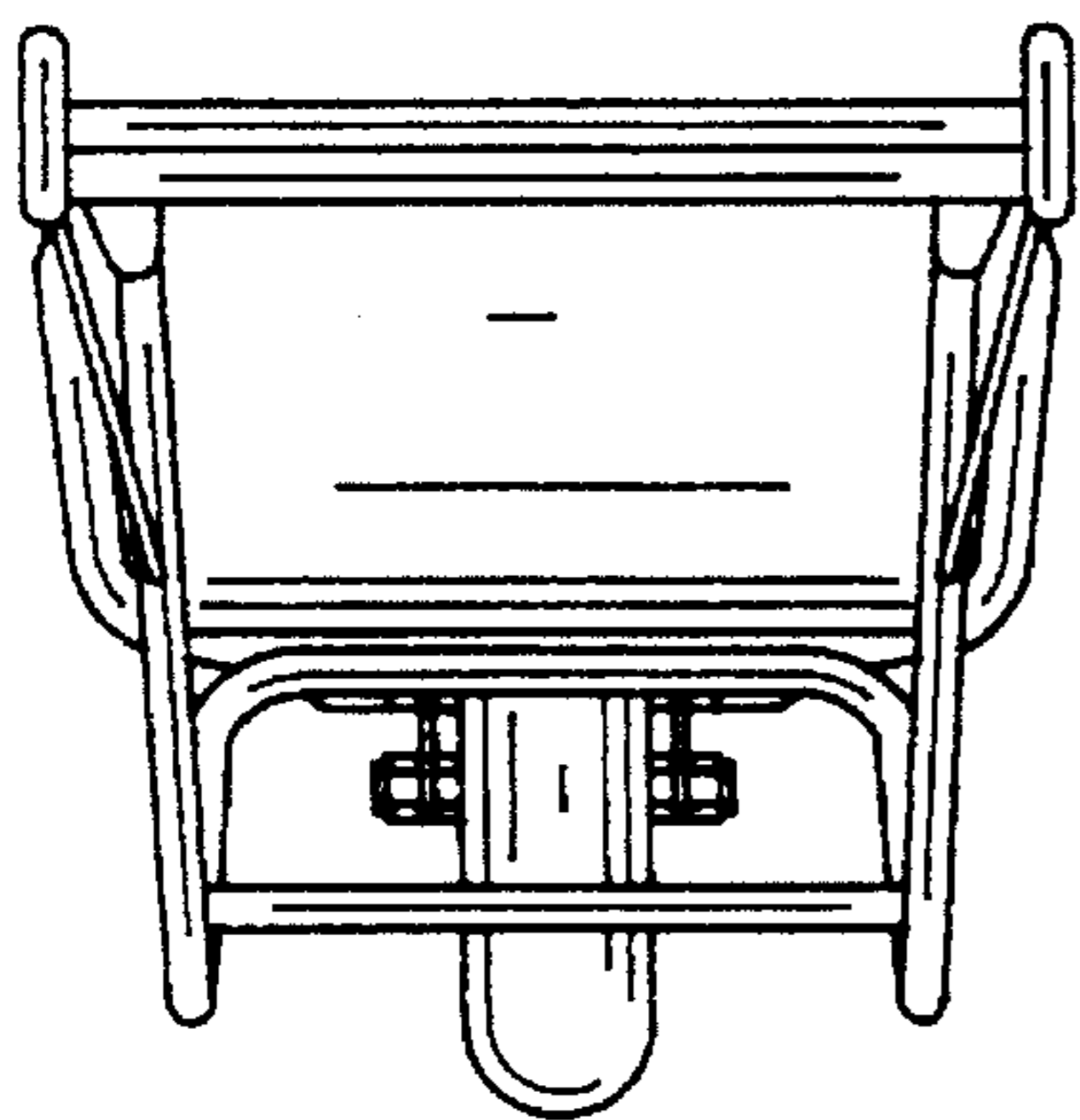


FIG. 3

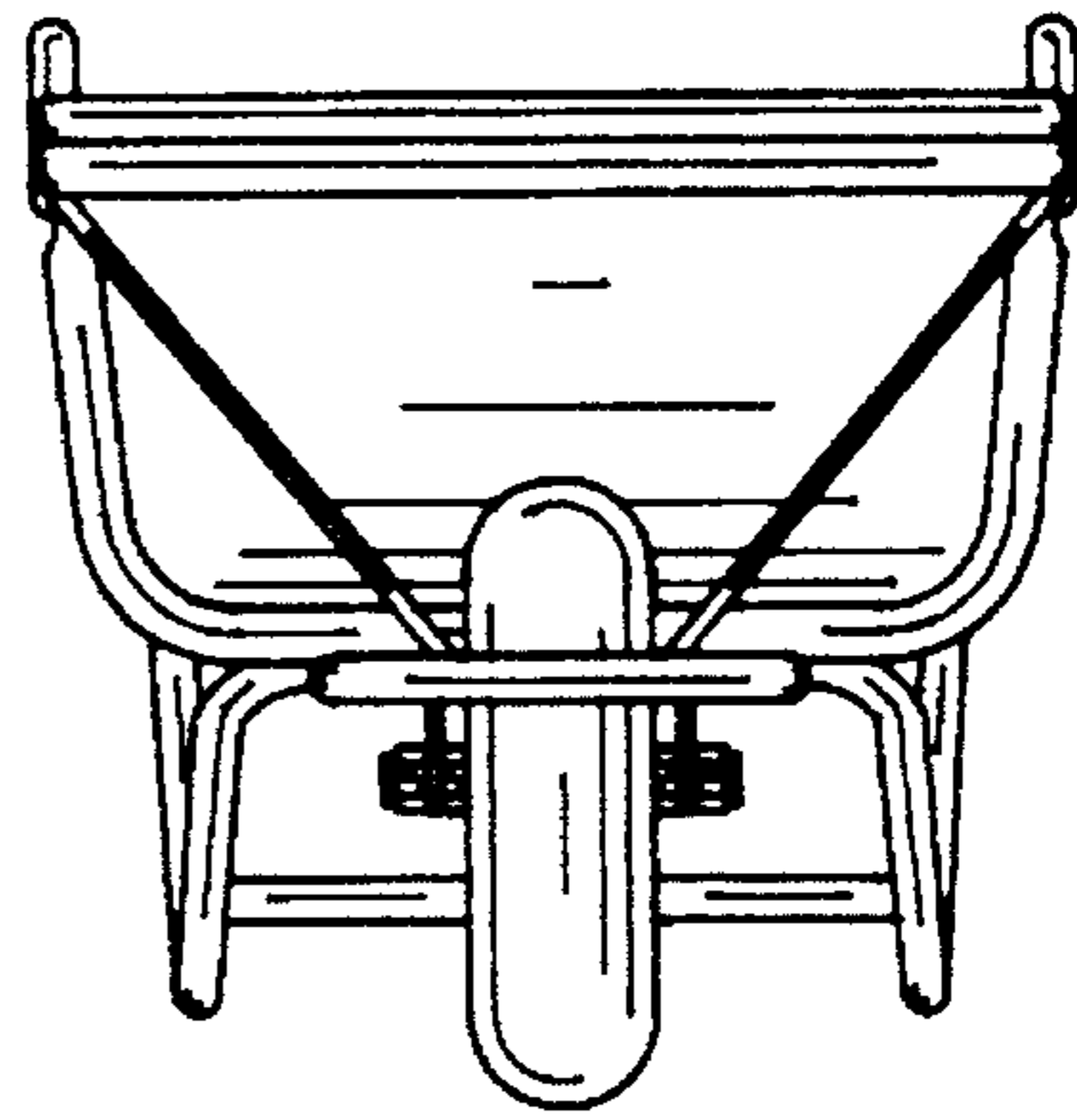


FIG. 4

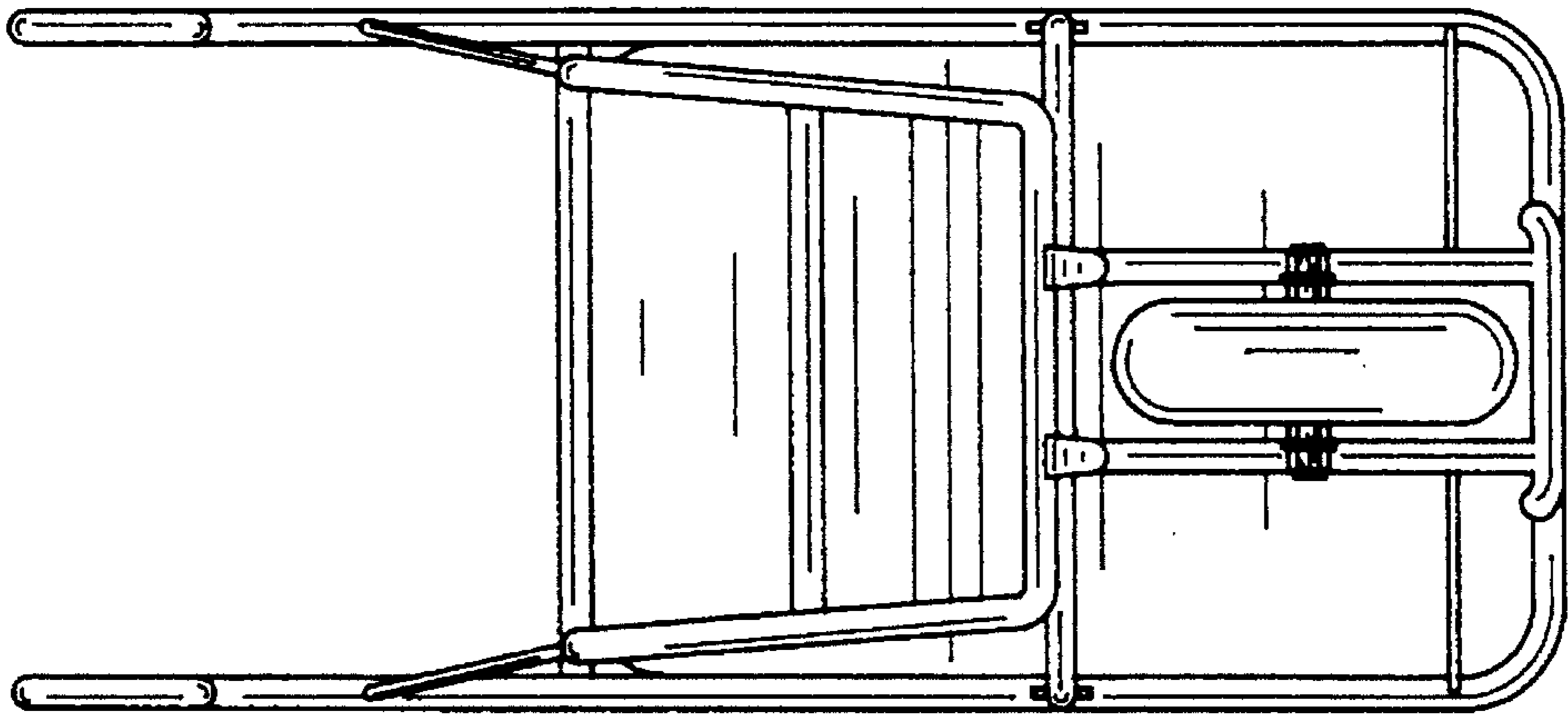


FIG. 5

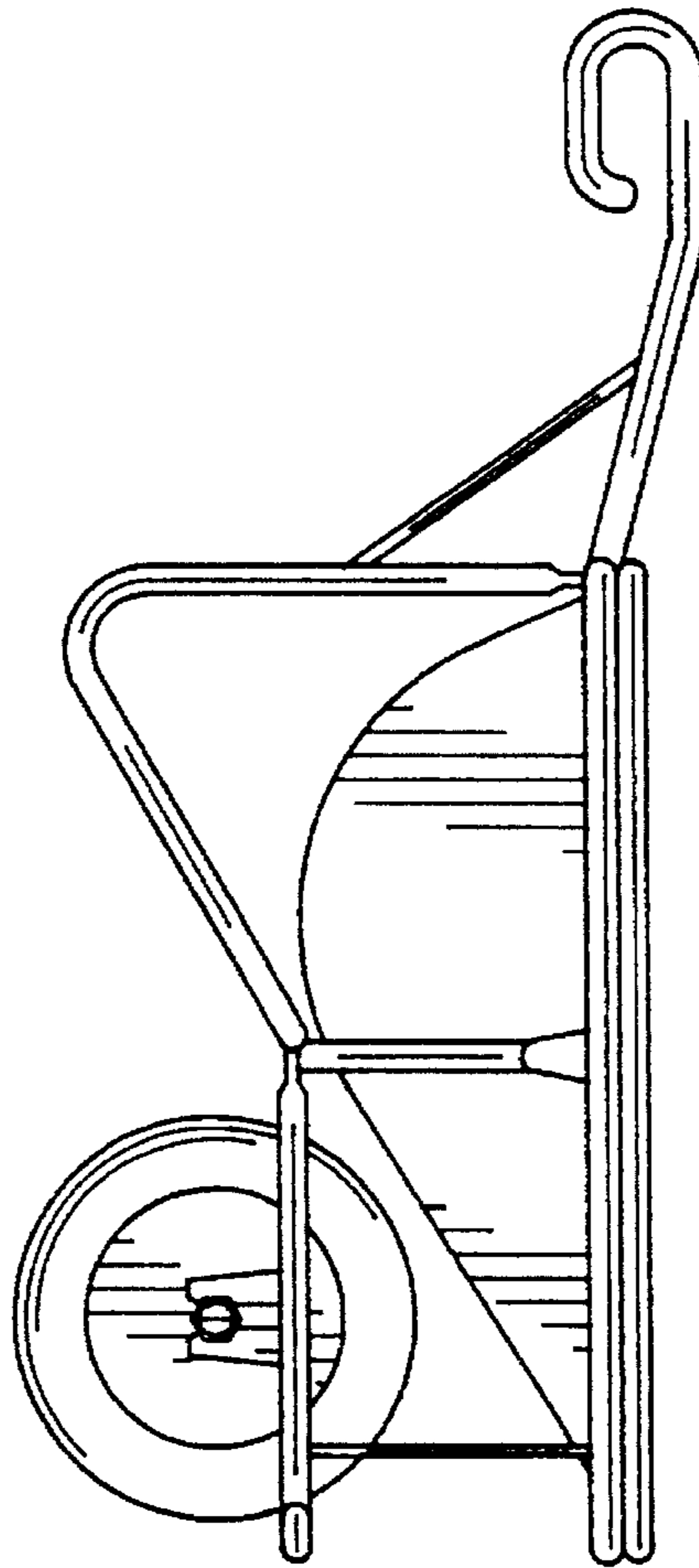


FIG. 6

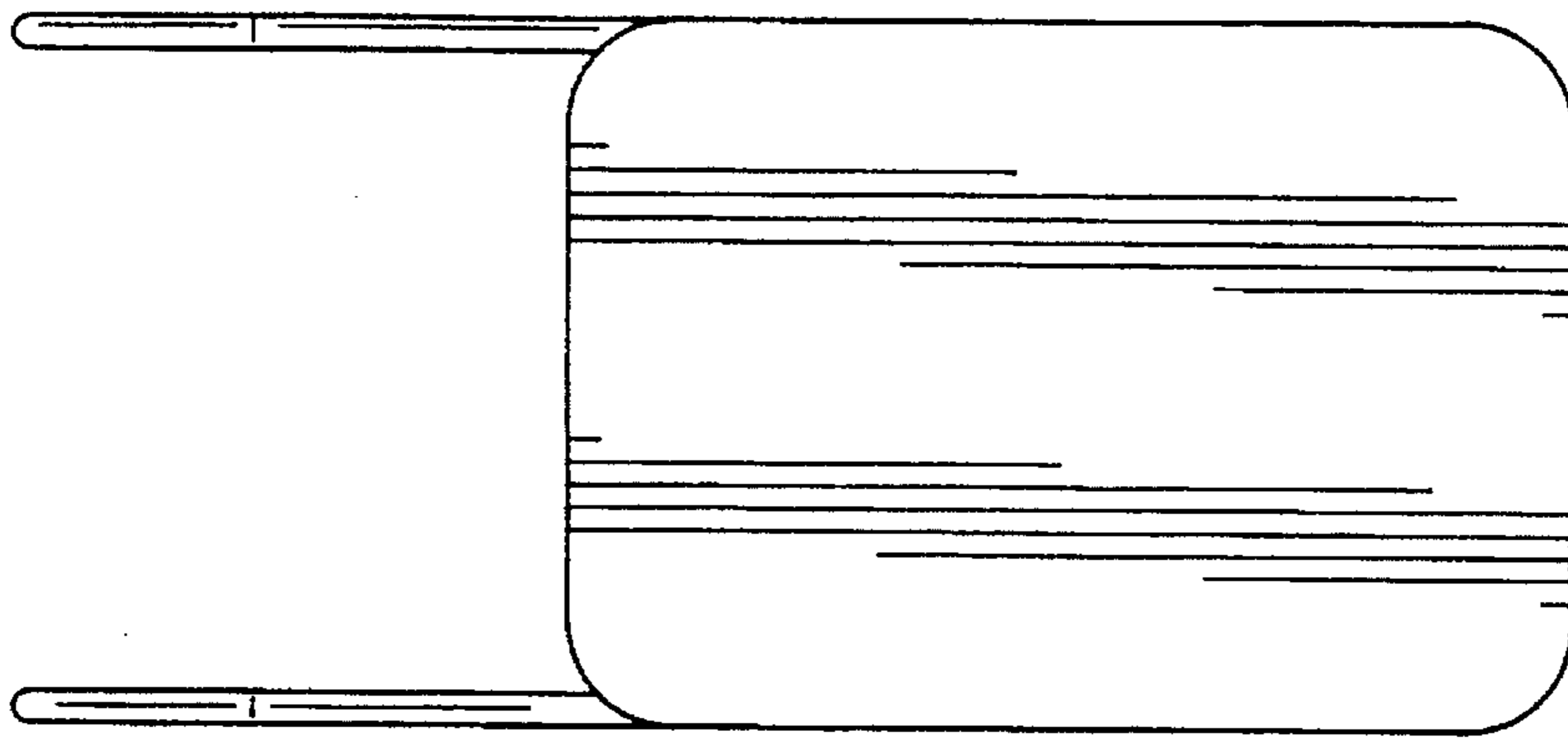


FIG. 7

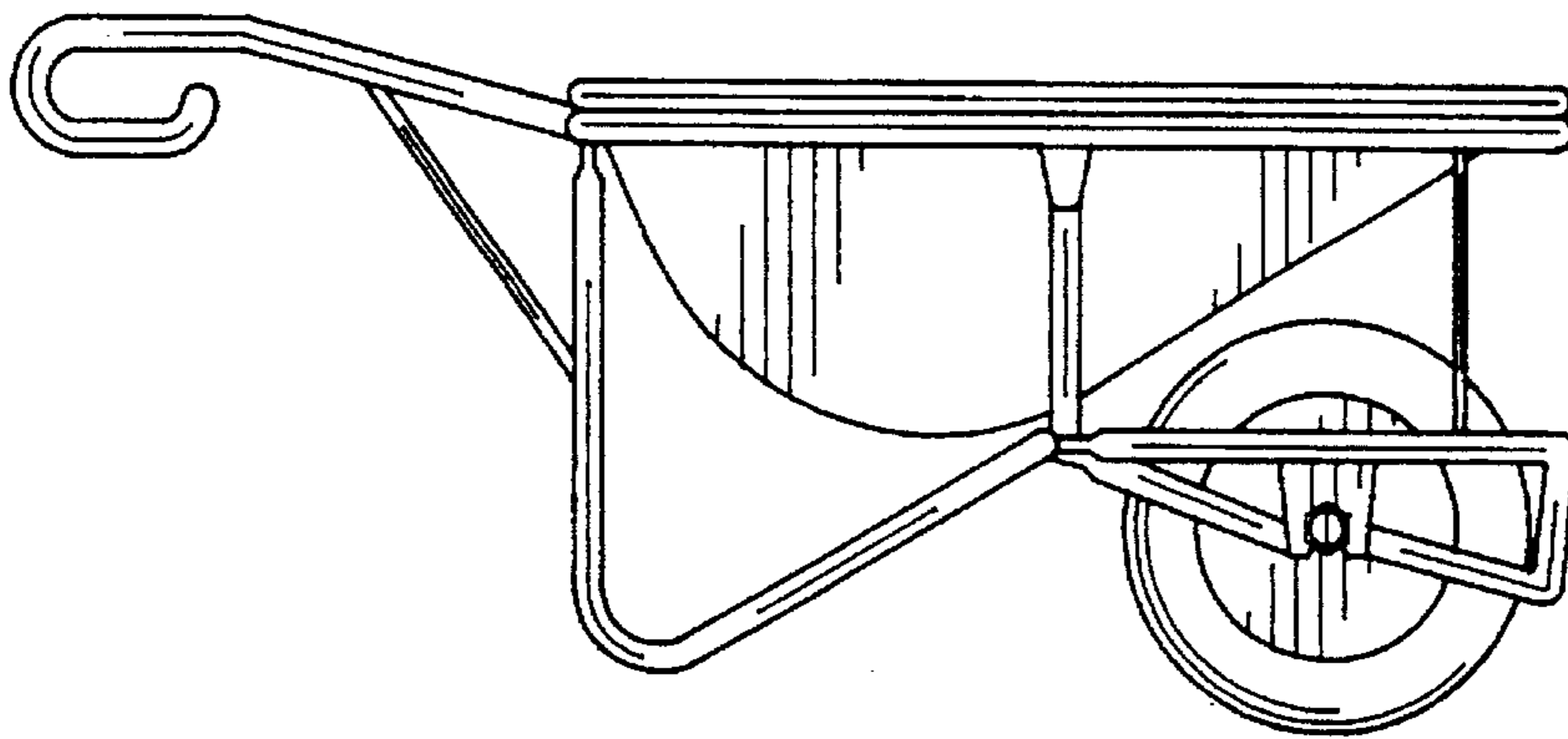


FIG. 8

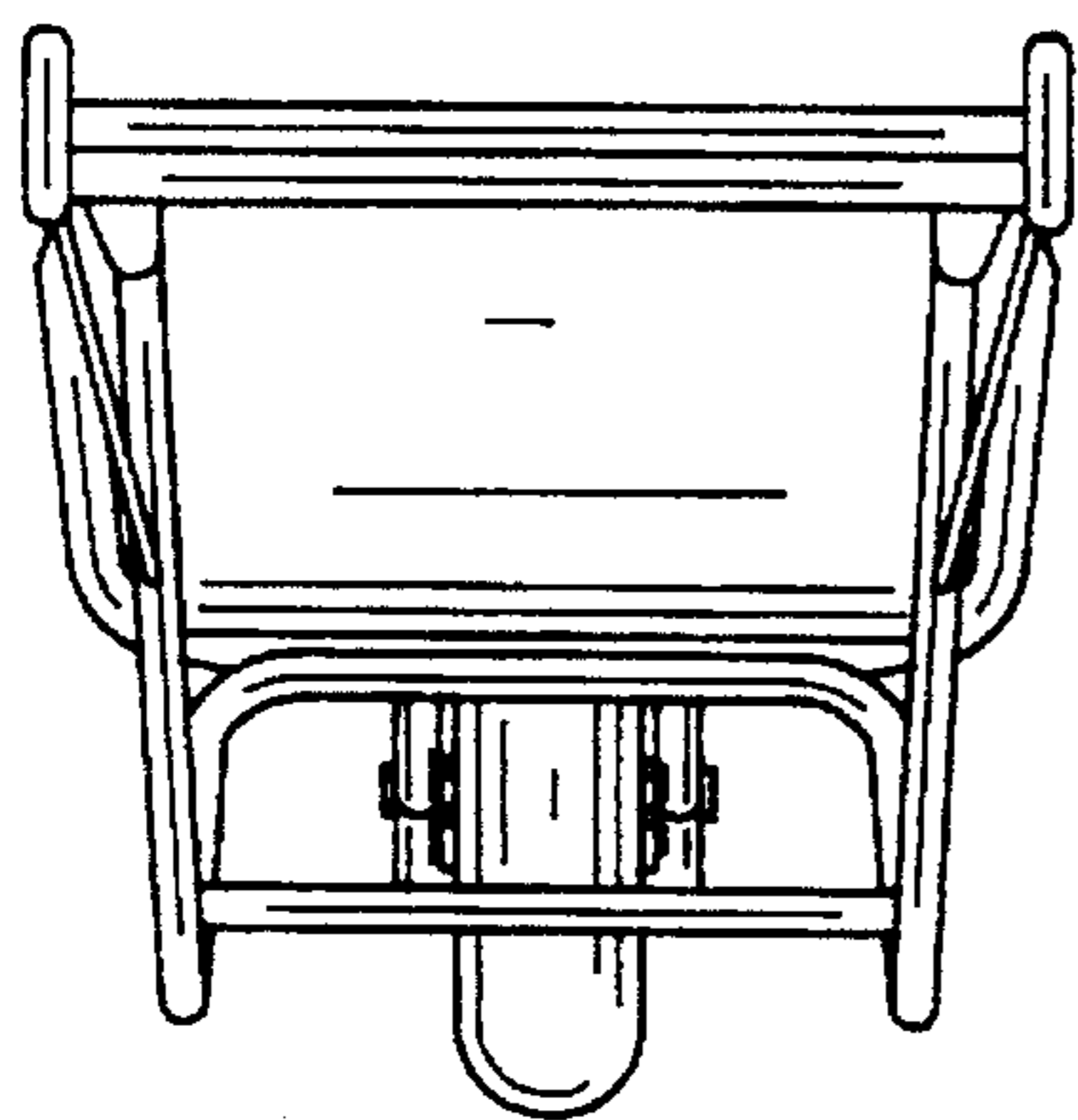


FIG. 9

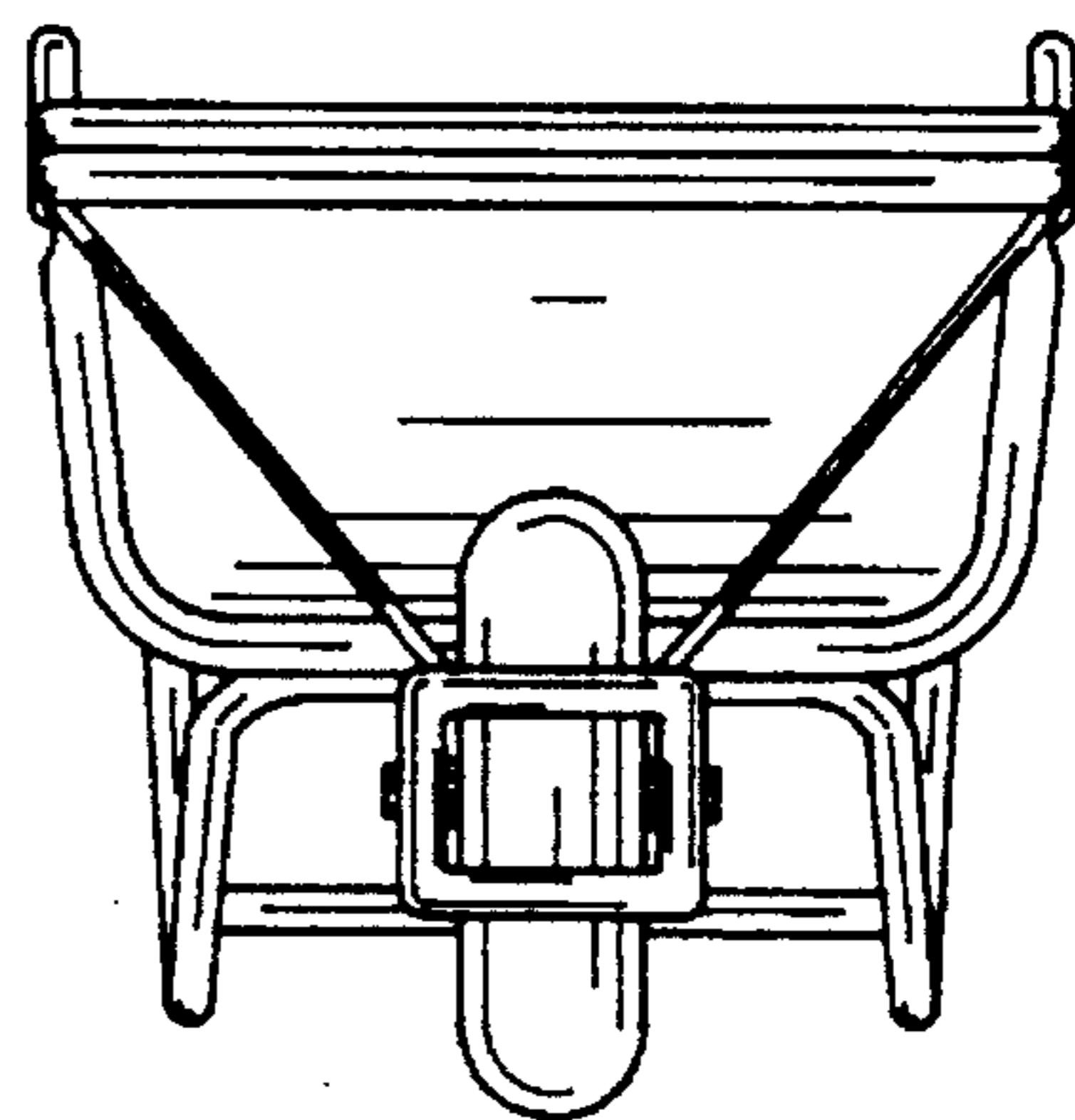


FIG. 10

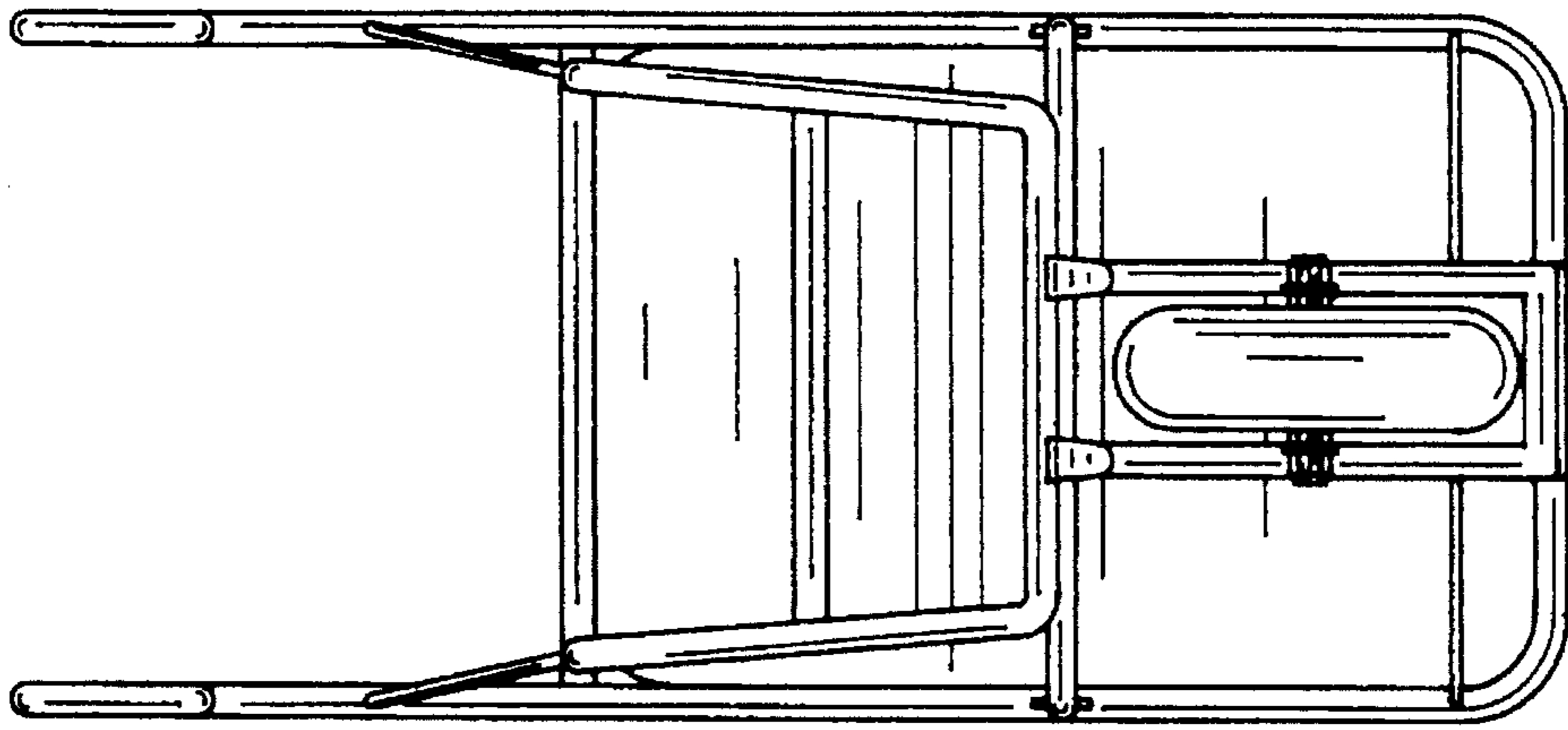


FIG. 11

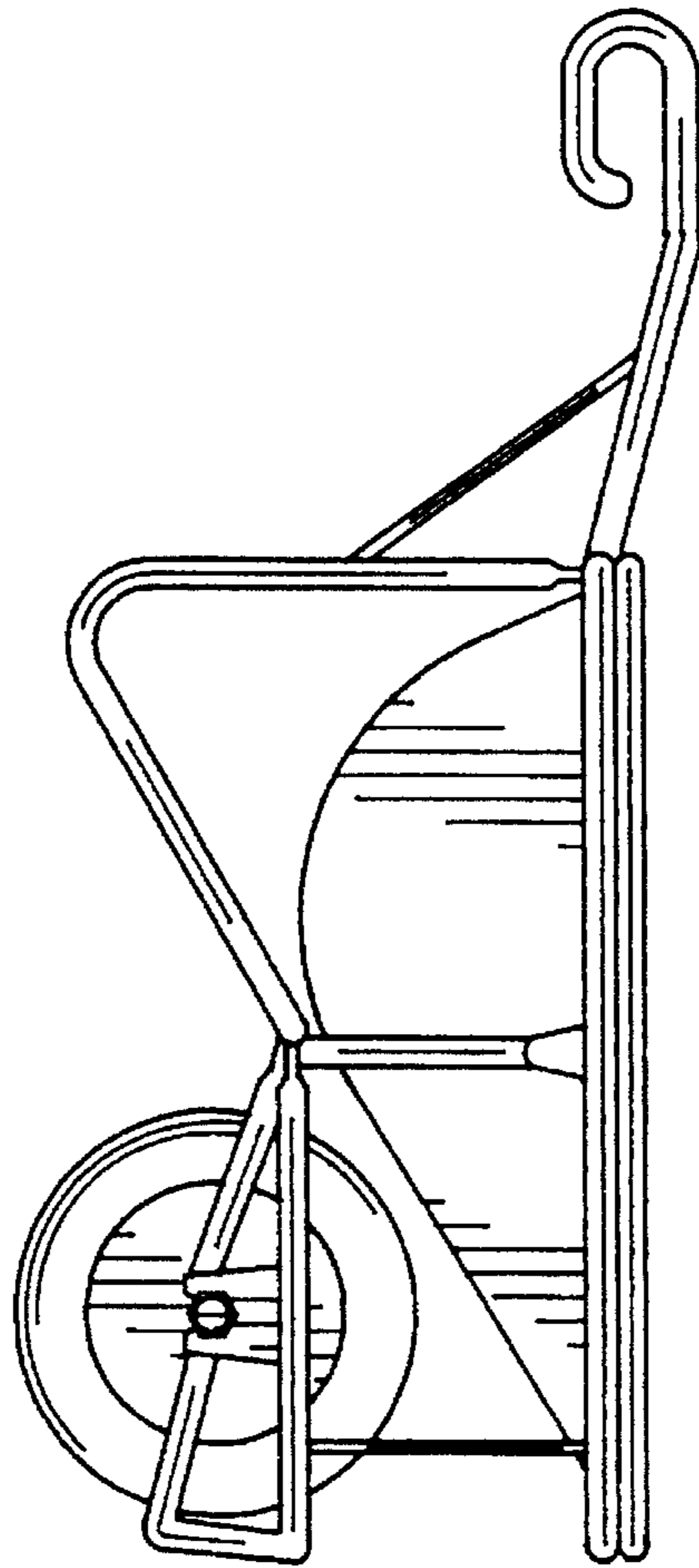


FIG. 12

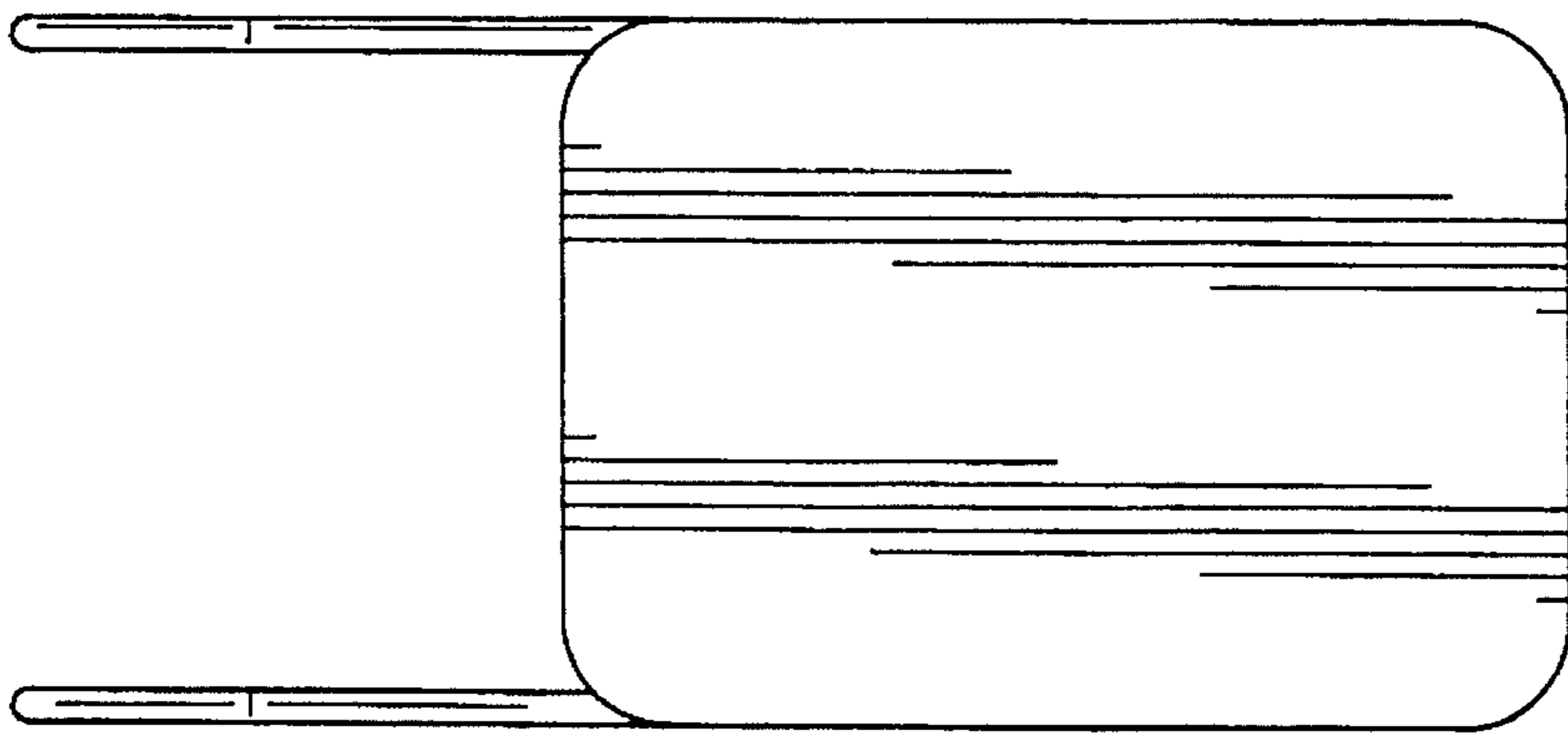


FIG. 13

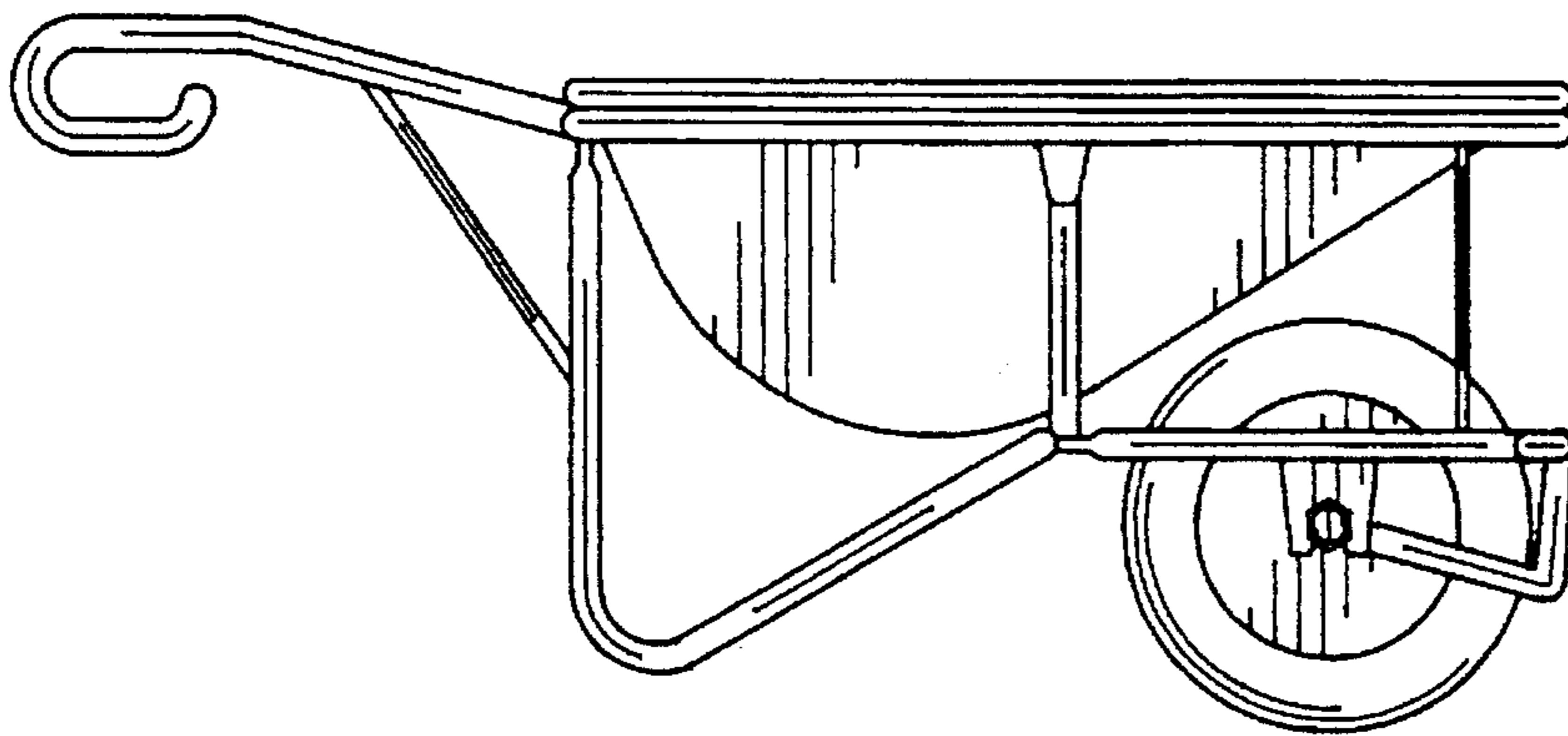


FIG. 14

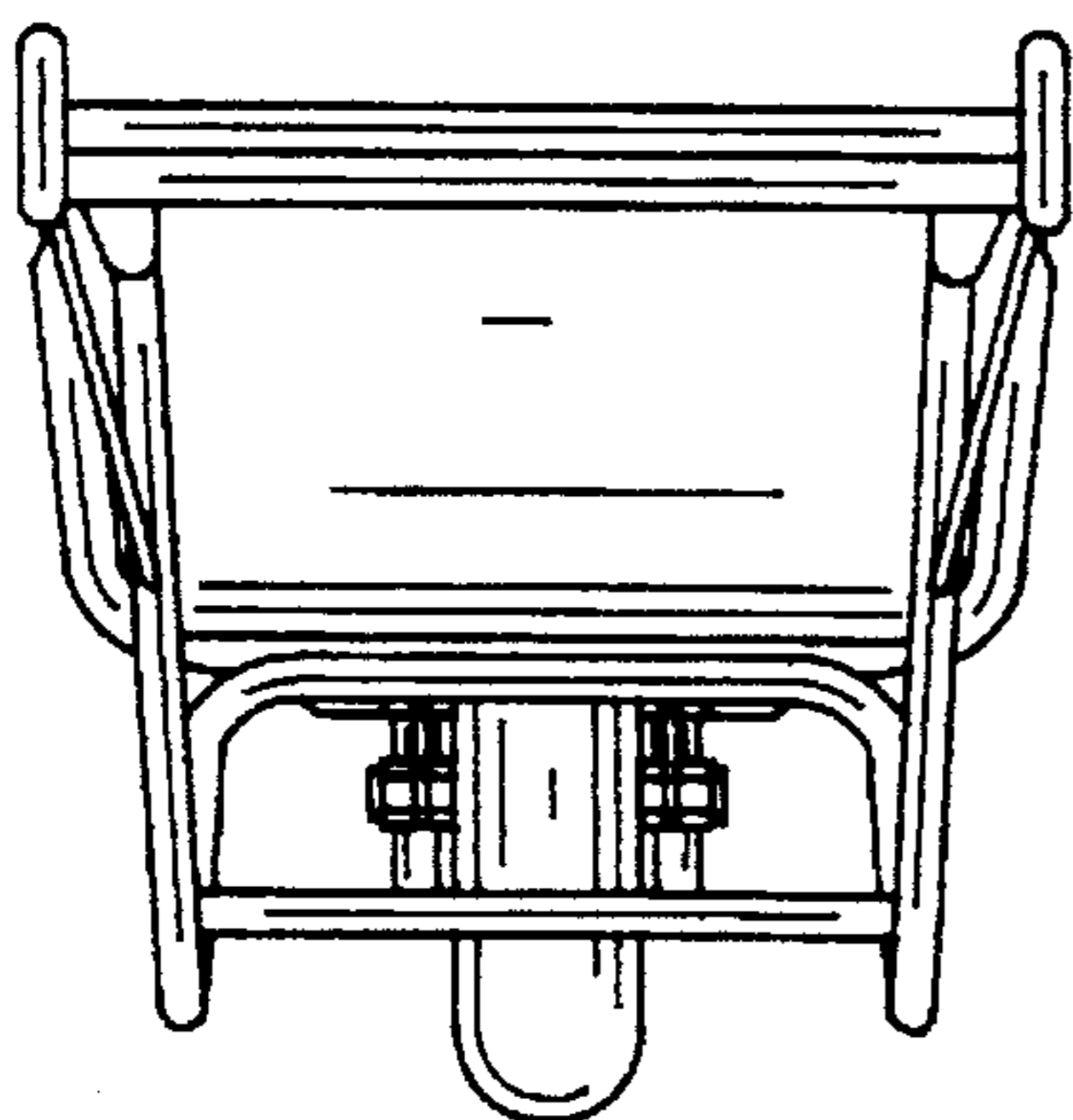


FIG. 15

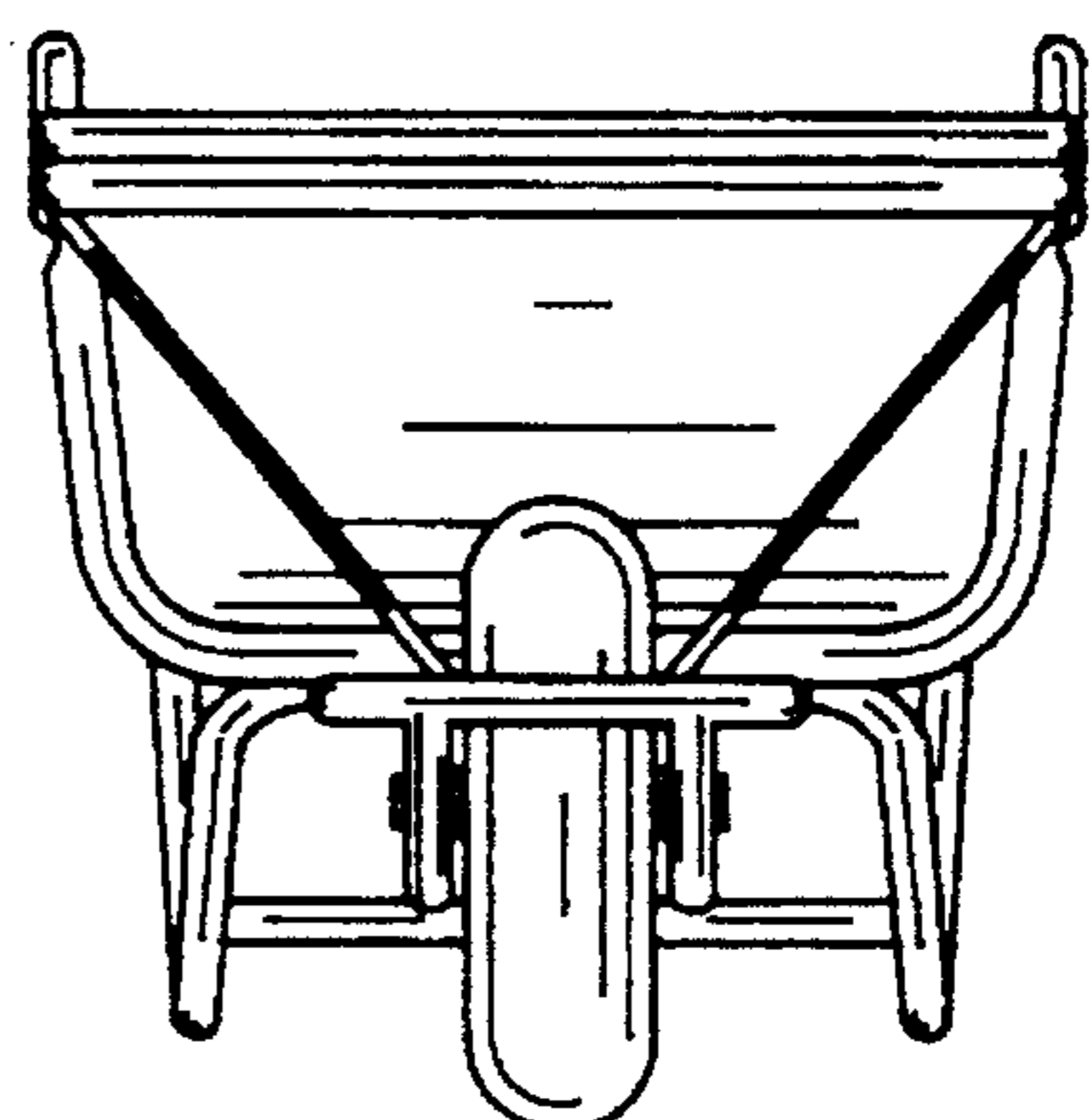


FIG. 16

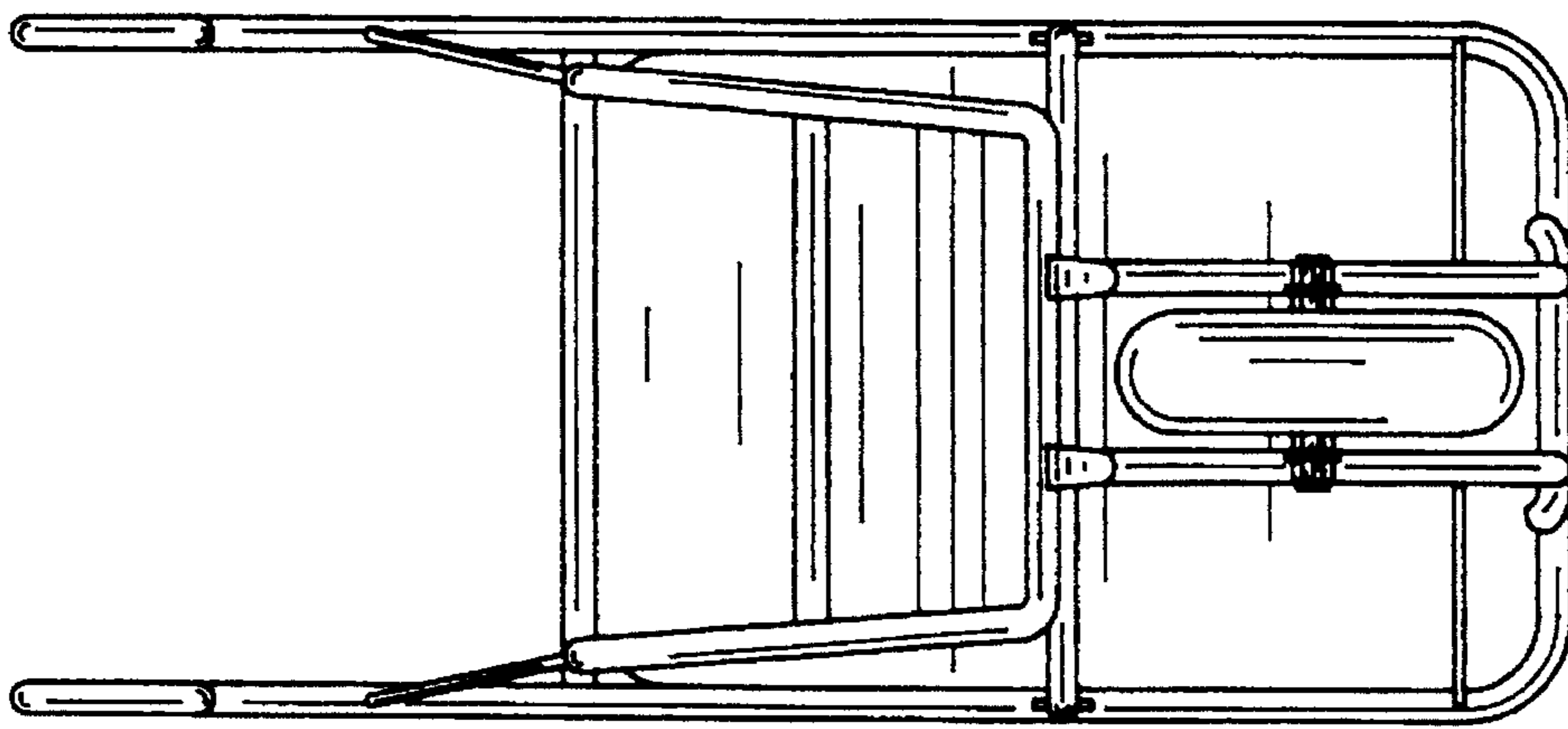


FIG. 17

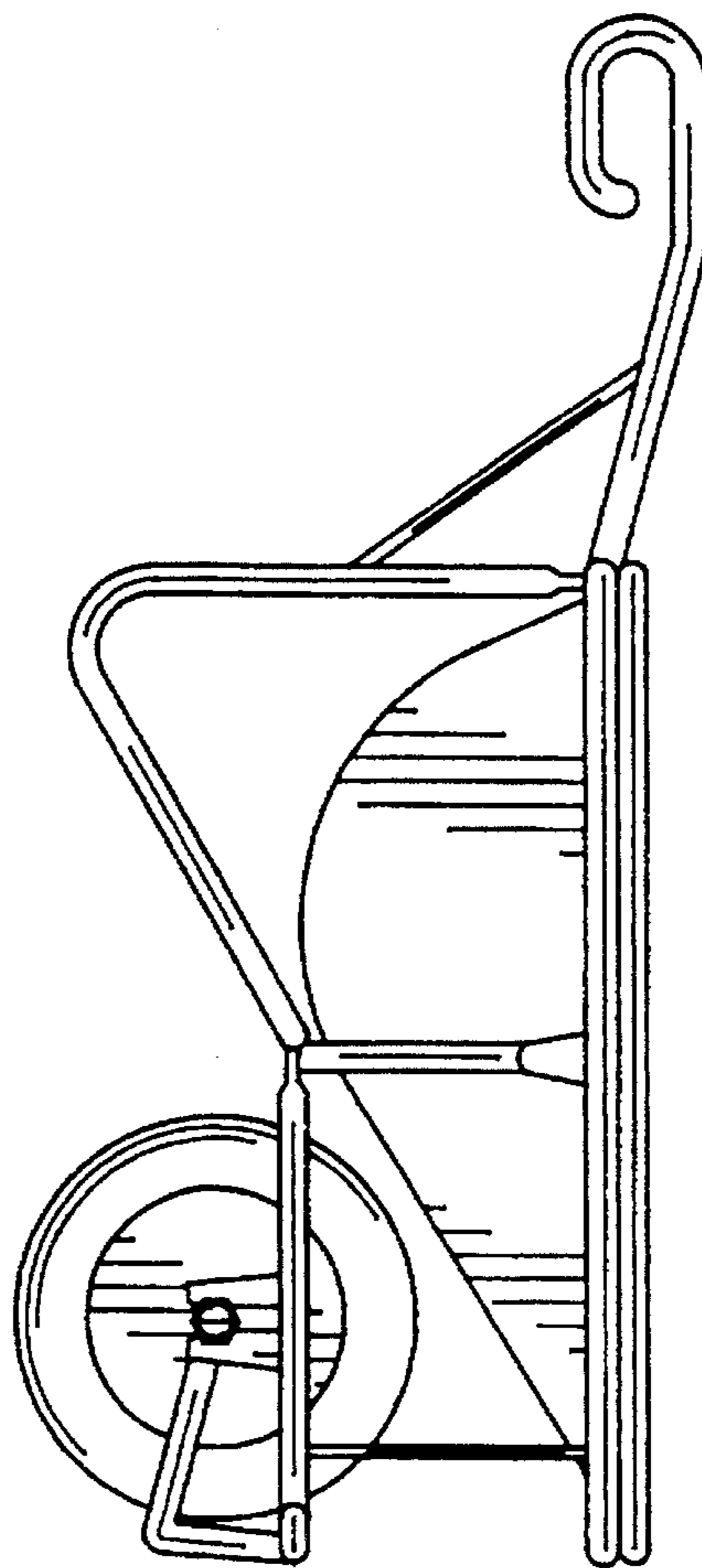


FIG. 18

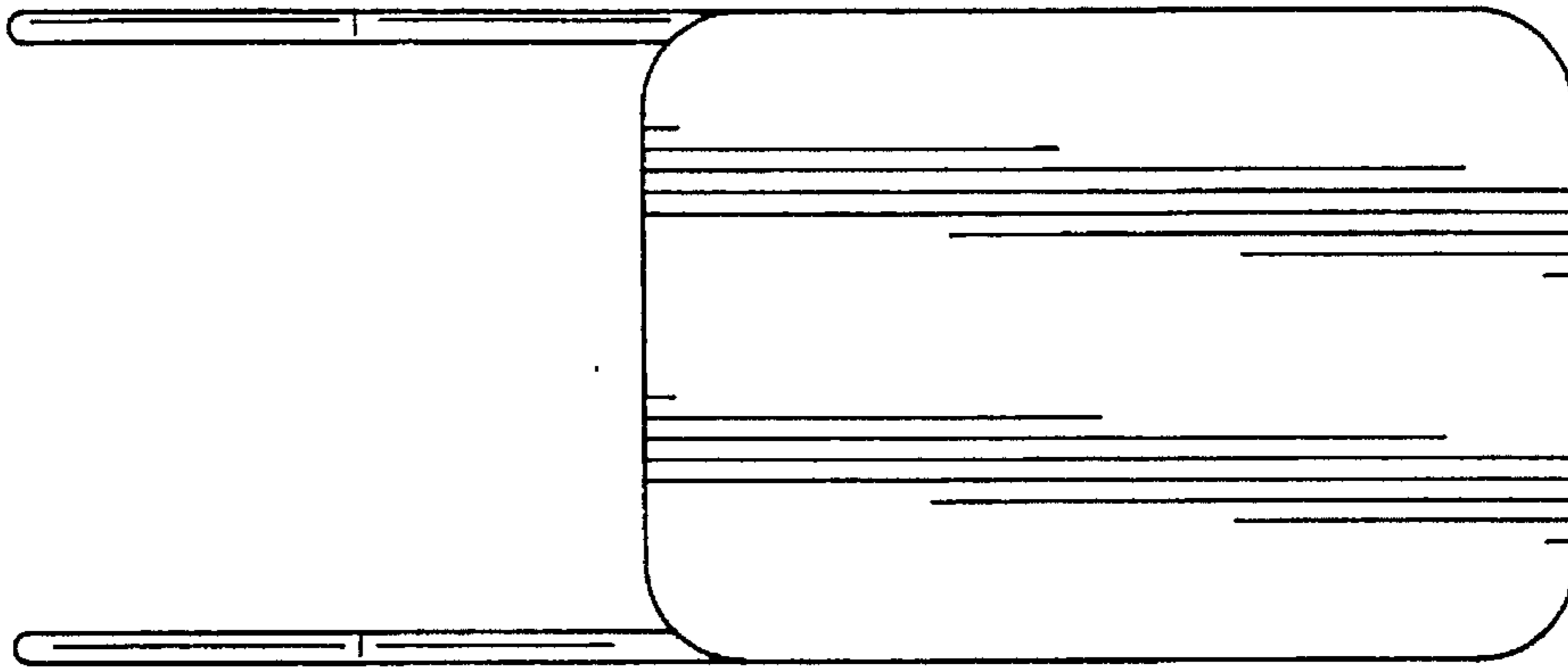


FIG. 19

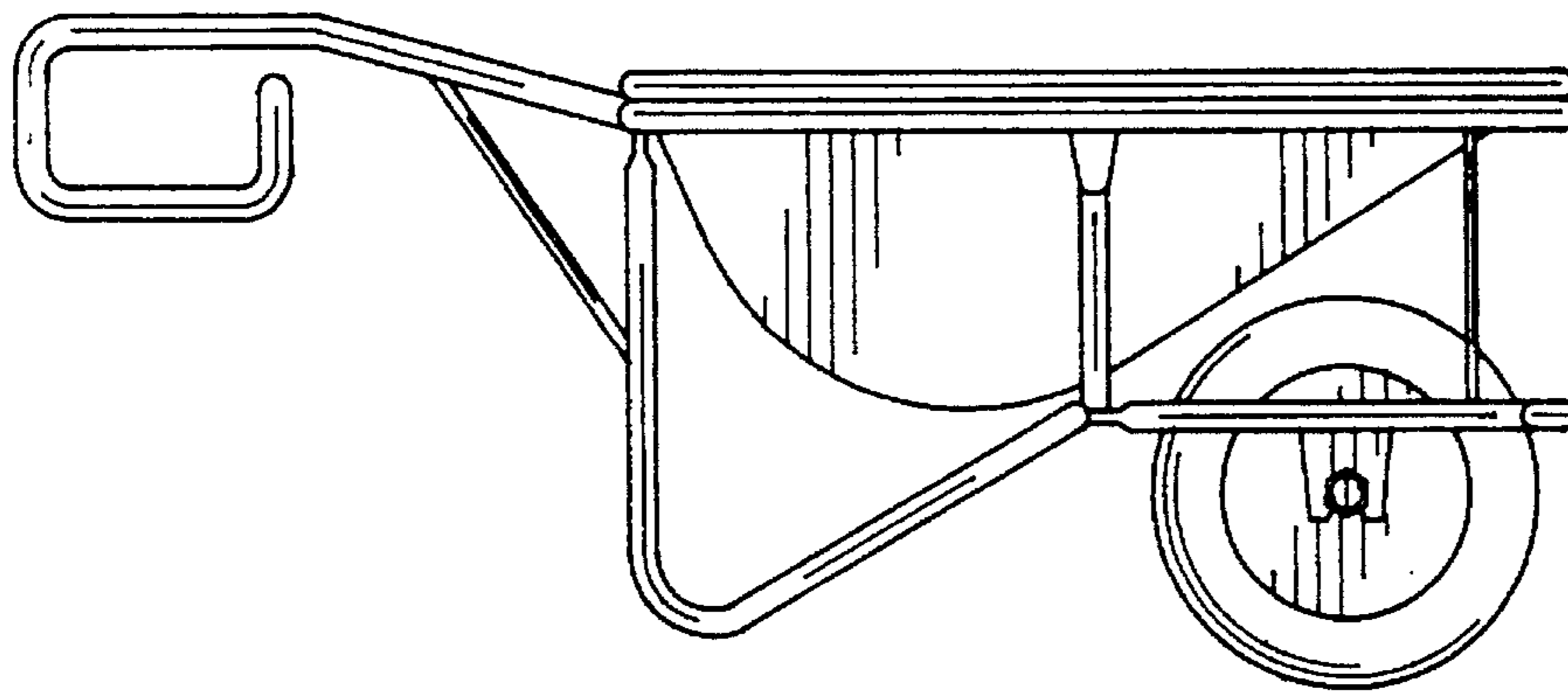


FIG. 20

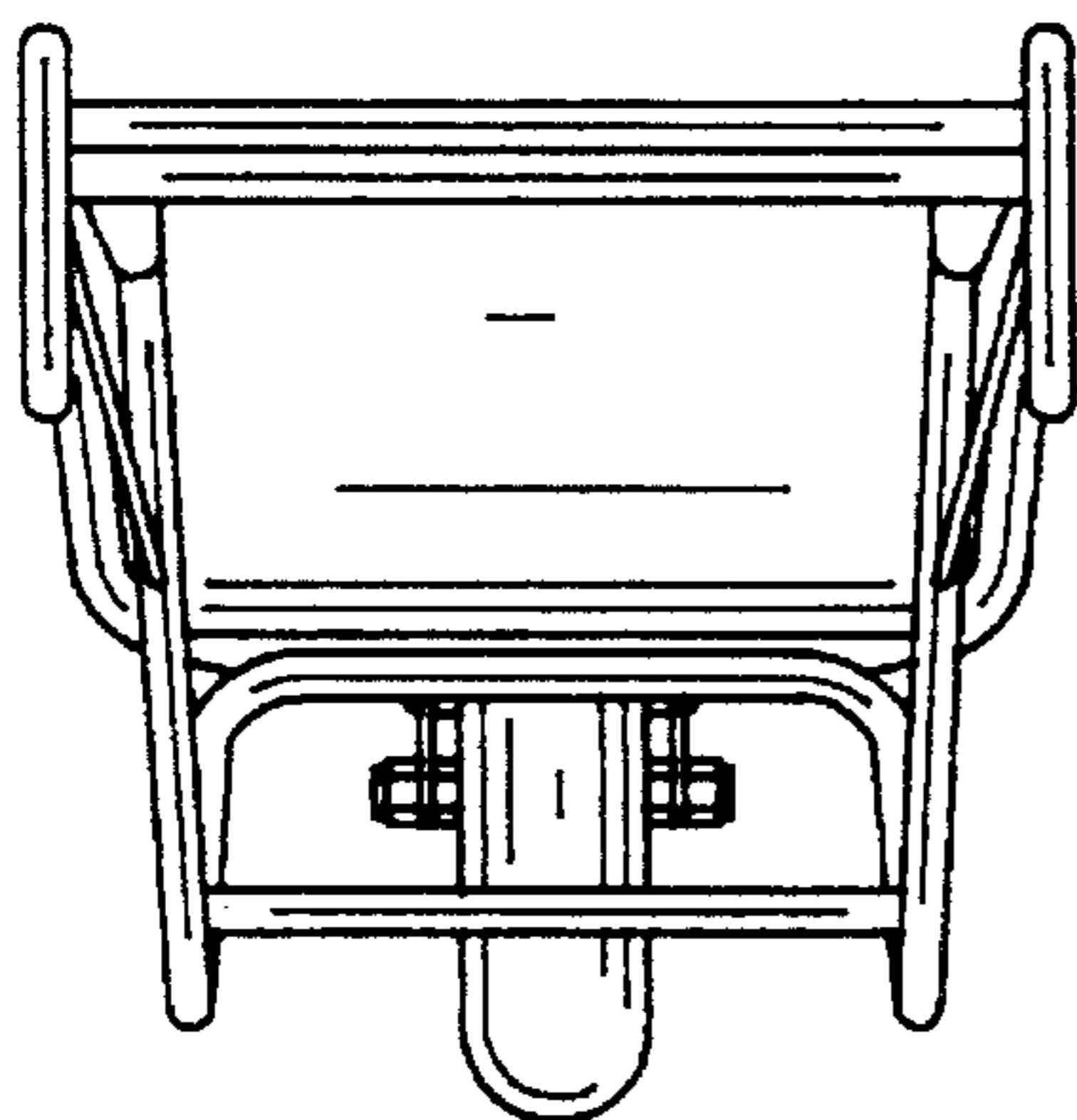


FIG. 21

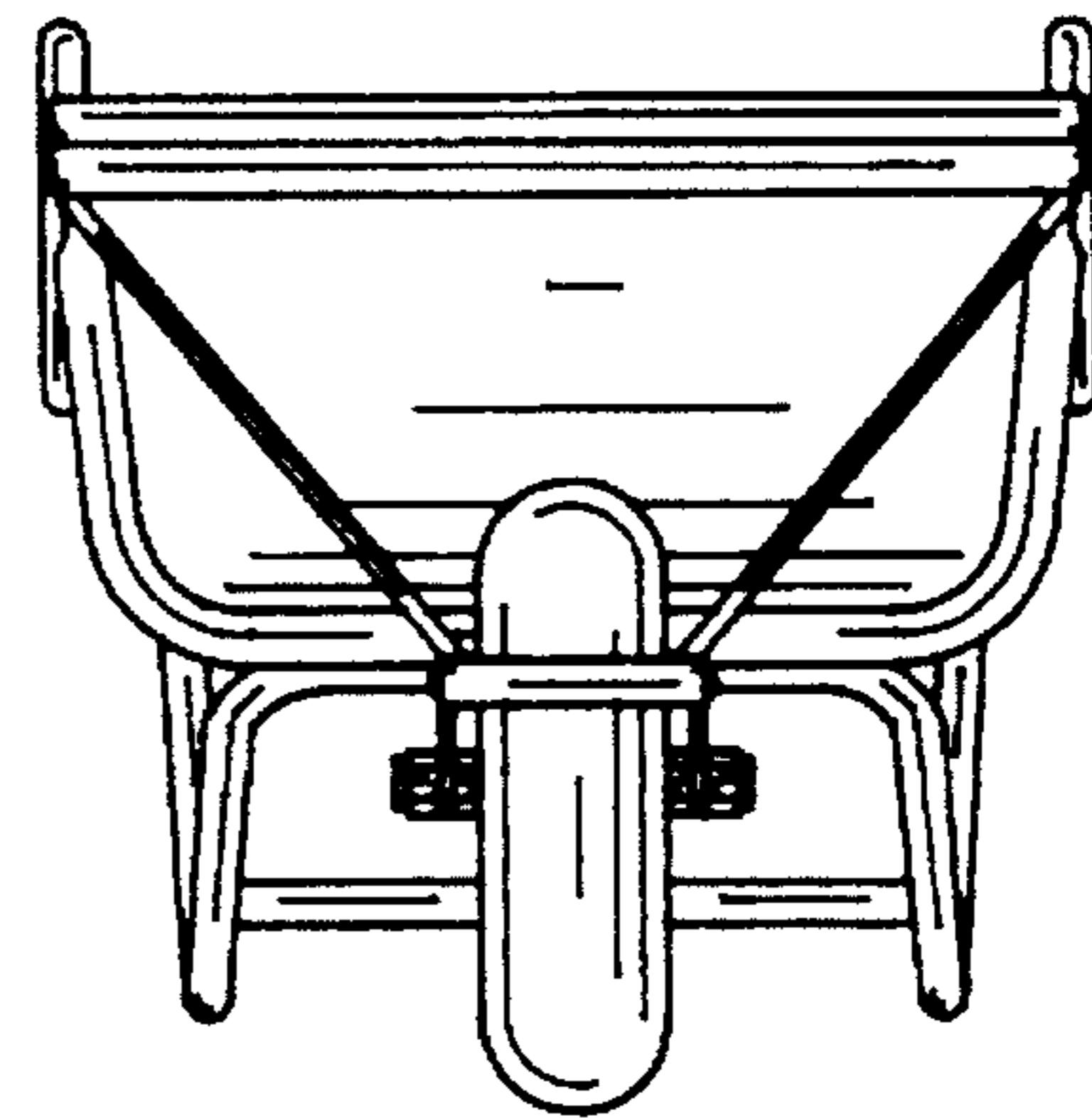


FIG. 22

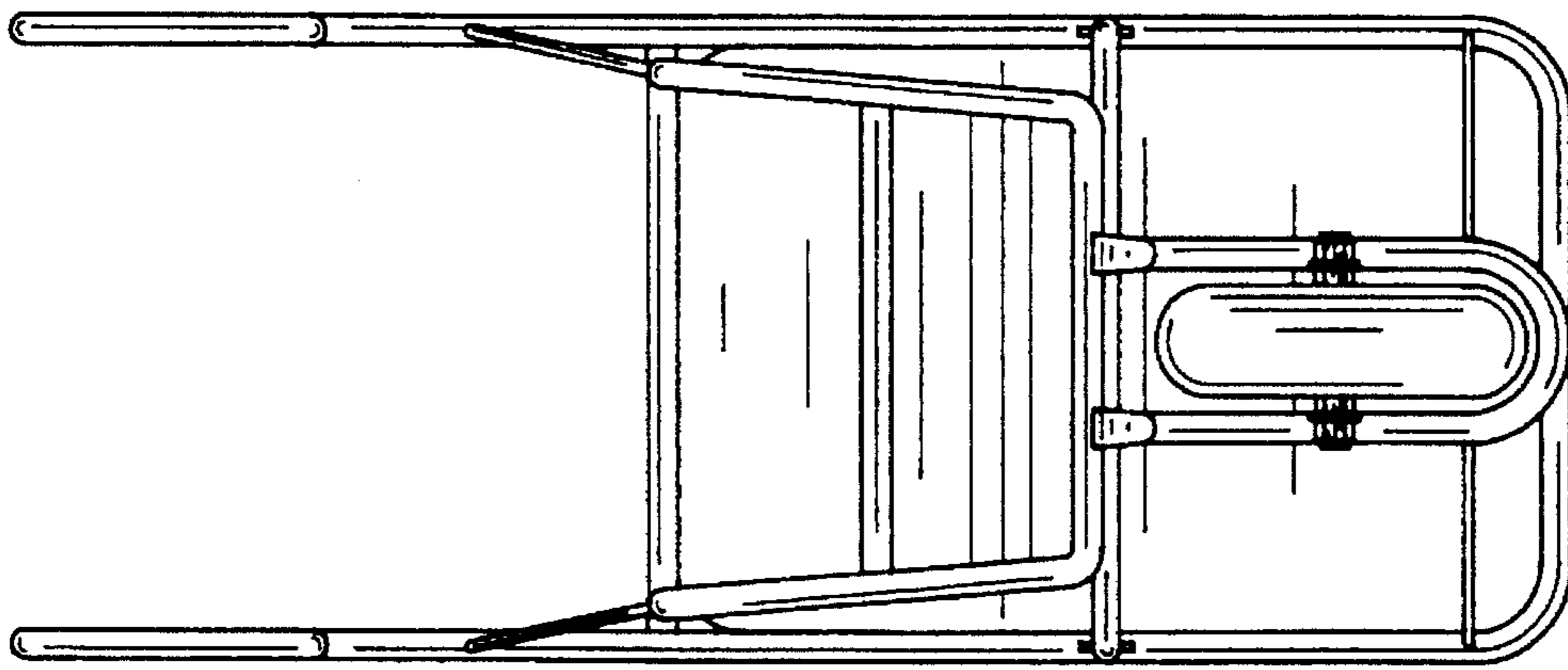


FIG. 23

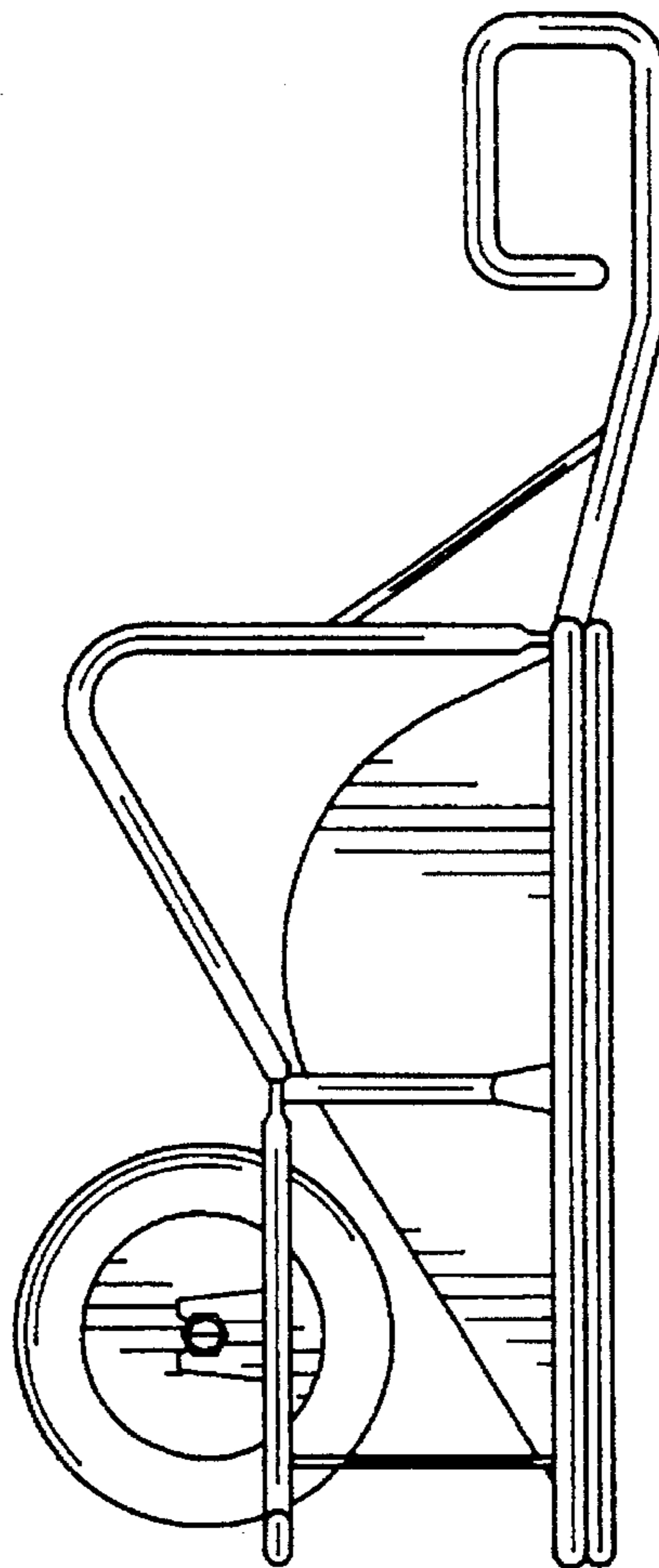


FIG. 24