



US00D374957S

United States Patent [19]

Keller et al.

[11] Patent Number: **Des. 374,957**

[45] Date of Patent: ****Oct. 22, 1996**

[54] **ELECTRIC GOLF BAG CART**

[75] Inventors: **Robert Keller**, Wallisellen, Switzerland; **Said Tanta**, Merignac, France

[73] Assignee: **Keller Golf A.G.**, Wallisellen, Switzerland

[**] Term: **14 Years**

[21] Appl. No.: **47,720**

[22] Filed: **Dec. 11, 1995**

[30] **Foreign Application Priority Data**

Aug. 25, 1995 [CH] Switzerland DMA/003045

[52] U.S. Cl. **D34/15**

[58] Field of Search D34/12, 15; 280/DIG. 5, 280/DIG. 6; 180/19.1, 19.3, 65.6

[56] **References Cited**

U.S. PATENT DOCUMENTS

D. 270,772 9/1983 Radencic D34/15
D. 321,964 11/1991 Alterbaum D34/15

D. 350,426 9/1994 Liao et al. D34/15
5,350,982 9/1994 Seib 280/DIG. 5

Primary Examiner—Kay H. Chin

[57] **CLAIM**

The ornamental design for an electric golf bag cart, as shown and described.

DESCRIPTION

FIG. 1 is a perspective view of an electric golf bag cart showing my new design;

FIG. 2 is a right side elevational view of the electric golf bag cart;

FIG. 3 is a rear elevational view of the electric golf bag cart;

FIG. 4 is a bottom plan view of the electric golf bag cart;

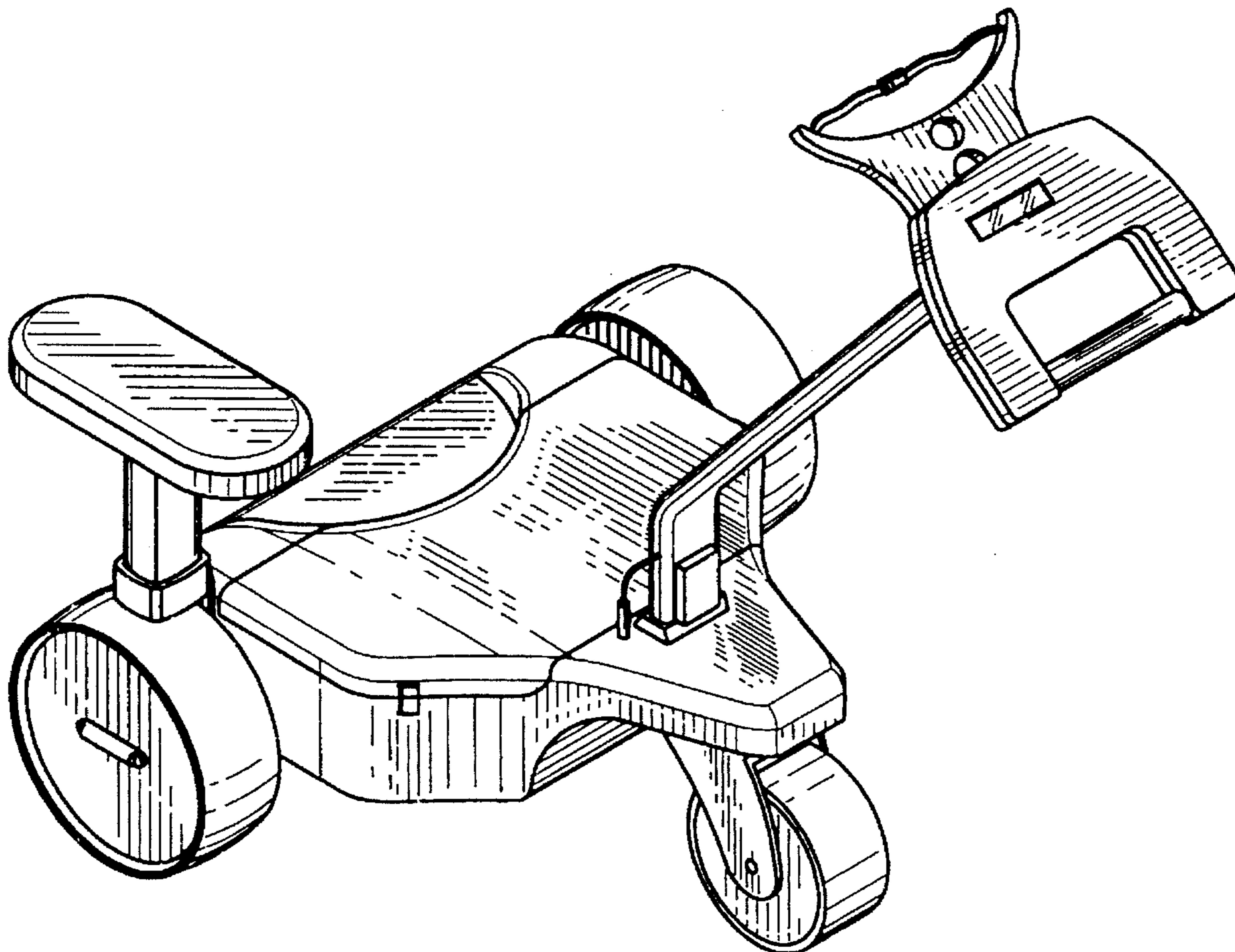
FIG. 5 is a top plan view of the electric golf bag cart;

FIG. 6 is a left side elevational view of the electric golf bag cart;

FIG. 7 is a front elevational view of the electric golf bag cart; and,

FIG. 8 is a cross section taken along line 8—8 of FIG. 6 to illustrate the rounded rectangular shape design of the upright piece of the electric golf bag cart.

1 Claim, 3 Drawing Sheets



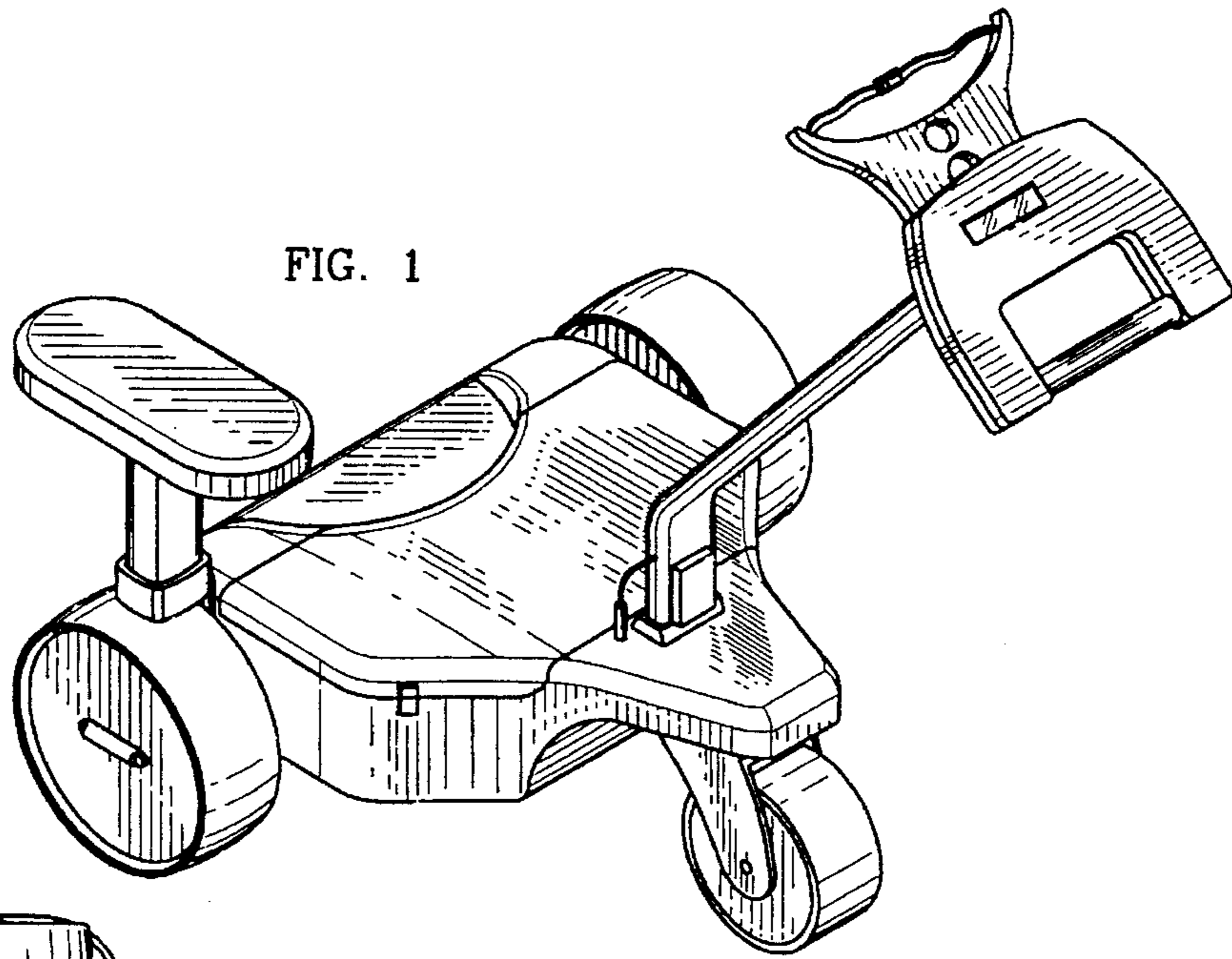


FIG. 1

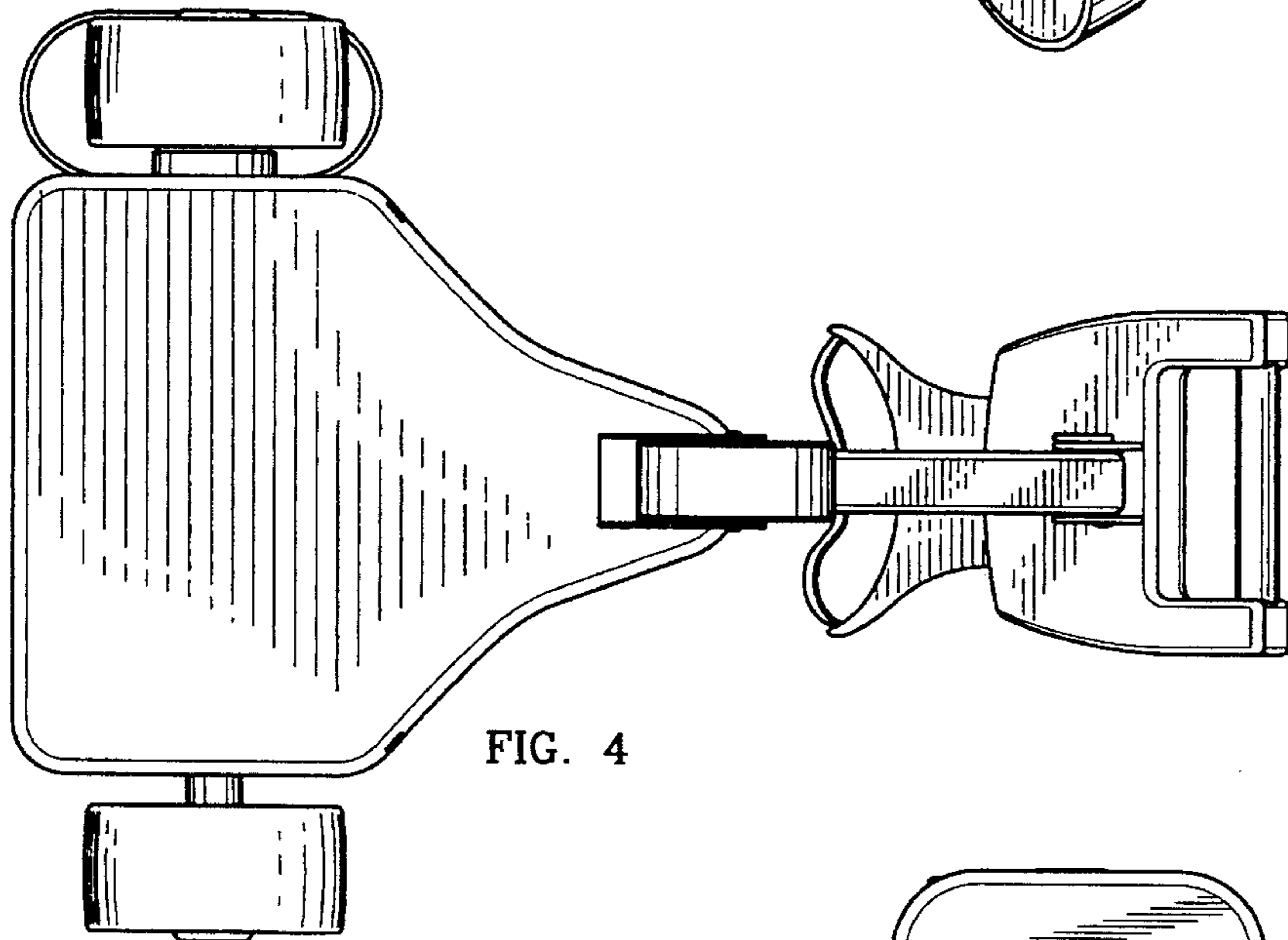


FIG. 4

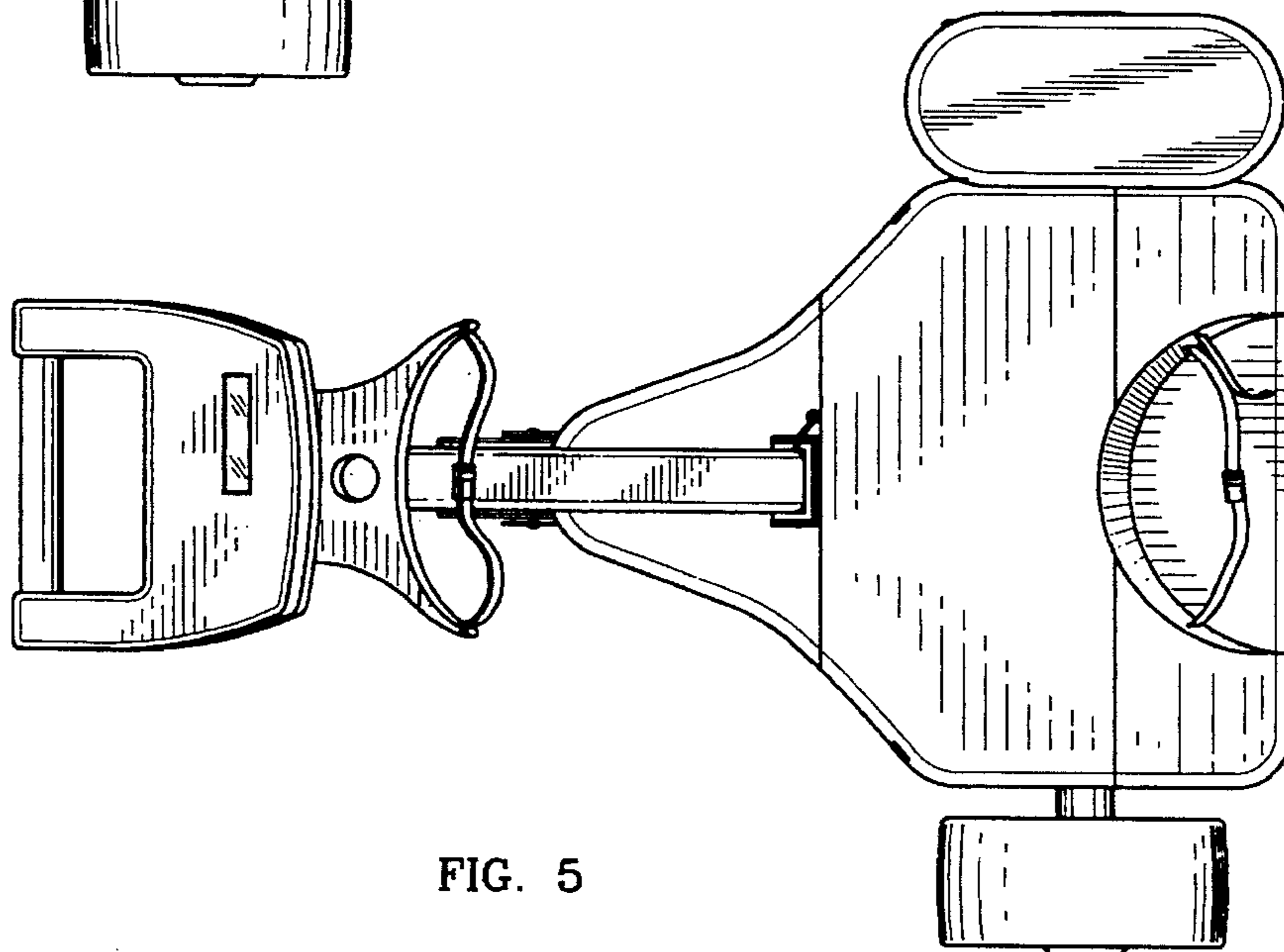


FIG. 5

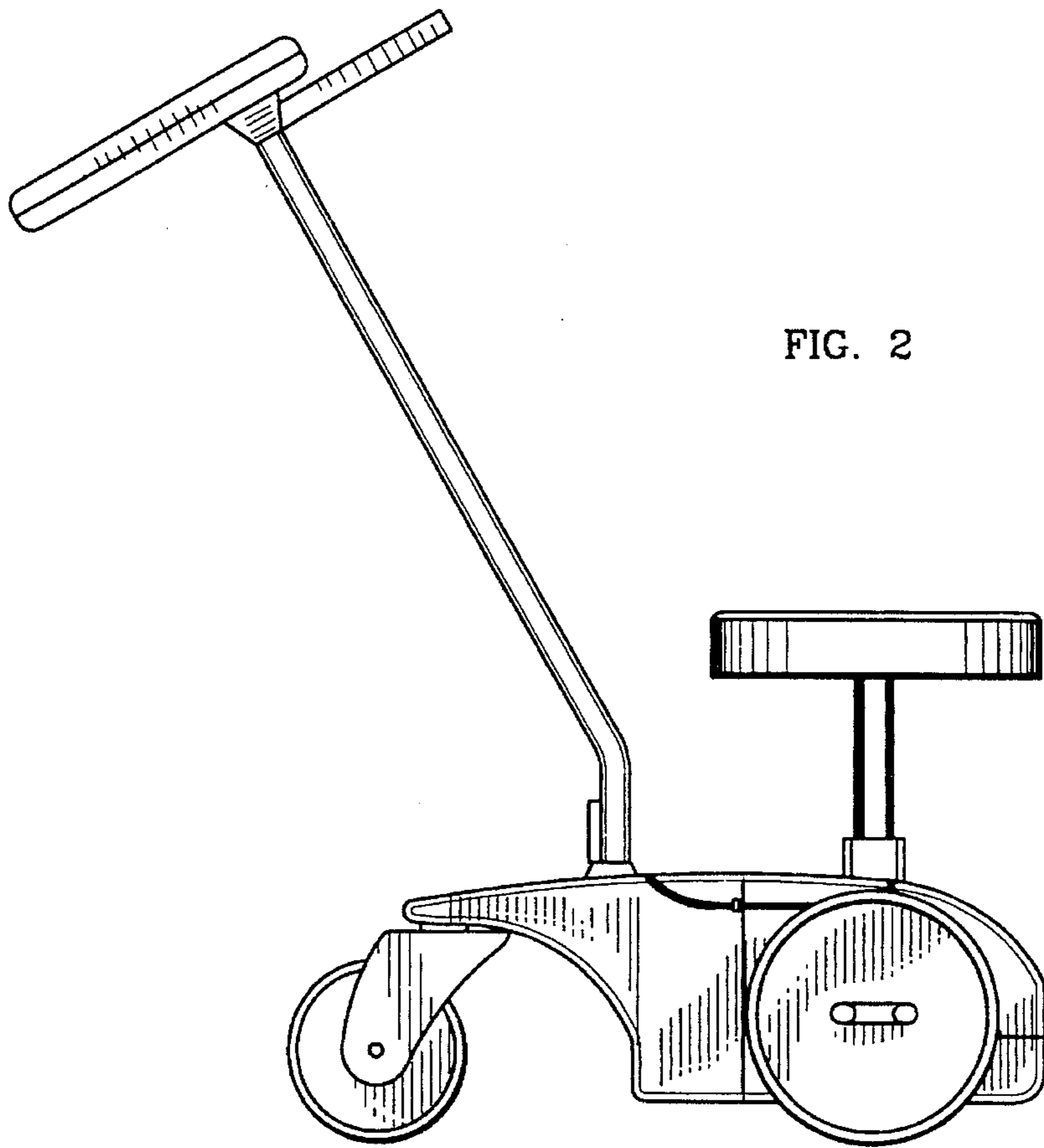


FIG. 2

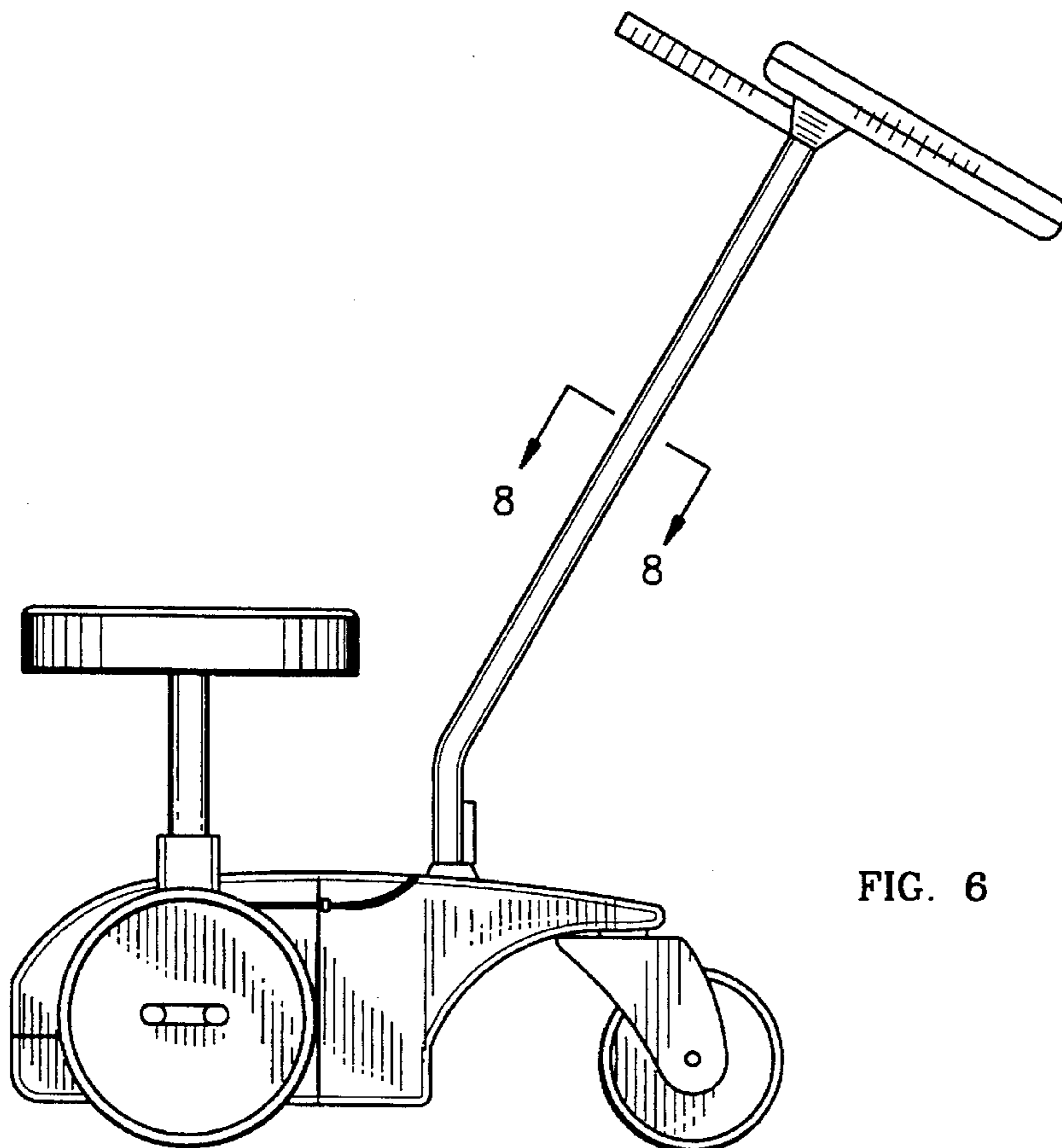


FIG. 6

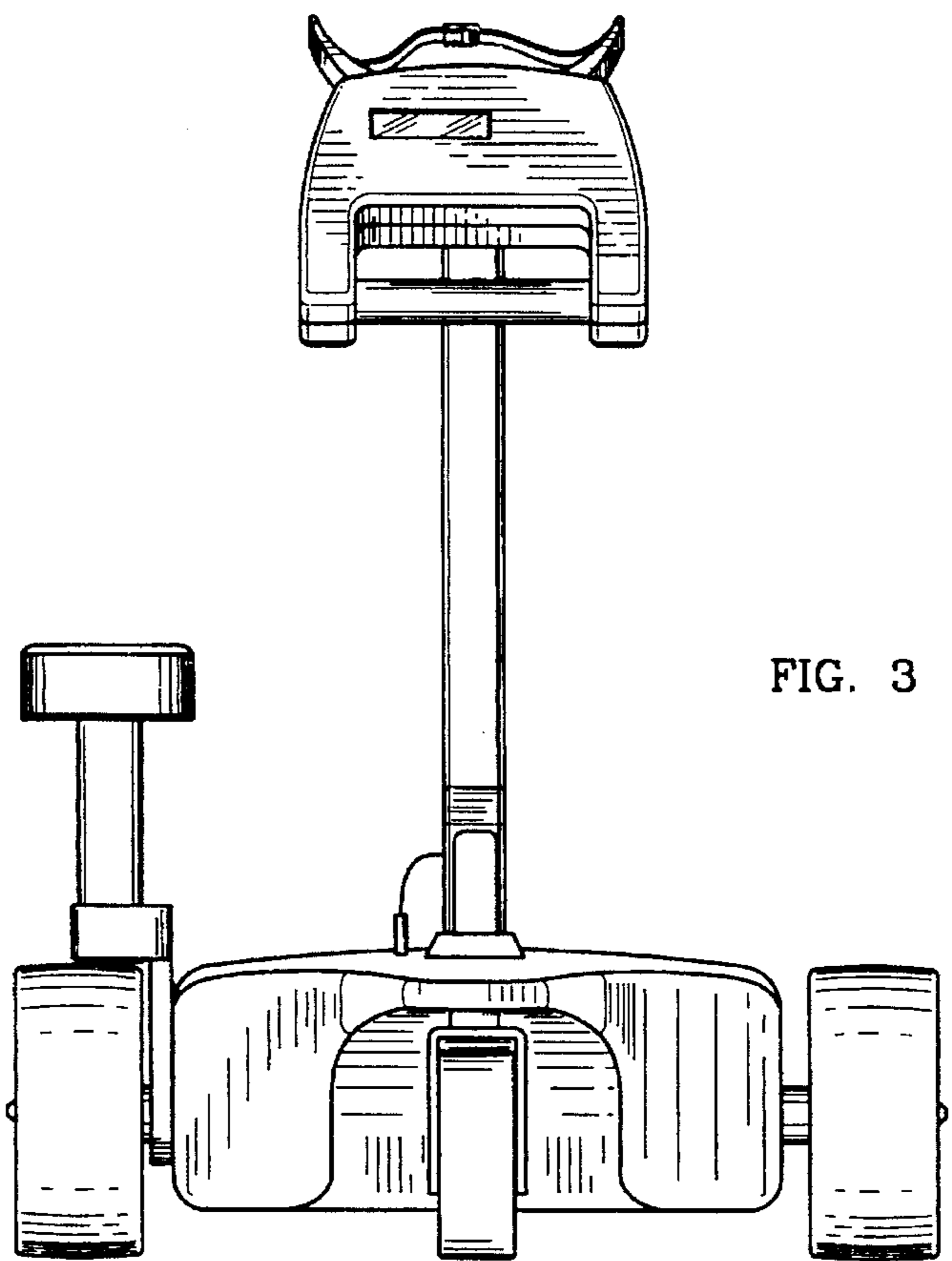


FIG. 3

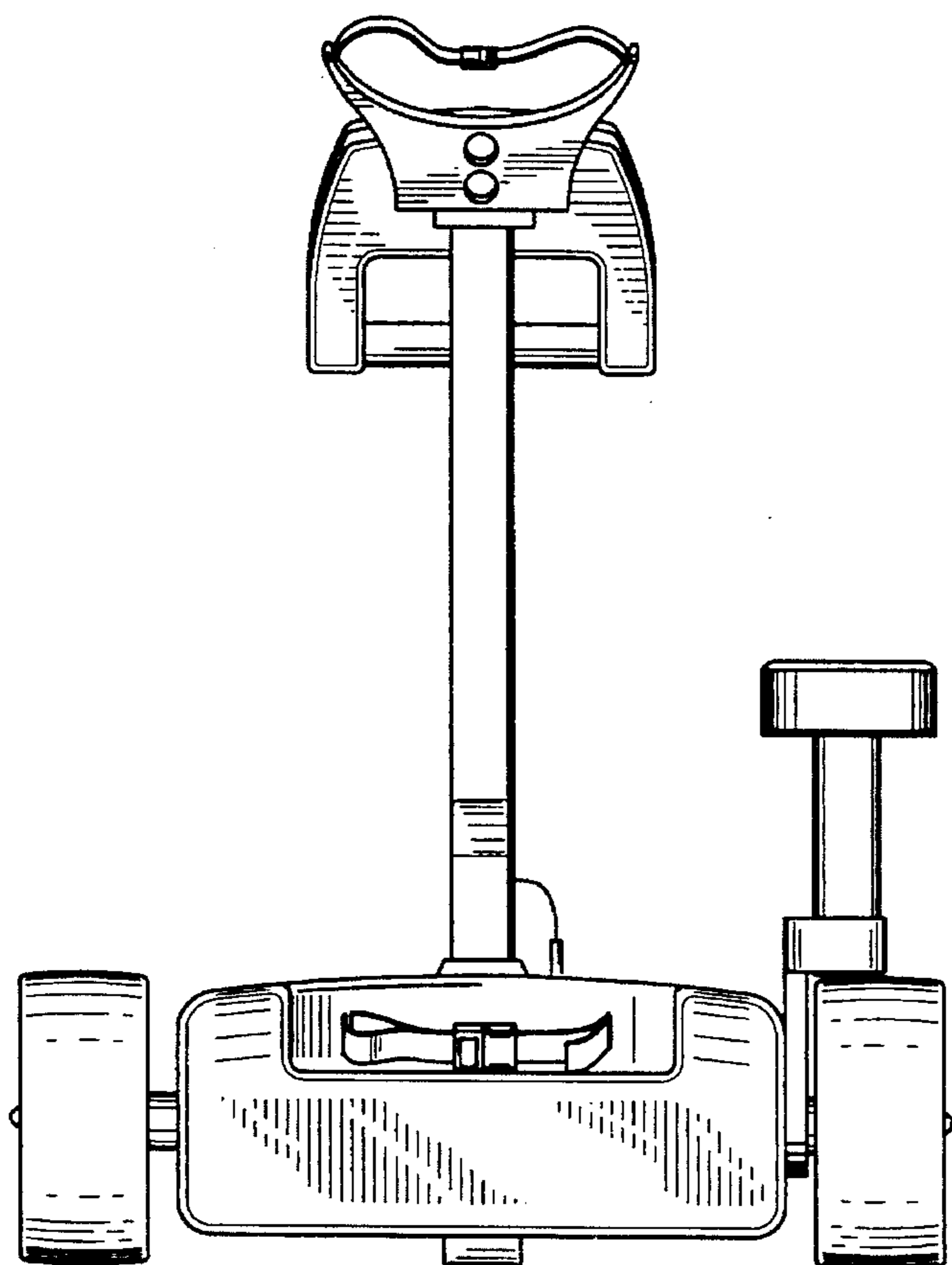


FIG. 7

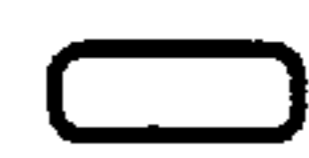


FIG. 8