



US00D374954S

**United States Patent** [19]  
**Katz et al.**

[11] **Patent Number:** **Des. 374,954**  
[45] **Date of Patent:** **\*\*Oct. 22, 1996**

[54] **APPLIANCE CABINET**  
[75] Inventors: **Jonathan M. Katz; Kevin S. Laundroche; Scott A. Calvert**, all of Louisville, Ky.  
[73] Assignee: **General Electric Company**, Louisville, Ky.  
[\*\*] Term: **14 Years**

D. 289,212 4/1987 Nakamura et al. .... D32/6  
D. 290,052 5/1987 Ohsawa et al. .... D32/6  
D. 292,629 11/1987 Nagai et al. .... D32/6  
D. 292,630 11/1987 Nagai et al. .... D32/8  
D. 359,602 6/1995 Swartz et al. .... D32/6

*Primary Examiner*—Ruth McInroy  
*Attorney, Agent, or Firm*—H. Neil Houser

[21] Appl. No.: **29,544**

[57] **CLAIM**

The ornamental design for an appliance cabinet, as shown and described.

[22] Filed: **Oct. 7, 1994**

**DESCRIPTION**

[52] U.S. Cl. .... **D32/6**  
[58] Field of Search ..... D32/1, 5-8, 11, D32/12, 13; 68/19, 19.2, 20, 5 R, 139, 140, 142, 171-173; 34/127

FIG. 1 is a front perspective view of an appliance cabinet showing our new design;  
FIG. 2 is a side elevation view thereof;  
FIG. 3 is a top plan view thereof; and,  
FIG. 4 is a front elevation view thereof.  
The undisclosed rear portion of the appliance cabinet forms no part of the claimed design.

[56] **References Cited**

**U.S. PATENT DOCUMENTS**

D. 183,665 10/1958 Sundberg ..... D32/8  
D. 284,124 6/1986 Hariguchi et al. .... D32/6

**1 Claim, 2 Drawing Sheets**

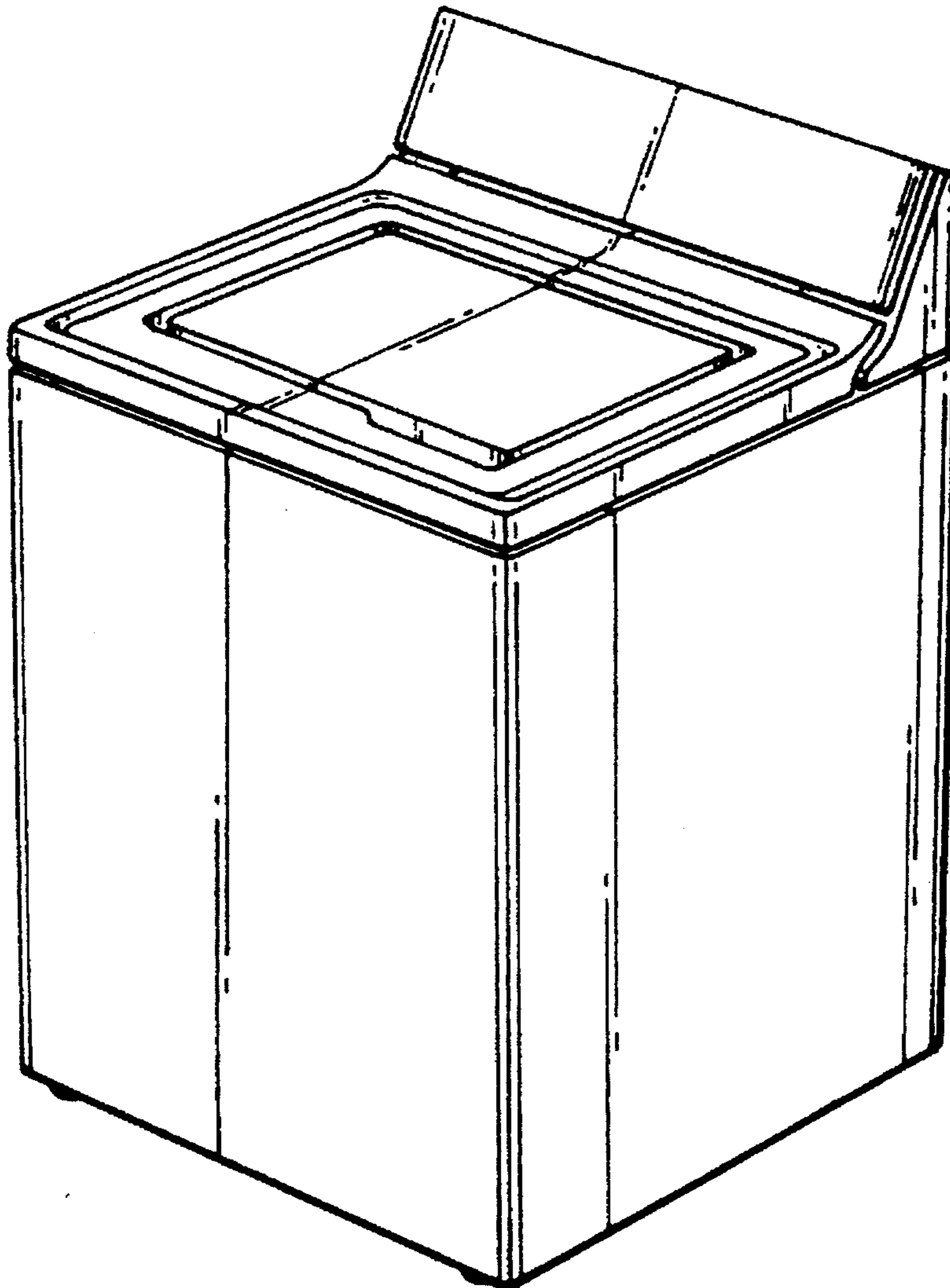


Fig. 1

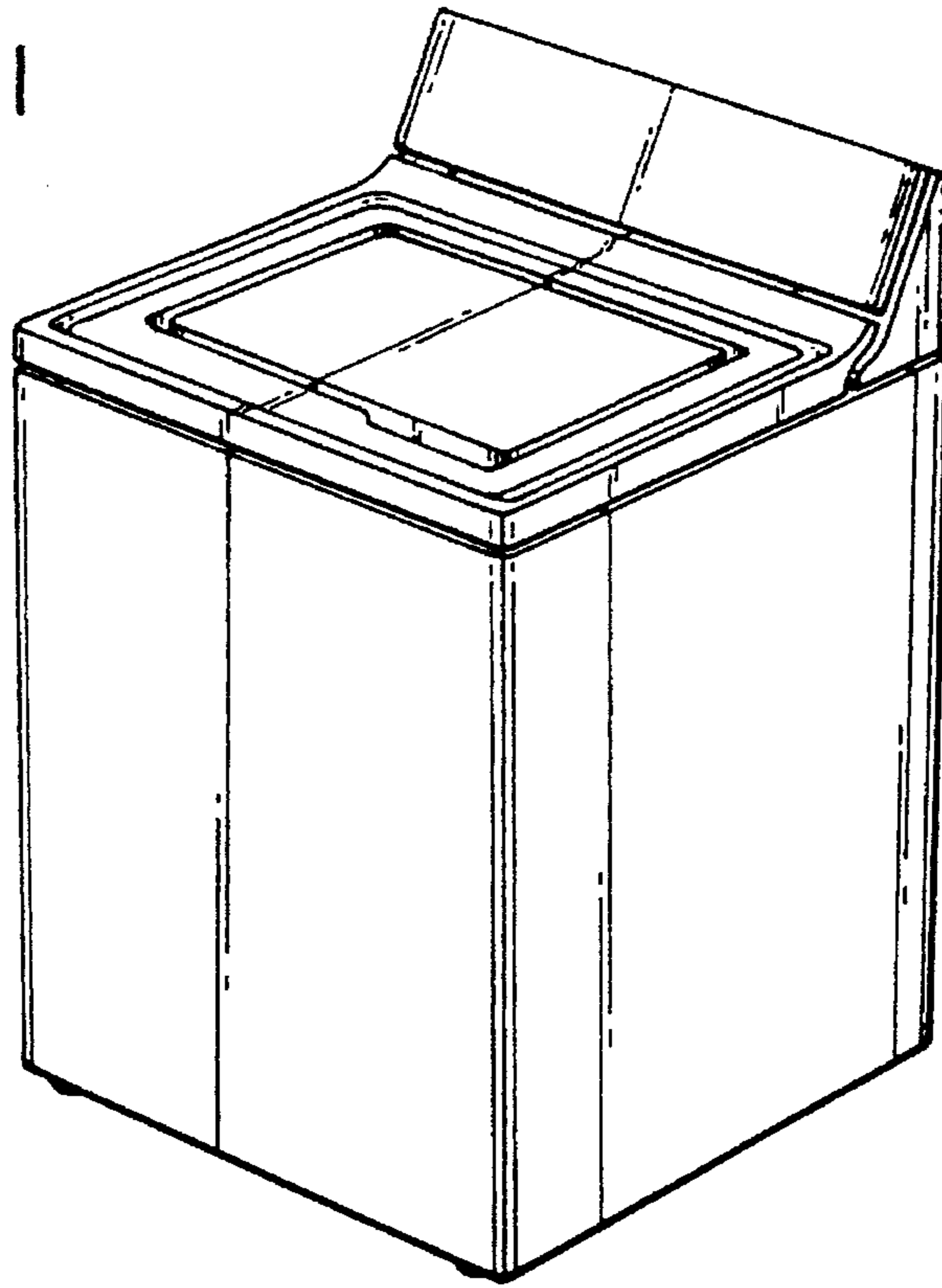


Fig. 2

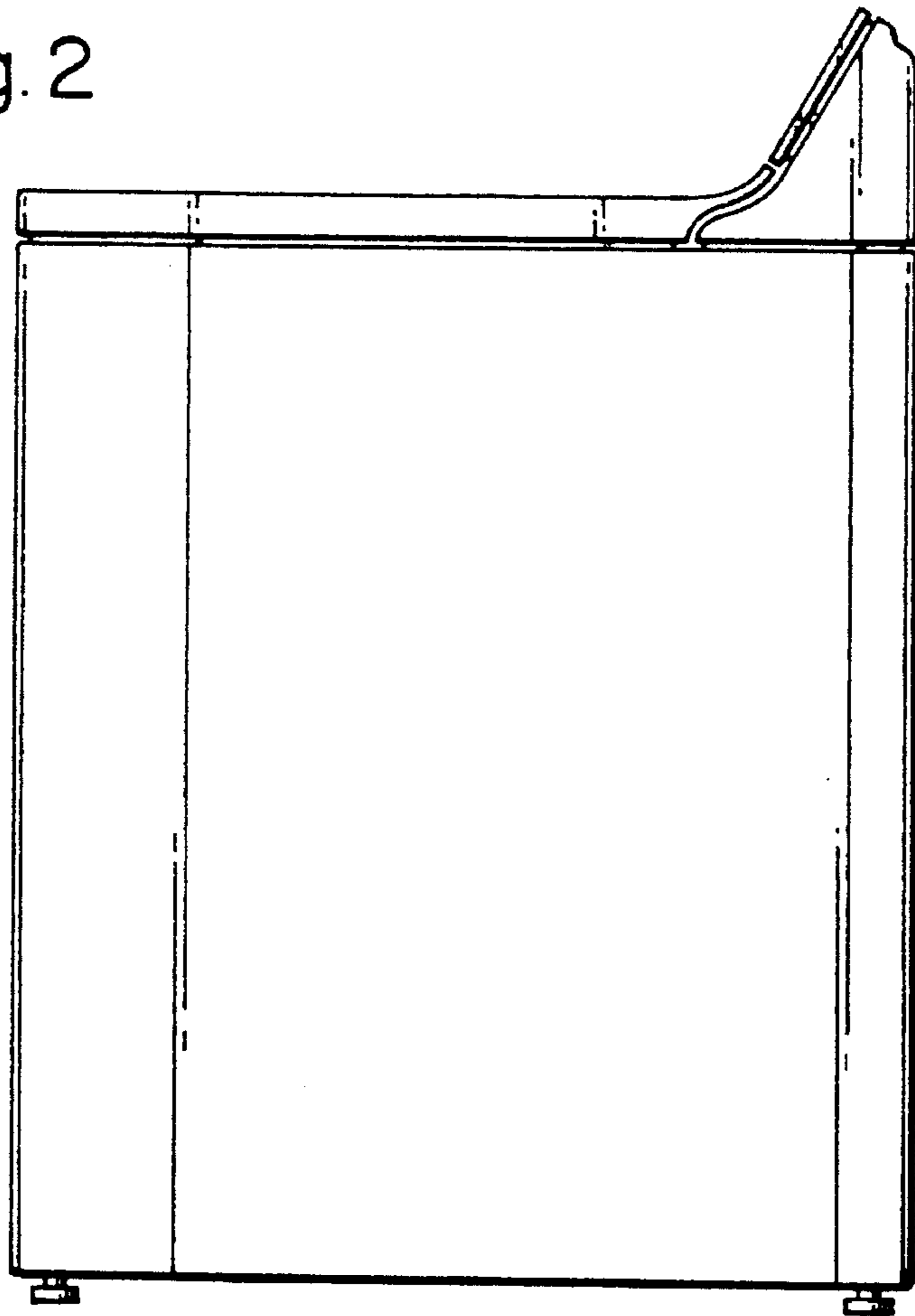


Fig. 3

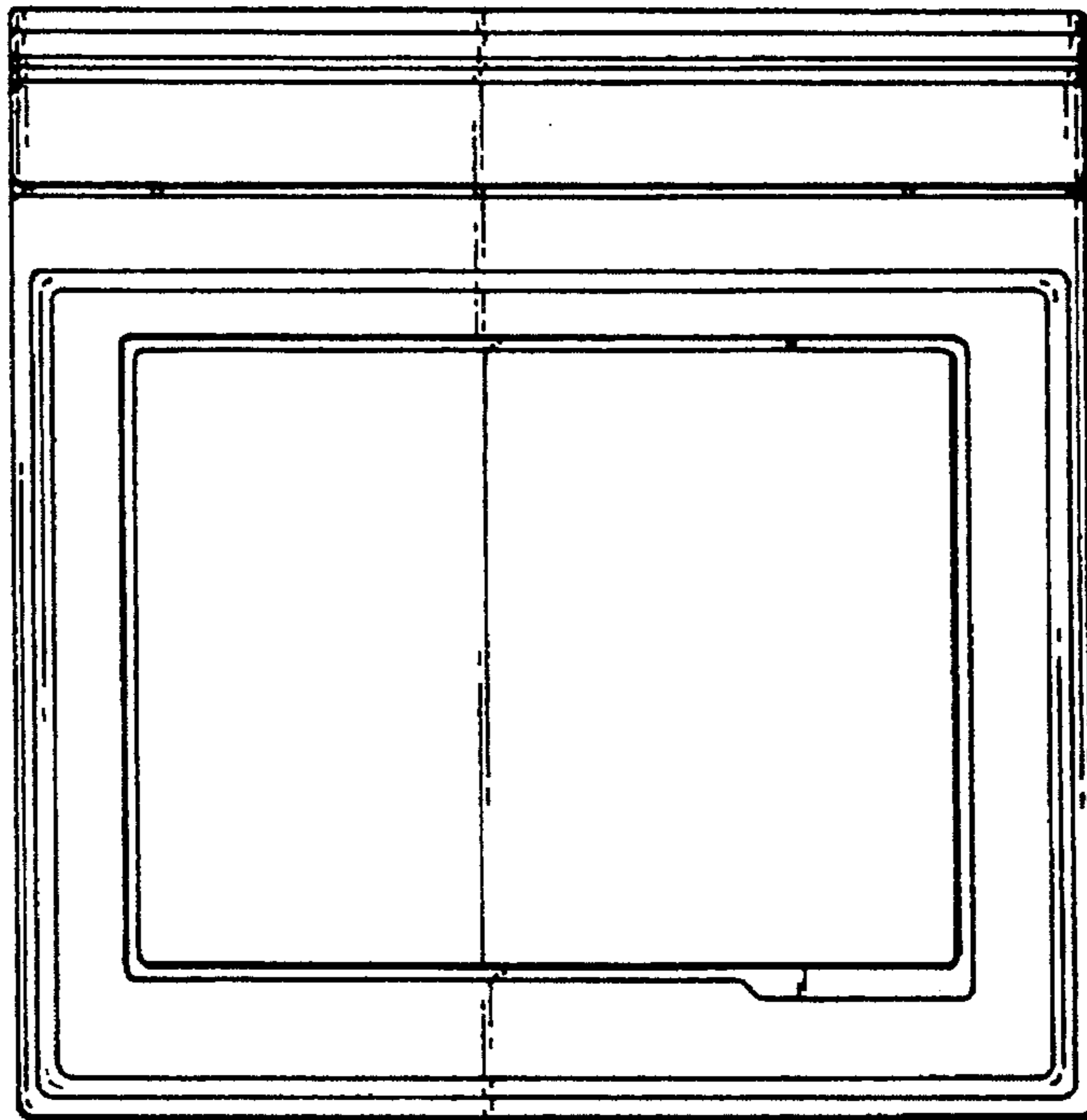


Fig. 4

