



US00D374947S

United States Patent [19]

Chiaramonte

[11] Patent Number: **Des. 374,947**

[45] Date of Patent: ****Oct. 22, 1996**

[54] LOTION APPLICATOR

[76] Inventor: **Anthony Chiaramonte**, 135 Richmond Ave., Medford, N.Y. 11763

[**] Term: **14 Years**

[21] Appl. No.: **46,247**

[22] Filed: **Nov. 9, 1995**

[52] U.S. Cl. **D28/7; D4/137; D28/63**

[58] Field of Search D28/7, 63; D4/137, D4/138; D32/40, 45, 51, 52; 132/320; 401/6, 196, 198, 202-206, 261, 263-266, 268, 270-275; 15/244.1-244.4

[56] **References Cited**

U.S. PATENT DOCUMENTS

D. 252,709	8/1979	MacFadden	D28/7
D. 294,202	2/1988	Adair	D32/45
D. 299,558	1/1989	Robison	D28/63 X
D. 308,733	6/1990	Damians	D28/7
D. 323,568	1/1992	Hackler	D28/7 X
1,840,812	1/1932	Hardy	401/204 X
2,829,393	4/1958	Turcotte	401/207

5,322,382	6/1994	Hull et al.	401/202 X
5,437,372	8/1995	Per-Lee	206/581

FOREIGN PATENT DOCUMENTS

2625743	12/1977	Germany	132/320
---------	---------	---------	-------	---------

Primary Examiner—Ted Shooman

Assistant Examiner—C. Tuttle

Attorney, Agent, or Firm—Harpman & Harpman

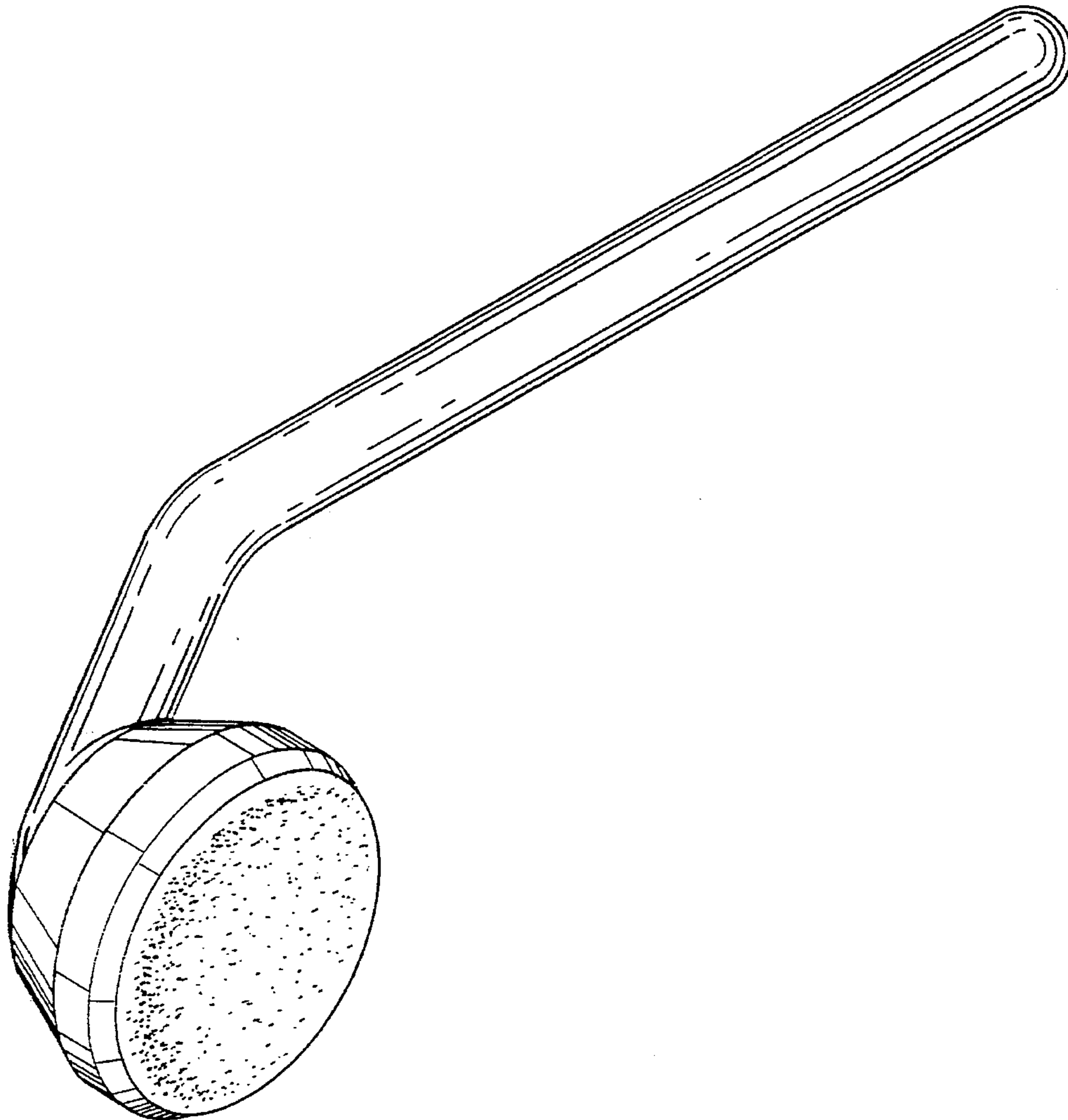
[57] **CLAIM**

The ornamental design for a lotion applicator, as shown and described.

DESCRIPTION

FIG. 1 is a front, top and side perspective view of the lotion applicator embodying the design of the present invention; FIG. 2 is a front elevational view thereof; FIG. 3 is a rear elevational view thereof; FIG. 4 is a side elevational view thereof, the opposite side elevational view being a mirror image of the side shown; FIG. 5 is a top plan view thereof; and, FIG. 6 is a bottom plan view thereof.

1 Claim, 3 Drawing Sheets



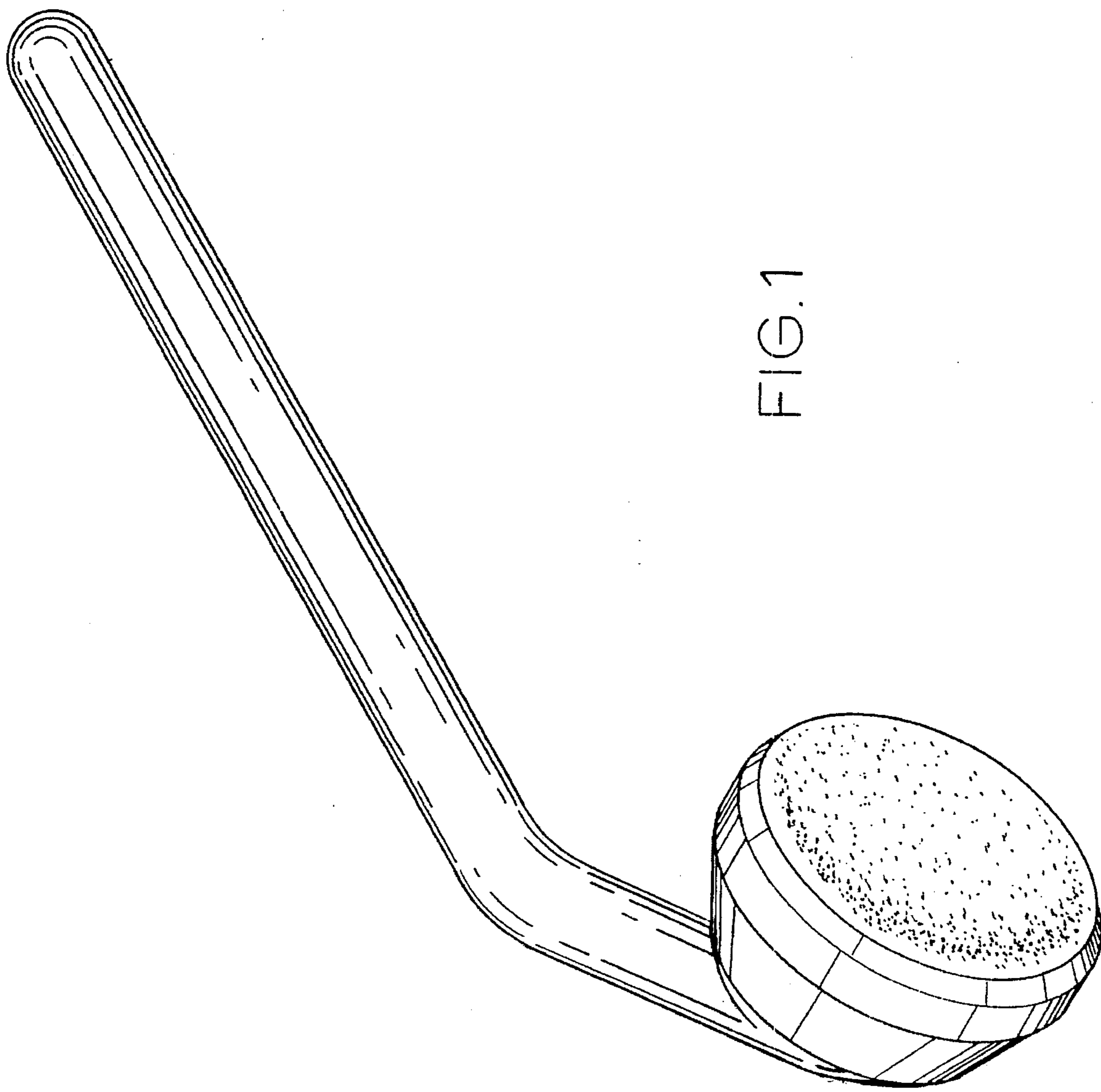


FIG. 1

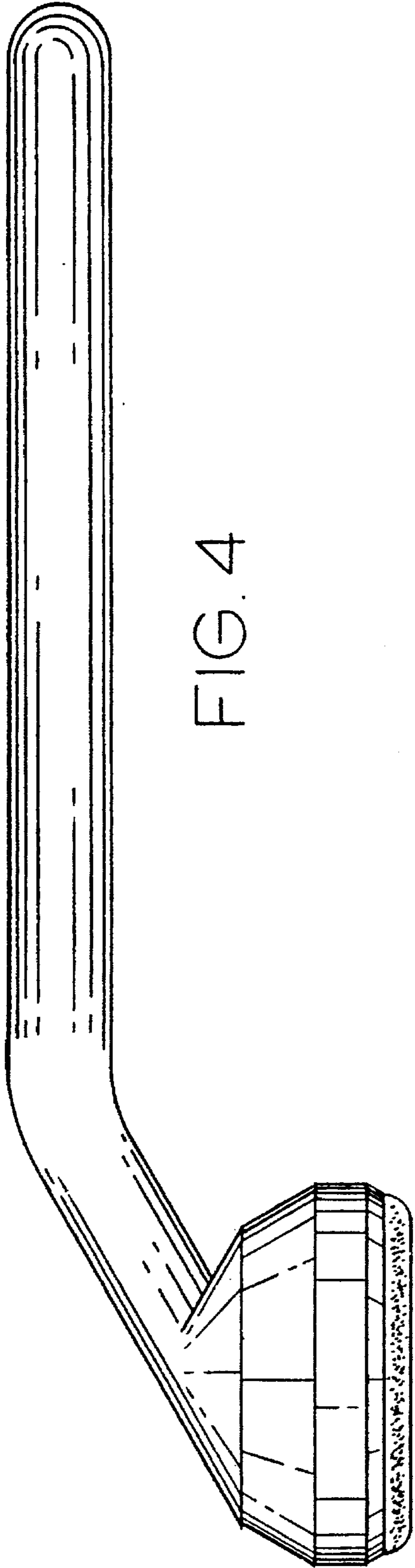


FIG. 4

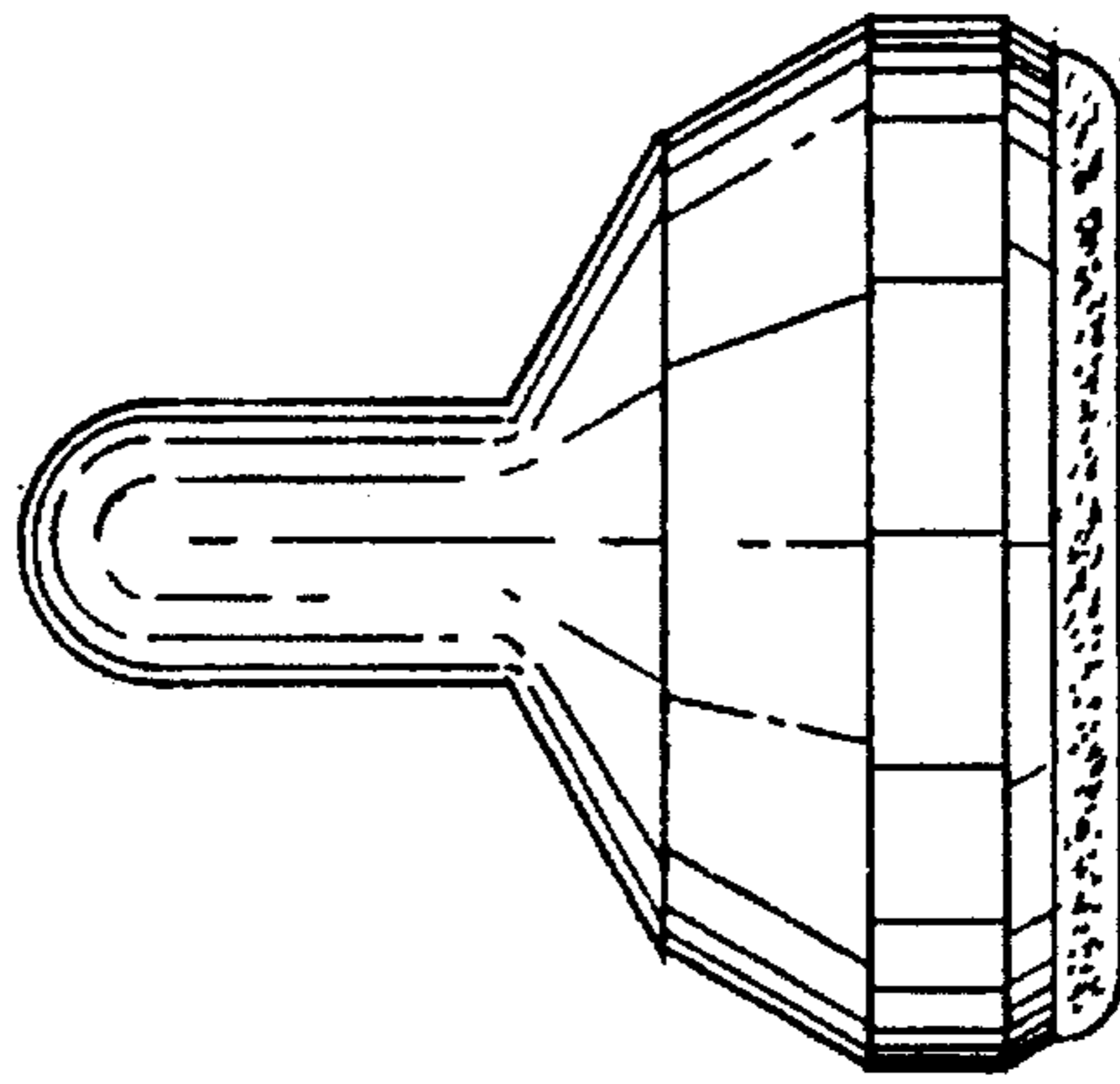


FIG. 2

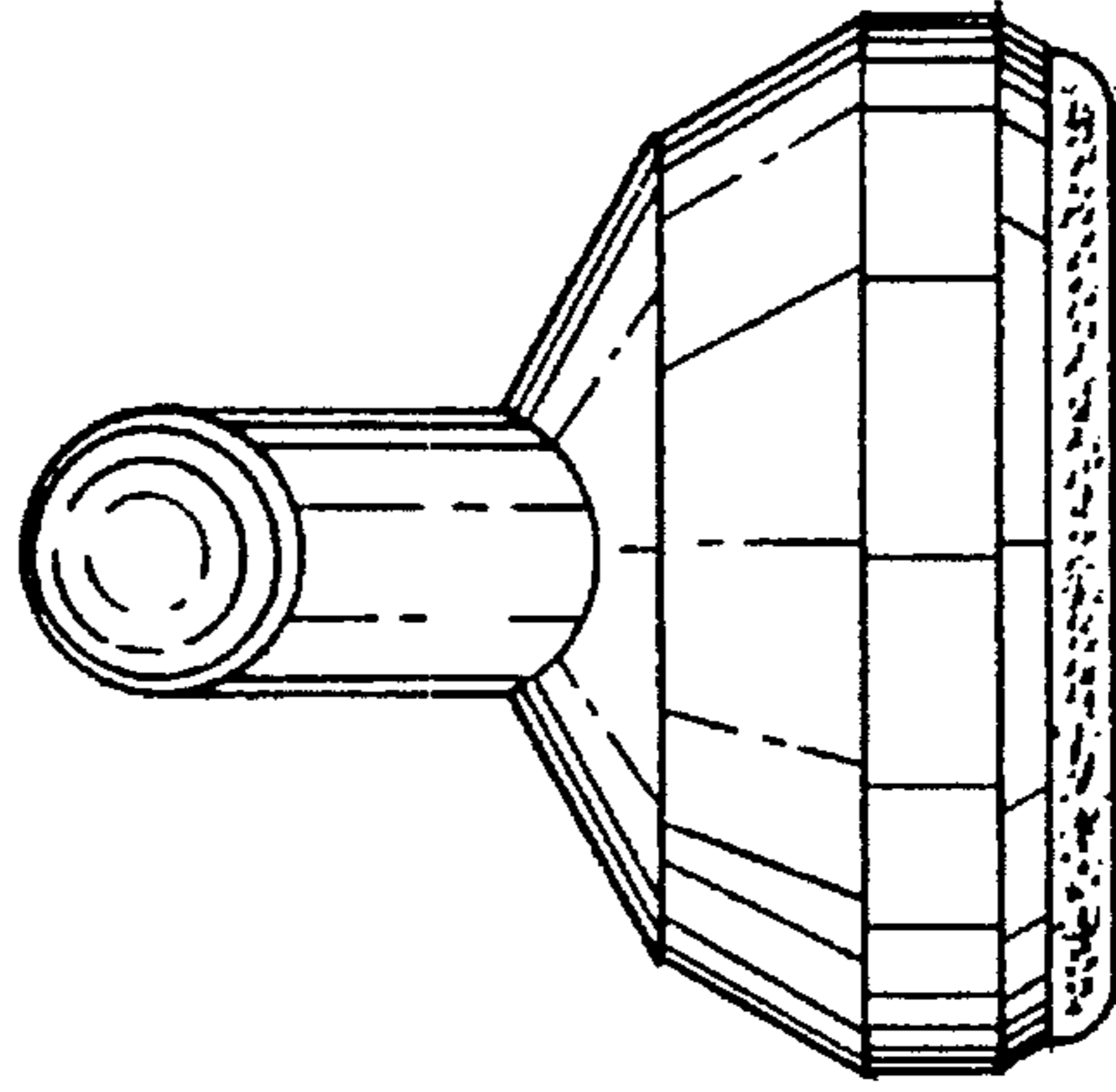


FIG. 3

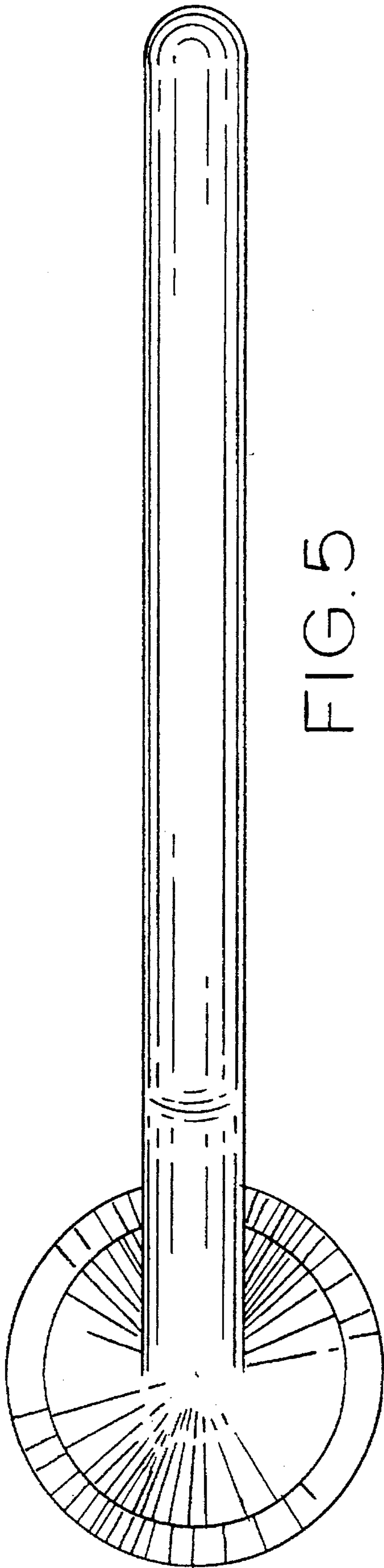


FIG. 5

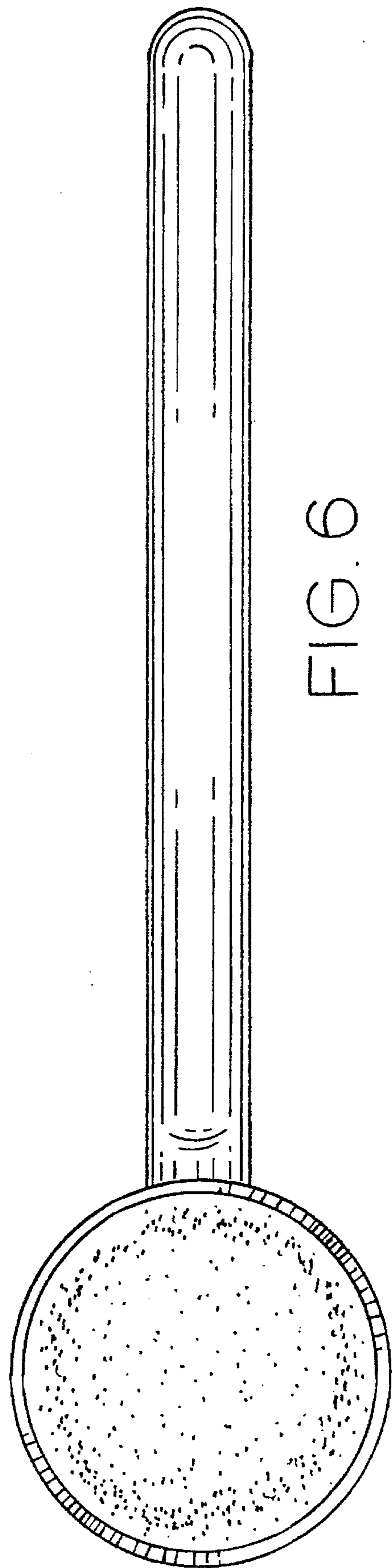


FIG. 6