



US00D374946S

# United States Patent [19]

[11] **Patent Number: Des. 374,946**

**Meurlin**

[45] **Date of Patent: \*\*Oct. 22, 1996**

[54] **BLEND, MOISTEN AND STORAGE SYSTEM FOR TOBACCO PRODUCTS**

*Primary Examiner*—Louis S. Zarfes  
*Assistant Examiner*—Monica A. Hannon

[76] Inventor: **Donald Meurlin**, 135 Forest Ave.,  
Massapequa, N.Y. 11758

[57] **CLAIM**

[\*\*] Term: **14 Years**

The ornamental design for a blend, moisten and storage system for tobacco products, as shown and described.

[21] Appl. No.: **21,253**

**DESCRIPTION**

[22] Filed: **Apr. 13, 1994**

[52] U.S. Cl. .... **D27/189; 27/183**

[58] **Field of Search** ..... D27/184, 193,  
D27/194, 195, 172, 186-191; 131/300;  
D6/440, 470; D23/356; D9/423, 432; 220/339,  
636; 229/127; 312/31, 31.01

FIG. 1 is a left front perspective view of the blend, moisten and storage system for tobacco products showing my new design;

FIG. 2 is a left front perspective view thereof wherein a first cover is removed and the storage drawer has been opened; FIG. 3 is a left rear perspective exploded view thereof showing both covers, the aerating tray, the reservoir tray and the base;

[56] **References Cited**

**U.S. PATENT DOCUMENTS**

D. 5,277	9/1871	Lis	.....	D9/341
D. 171,102	12/1953	Patriarca	.....	D12/194 X
D. 181,490	11/1957	Ostergard	.....	D27/187 X
290,141	12/1883	Swift	.....	312/31 X
527,291	10/1894	Robinson	.....	312/31 X

FIG. 4 is a top plan view of the aerating tray;

FIG. 5 is a top plan view of the reservoir tray;

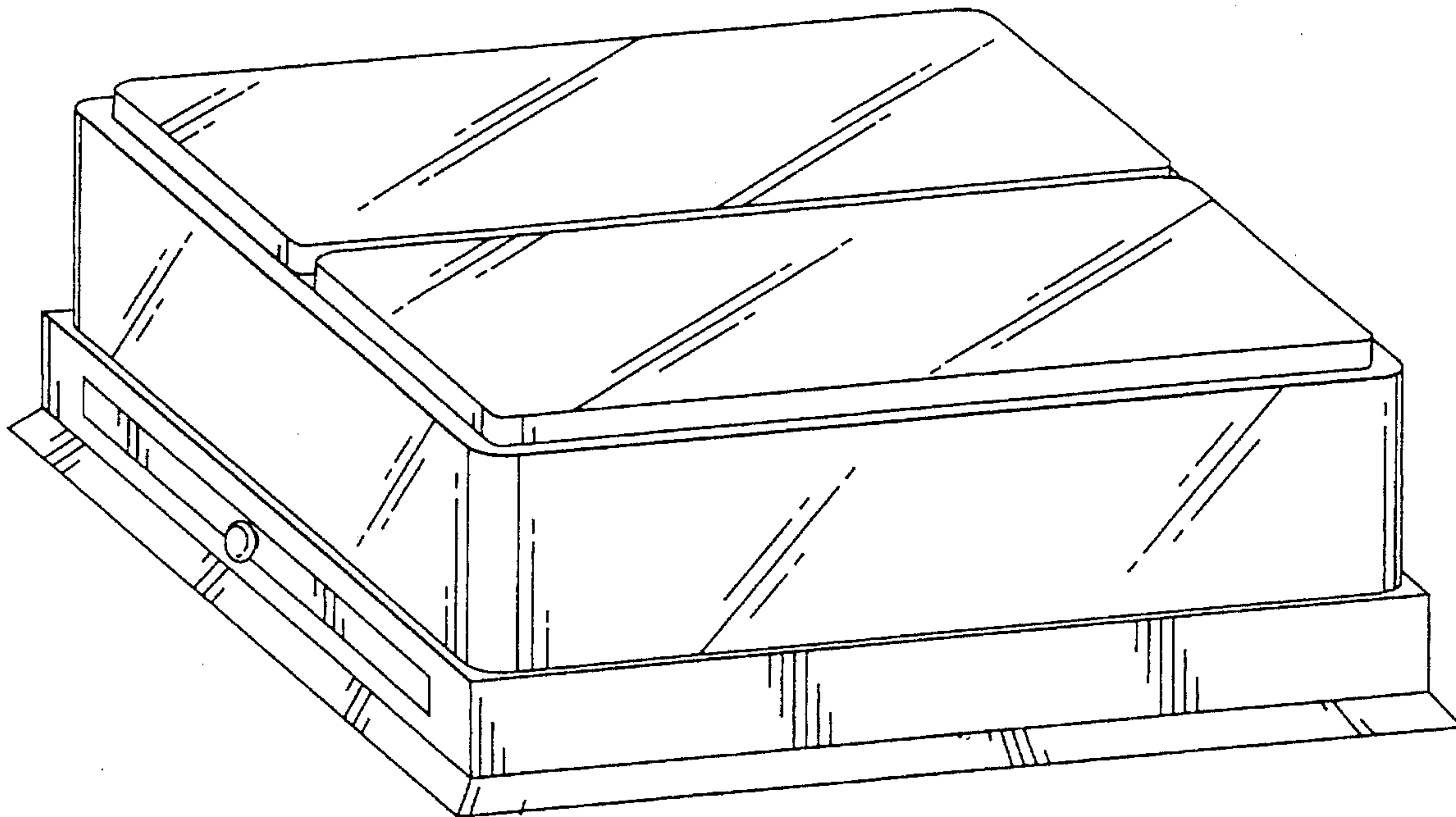
FIG. 6 is a bottom plan view of one cover;

FIG. 7 is a bottom plan view of the base;

FIG. 8 is a bottom plan view of the aerating tray; and,

FIG. 9 is a bottom plan view of the reservoir tray.

**1 Claim, 5 Drawing Sheets**



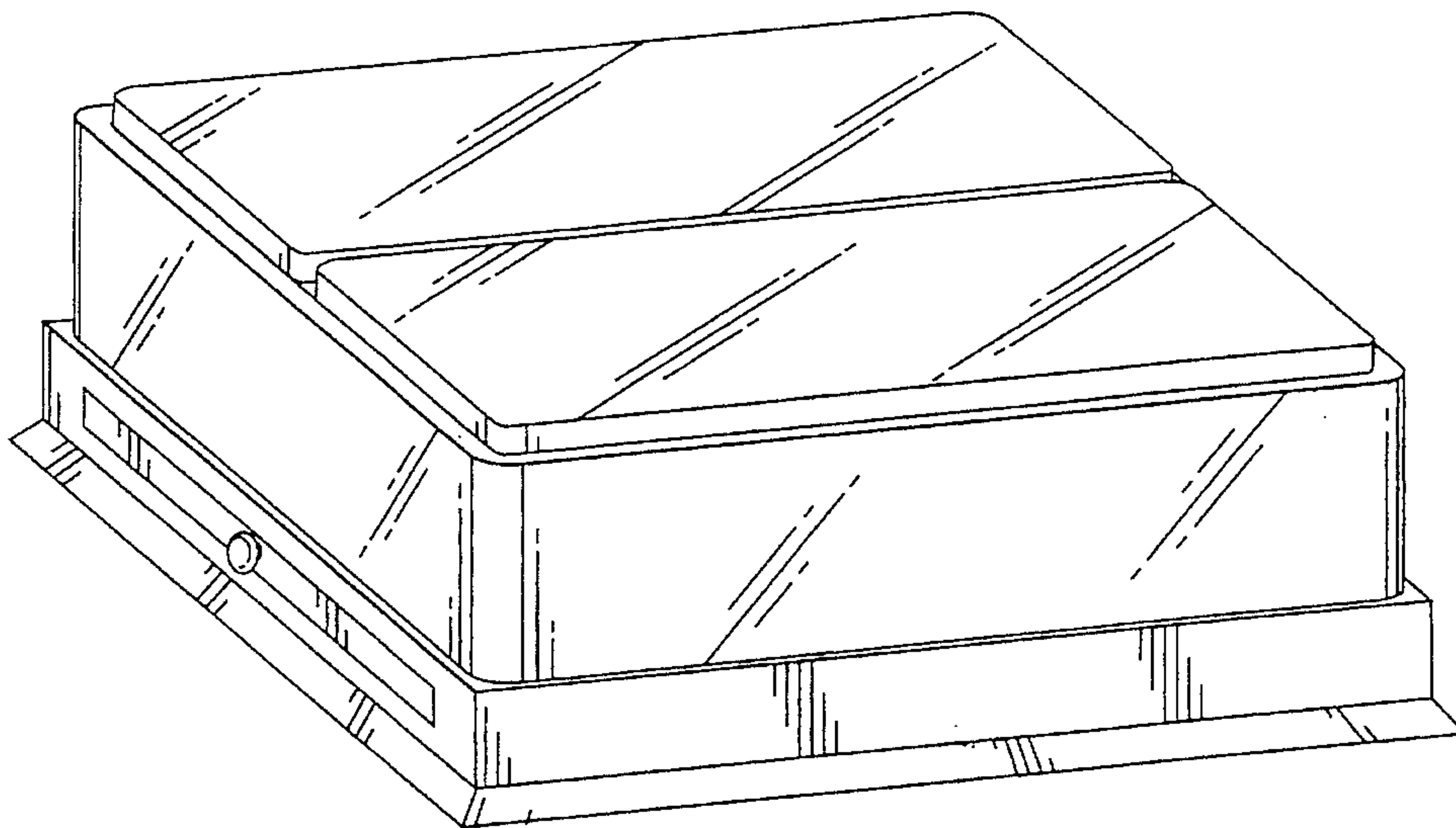


Fig. 1

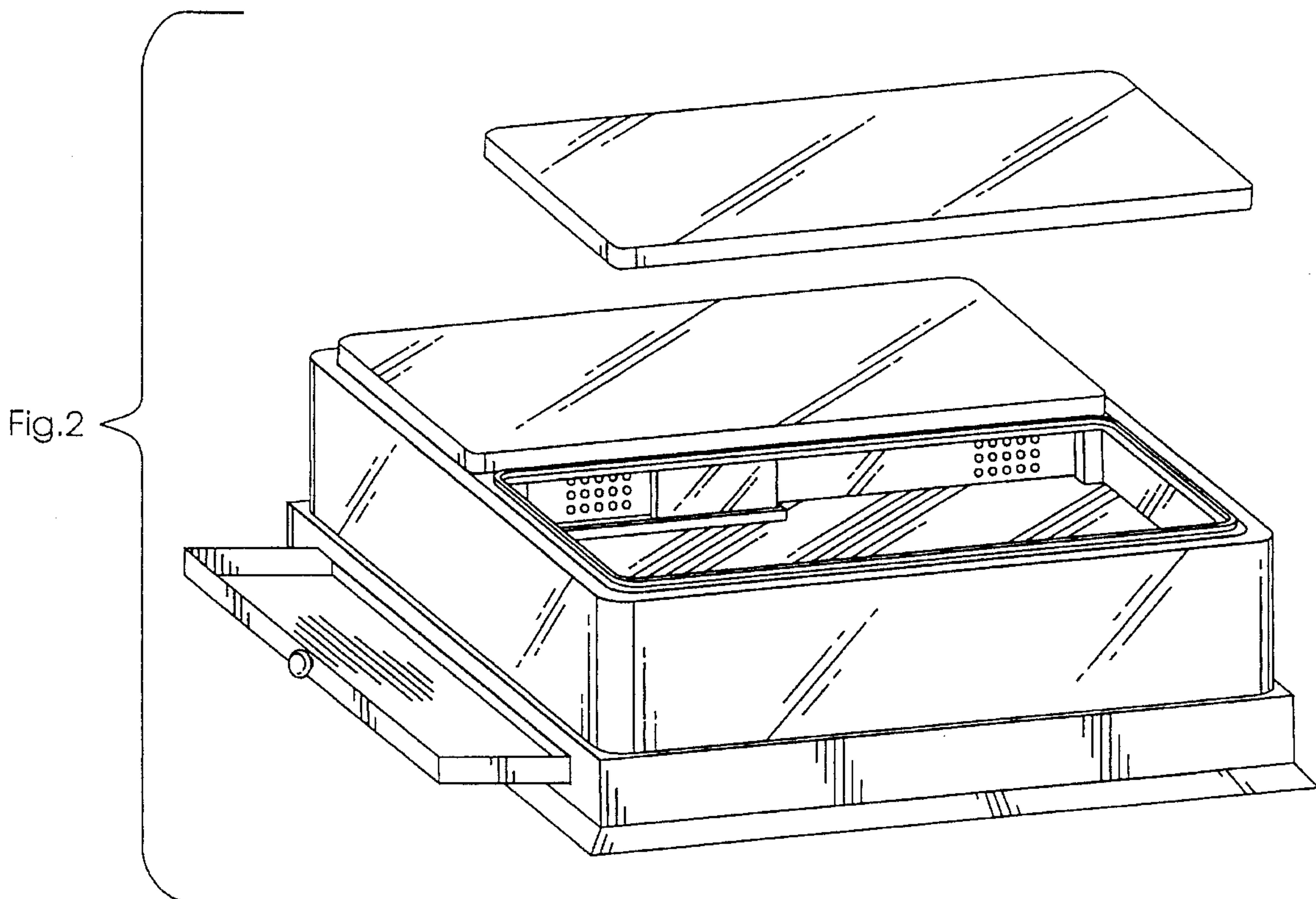
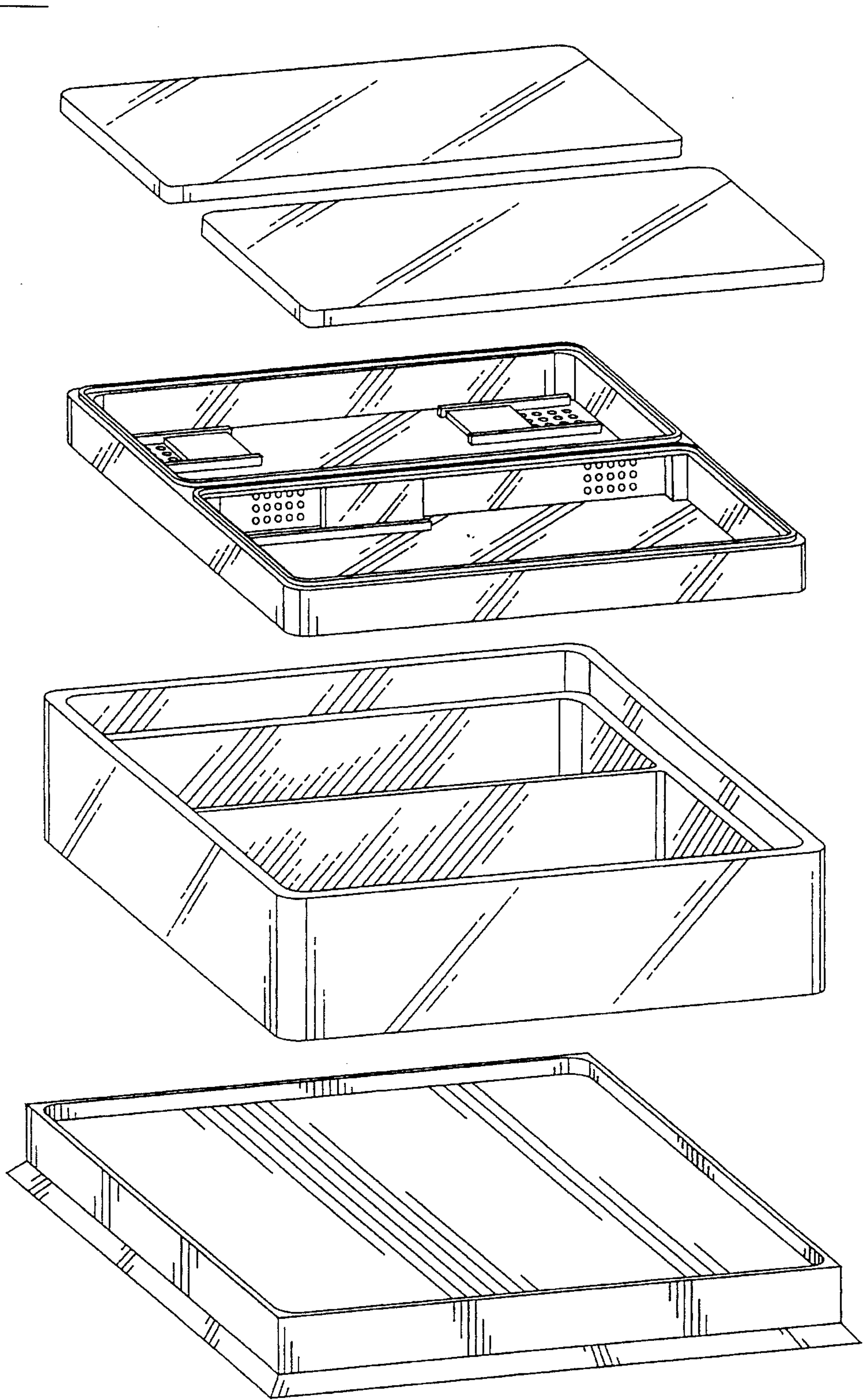


Fig. 2

Fig.3





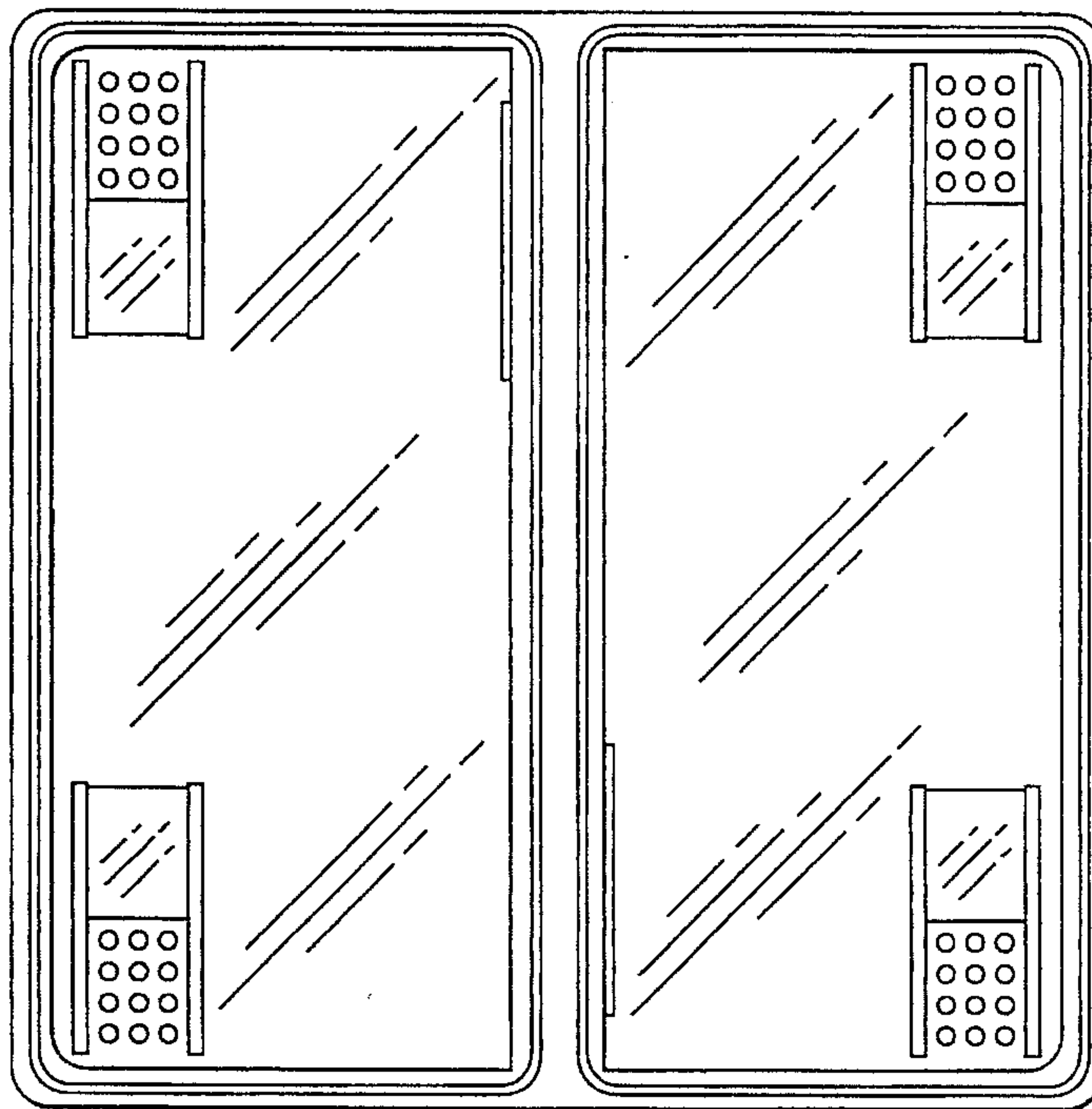


Fig.4

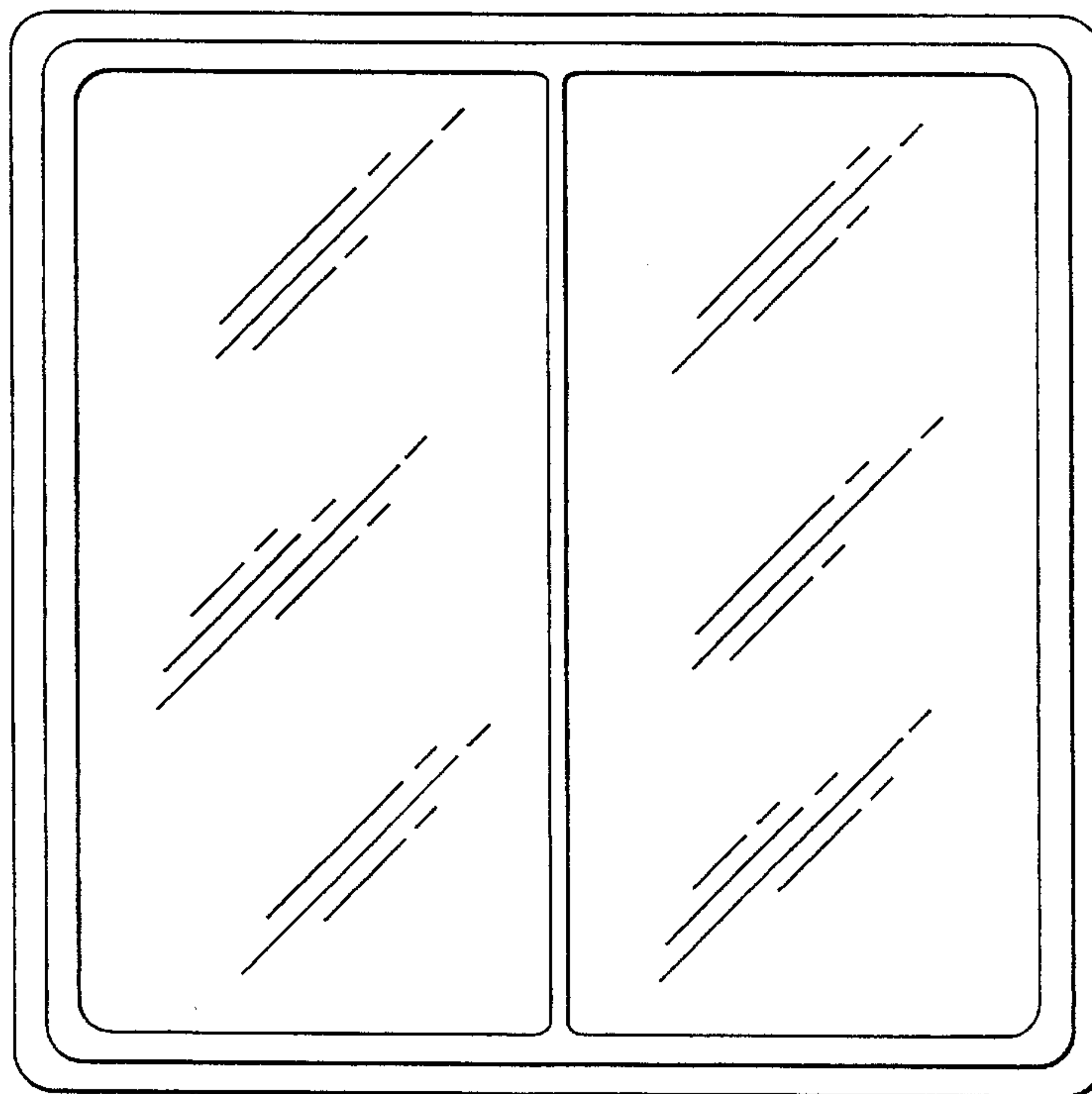


Fig.5

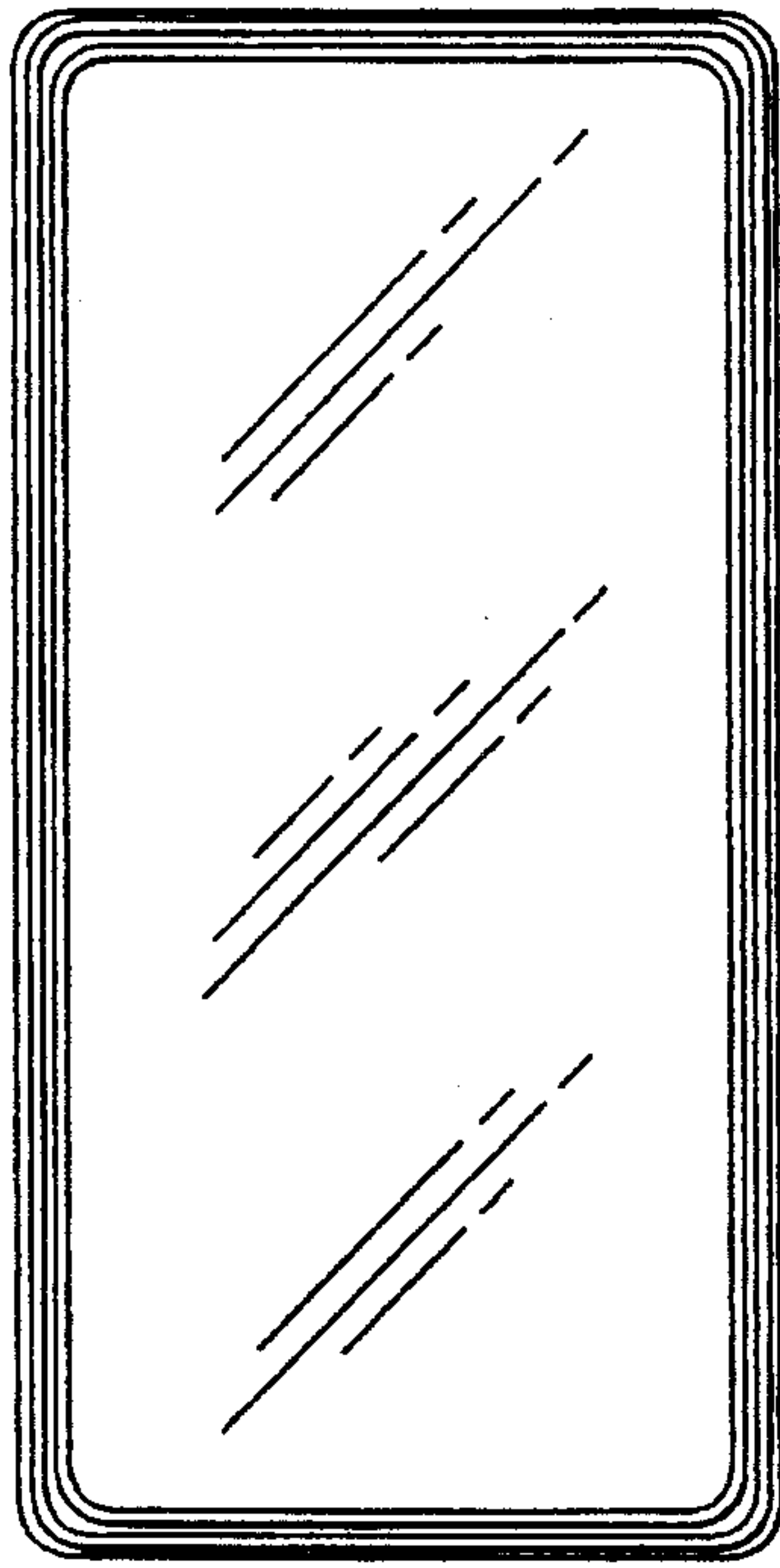


Fig.6

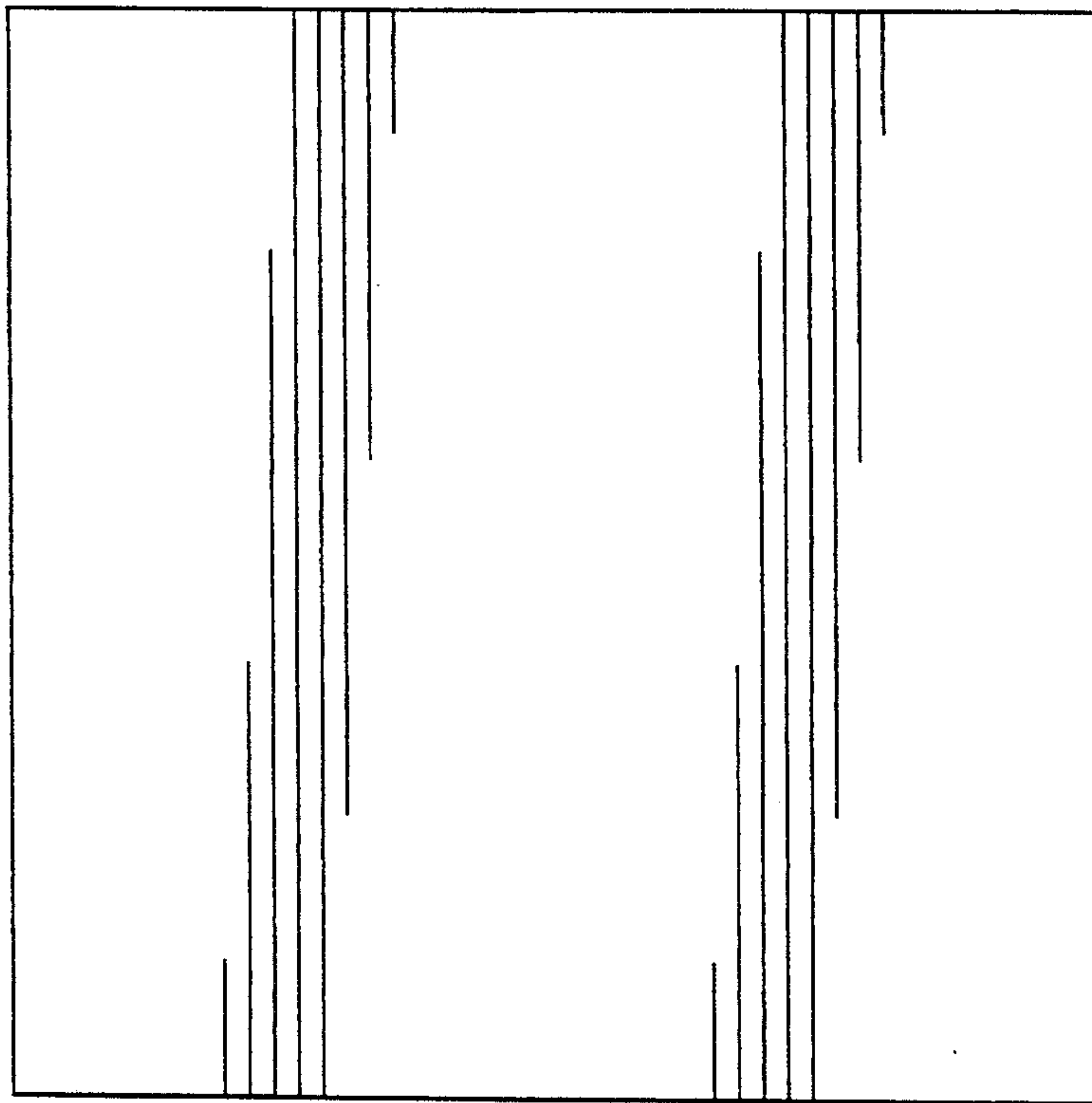


Fig.7

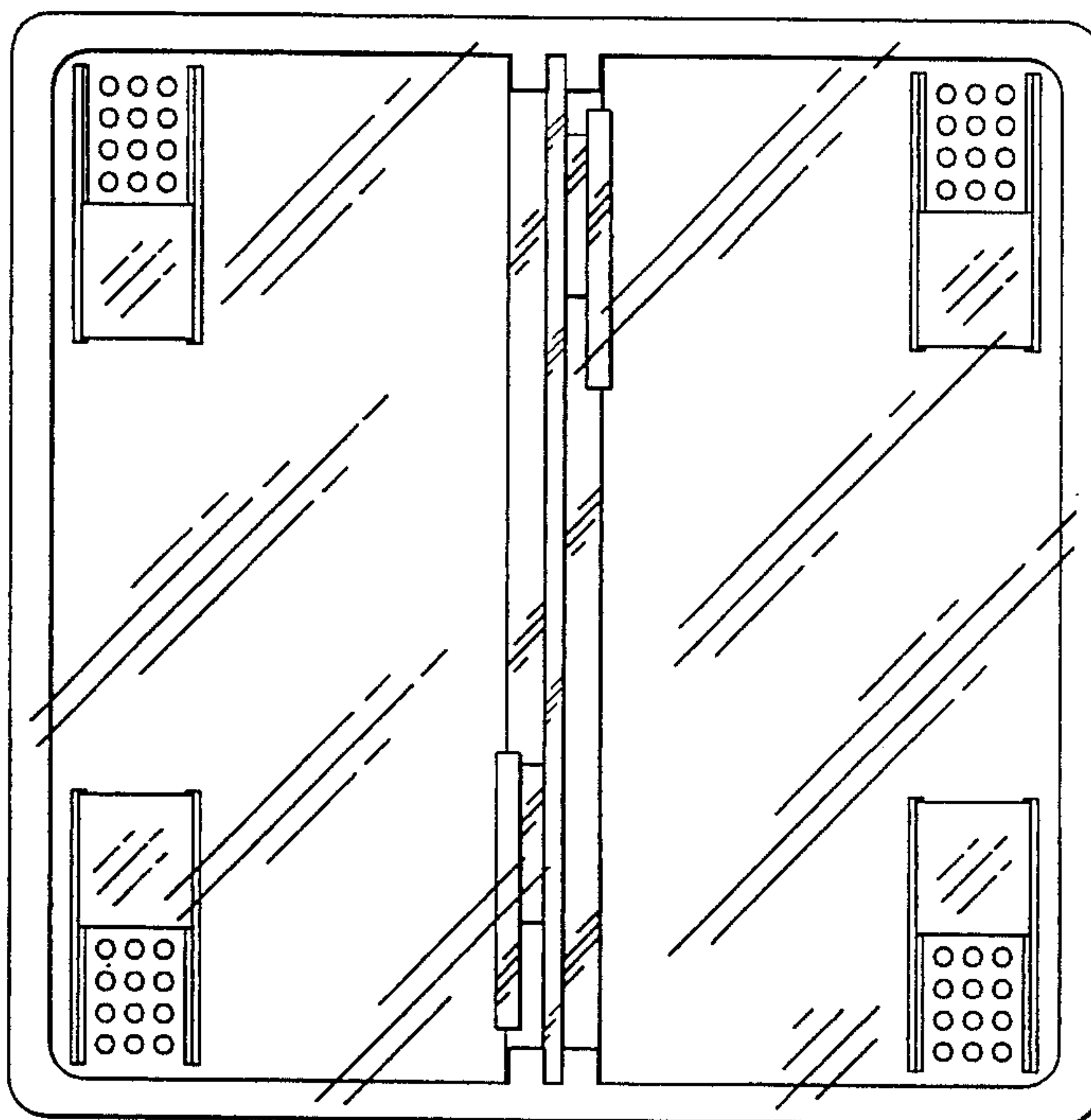


Fig.8

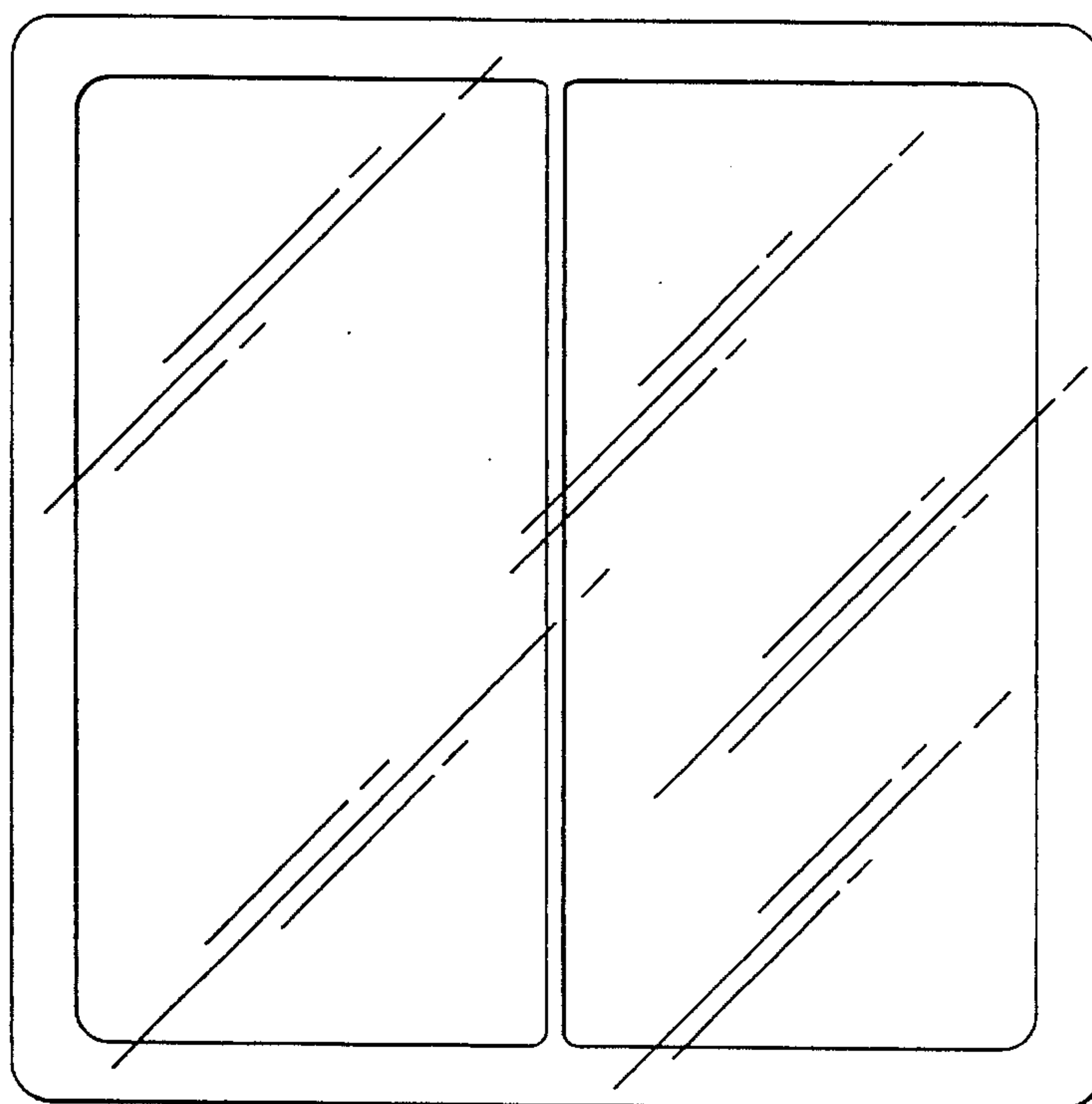


Fig.9