



US00D374941S

United States Patent [19]

Venegas, Jr.

[11] Patent Number: Des. 374,941

[45] Date of Patent: **Oct. 22, 1996

[54] **COMBINED STANCHION WITH SLEEVE AND SIGNAGE**

5,093,209 3/1992 Kroisenbrunner 228/126

OTHER PUBLICATIONS

[76] Inventor: **Frank Venegas, Jr.**, 10800 Hamburg Rd. - P.O. Box 310, Hamburg, Mich. 48139-0310

D. E. Makepeace Company Fabricated Parts & Assemblies Catalog, p. 2, 1st round tubing & cover from left of page, 2nd section from bottom.

[**] Term: **14 Years**

D. E. Makepeace Company Fabricated Parts & Assemblies Catalog, p. 3, round tube cover on upper right side of page.

[21] Appl. No.: **19,652**

Primary Examiner—Doris Clark

[22] Filed: **Mar. 7, 1994**

Attorney, Agent, or Firm—Gifford, Krass, Groh, Sprinkle, Patmore, Anderson & Citkowski, P.C.

Related U.S. Application Data

[57] CLAIM

[63] Continuation-in-part of Ser. No. 38,673, Mar. 26, 1993, Pat. No. 5,392,179.

The ornamental design for a combined stanchion with sleeve and signage, as shown and described.

[52] U.S. Cl. **D25/126**

DESCRIPTION

[58] Field of Search D25/38-43, 126, D25/16; D20/10, 41; 228/126; 256/19-34, 56-65, 43, 47, DIG. 5; 52/71, 27, 27.5, 38, 40

FIG. 1 is a perspective view of the combined stanchion with sleeve and signage according to the invention wherein the broken lines of the illustration in the drawing disclosure is not a part of the design sought to be patented; and,

FIG. 2 is a cross-sectional view taken along line 2—2 of the combined stanchion with sleeve and signage shown in FIG. 1.

[56] References Cited

U.S. PATENT DOCUMENTS

D. 349,164	7/1994	Fox	D25/38
2,913,209	11/1959	Arnold	D20/41
3,193,255	7/1965	Burdett	256/19

1 Claim, 1 Drawing Sheet

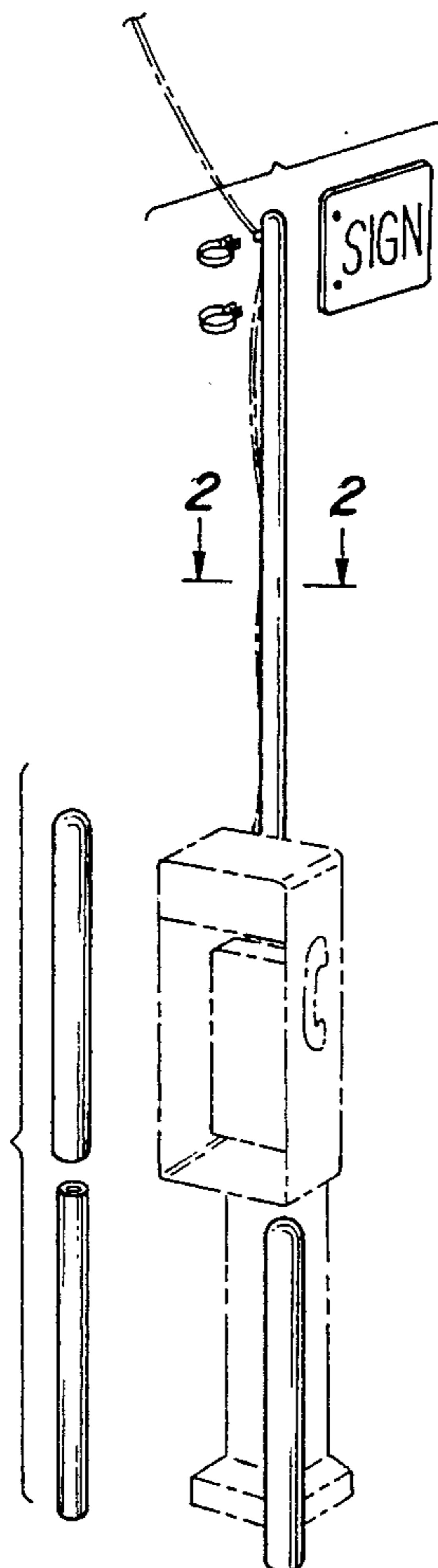




Fig - 2

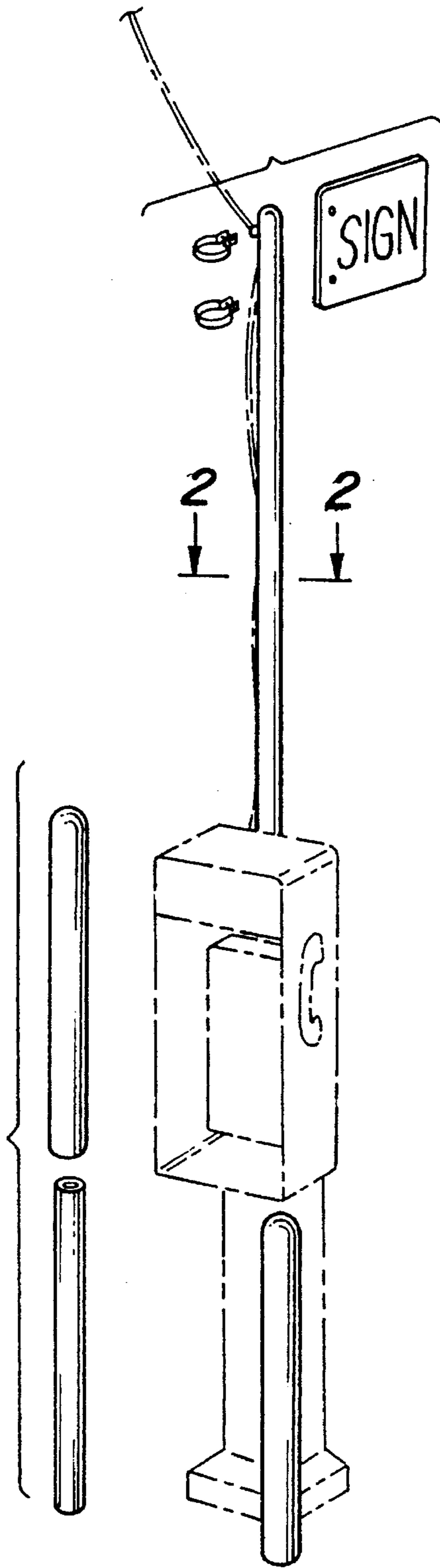


Fig - 1