



US00D374939S

United States Patent [19]
DiGiorgio

[11] **Patent Number: Des. 374,939**

[45] **Date of Patent: **Oct. 22, 1996**

[54] **CASEMENT SASH**

D. 336,343 6/1993 Cole D25/124

[75] **Inventor: Tony DiGiorgio, Woodbridge, Canada**

Primary Examiner—Doris Clark

[73] **Assignee: Dominion Plastics Inc., Woodbridge, Canada**

[57] **CLAIM**

[**] **Term: 14 Years**

The ornamental design for a casement sash, as shown and described.

[21] **Appl. No.: 45,403**

DESCRIPTION

[22] **Filed: Oct. 18, 1995**

[52] **U.S. Cl. D25/124**

FIG. 1 is a perspective view from one side of the casement sash; and,

[58] **Field of Search** D25/52, 60, 124;
52/204.5, 204.55, 204.6, 656.6; 49/DIG. 2,
504

FIG. 2 is a perspective view from the other side of the casement sash.

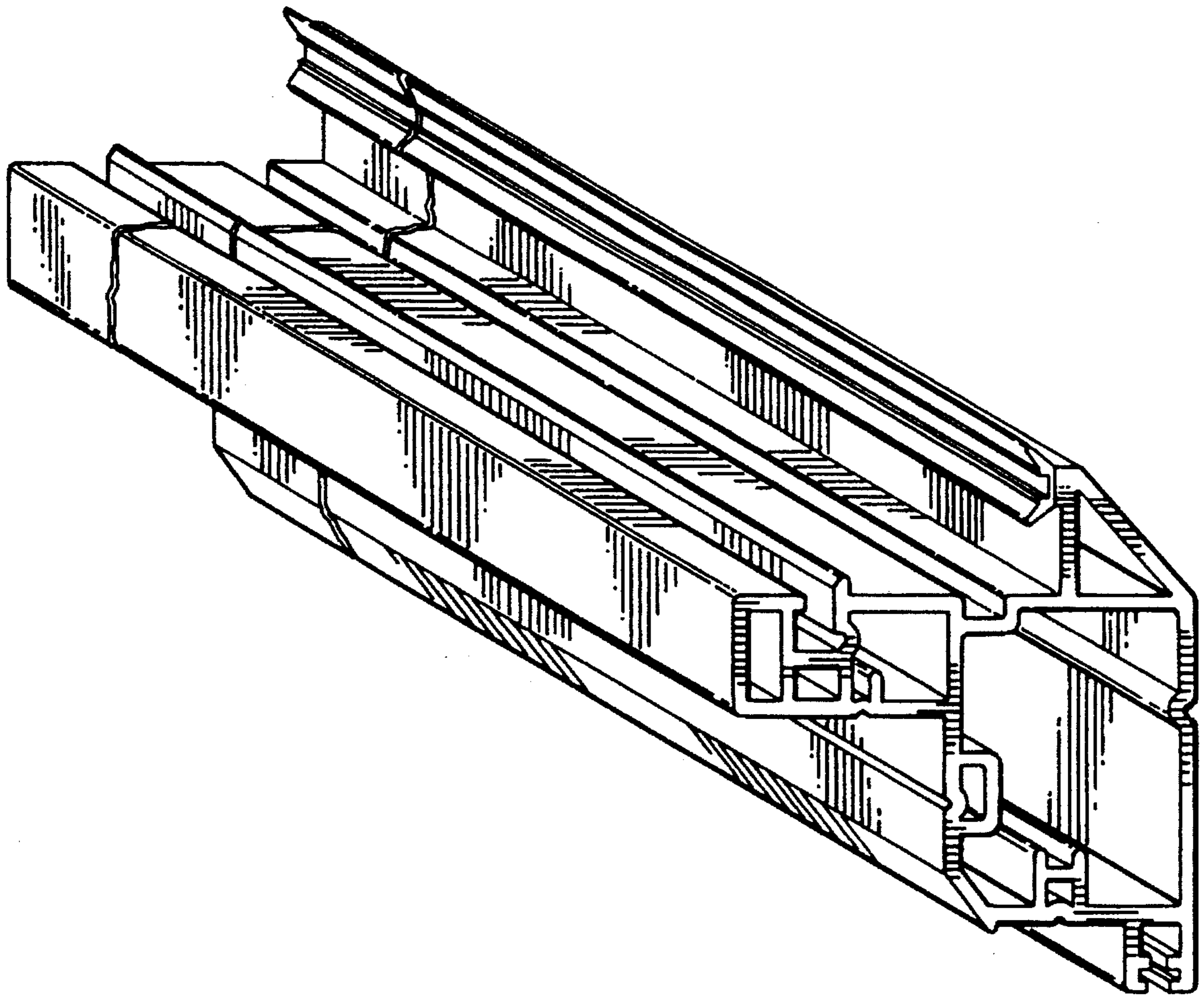
The casement sash is broken away on the end to indicate indeterminate length.

[56] **References Cited**

U.S. PATENT DOCUMENTS

D. 334,819 4/1993 Cole D25/124

1 Claim, 1 Drawing Sheet



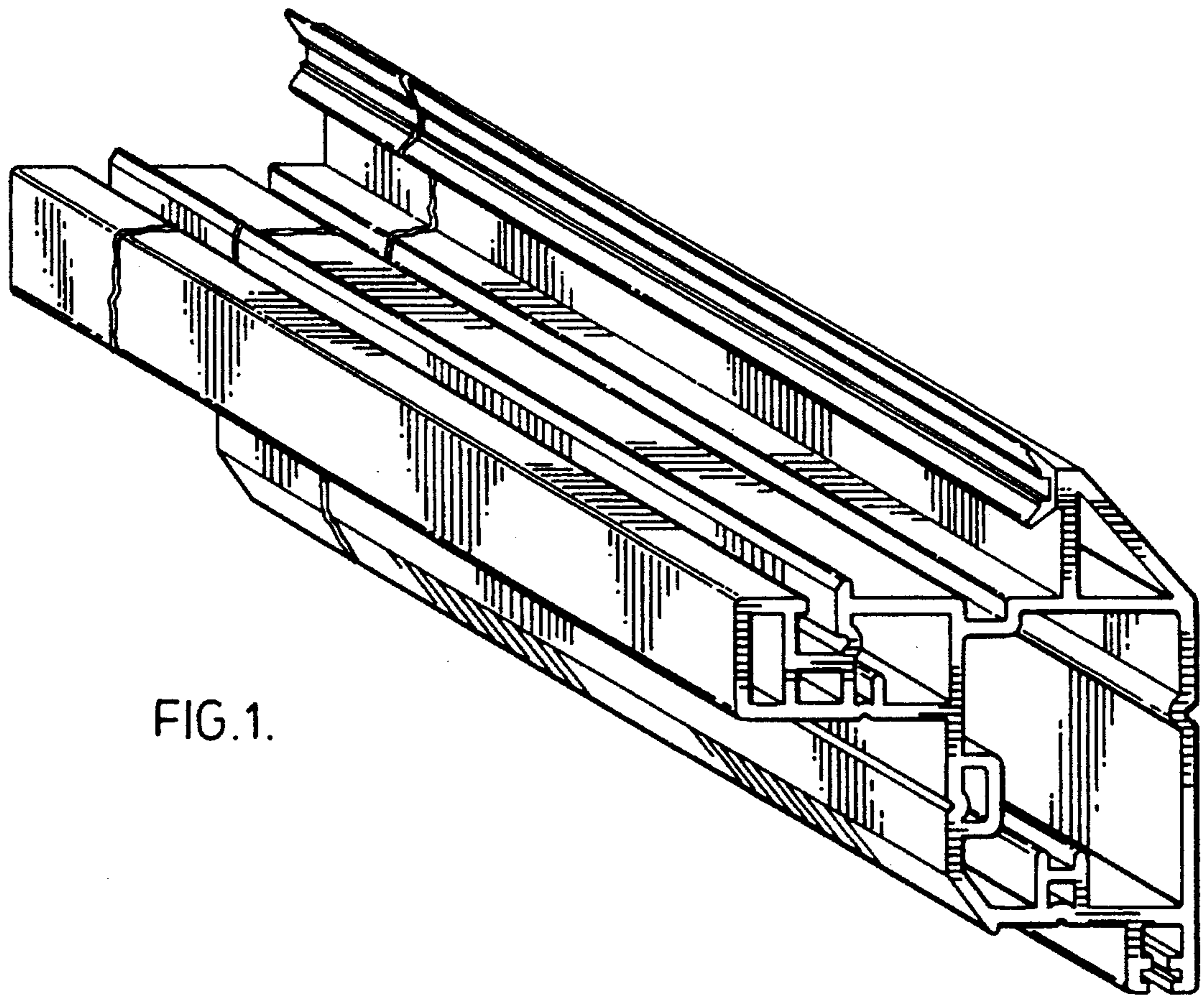


FIG. 1.

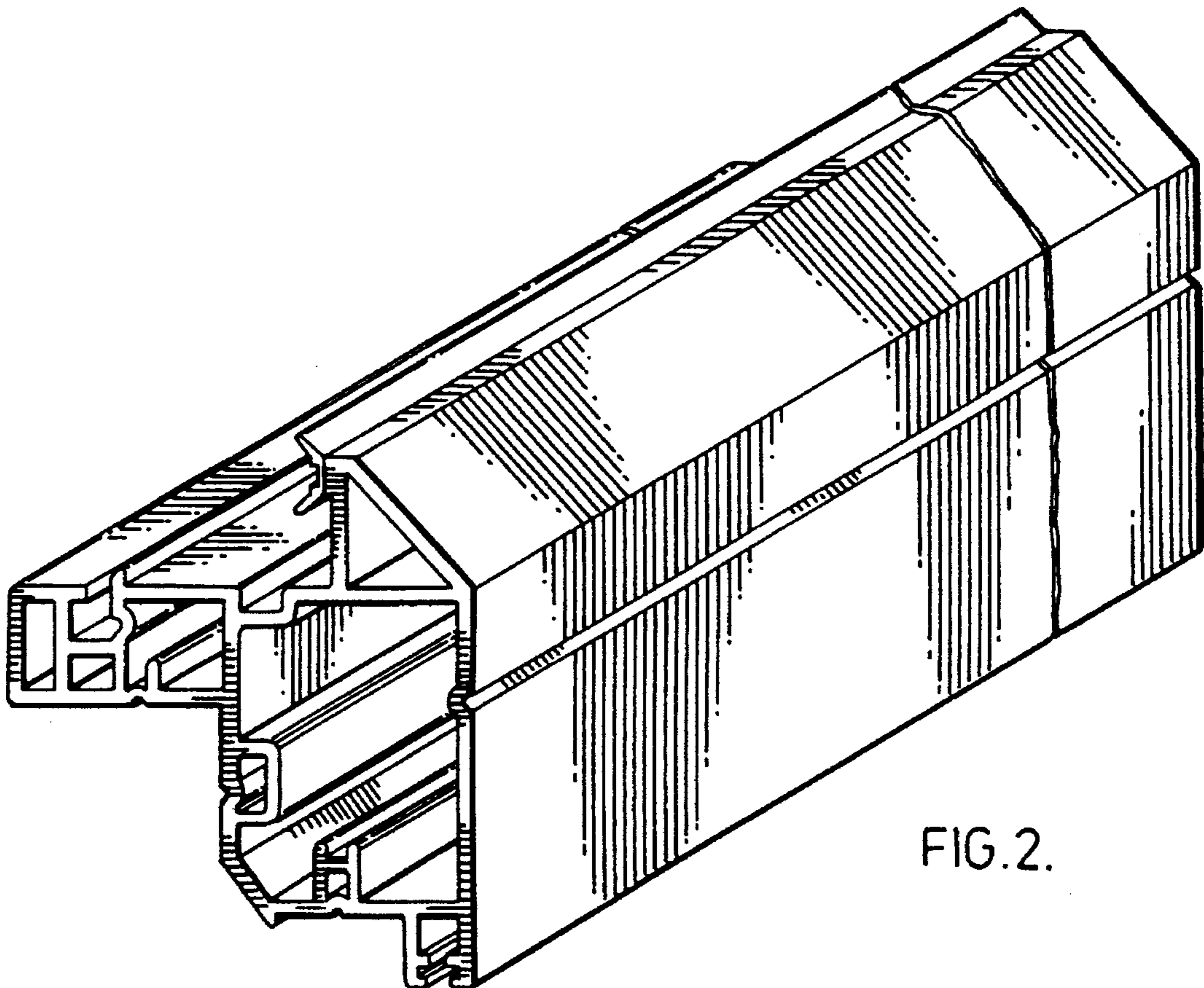


FIG. 2.