



US00D374938S

United States Patent [19]
DiGiorgio

[11] **Patent Number: Des. 374,938**
[45] **Date of Patent: **Oct. 22, 1996**

[54] **CASEMENT SASH**

D. 336,343 6/1993 Cole D25/124

[75] Inventor: **Tony DiGiorgio**, Woodbridge, Canada

Primary Examiner—Doris Clark

[73] Assignee: **Dominion Plastics Inc.**, Woodbridge, Canada

[57] **CLAIM**

[**] Term: **14 Years**

The ornamental design for a casement sash, as shown.

[21] Appl. No.: **45,263**

[22] Filed: **Oct. 16, 1995**

[52] U.S. Cl. **D25/124**

[58] **Field of Search** D25/52, 60, 124;
52/204.5, 204.55, 204.6, 656.6; 49/DIG. 2,
504

DESCRIPTION

FIG. 1 is a perspective view from one side of the casement sash; and,

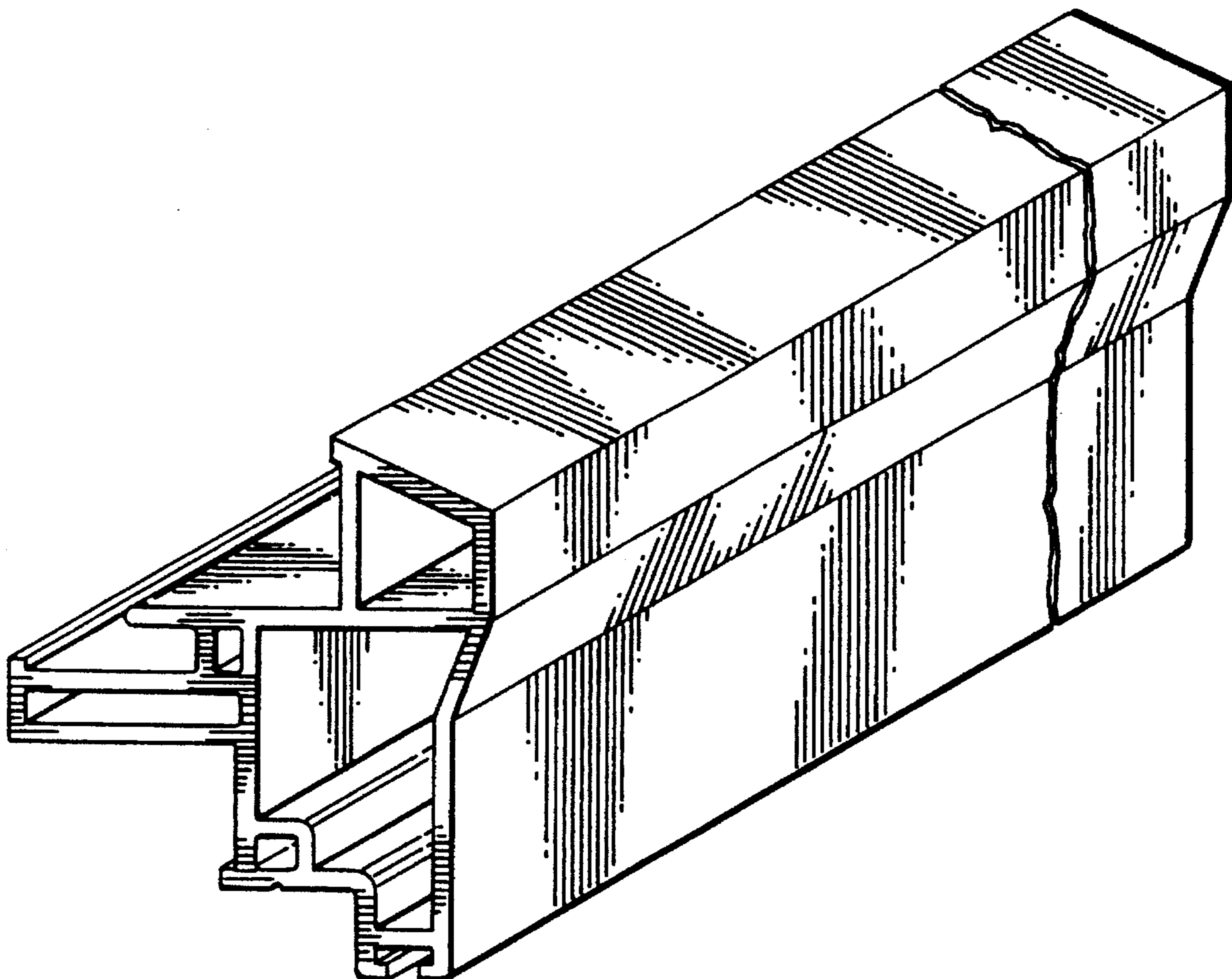
FIG. 2 is a perspective view from the other side of the casement sash.

[56] **References Cited**

U.S. PATENT DOCUMENTS

D. 334,819 4/1983 Cole D25/124

1 Claim, 1 Drawing Sheet



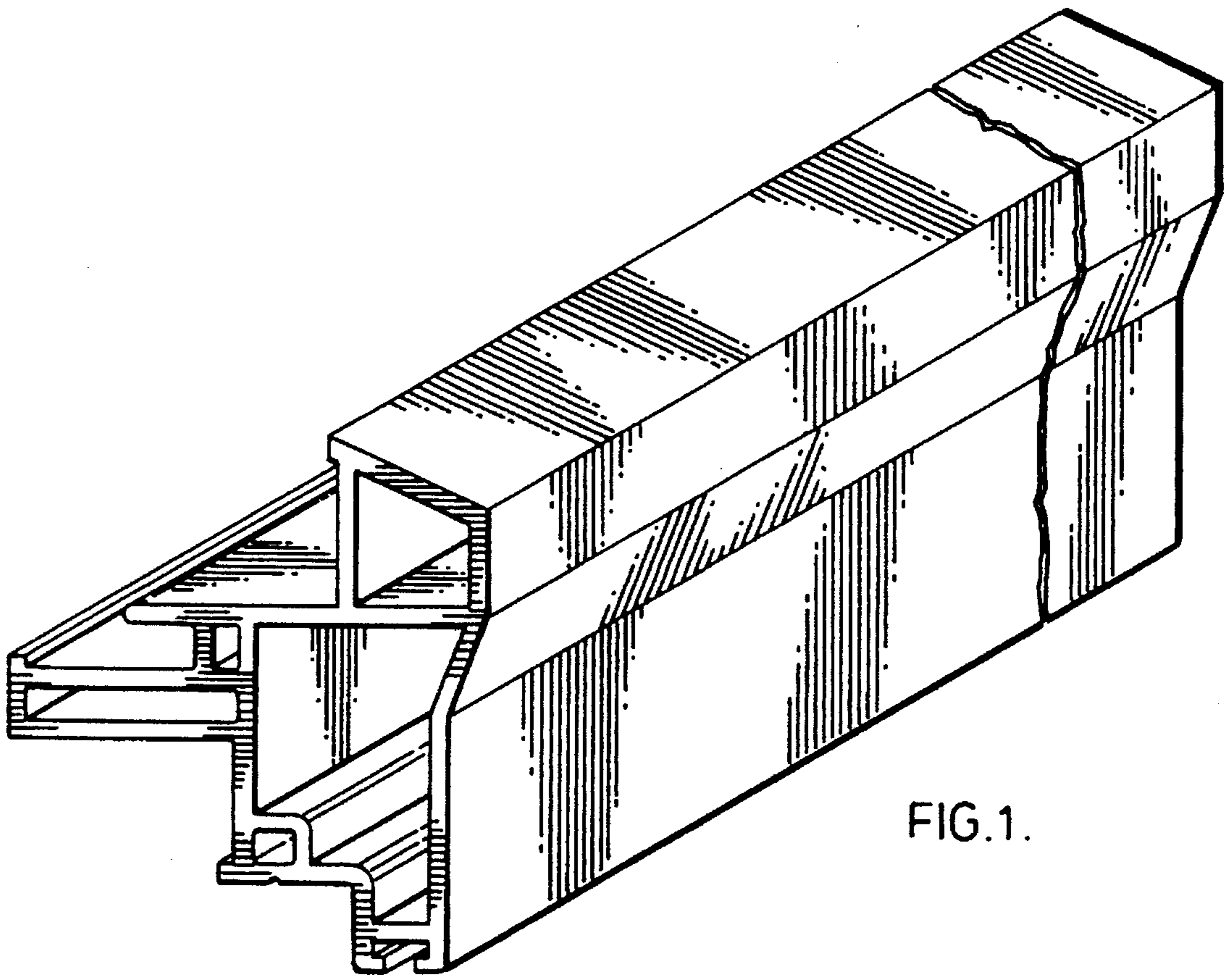


FIG. 1.

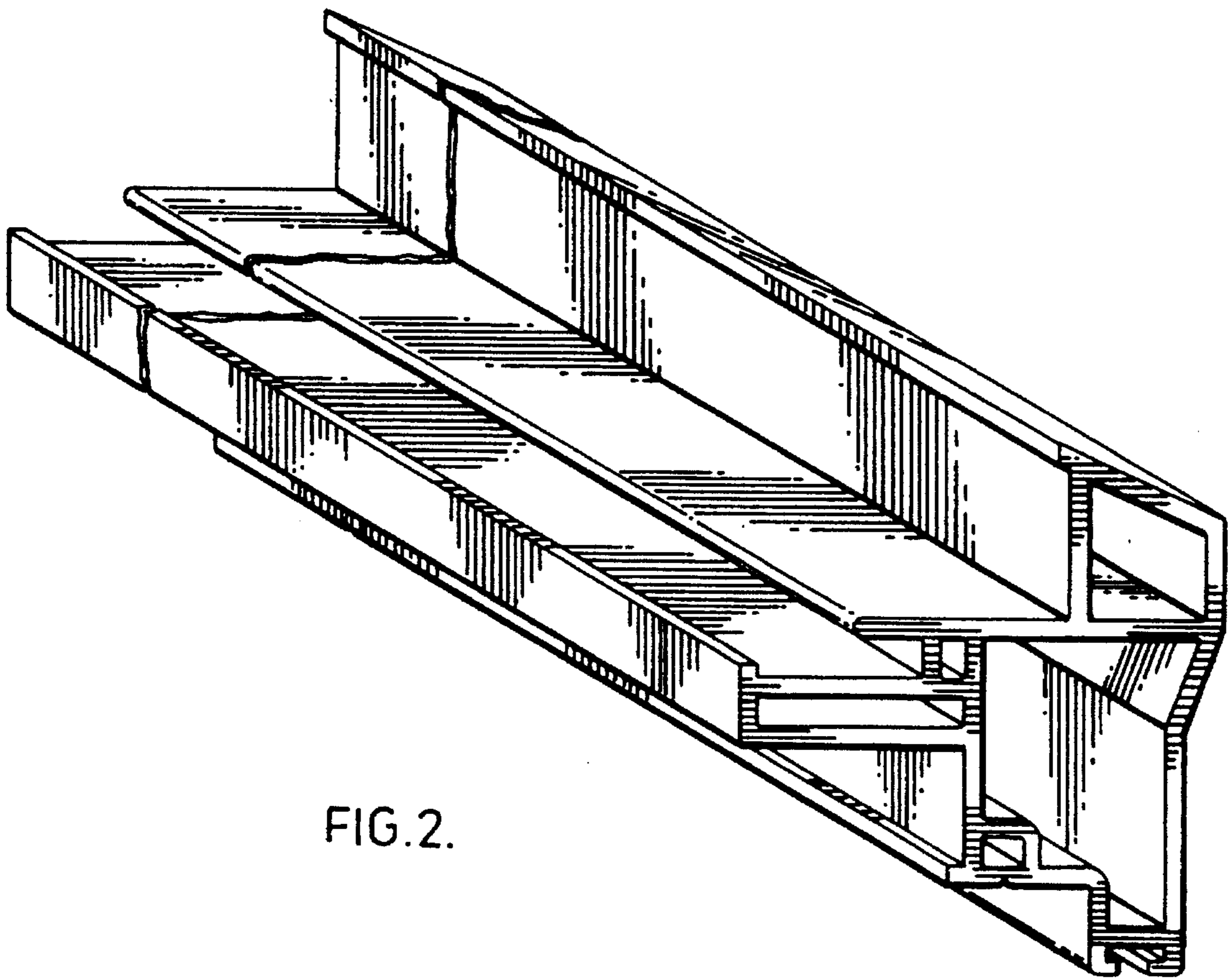


FIG. 2.