



US00D374936S

**United States Patent** [19]  
**Jakab**

[11] **Patent Number: Des. 374,936**  
[45] **Date of Patent: \*\*Oct. 22, 1996**

[54] **PERFORATED SHEET METAL CONTAINER**

[75] Inventor: **Mariana Jakab**, Tuttlingen, Germany

[73] Assignee: **Aesculap AG**, Tuttlingen, Germany

[\*\*] Term: **14 Years**

[21] Appl. No.: **43,380**

[22] Filed: **Aug. 28, 1995**

[30] **Foreign Application Priority Data**

Mar. 8, 1995 [DE] Germany ..... M 95 01 938.3

[52] **U.S. Cl.** ..... **D24/217**

[58] **Field of Search** ..... D24/217, 228;  
422/300, 301, 302; 206/439, 438

[56] **References Cited**

**U.S. PATENT DOCUMENTS**

D. 295,075	4/1988	Jerge et al. ....	D24/217
D. 339,424	9/1993	Riley .....	D24/217
D. 360,697	7/1995	Riihimaki et al. ....	D24/217
4,798,292	1/1985	Hauze .....	422/300 X

*Primary Examiner*—Louis S. Zarfaz  
*Assistant Examiner*—I. Simmons  
*Attorney, Agent, or Firm*—Barry R. Lipsitz

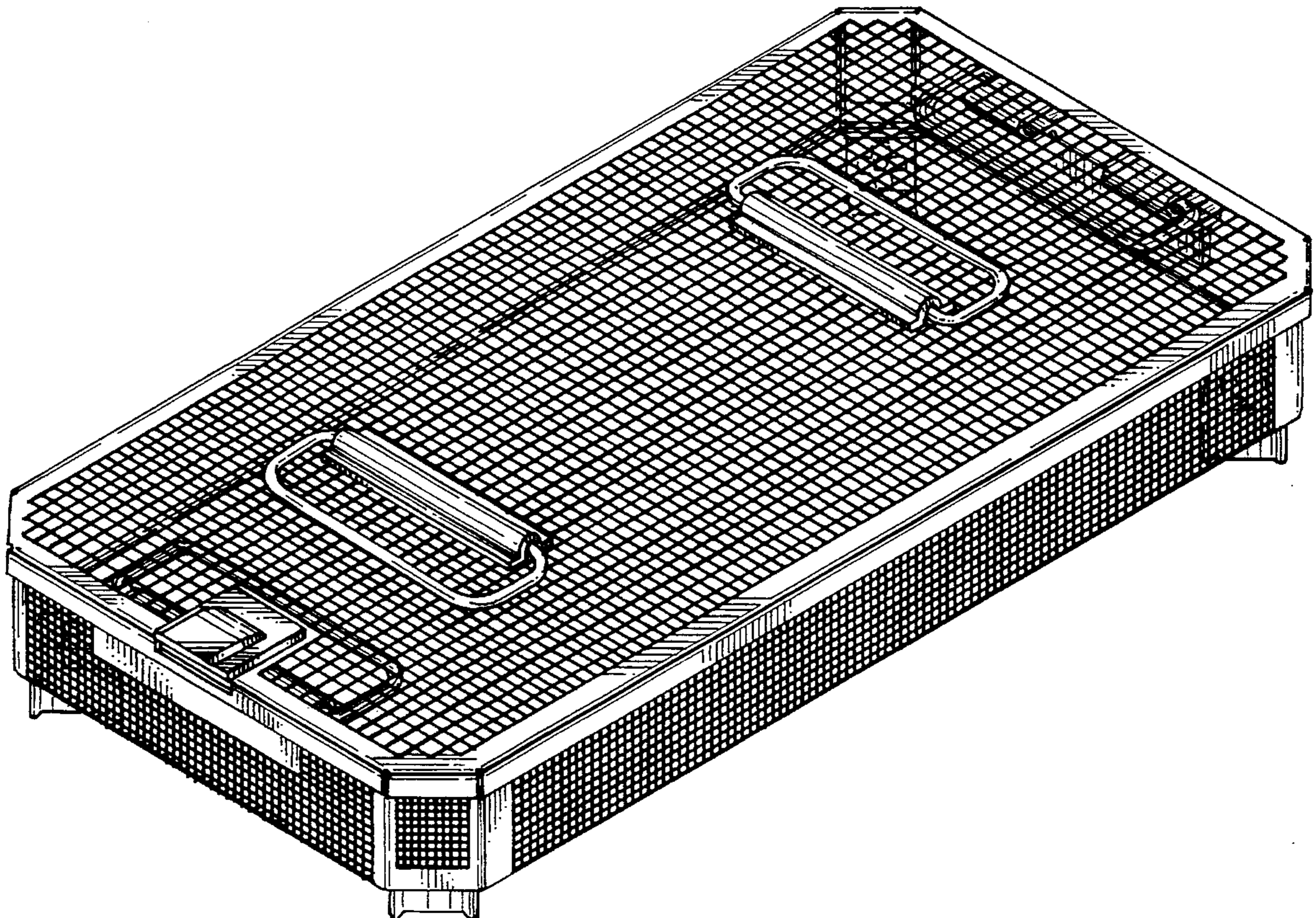
[57] **CLAIM**

The ornamental design for a perforated sheet metal container, as shown and described.

**DESCRIPTION**

FIG. 1 is a top, front and left side perspective view;  
FIG. 2 is a top plan view;  
FIG. 3 is a front elevational view;  
FIG. 4 is a left side elevational view;  
FIG. 5 is a right side elevational view;  
FIG. 6 is a bottom plan view;  
FIG. 7 is a top, front and left side perspective view with the top cover partially broken away to show the inside handle which is visible through the perforations in the top cover; and,  
FIG. 8 is a front elevational view showing the handles of the top cover in a raised position.

**1 Claim, 6 Drawing Sheets**



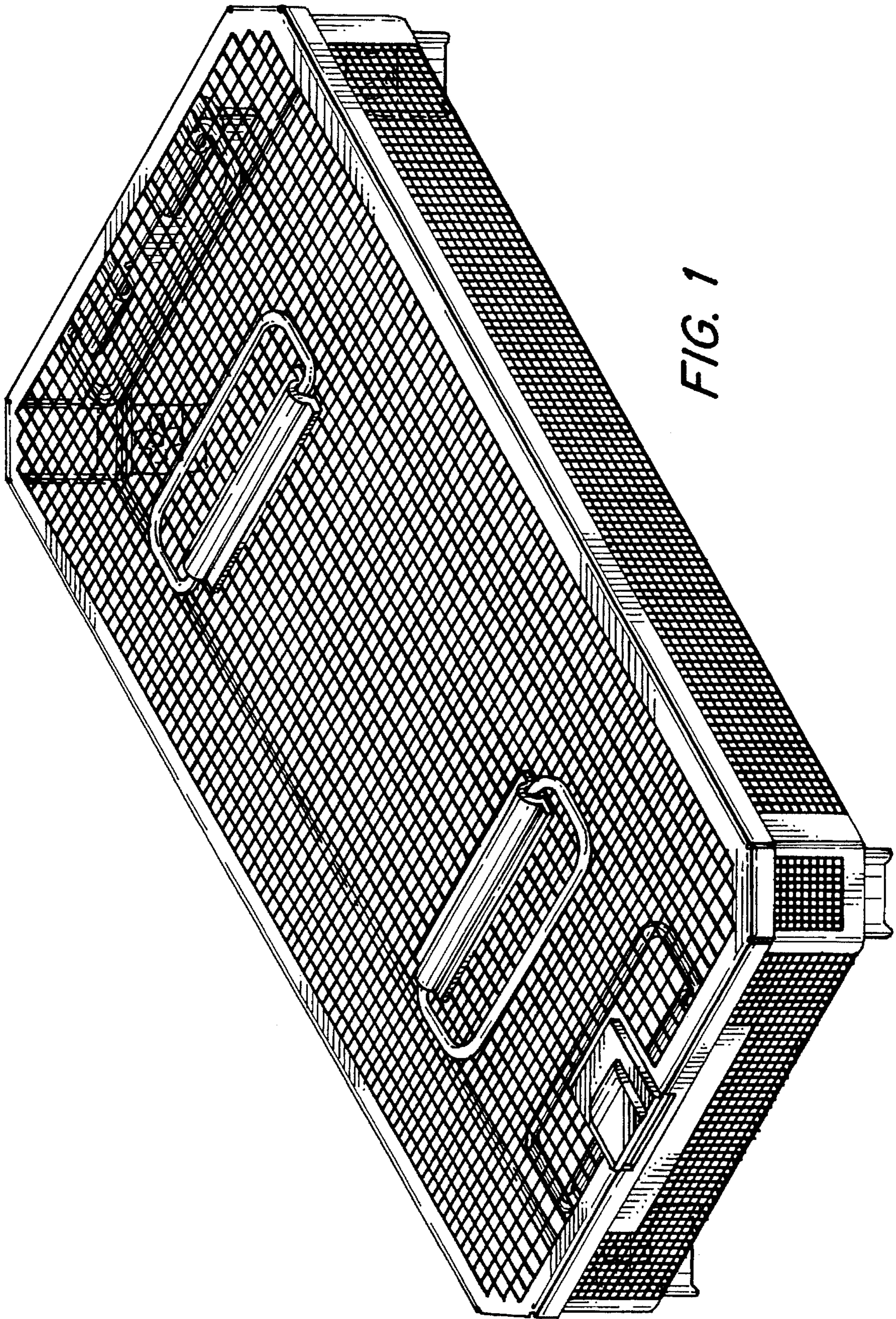


FIG. 1

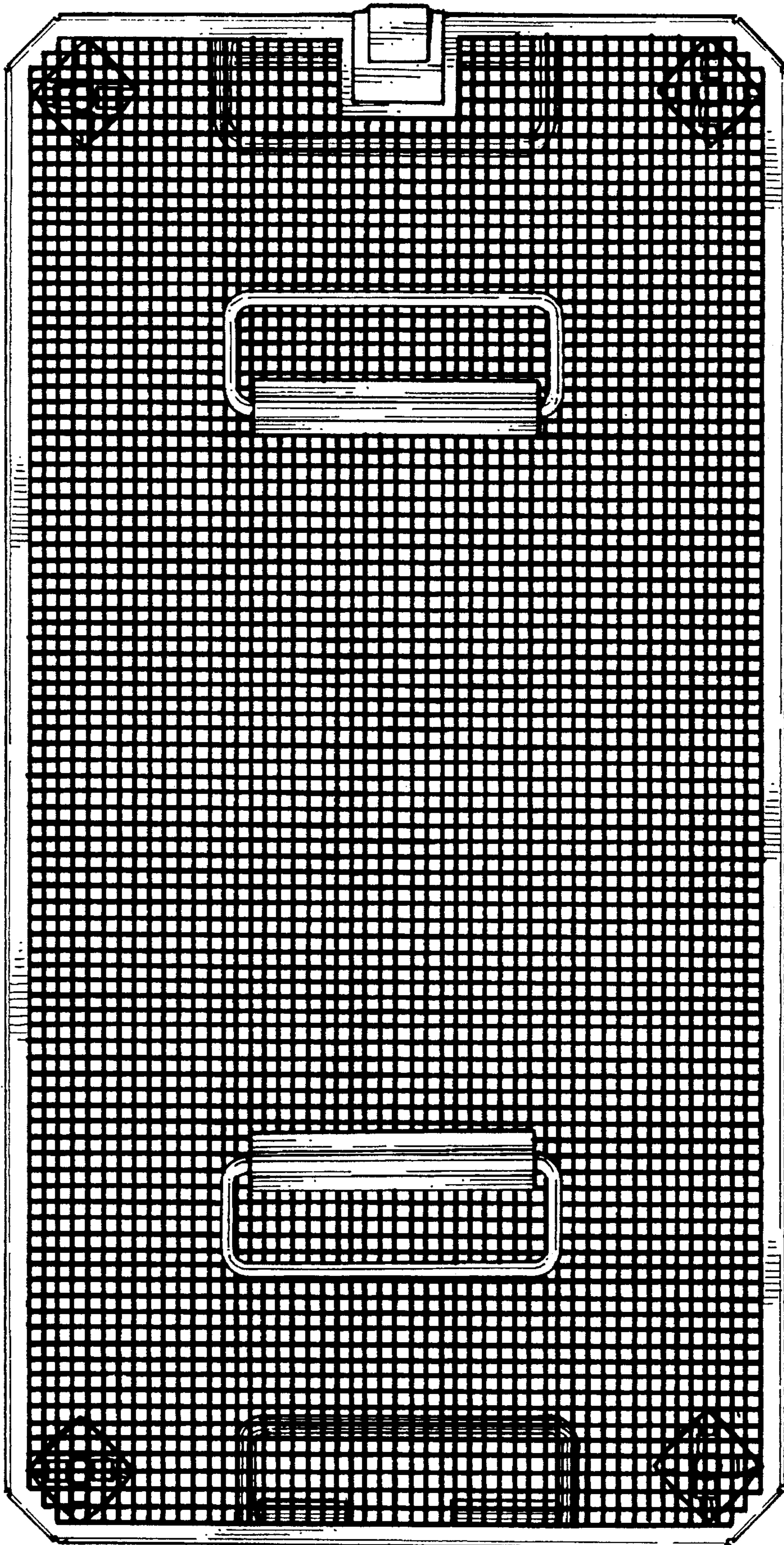


FIG. 2

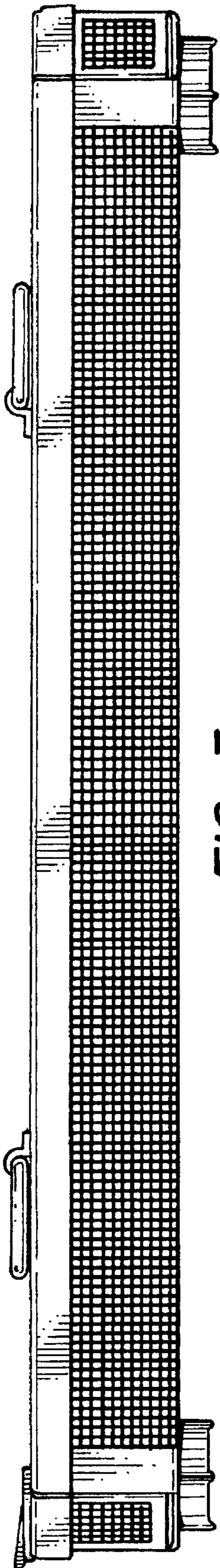


FIG. 3

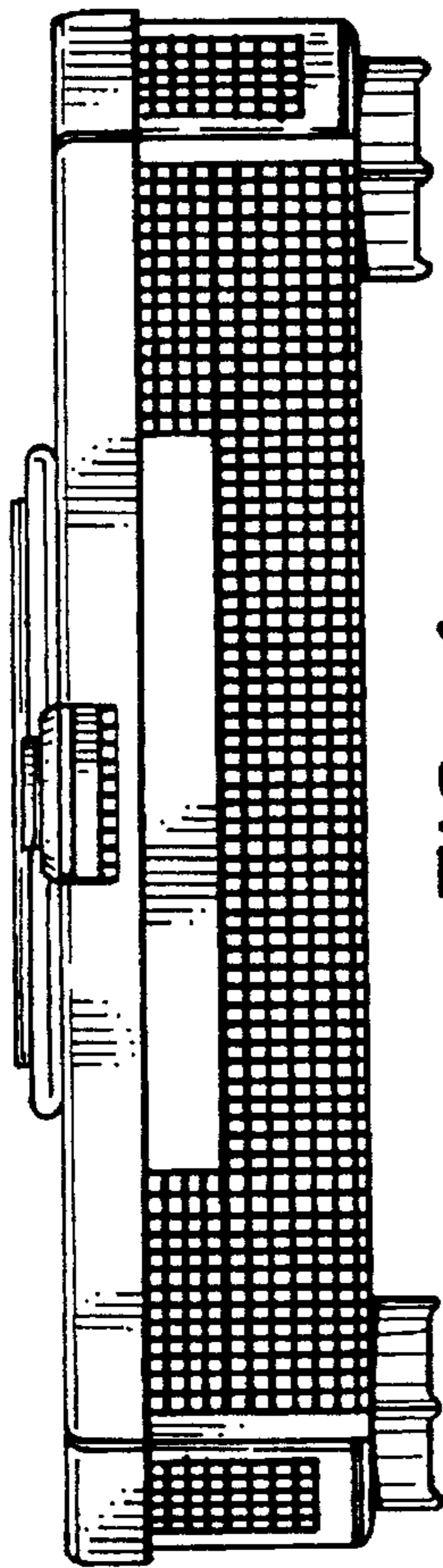


FIG. 4

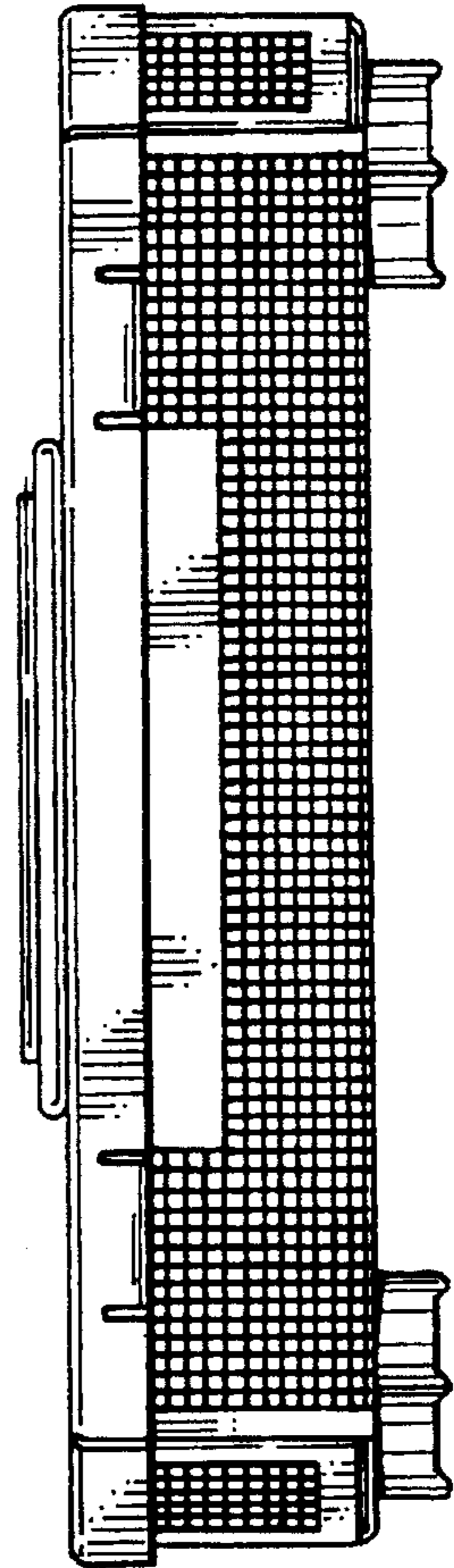


FIG. 5

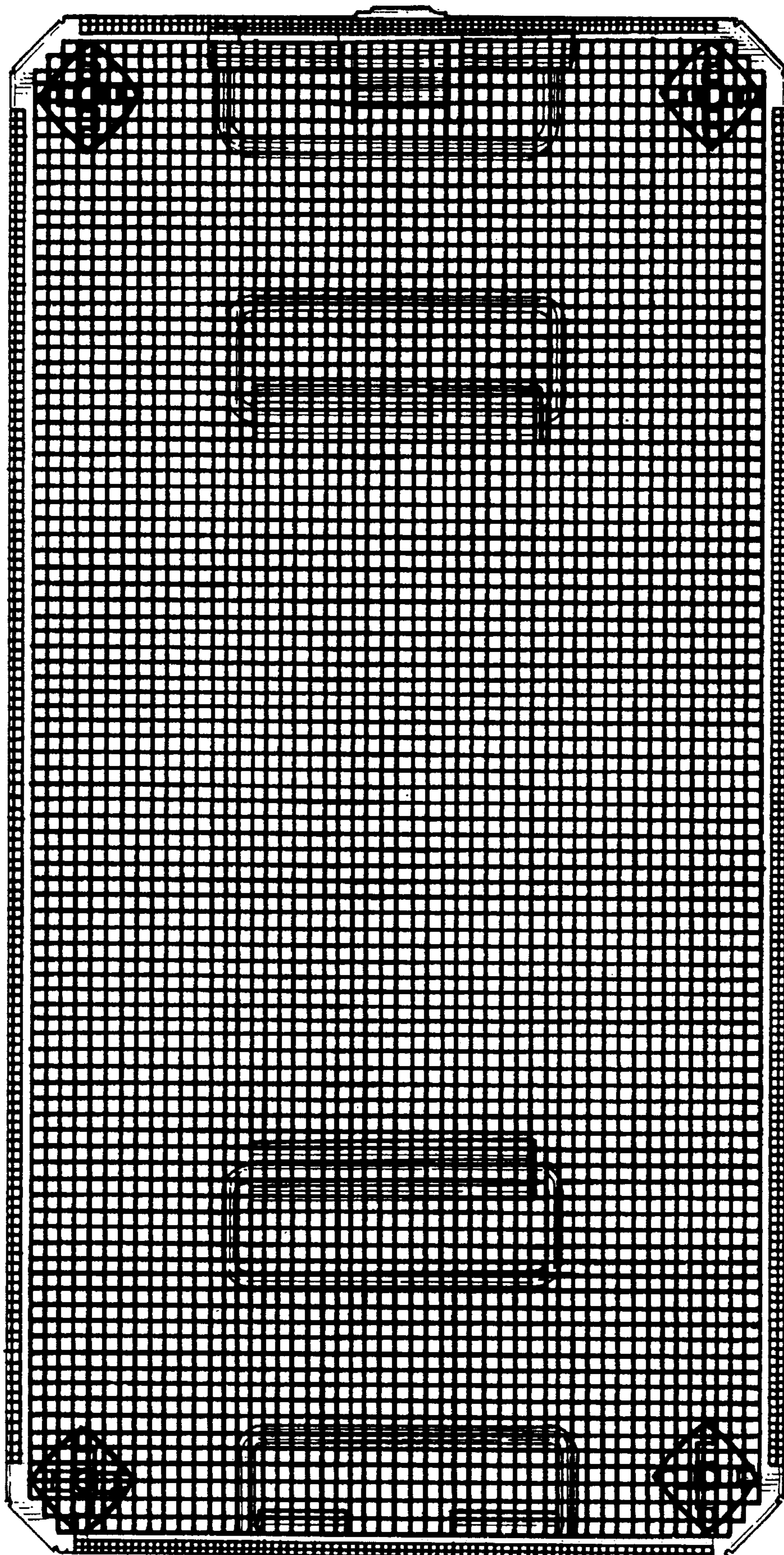


FIG. 6

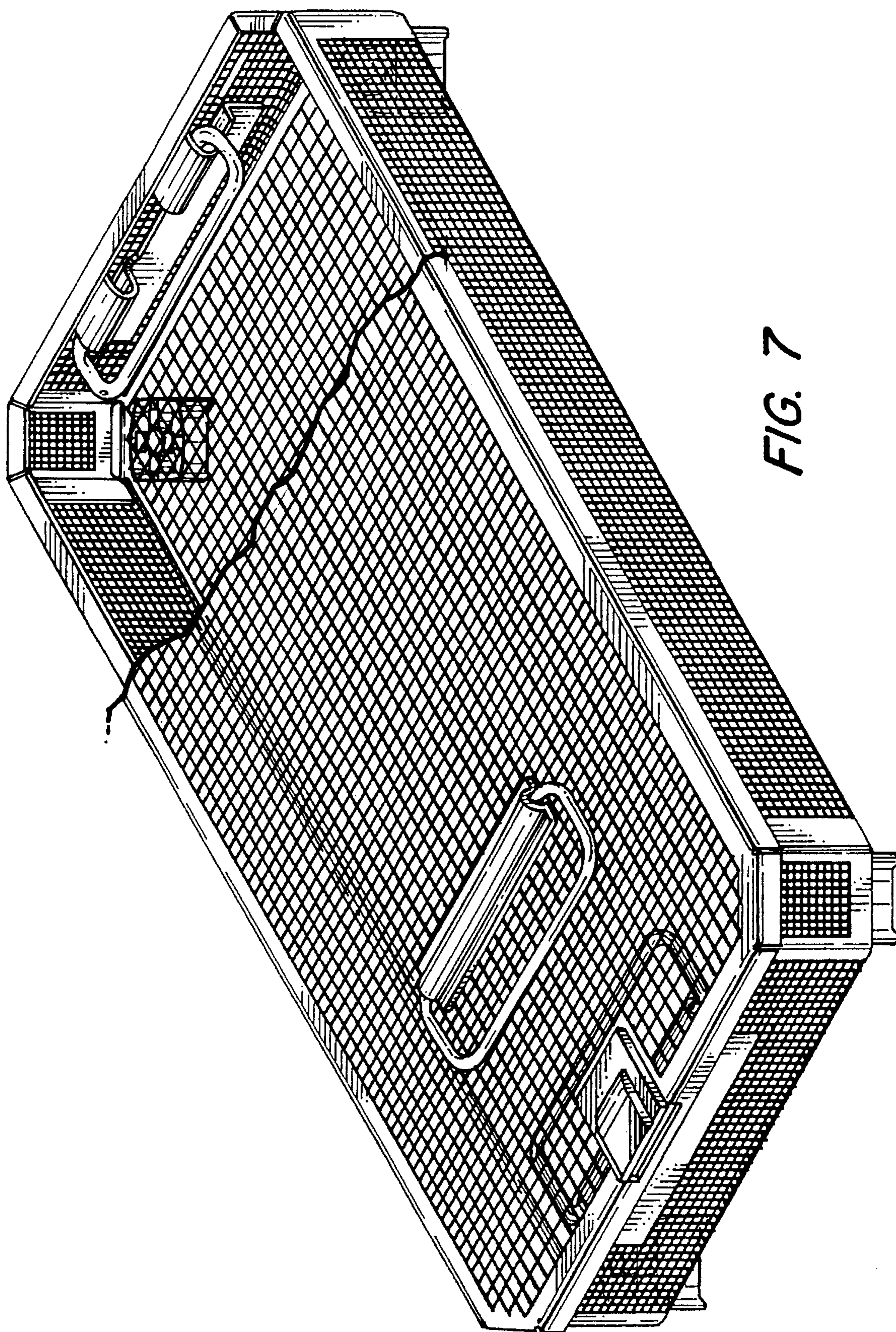


FIG. 7

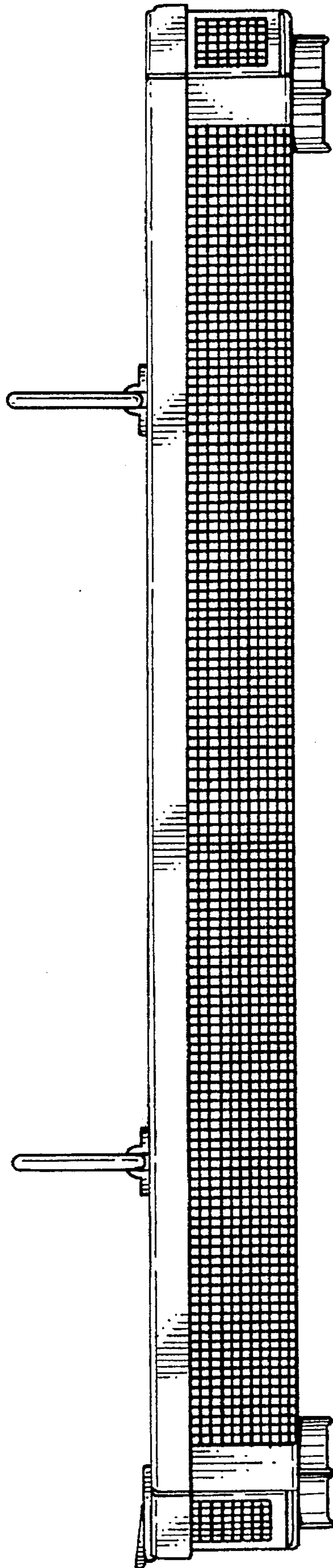


FIG. 8