



US00D374931S

United States Patent [19]

Cesaroni et al.

[11] Patent Number: **Des. 374,931**

[45] Date of Patent: ****Oct. 22, 1996**

[54] **CONTROLLER FOR SYSTEM FOR APPLYING COMPRESSIVE PRESSURE TO THE LEG**

D. 367,115 2/1996 Barber et al. D24/169

FOREIGN PATENT DOCUMENTS

9300875 1/1993 WIPO 601/152

[75] Inventors: **William C. Cesaroni**, Glenview;
Shawn O. Barrett, Grayslake; **Jason J. Alvarez**, Chicago, all of Ill.

Primary Examiner—B. J. Bullock
Assistant Examiner—Linda Brooks
Attorney, Agent, or Firm—David J. Koris, Esq.

[73] Assignee: **The Kendall Company**, Mansfield, Mass.

[57] CLAIM

[**] Term: **14 Years**

The ornamental design for a controller for system for applying compressive pressure to the leg, as shown and described.

[21] Appl. No.: **31,156**

DESCRIPTION

[22] Filed: **Nov. 18, 1994**

[52] U.S. Cl. **D24/169**; D24/111

[58] Field of Search D24/111, 129,
D24/167, 169; 601/150, 151, 152, 33-35,
148-152; D15/7-9

FIG. 1 is a front perspective view, showing the new design for the controller;

FIG. 2 is an elevational view of the left side thereof;
FIG. 3 is an elevational view of the right side thereof;

FIG. 4 is a front elevational view thereof;

FIG. 5 is a rear elevational view thereof;

FIG. 6 is a top plan view thereof; and,

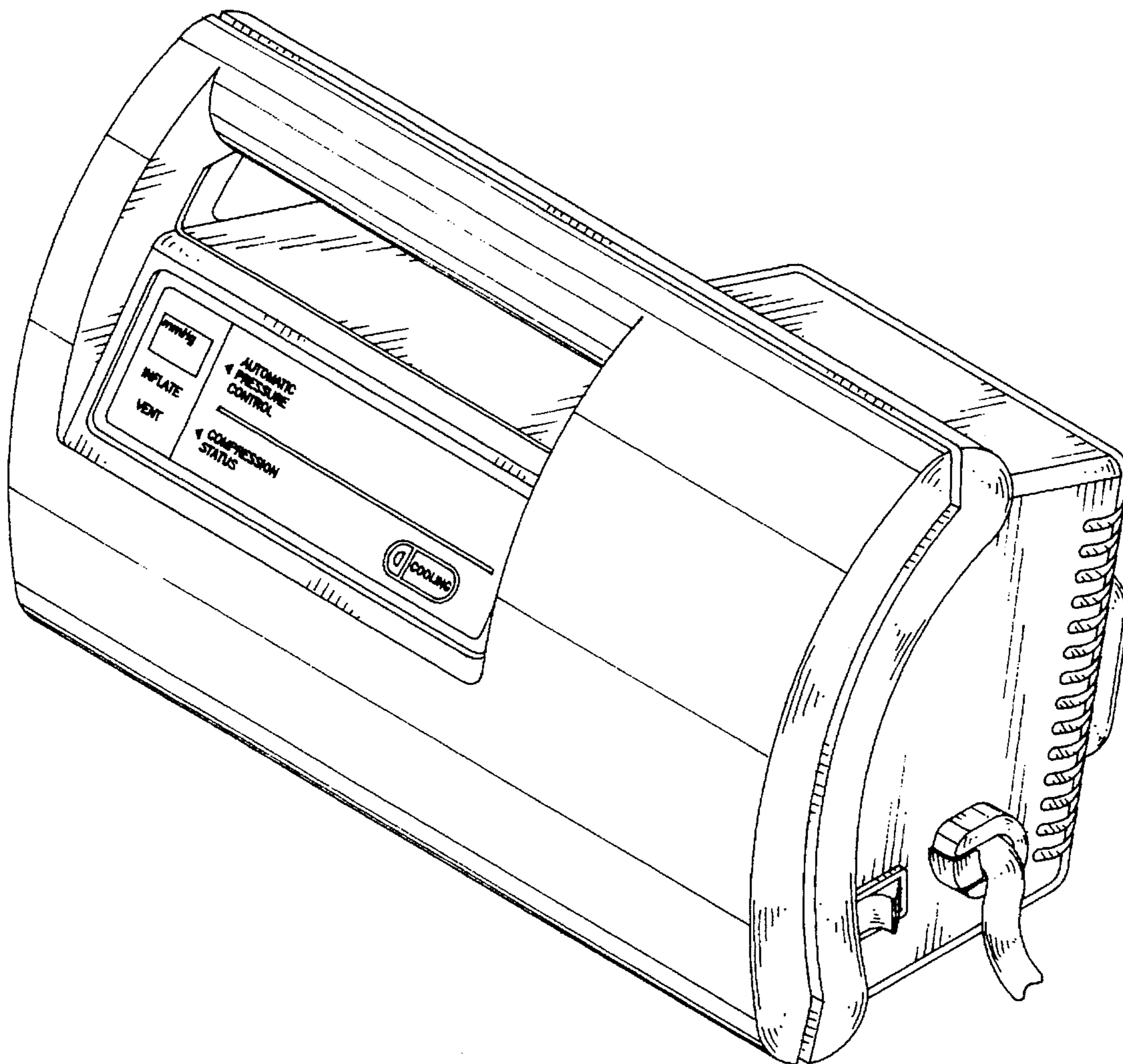
FIG. 7 is a bottom plan view thereof.

[56] References Cited

U.S. PATENT DOCUMENTS

D. 314,433 2/1991 Frantz D24/111
D. 362,721 9/1995 Peeler et al. D24/169

1 Claim, 3 Drawing Sheets



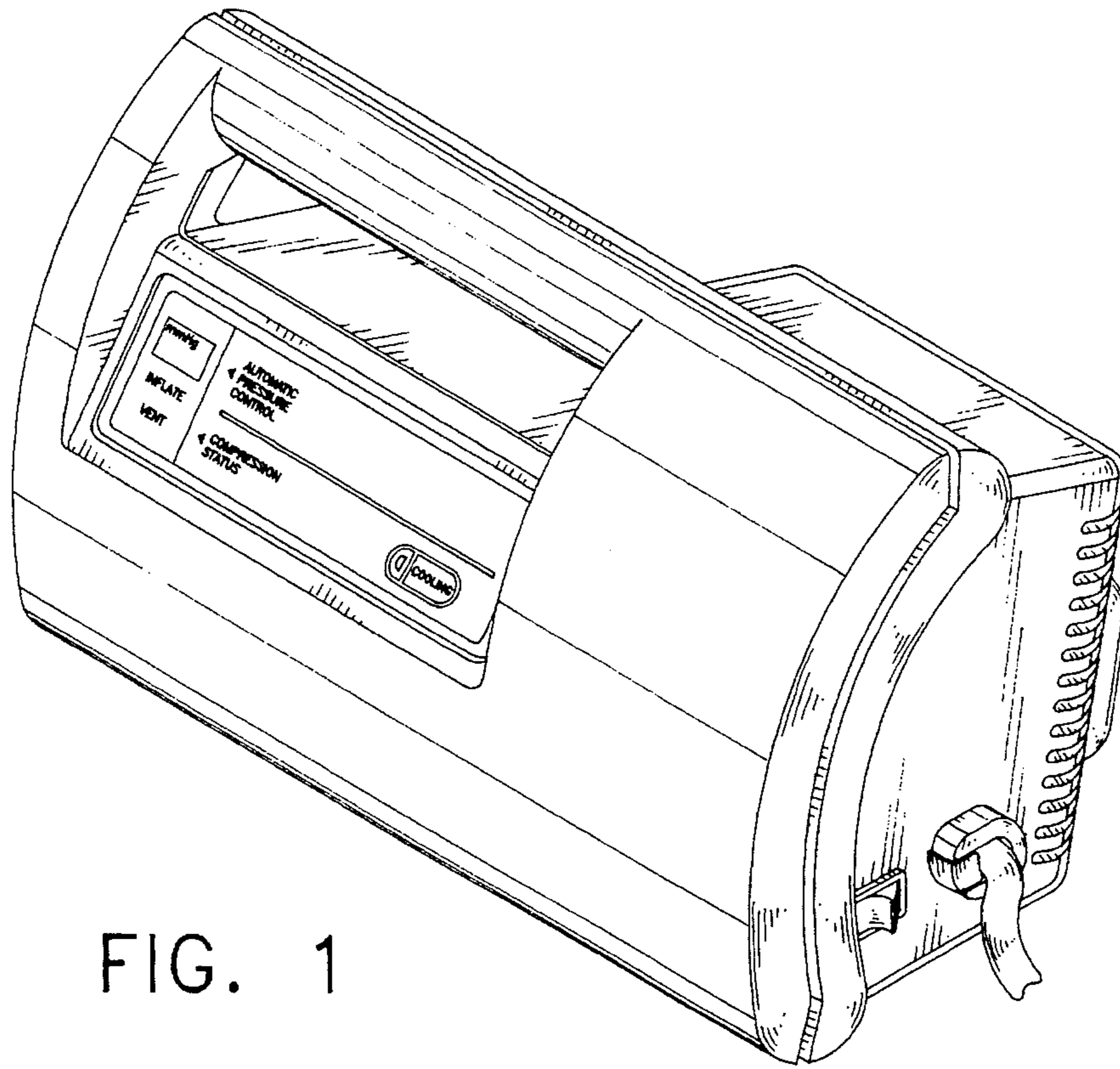


FIG. 1

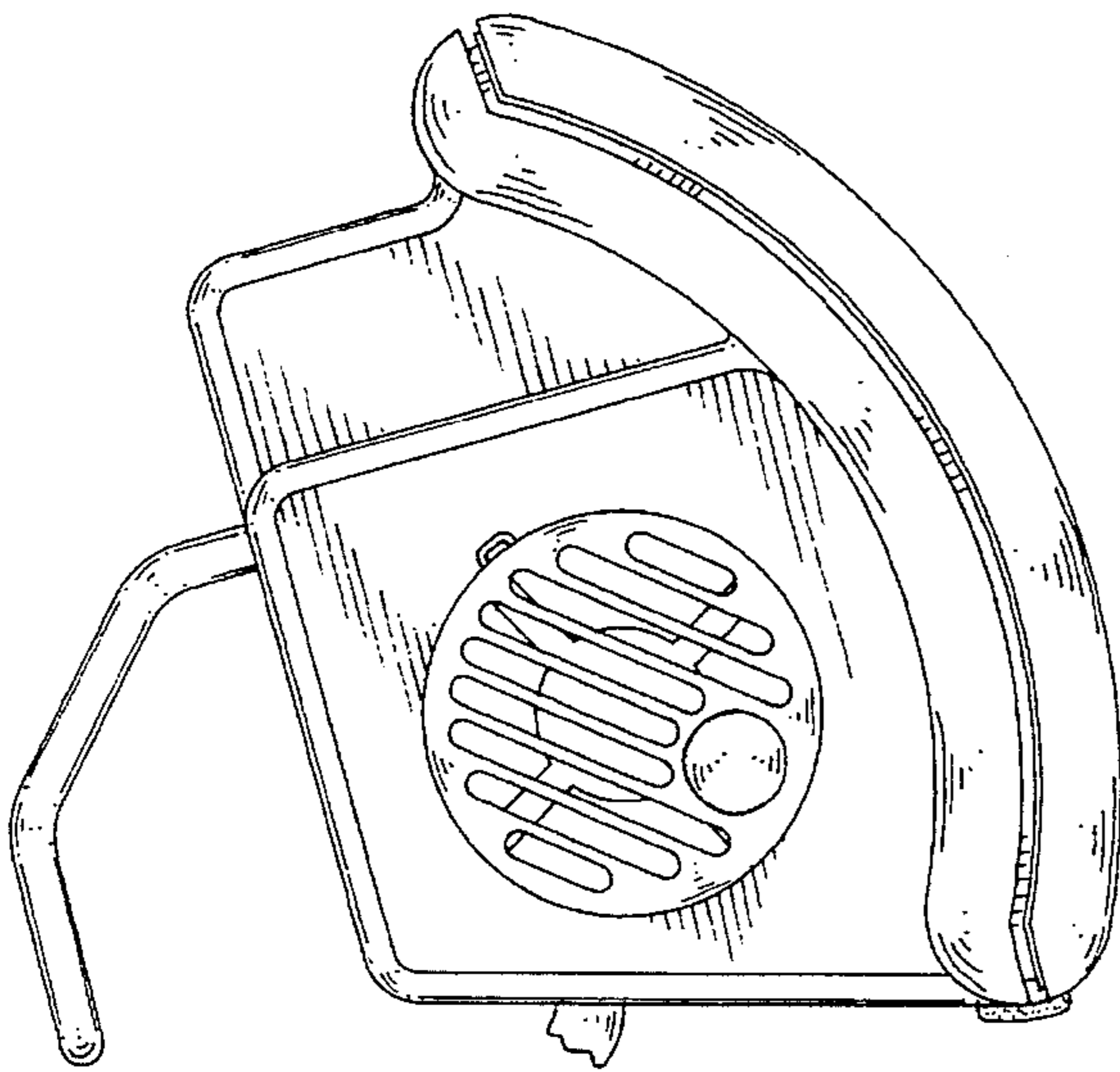


FIG. 2

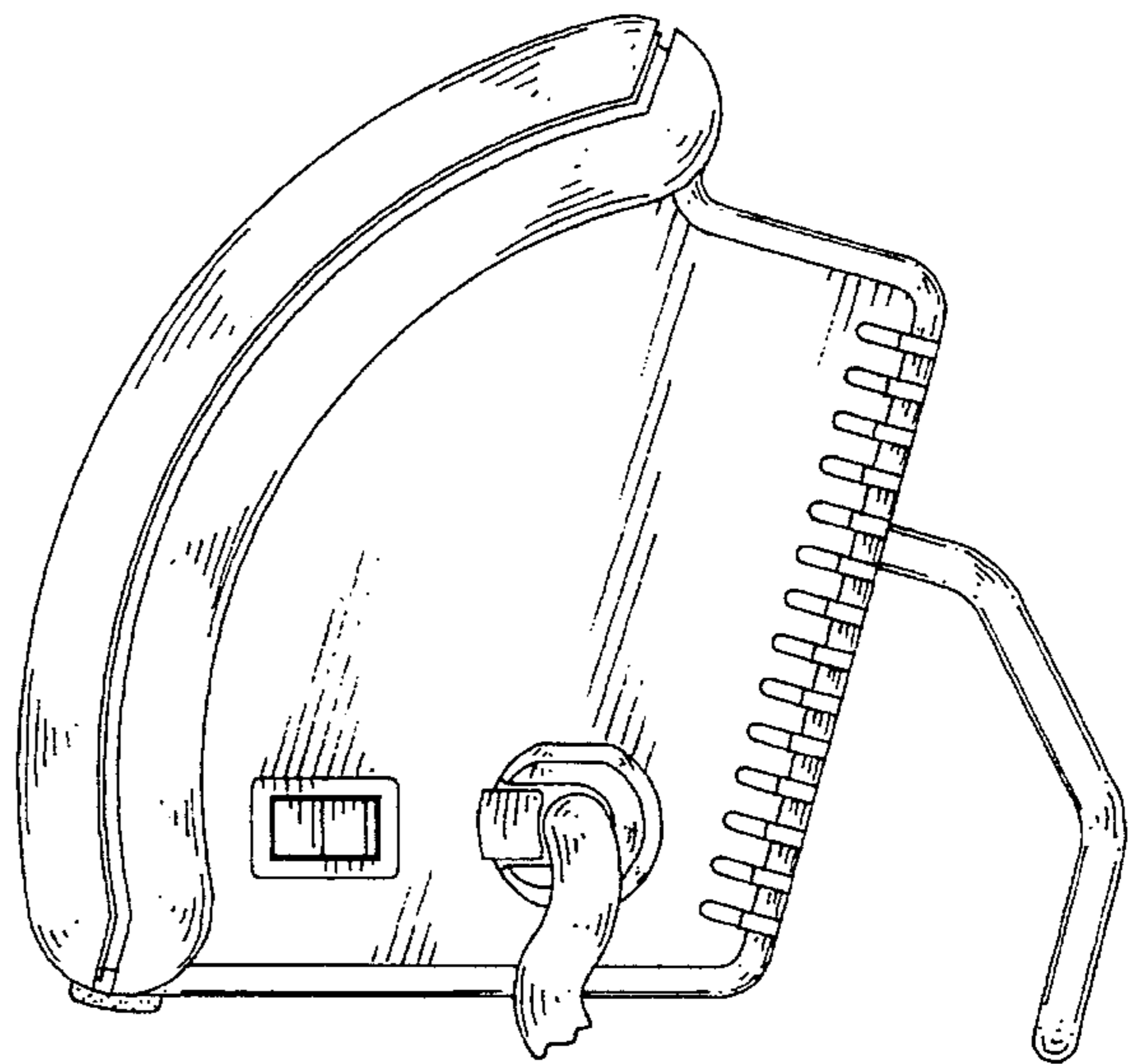


FIG. 3

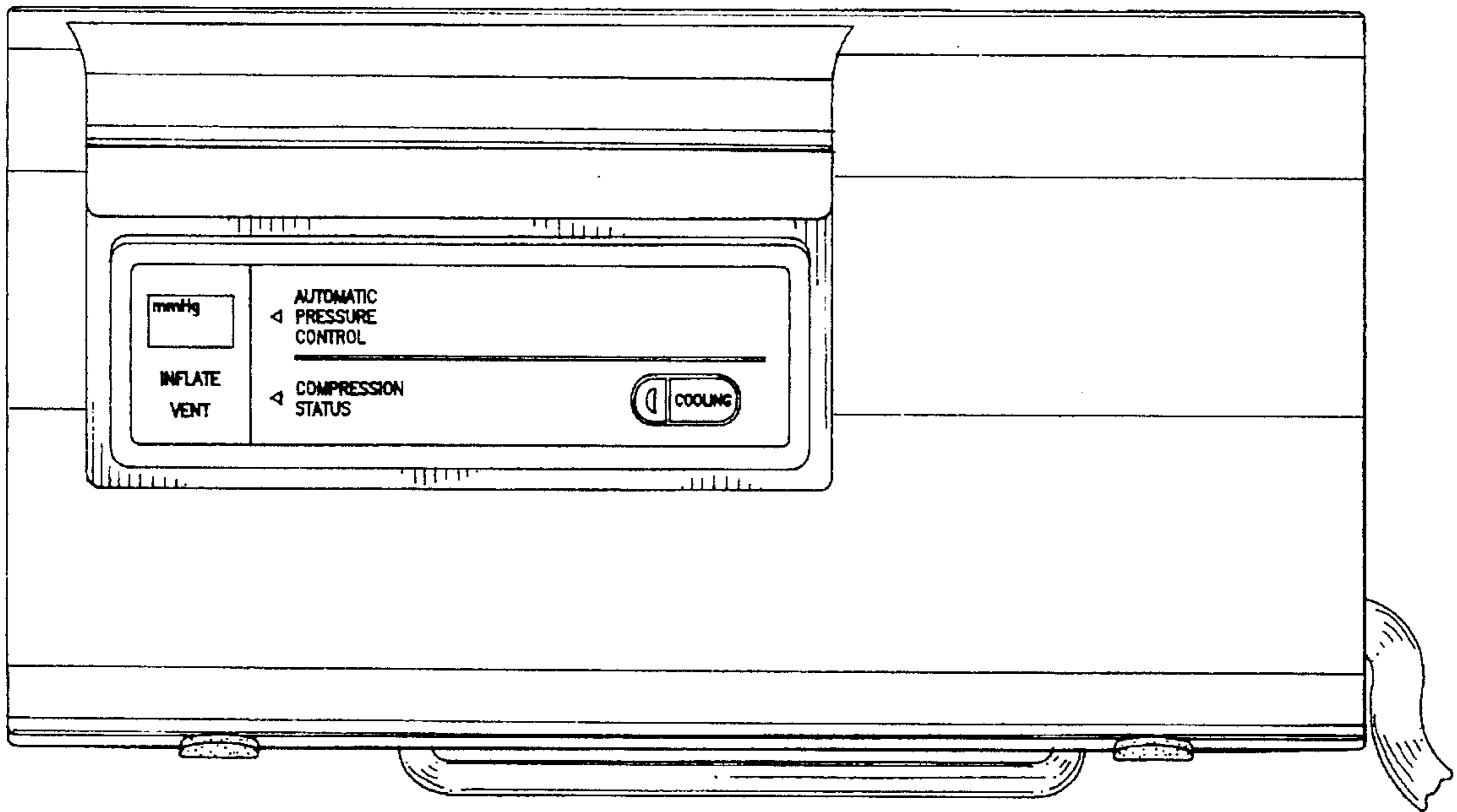


FIG. 4

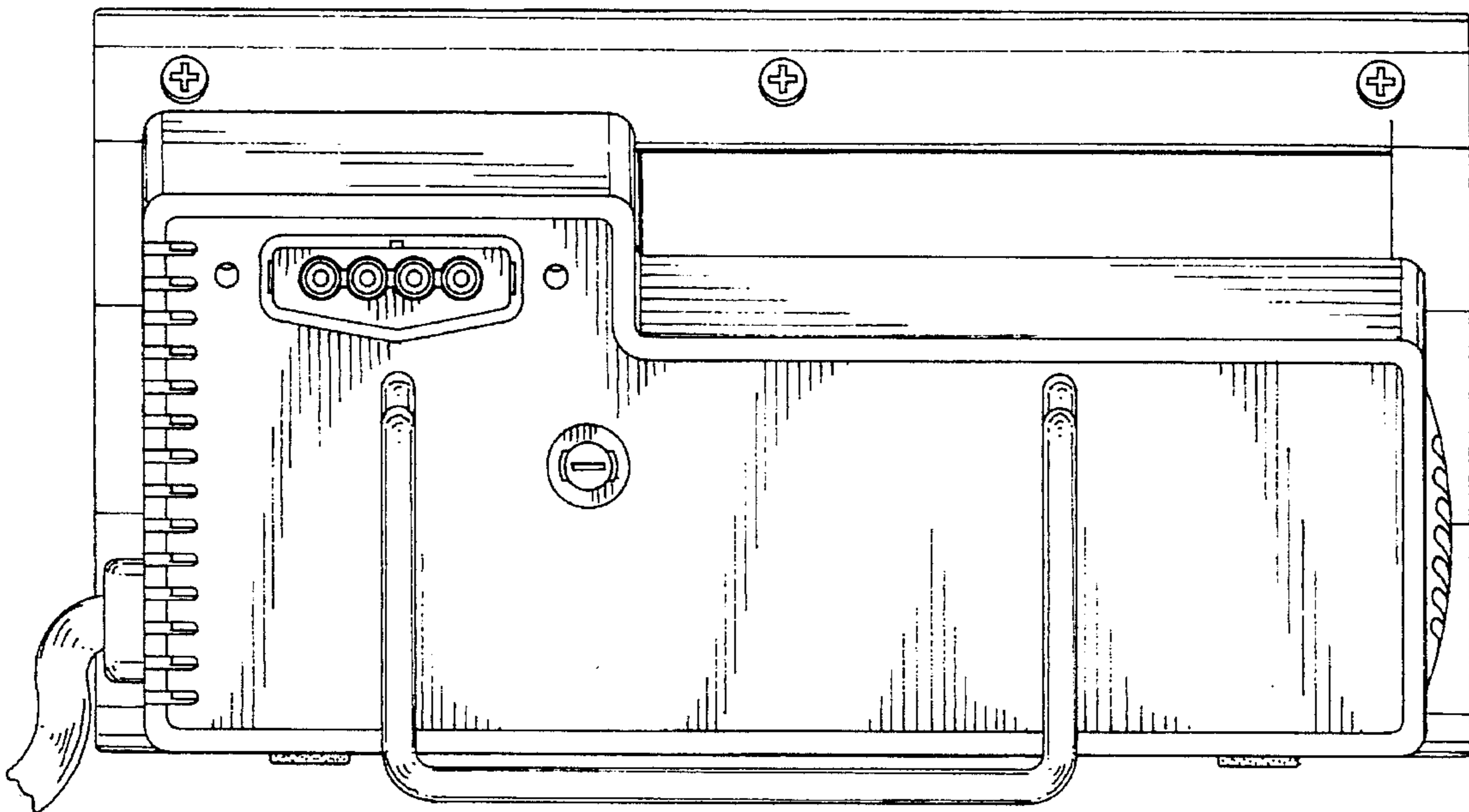


FIG. 5

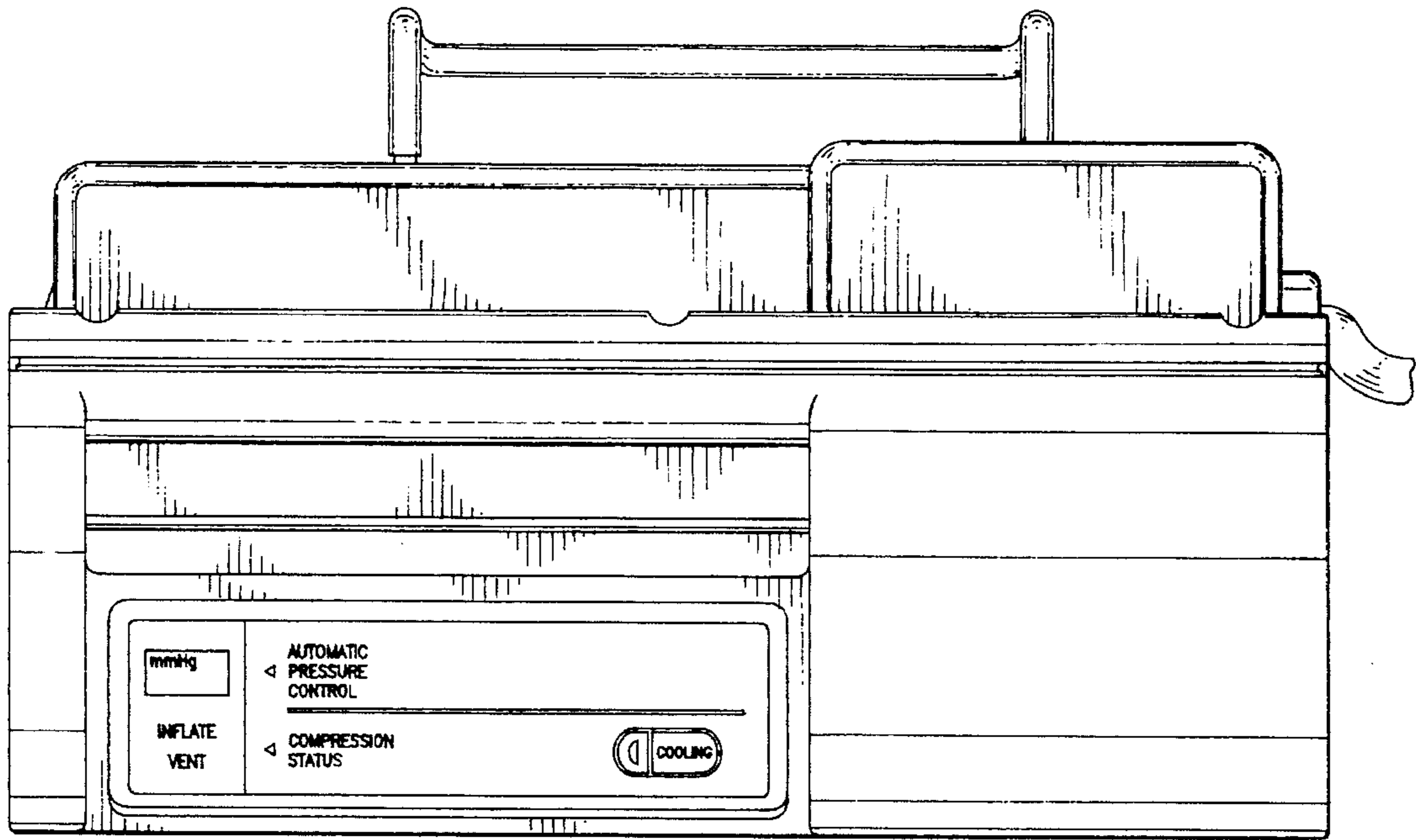


FIG. 6

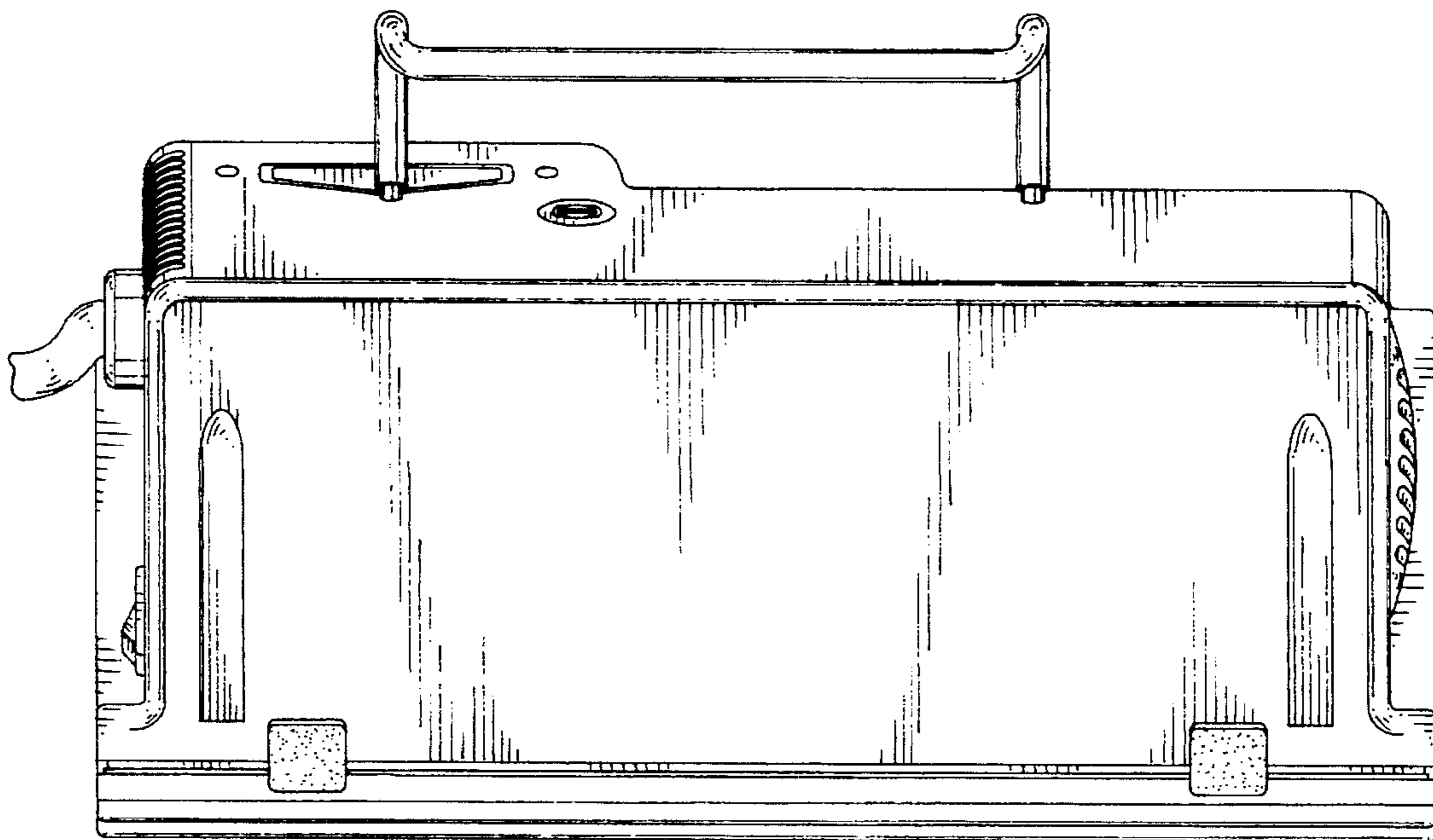


FIG. 7