



US00D374926S

United States Patent [19]

Sheh

[11] Patent Number: **Des. 374,926**

[45] Date of Patent: ****Oct. 22, 1996**

[54] **COMBINED HELICOPTER PENDANT AND CEILING FAN**

[76] Inventor: **Kuo-Chine Sheh**, 58, Ma Yuan West St., Taichung, Taiwan

[**] Term: **14 Years**

[21] Appl. No.: **41,790**

[22] Filed: **Jul. 24, 1995**

[52] U.S. Cl. **D23/377; D12/327; D21/90; D23/379; D23/385**

[58] Field of Search **D23/377, 379, D23/385, 411, 413; 416/5; 342/364; D12/327; D21/90, 85, 86**

[56] **References Cited**

U.S. PATENT DOCUMENTS

- D. 287,518 12/1986 Ohno D21/90
- D. 294,604 3/1988 Shibukawa D21/90

- D. 295,430 4/1988 Smith D23/370
- D. 341,194 11/1993 Reid et al. D23/379
- D. 359,553 6/1995 Hsi D23/377

Primary Examiner—Lisa P. Lichtenstein

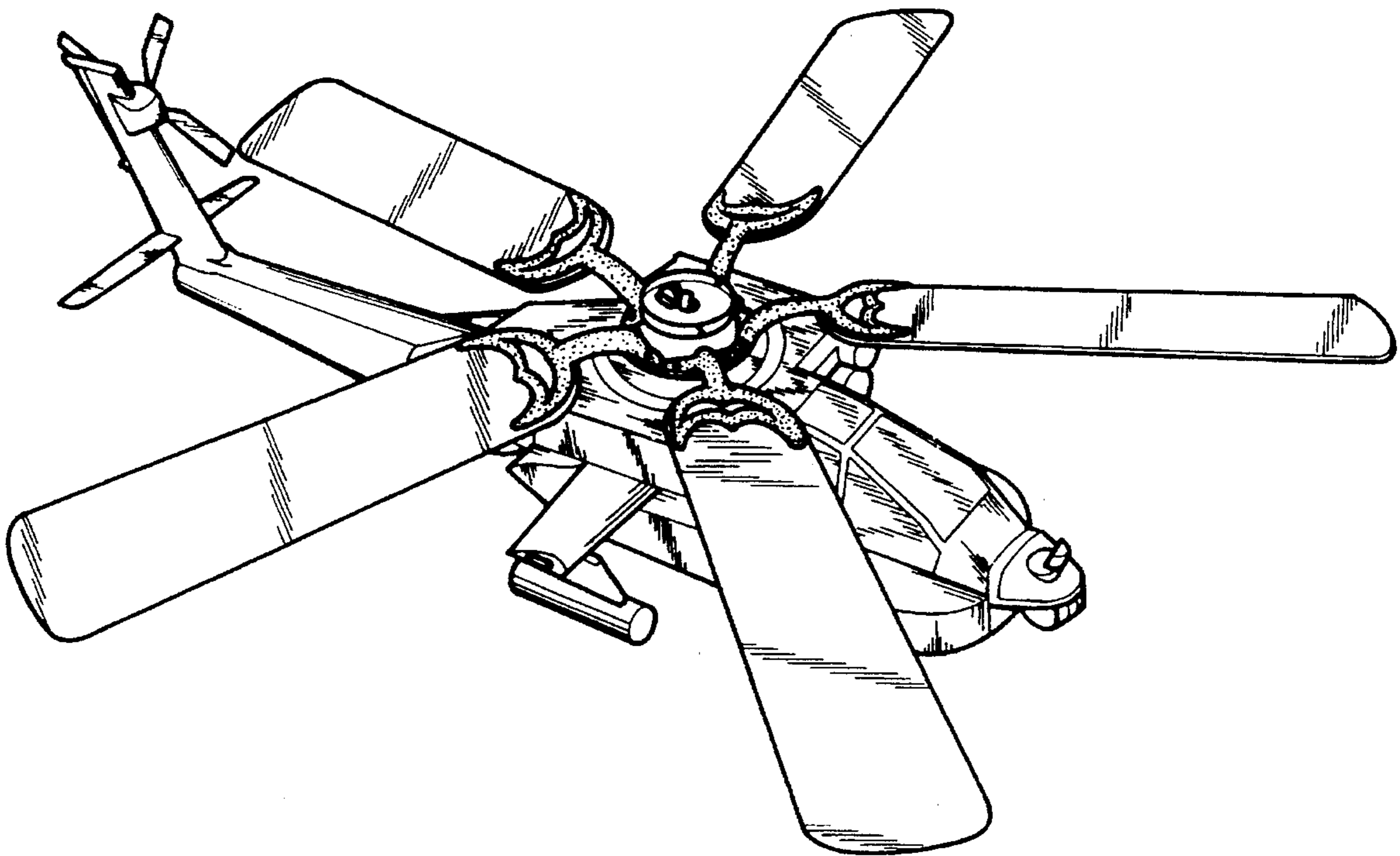
[57] **CLAIM**

The ornamental design for a combined helicopter pendant and ceiling fan, as shown.

DESCRIPTION

FIG. 1 is a perspective view of a combined helicopter pendant and ceiling fan showing my design; FIG. 2 is a front elevational view thereof; FIG. 3 is a rear elevational view thereof; FIG. 4 is a left side elevational view thereof; FIG. 5 is a right side elevational view thereof; FIG. 6 is a top plan view thereof; and, FIG. 7 is a bottom plan view thereof.

1 Claim, 6 Drawing Sheets



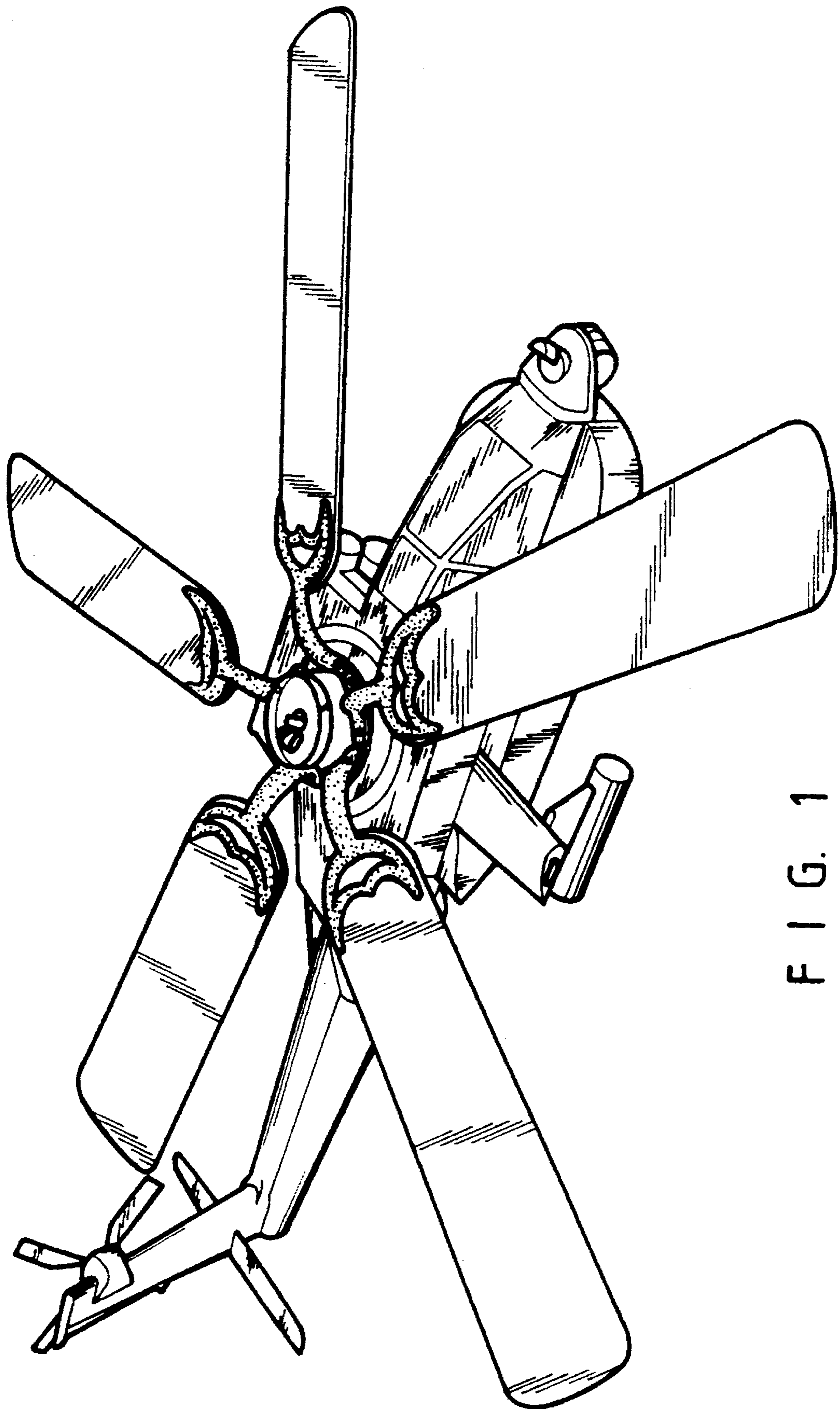


FIG. 1

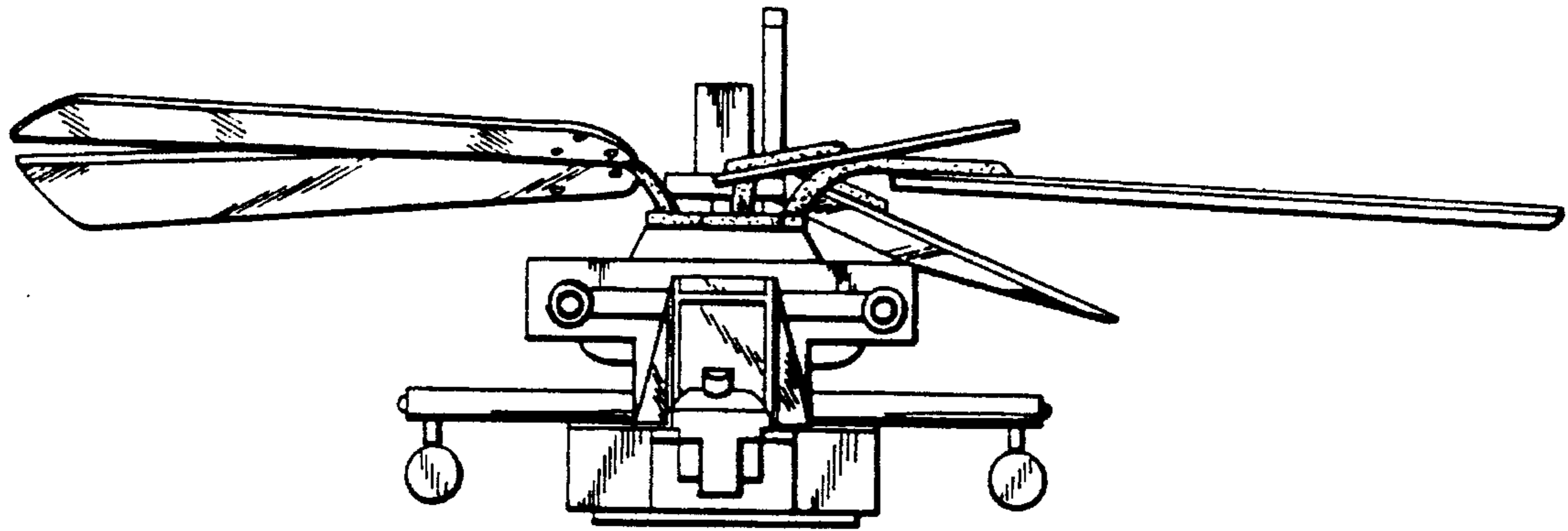


FIG. 2

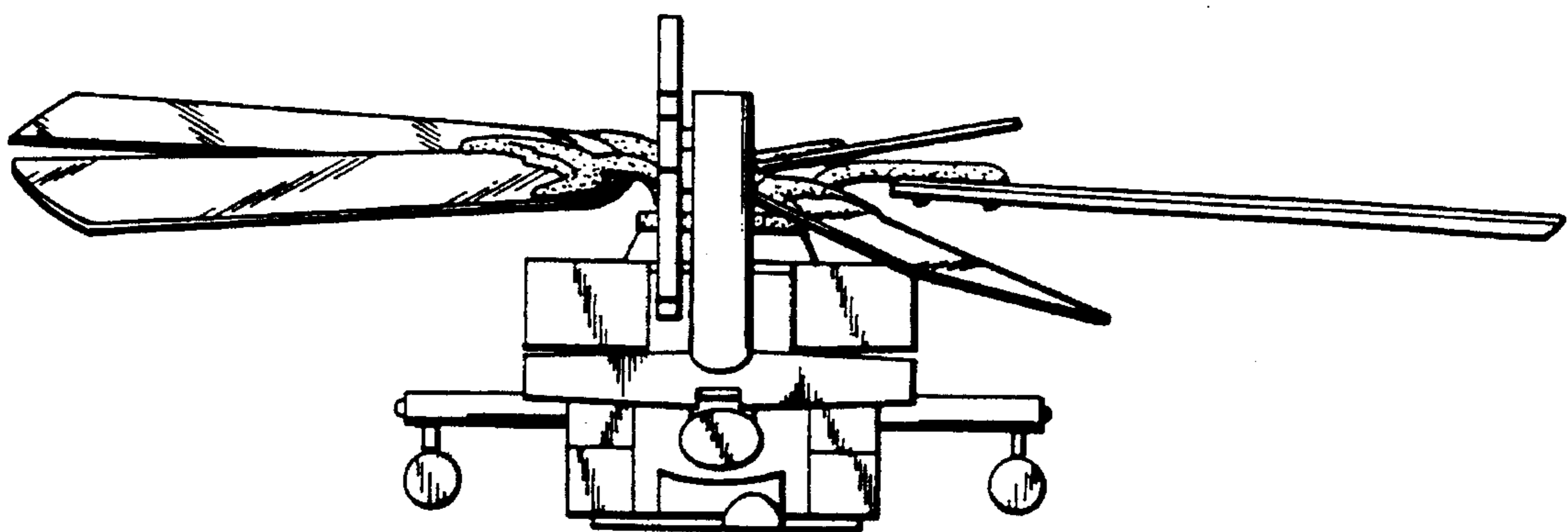


FIG. 3

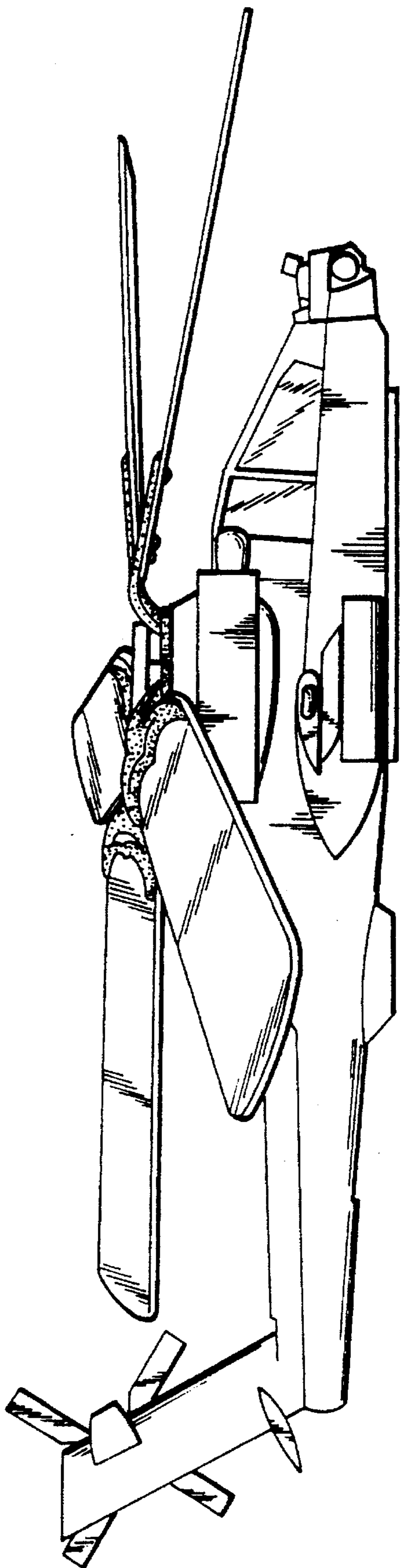


FIG. 4

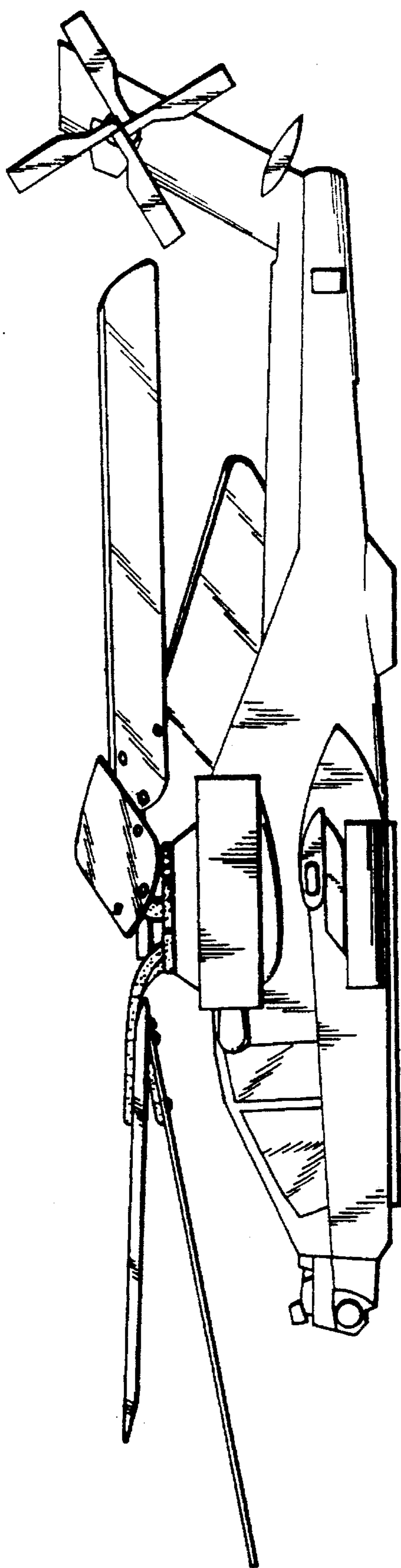


FIG. 5

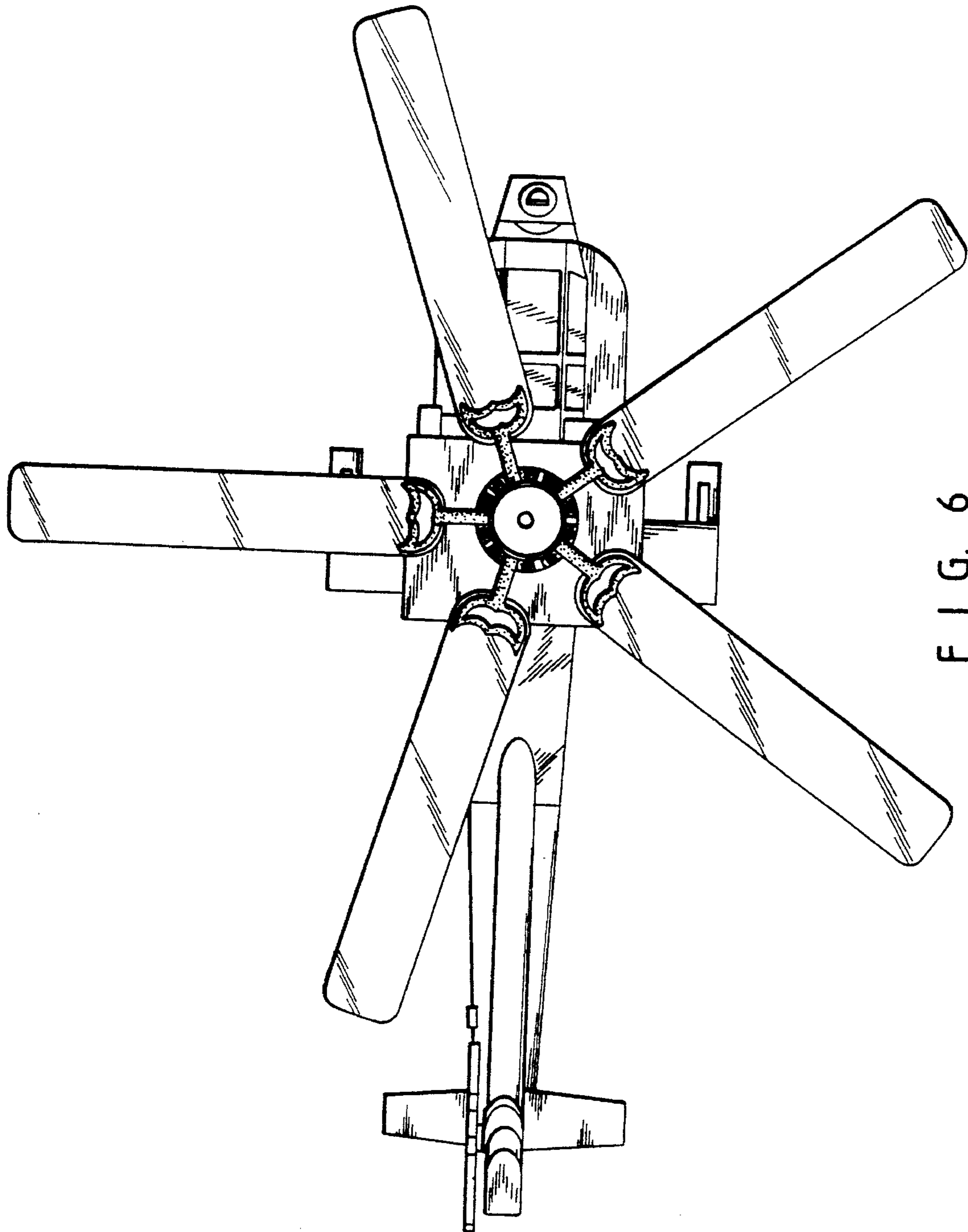


FIG. 6

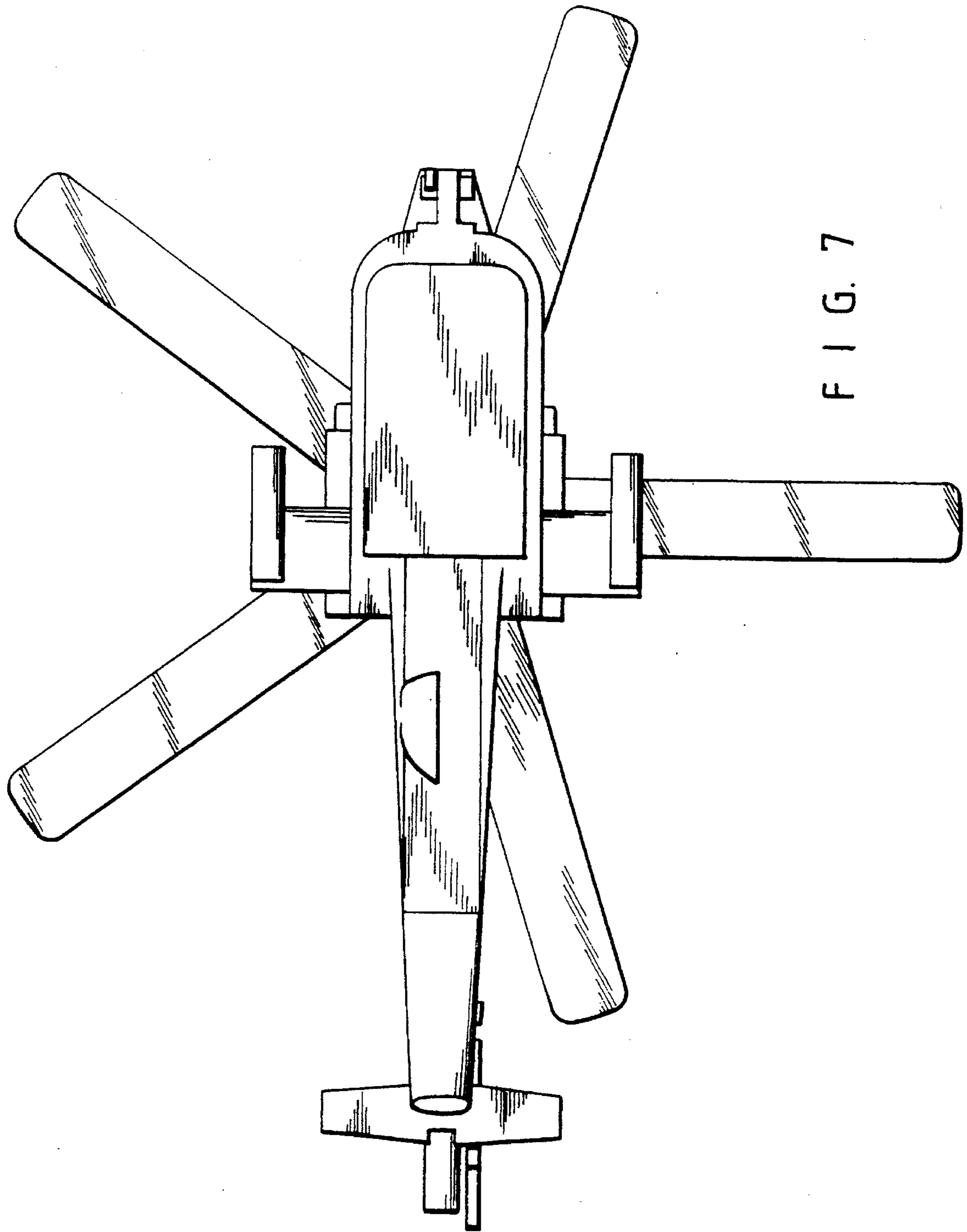


FIG. 7