



US00D374925S

United States Patent [19] Jaspers-Fayer

[11] Patent Number: **Des. 374,925**
[45] Date of Patent: ****Oct. 22, 1996**

[54] **CEILING FAN**

[75] Inventor: **Jan Jaspers-Fayer**, Idyllwild, Calif.

[73] Assignee: **Minka Lighting, Inc.**, Corona, Calif.

[**] Term: **14 Years**

[21] Appl. No.: **37,118**

[22] Filed: **Apr. 4, 1995**

[52] U.S. Cl. **D23/377; D23/385; D23/389**

[58] Field of Search **D23/377, 379, D23/385, 411, 413; D26/81-86, 88, 72, 59, 51; 362/96; 392/364; 416/5**

[56] **References Cited**

U.S. PATENT DOCUMENTS

- D. 285,720 9/1986 Markwardt 416/5
- D. 297,456 8/1988 Pearce D23/385

Primary Examiner—Lisa P. Lichtenstein
Attorney, Agent, or Firm—Cooper & Dunham LLP

[57] **CLAIM**

The ornamental design for a ceiling fan, as shown and described.

DESCRIPTION

FIG. 1 is a top perspective view of a ceiling fan showing my new design;

FIG. 2 is a bottom perspective view thereof;

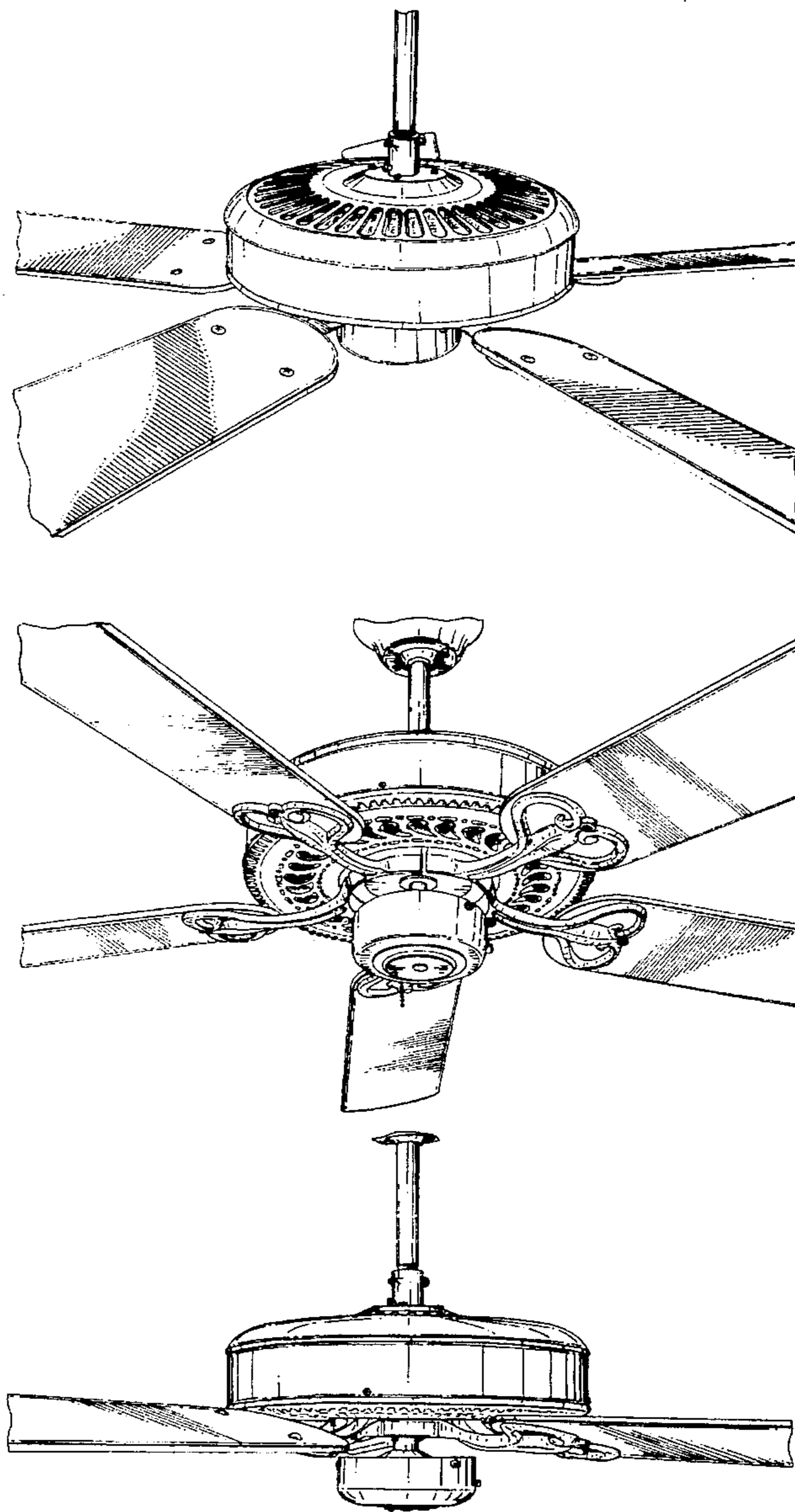
FIG. 3 is a front elevation view thereof; and

FIG. 4 is top perspective view thereof; and,

FIG. 5 is a bottom perspective view thereof.

The blades and the support rod have been shown broken away in FIGS. 1-5 to indicate indeterminate length.

1 Claim, 5 Drawing Sheets



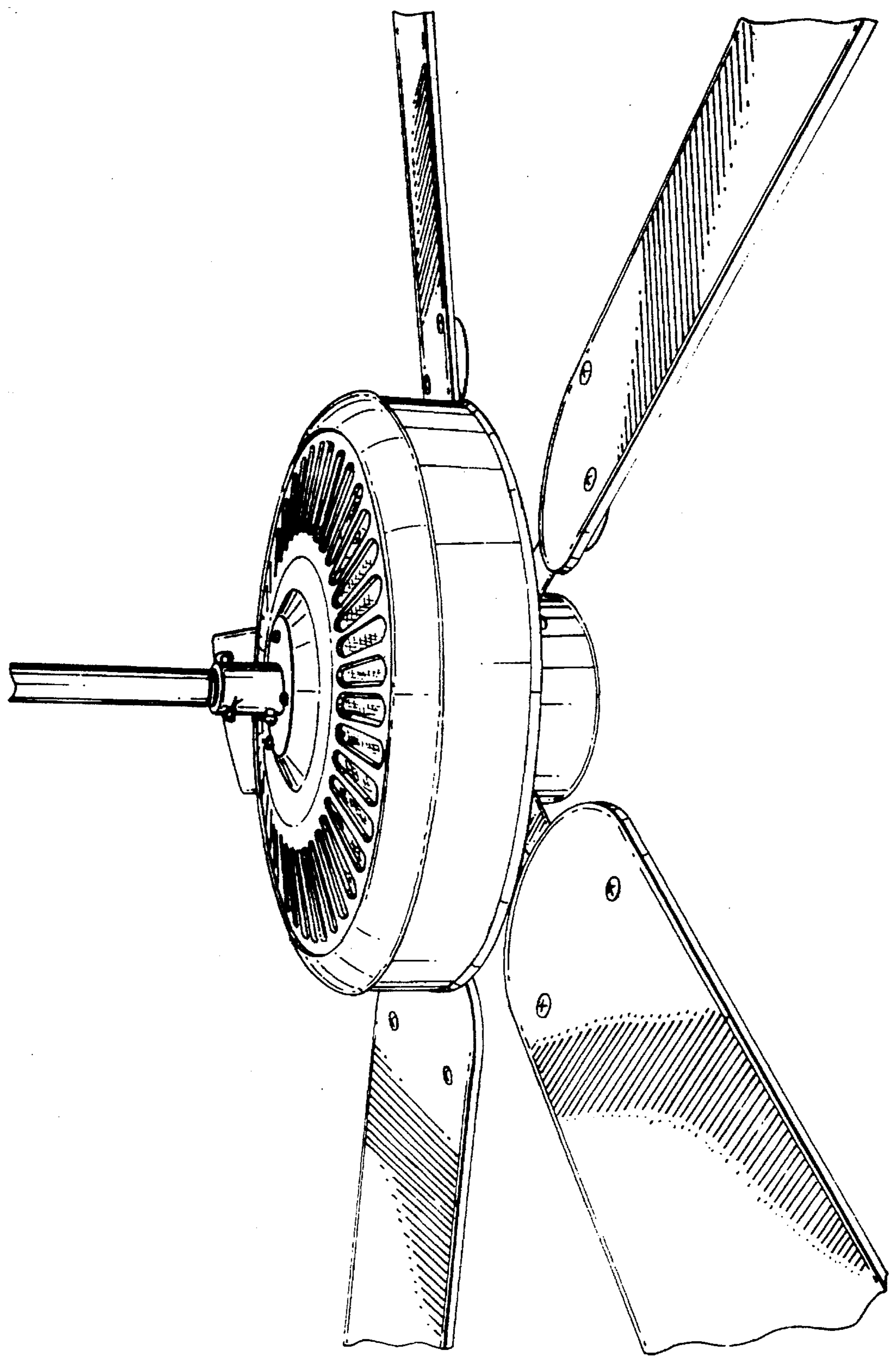


FIG. 1

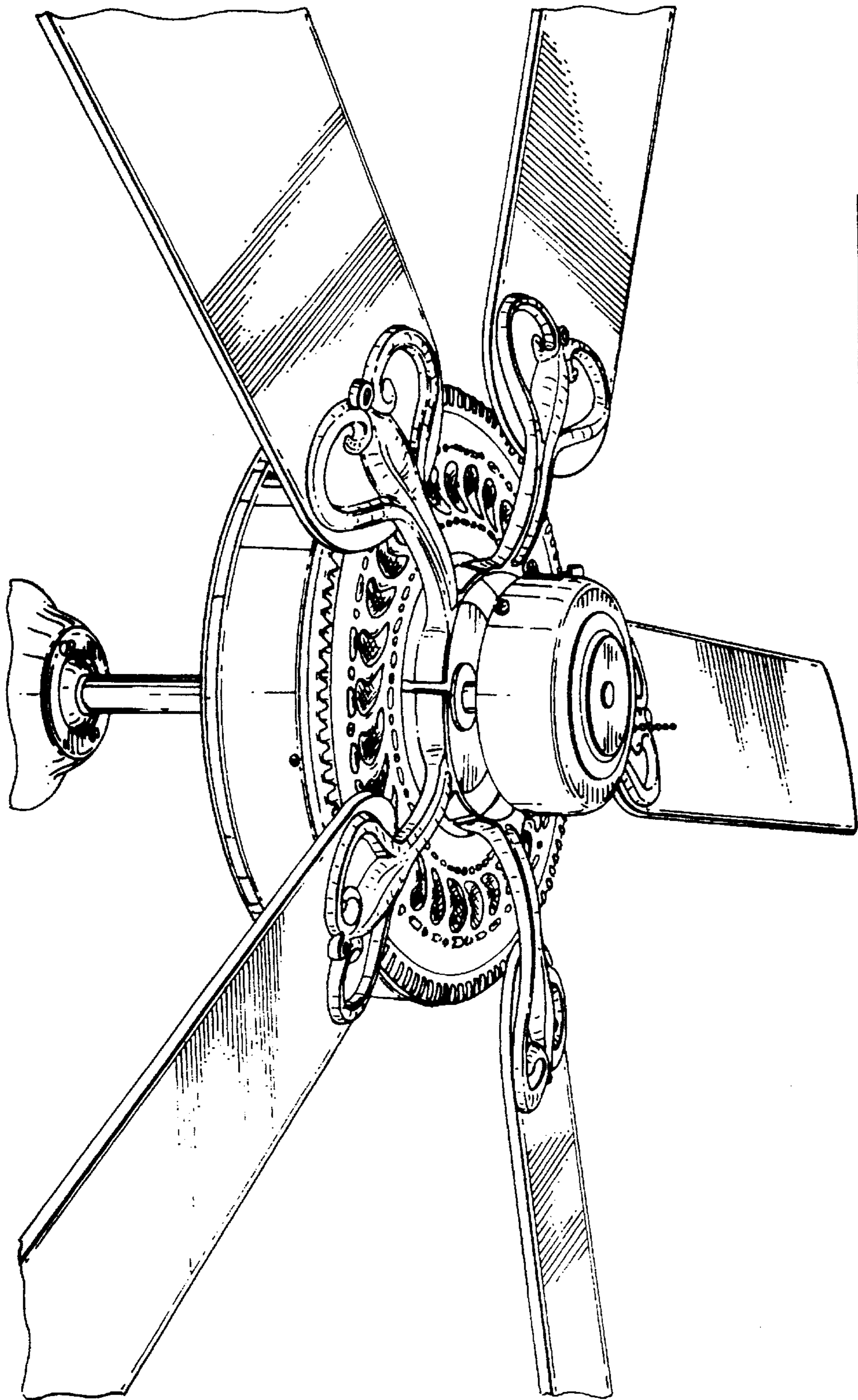


FIG - 2

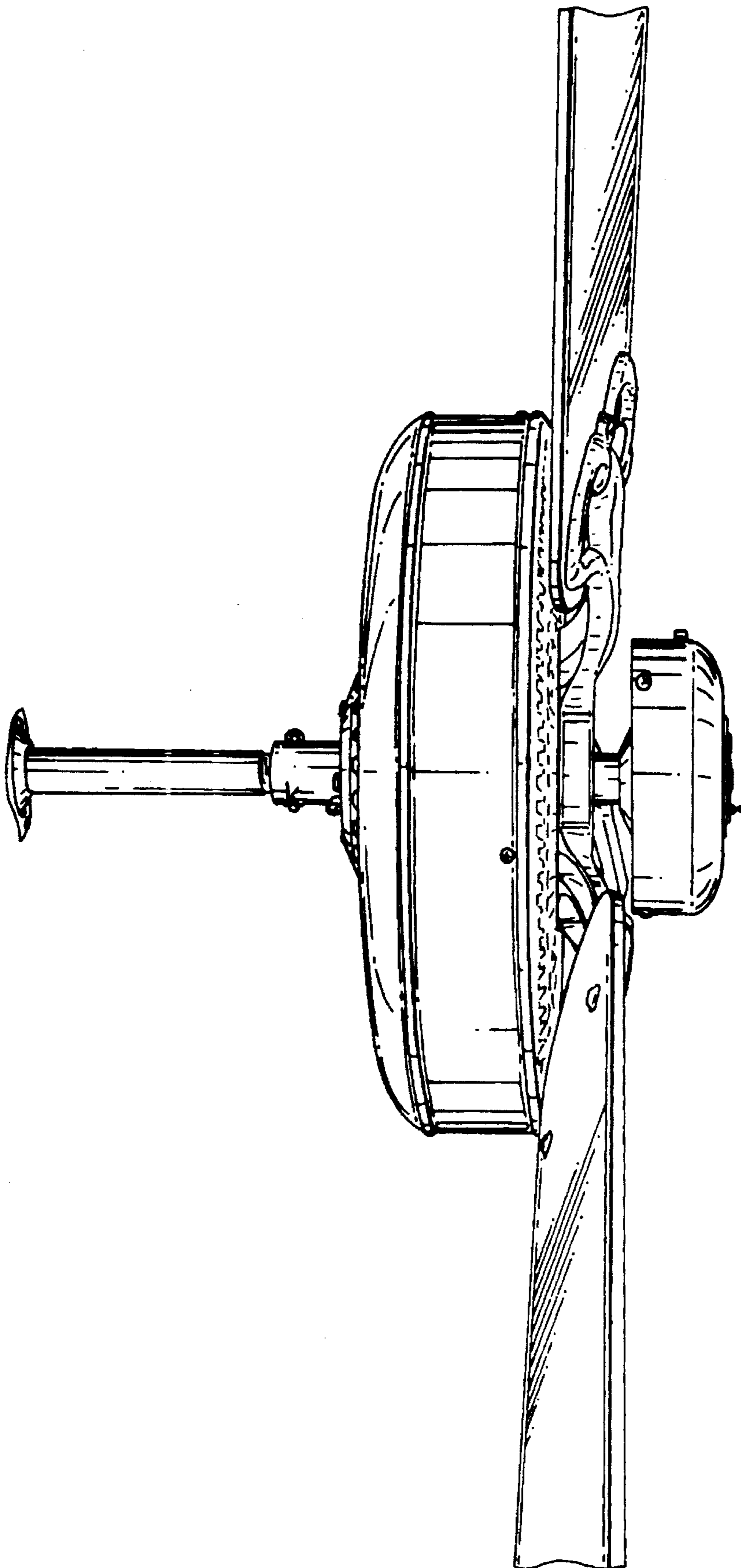


FIG- 3

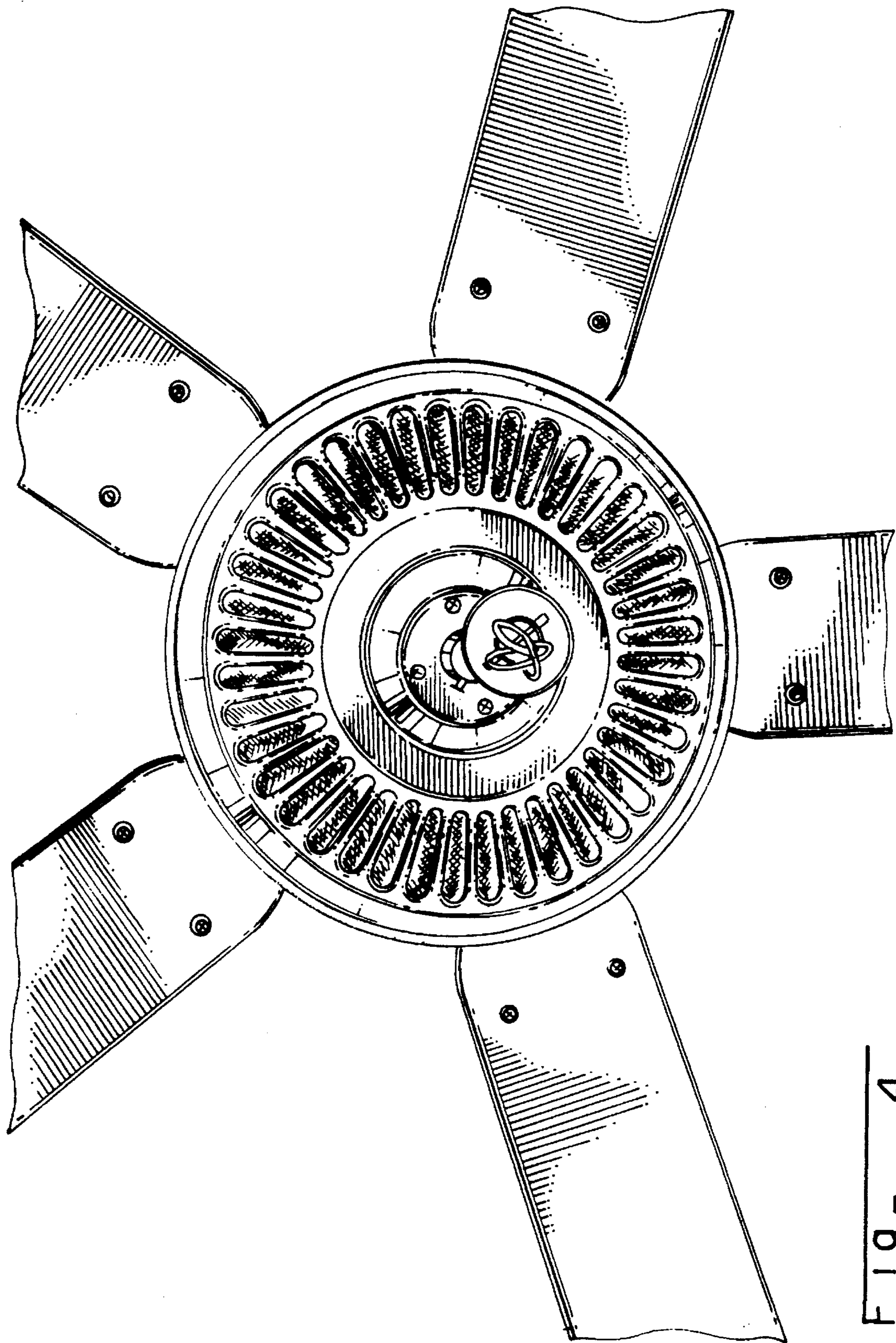


FIG- 4

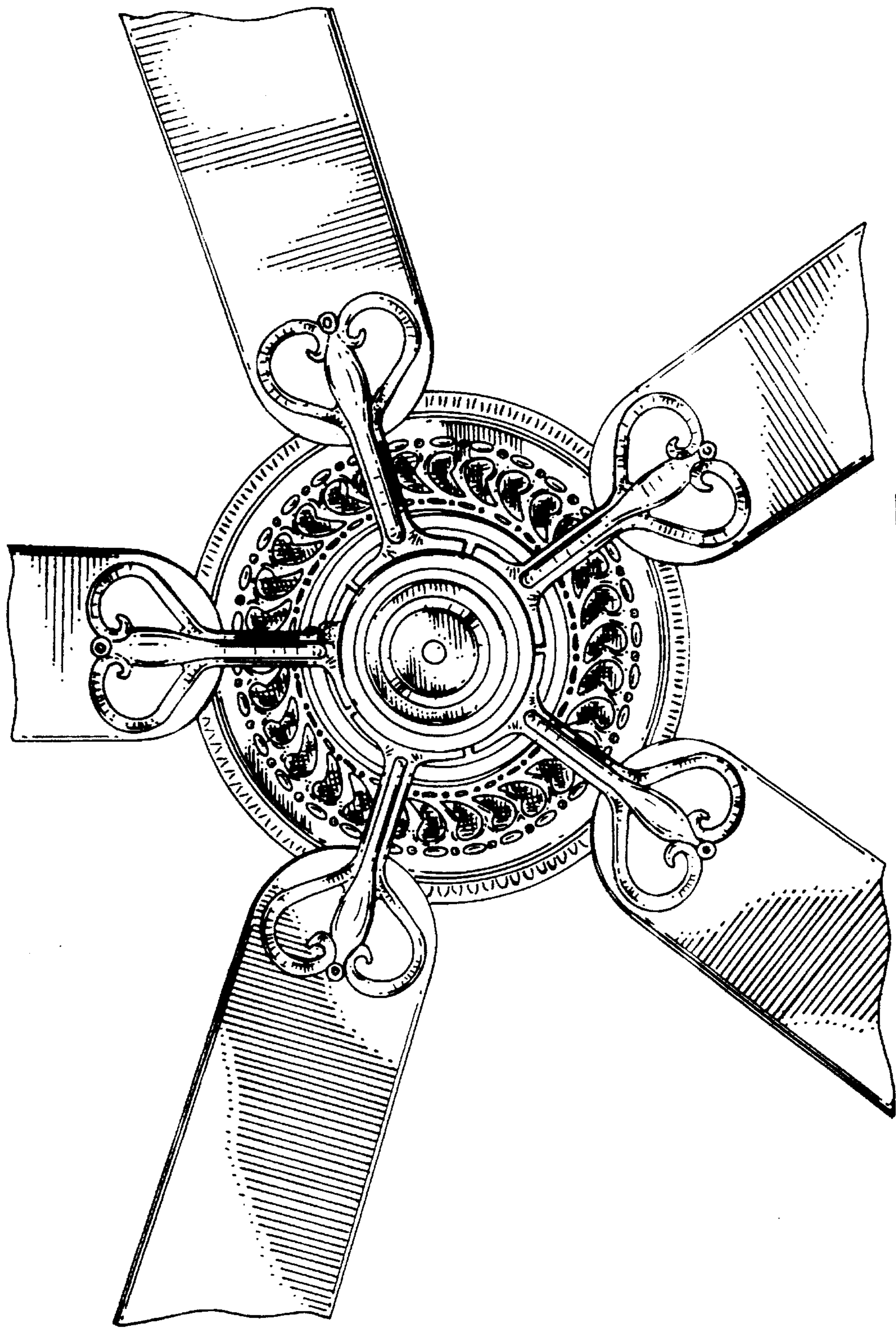


FIG- 5