



US00D374923S

**United States Patent** [19]  
**Moore**

[11] **Patent Number: Des. 374,923**  
[45] **Date of Patent: \*\*Oct. 22, 1996**

[54] **VAPORIZER**

D. 355,248 2/1995 Wang et al. .... D23/356

[75] Inventor: **Devin L. Moore**, Decatur, Ga.

*Primary Examiner*—Lisa P. Lichtenstein

*Attorney, Agent, or Firm*—Michael J. Kline; Carol I. Bordas

[73] Assignee: **Sunbeam Products, Inc.**, Fort Lauderdale, Fla.

[57] **CLAIM**

[\*\*] Term: **14 Years**

The ornamental design for a vaporizer, as shown.

[21] Appl. No.: **45,830**

**DESCRIPTION**

[22] Filed: **Oct. 31, 1995**

FIG. 1 is a top left front perspective view of a vaporizer showing my new design;

[52] U.S. Cl. .... **D23/360; D23/356**

FIG. 2 is a top plan view thereof;

[58] Field of Search ..... **D23/356-363;**

FIG. 3 is a bottom plan view thereof;

**261/91, DIG. 65; 422/120; D24/110**

FIG. 4 is a front elevational view thereof;

FIG. 5 is a rear elevational view thereof;

[56] **References Cited**

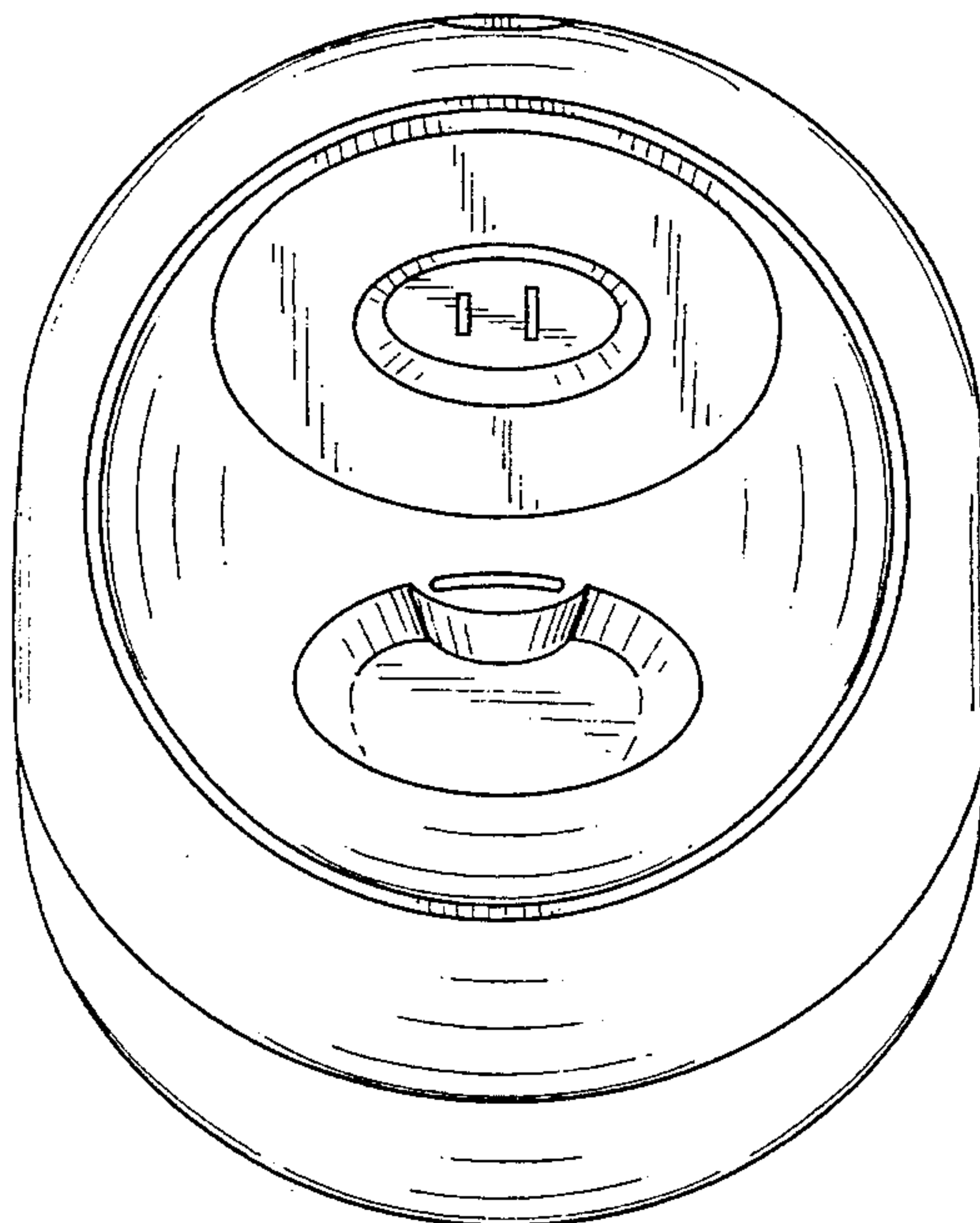
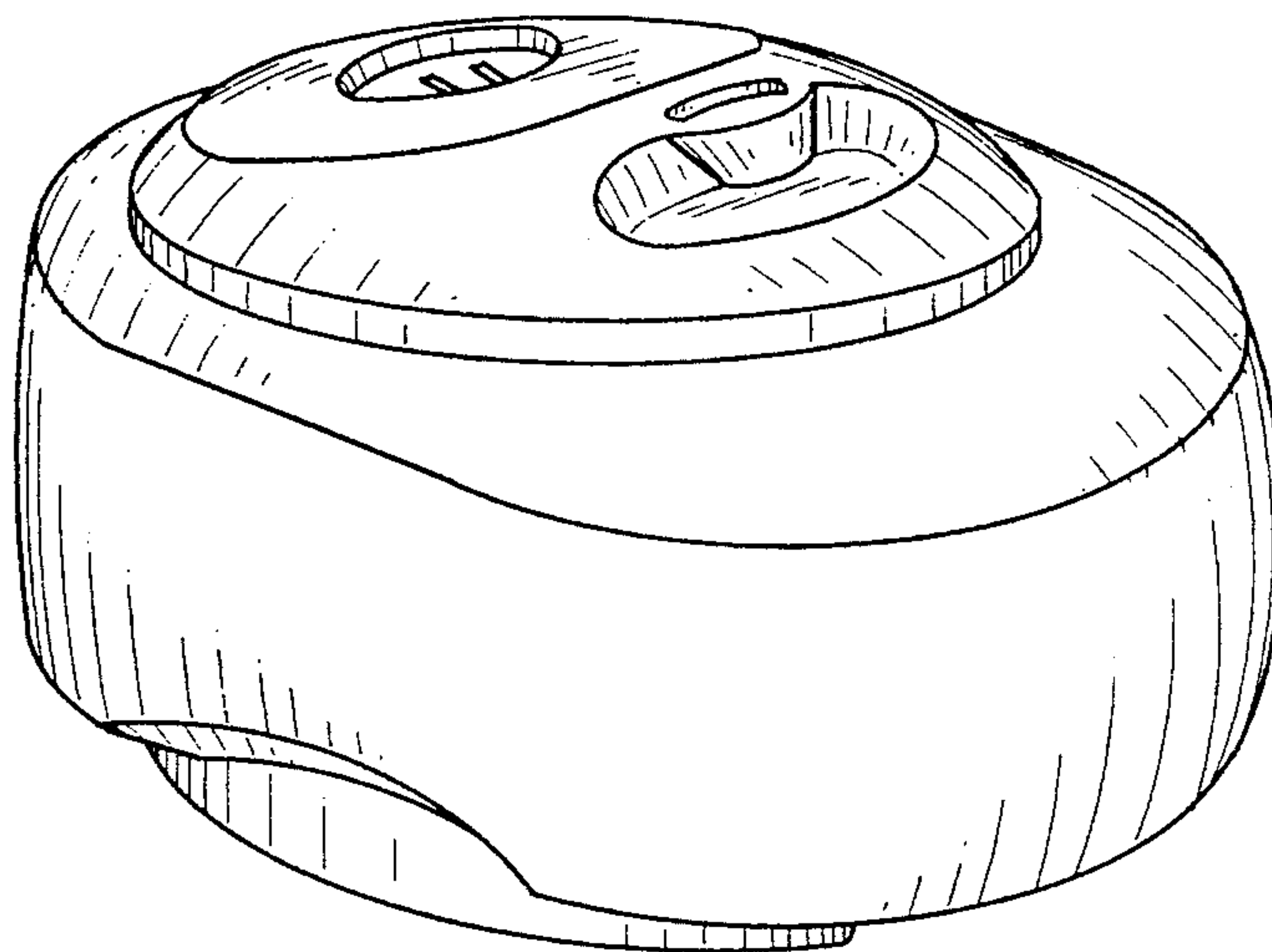
FIG. 6 is a left side elevational view thereof; and,

**U.S. PATENT DOCUMENTS**

FIG. 7 is a right side elevational view thereof.

D. 235,450 6/1975 Chapman ..... D23/359

**1 Claim, 4 Drawing Sheets**



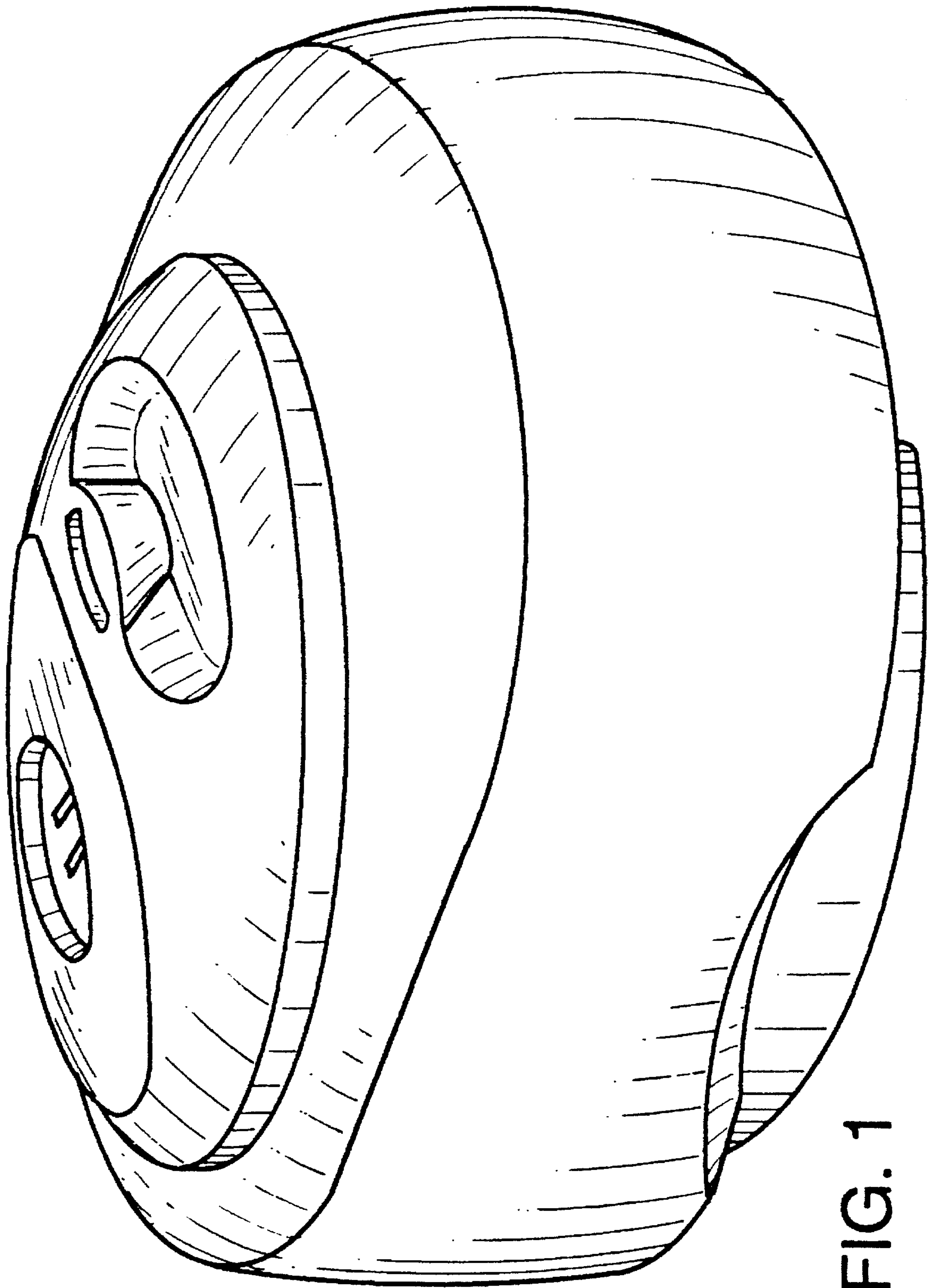


FIG. 1

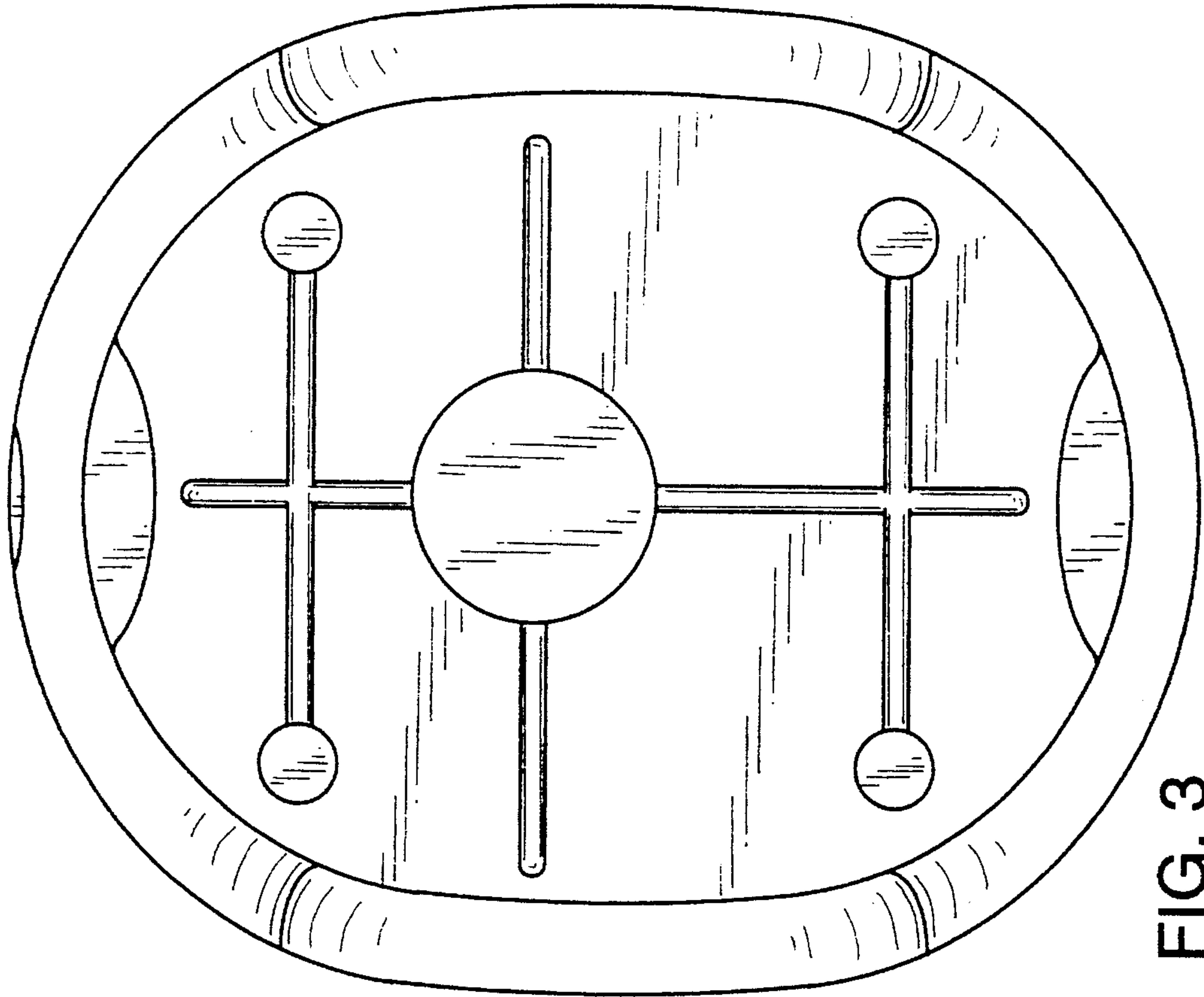


FIG. 3

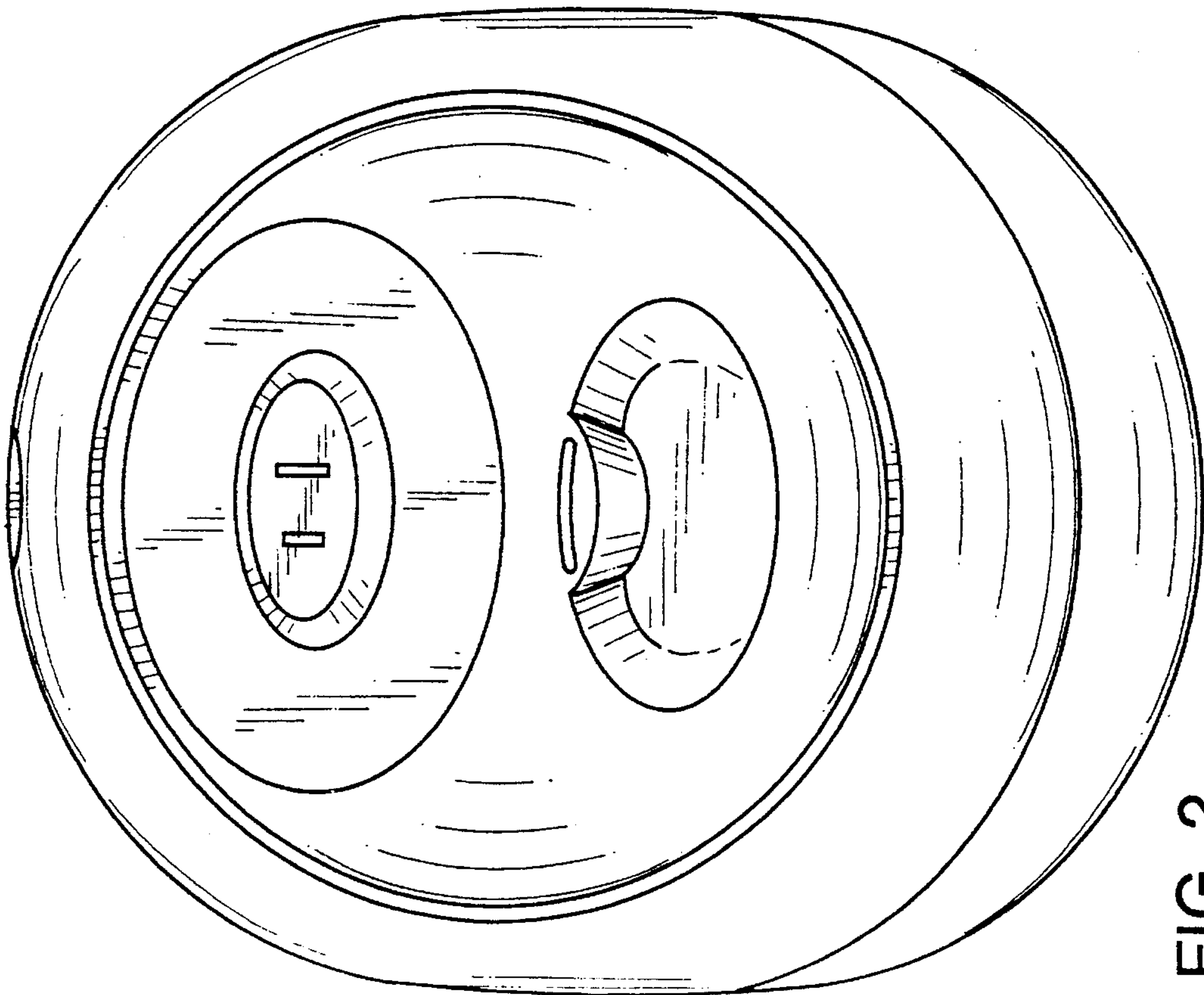


FIG. 2

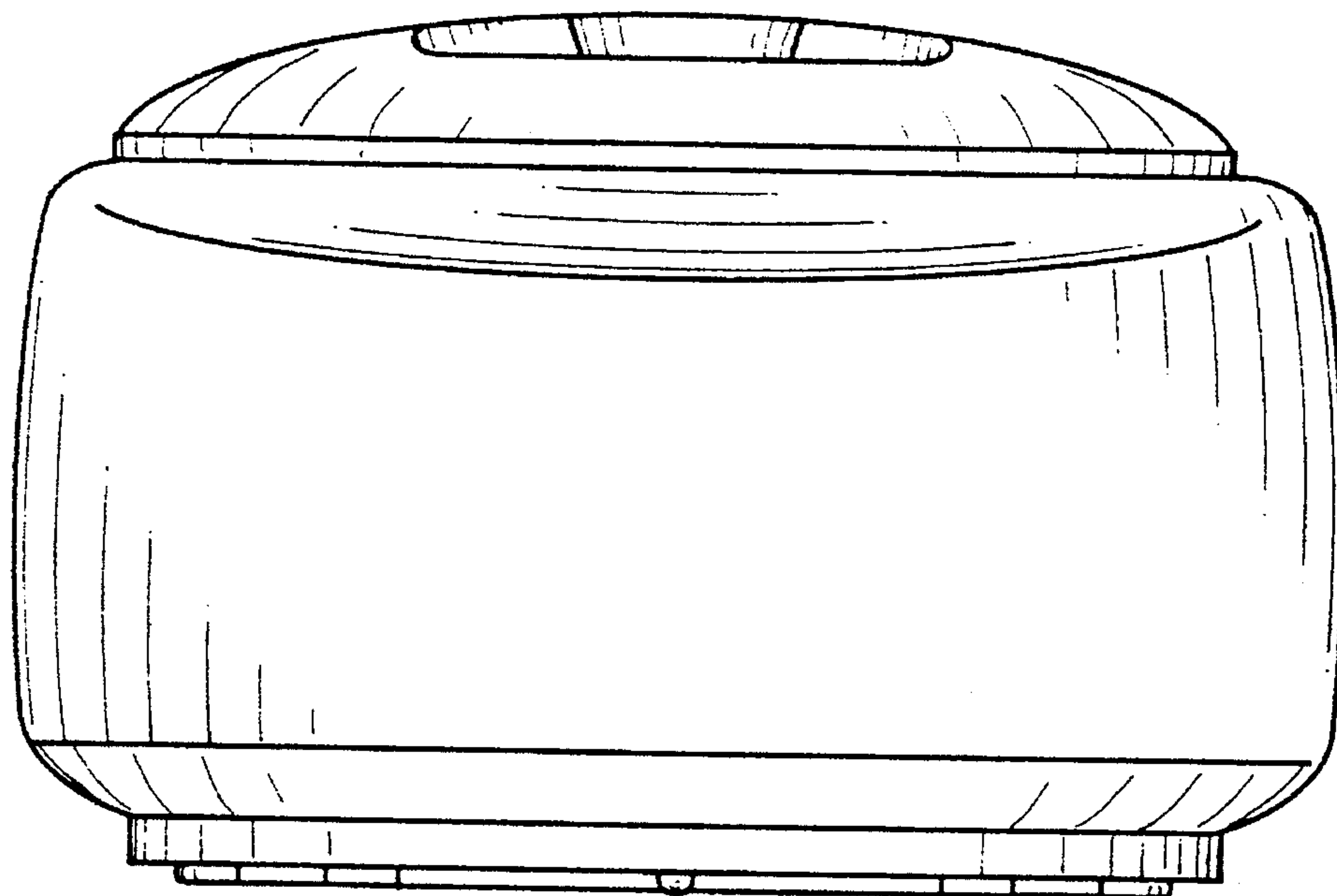


FIG. 4

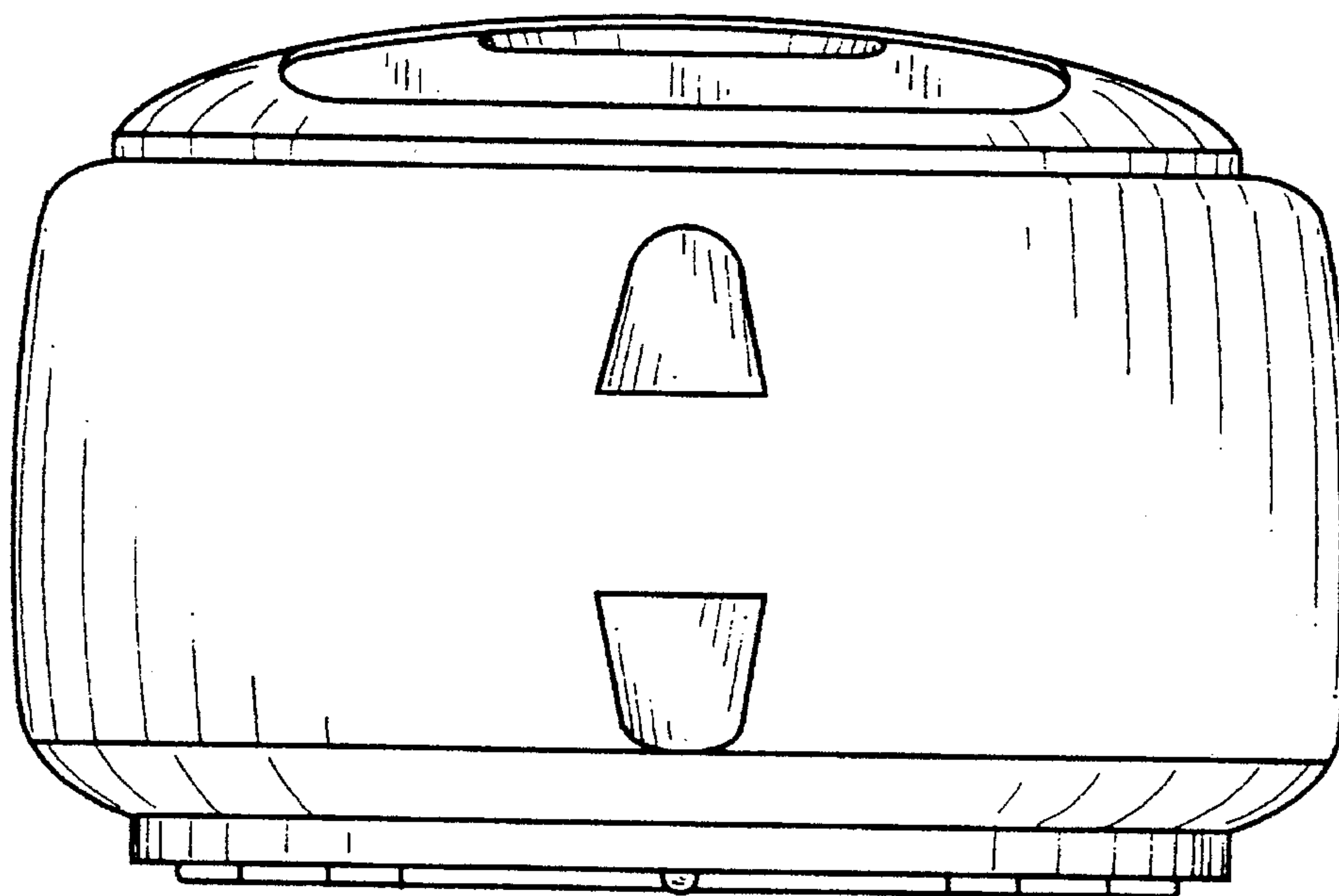


FIG. 5



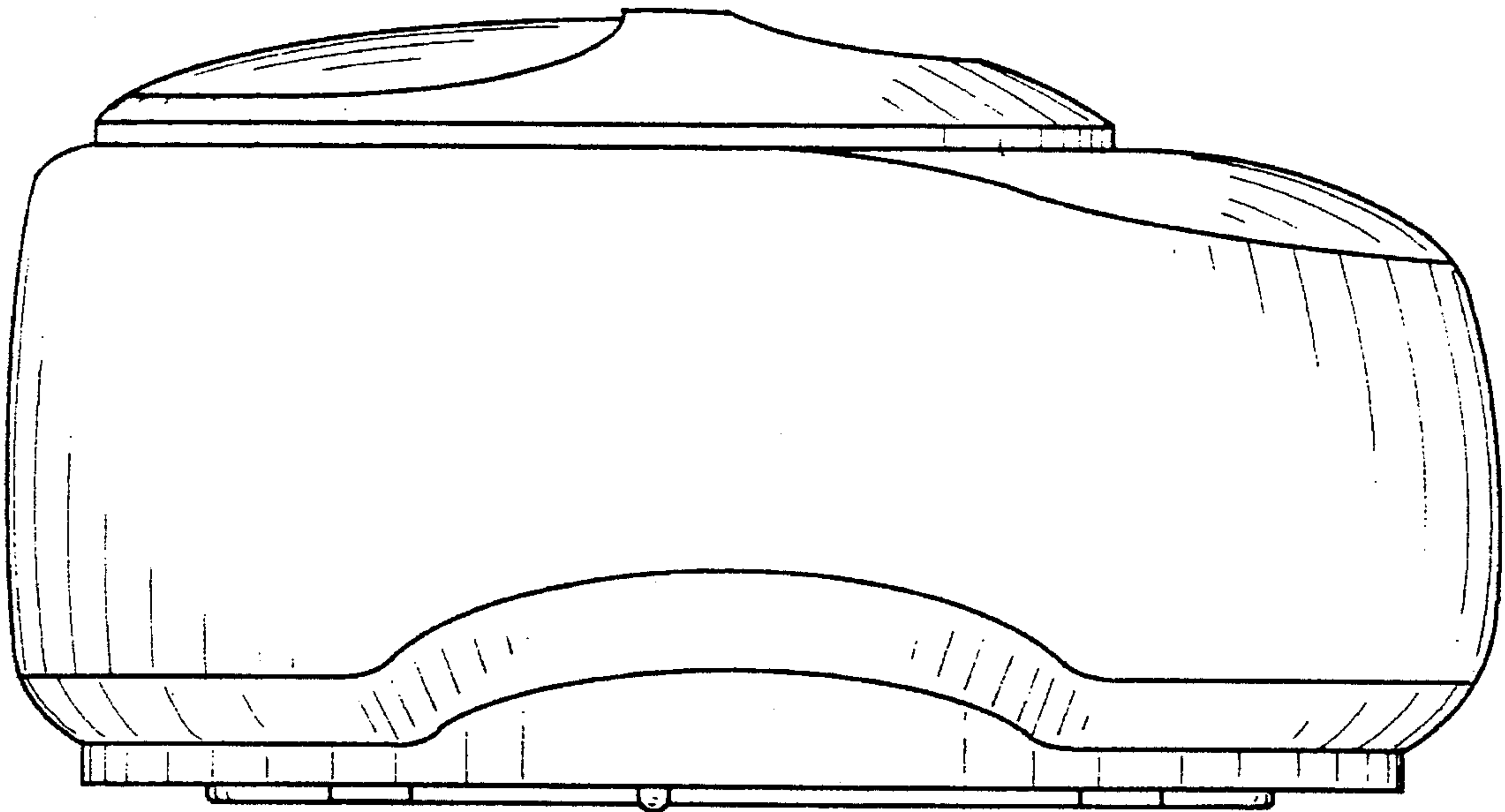


FIG. 6

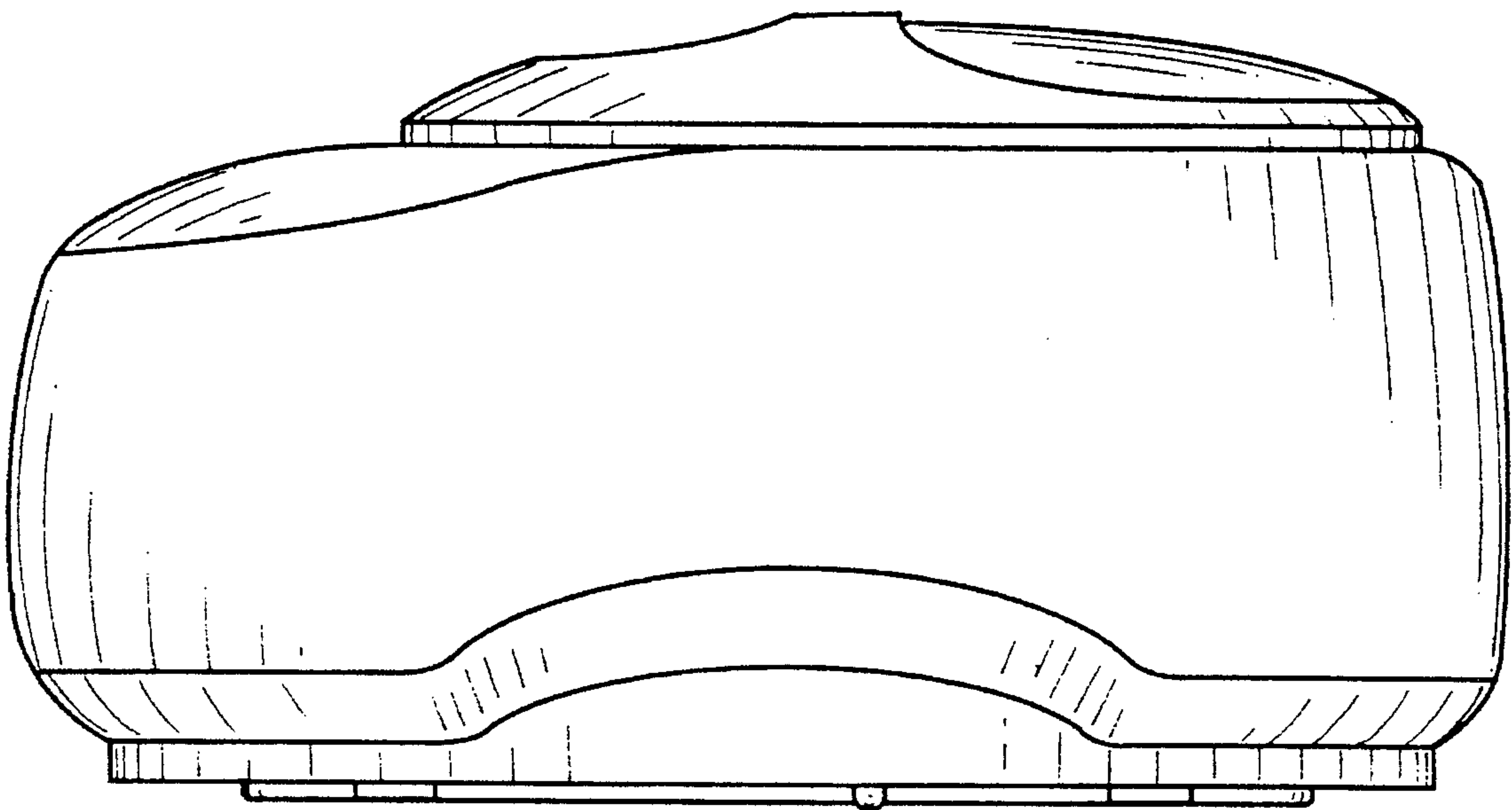


FIG. 7