



US00D374922S

United States Patent [19]
Moore

[11] **Patent Number: Des. 374,922**
[45] **Date of Patent: **Oct. 22, 1996**

[54] **HUMIDIFIER**

[75] Inventor: **Devin L. Moore**, Decatur, Ga.

[73] Assignee: **Sunbeam Products, Inc.**, Fort
Lauderdale, Fla.

[**] Term: **14 Years**

[21] Appl. No.: **45,850**

[22] Filed: **Oct. 31, 1995**

[52] U.S. Cl. **D23/356; D23/360**

[58] Field of Search **D23/356-363;**
261/91, DIG. 65; 392/403-406, 394

[56] **References Cited**

U.S. PATENT DOCUMENTS

- D. 355,961 2/1995 Cuning D23/356
- D. 364,676 11/1995 Chiu et al. D23/356

OTHER PUBLICATIONS

Bonaire Corp. Advertising Flyer, front side of Flyer.

Primary Examiner—Lisa P. Lichtenstein

Attorney, Agent, or Firm—Michael J. Kline; Carol I. Bordas

[57] **CLAIM**

The ornamental design for a humidifier, as shown.

DESCRIPTION

FIG. 1 is a top left front perspective view of a humidifier showing my new design;

FIG. 2 is a top plan view thereof;

FIG. 3 is a bottom plan view thereof;

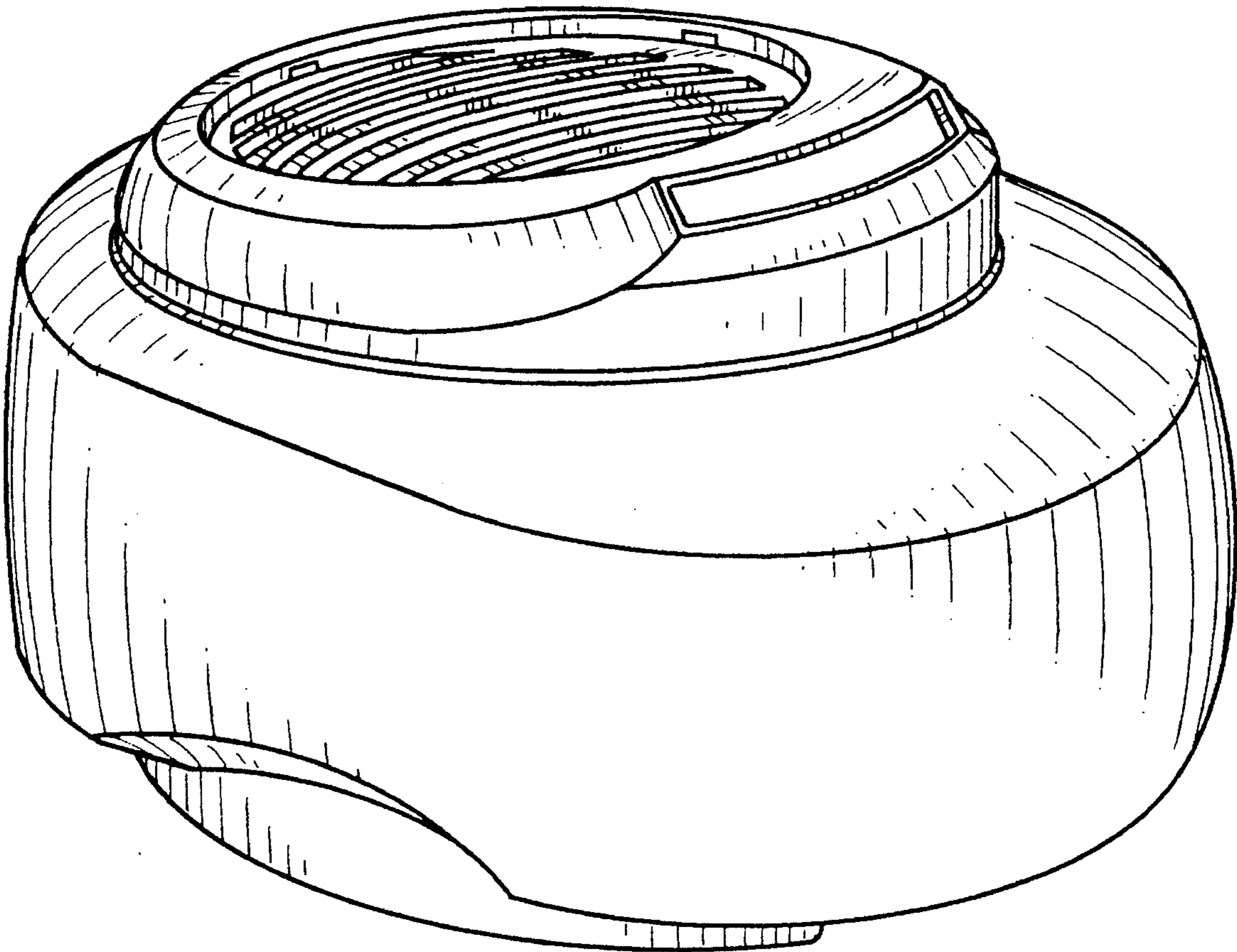
FIG. 4 is a front elevational view thereof;

FIG. 5 is a rear elevational view thereof;

FIG. 6 is a left side elevational view thereof; and,

FIG. 7 is a right side elevational view thereof.

1 Claim, 4 Drawing Sheets



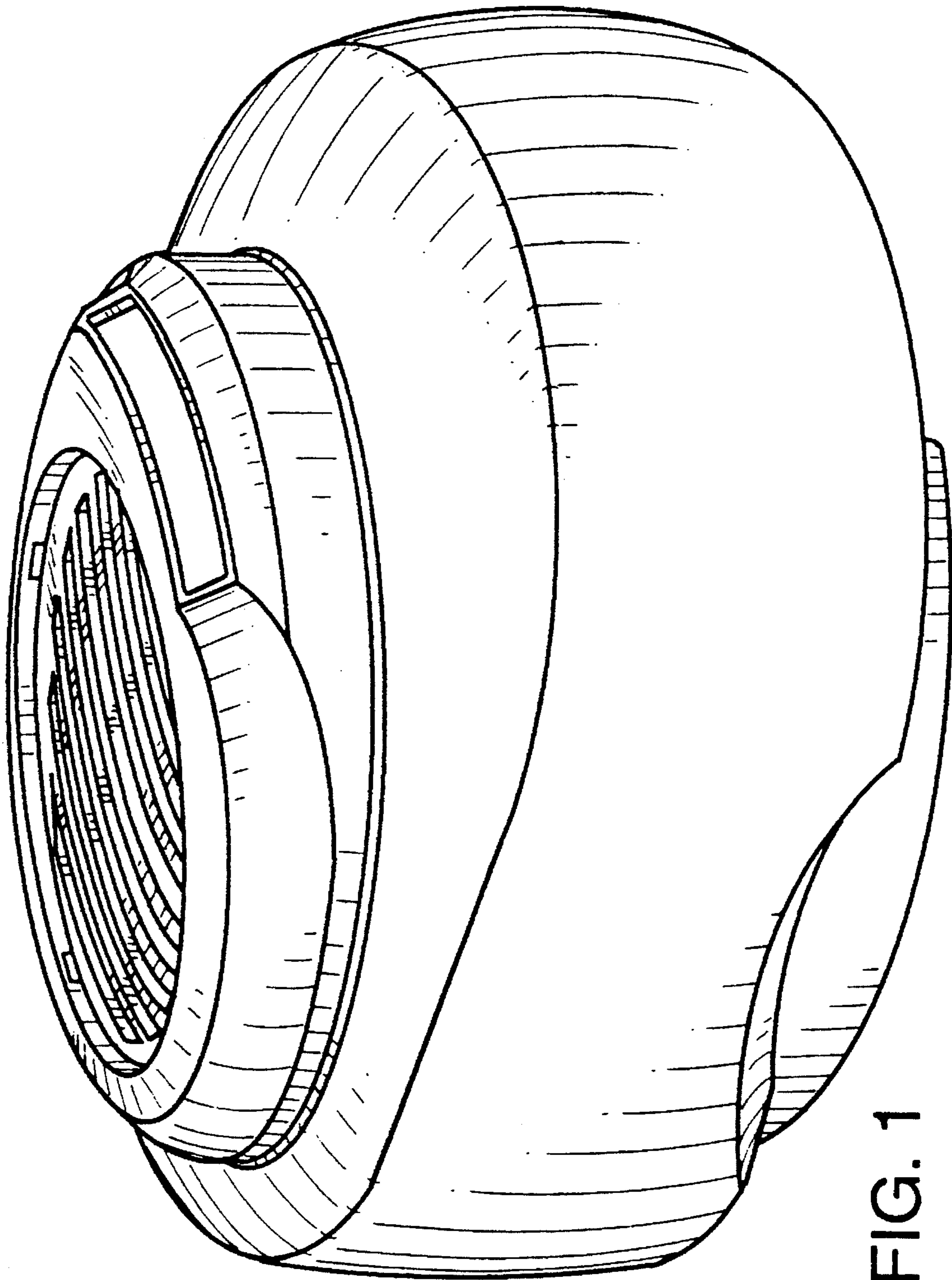


FIG. 1

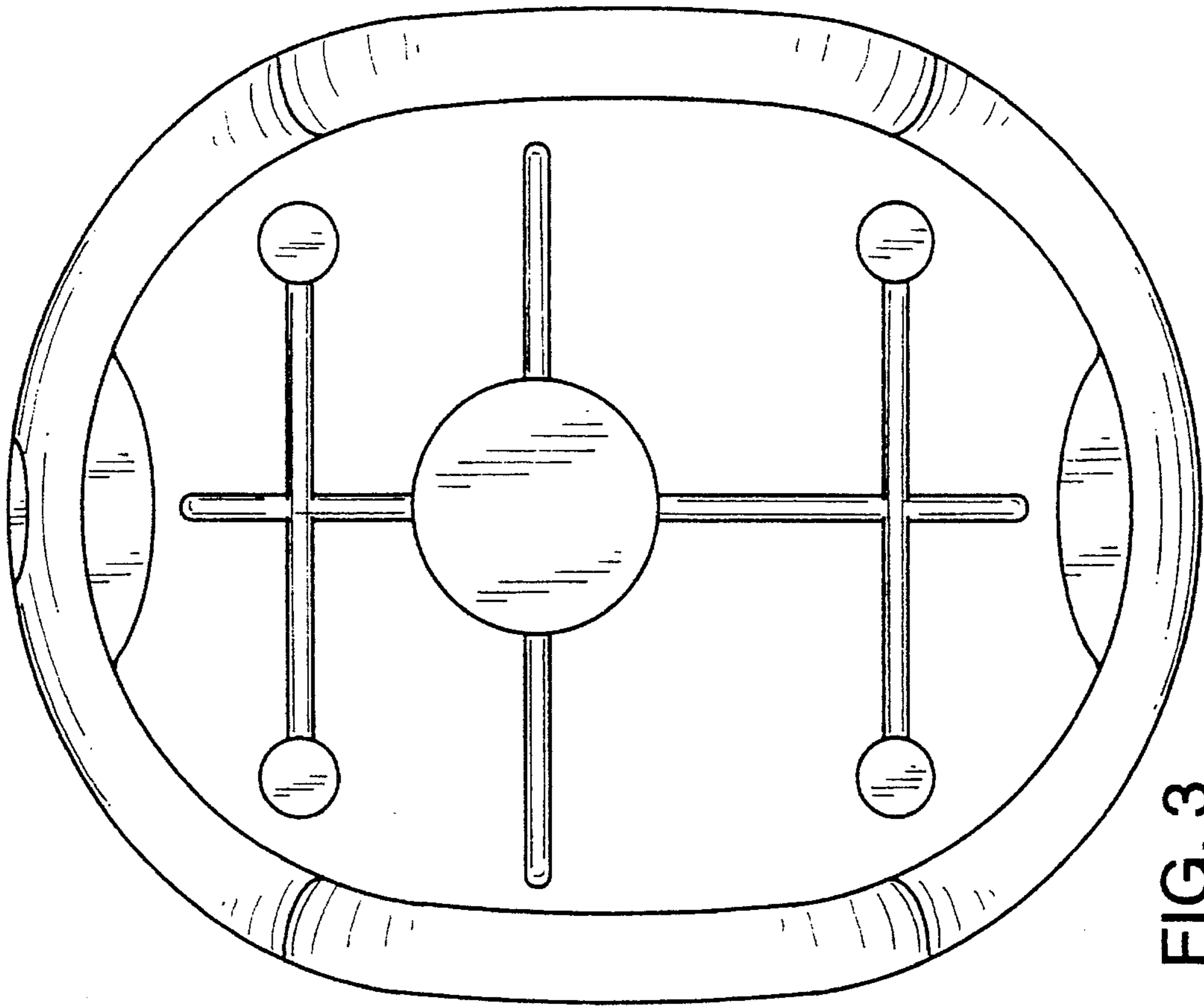


FIG. 3

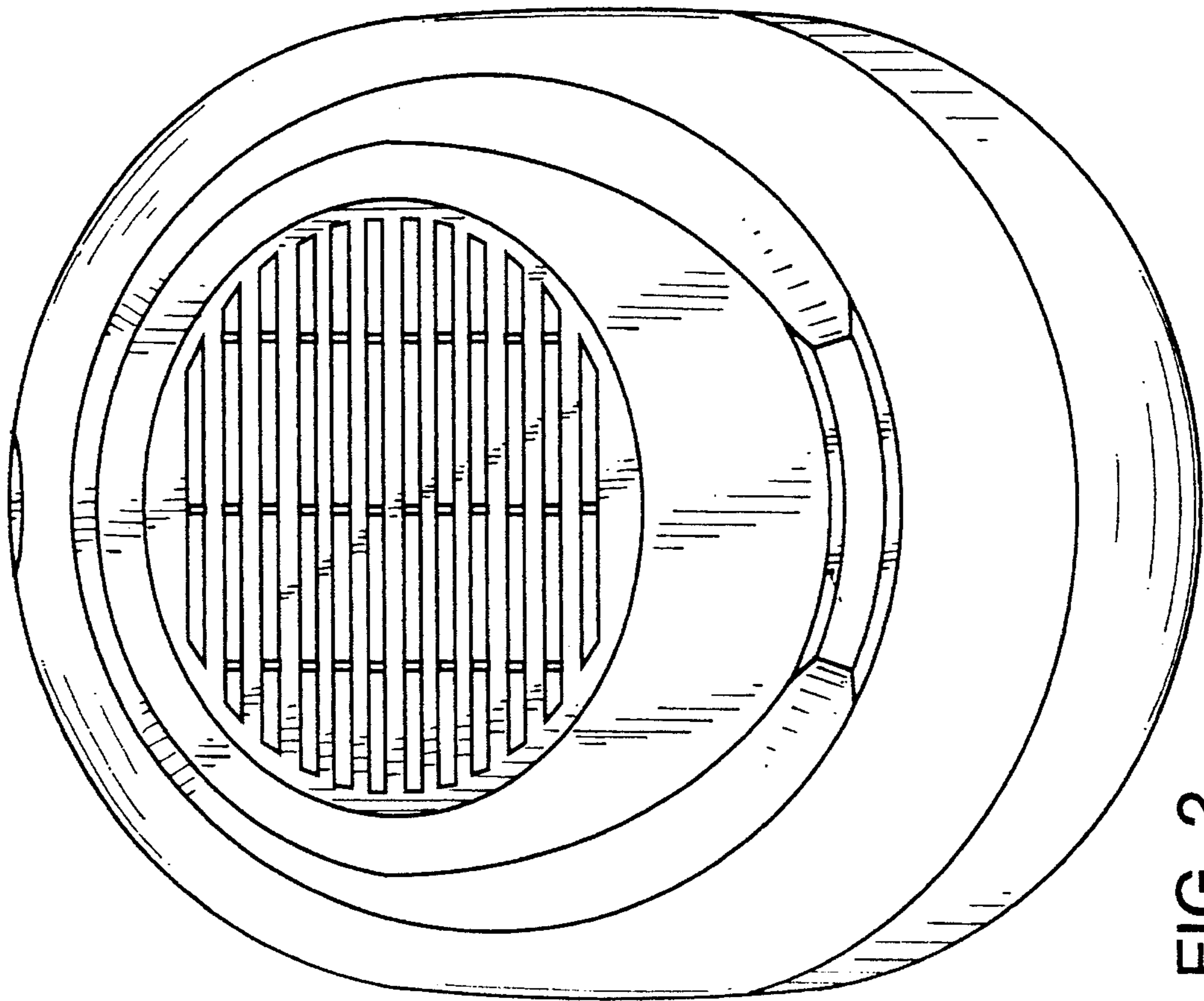


FIG. 2

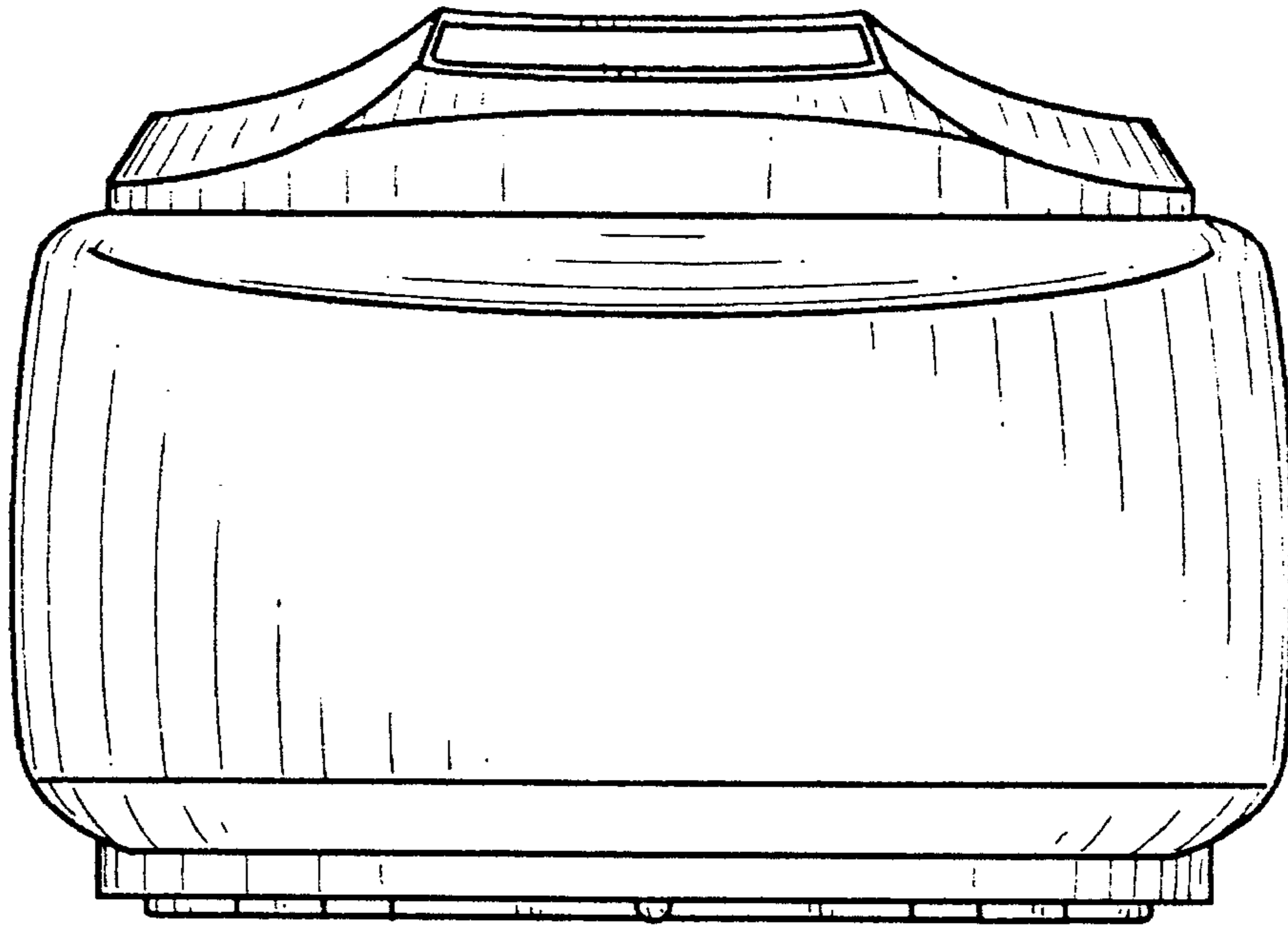


FIG. 4

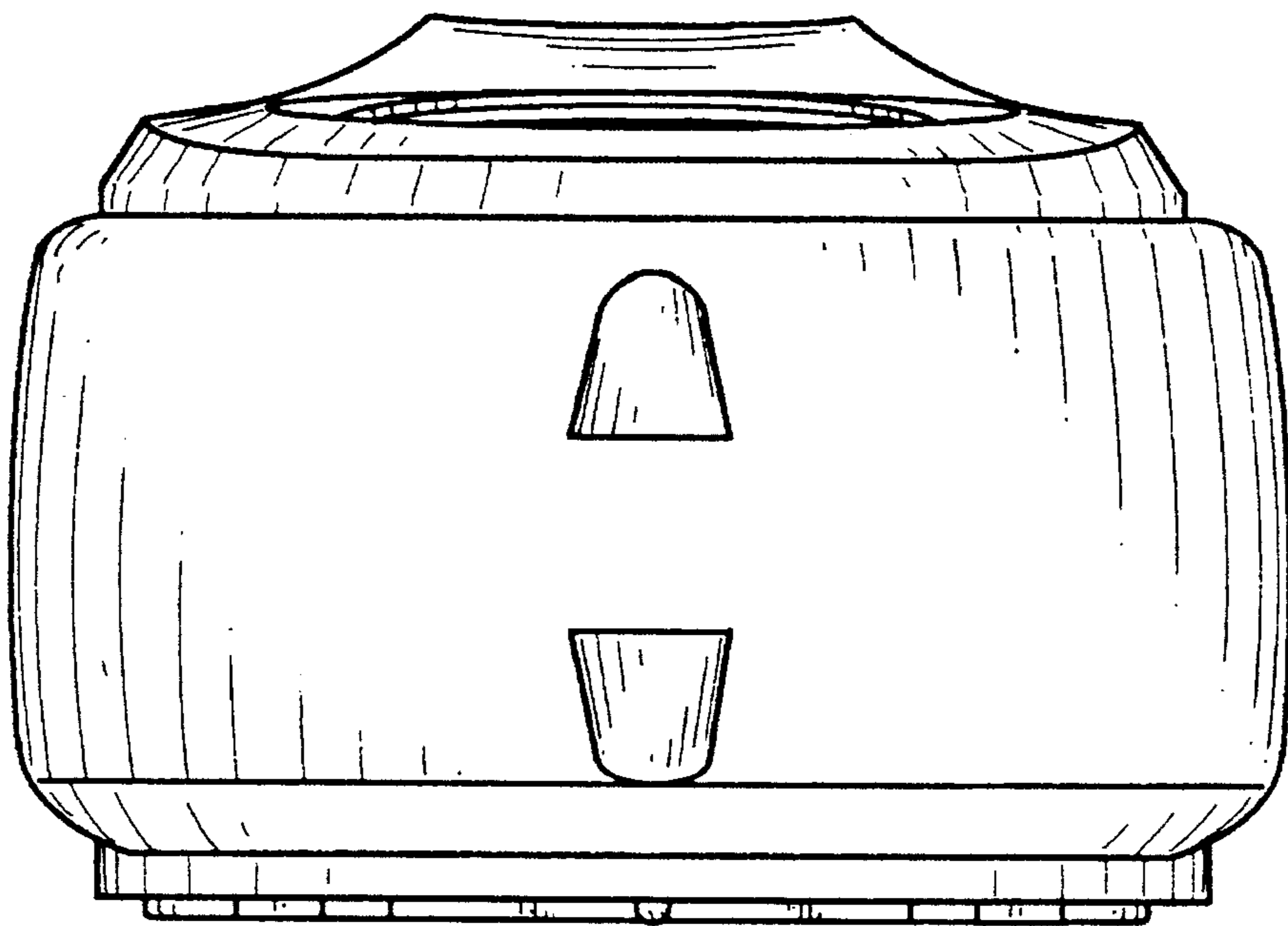


FIG. 5

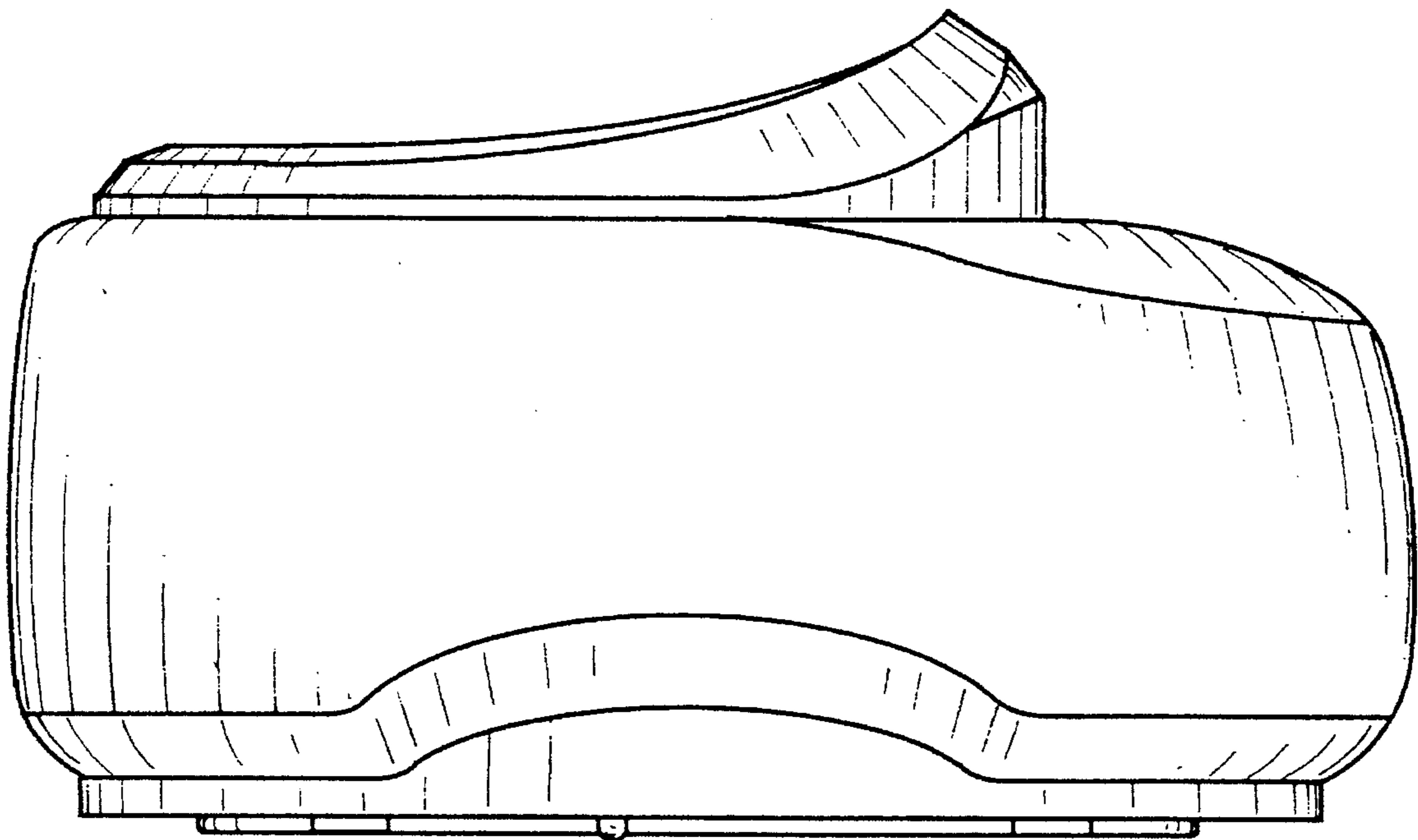


FIG. 6

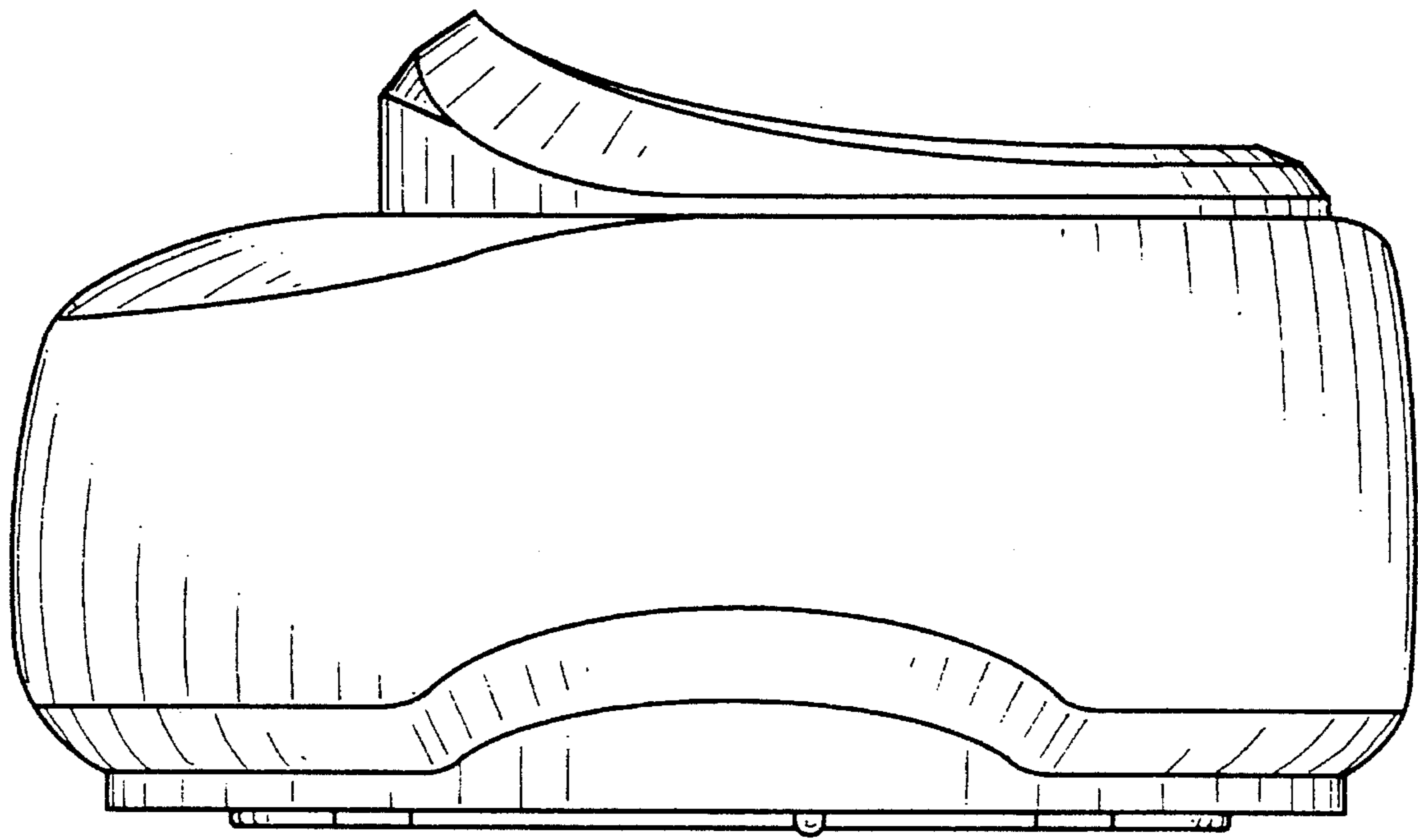


FIG. 7