



US00D374919S

United States Patent [19]

Samuelson

[11] Patent Number: **Des. 374,919**

[45] Date of Patent: ****Oct. 22, 1996**

[54] **TOILET SEAT HANDLE**

[76] Inventor: **Shel L. Samuelson**, 14 Lookout Dr.,
Ledgewood, N.J. 07852

[**] Term: **14 Years**

[21] Appl. No.: **44,243**

[22] Filed: **Sep. 21, 1995**

[52] U.S. Cl. **D23/309**; D23/303

[58] Field of Search D23/295-299,
D23/302-311; 4/233-239, 217, 242, 246.1,
661; D8/300, 307, 305, 317; D10/35; D19/65

[56] **References Cited**

U.S. PATENT DOCUMENTS

D. 259,108	5/1981	Holler, III	D10/65
D. 288,471	2/1987	Gladstone	D23/71
D. 309,091	12/1987	Shepard	D8/305
D. 314,322	2/1991	Burghoff	D8/307
D. 314,712	2/1991	Kunz	D10/65
D. 324,161	2/1992	MacRitchie	D8/307
D. 325,510	4/1992	Slye	D8/307
D. 326,599	6/1992	Callahan	D8/307
D. 329,186	9/1992	Sorensen	D8/307
D. 329,187	9/1992	Sorensen	D8/307
D. 340,399	10/1993	Paglia	D8/317
D. 340,635	10/1993	Paglia	D8/317
1,458,152	6/1923	Schenck	D10/65
2,923,061	2/1960	Dolgorukov	D10/65
4,742,582	5/1988	Giallourakis	4/251
4,805,246	2/1989	De Vargas	4/251
4,875,251	10/1989	Hazard	16/111
4,920,586	5/1990	Giallourakis	4/251
5,058,215	10/1991	Sims	4/251
5,086,523	2/1992	De Mott	4/251

Assistant Examiner—G. Andoll

Attorney, Agent, or Firm—Thomas L. Adams, Esq.

[57] **CLAIM**

The ornamental design for a toilet seat handle, as shown and described.

DESCRIPTION

FIG. 1 is an upper axonometric view of a toilet seat handle showing my new design;
 FIG. 2 is a lower axonometric view thereof;
 FIG. 3 is a top plan view thereof;
 FIG. 4 is a bottom plan view thereof;
 FIG. 5 is a front elevational view thereof;
 FIG. 6 is a rear elevational view thereof;
 FIG. 7 is a left side elevational view thereof, the right side elevational view being a mirror image thereof;
 FIG. 8 is an upper axonometric view of a second embodiment of a toilet seat handle showing my new design;
 FIG. 9 is a lower axonometric view thereof;
 FIG. 10 is a top plan view thereof;
 FIG. 11 is a bottom plan view thereof;
 FIG. 12 is a front elevational view thereof;
 FIG. 13 is a rear elevational view thereof;
 FIG. 14 is a left side elevational view thereof, the right side elevational view being a mirror image thereof;
 FIG. 15 is an upper axonometric view of a third embodiment of a toilet seat handle showing my new design;
 FIG. 16 is a lower axonometric view thereof;
 FIG. 17 is a top plan view thereof;
 FIG. 18 is a bottom plan view thereof;
 FIG. 19 is a front elevational view thereof;
 FIG. 20 is a rear elevational view thereof; and,
 FIG. 21 is a left side elevational view thereof, the right side elevational view being a mirror image thereof.

Primary Examiner—Stella Reid

1 Claim, 5 Drawing Sheets

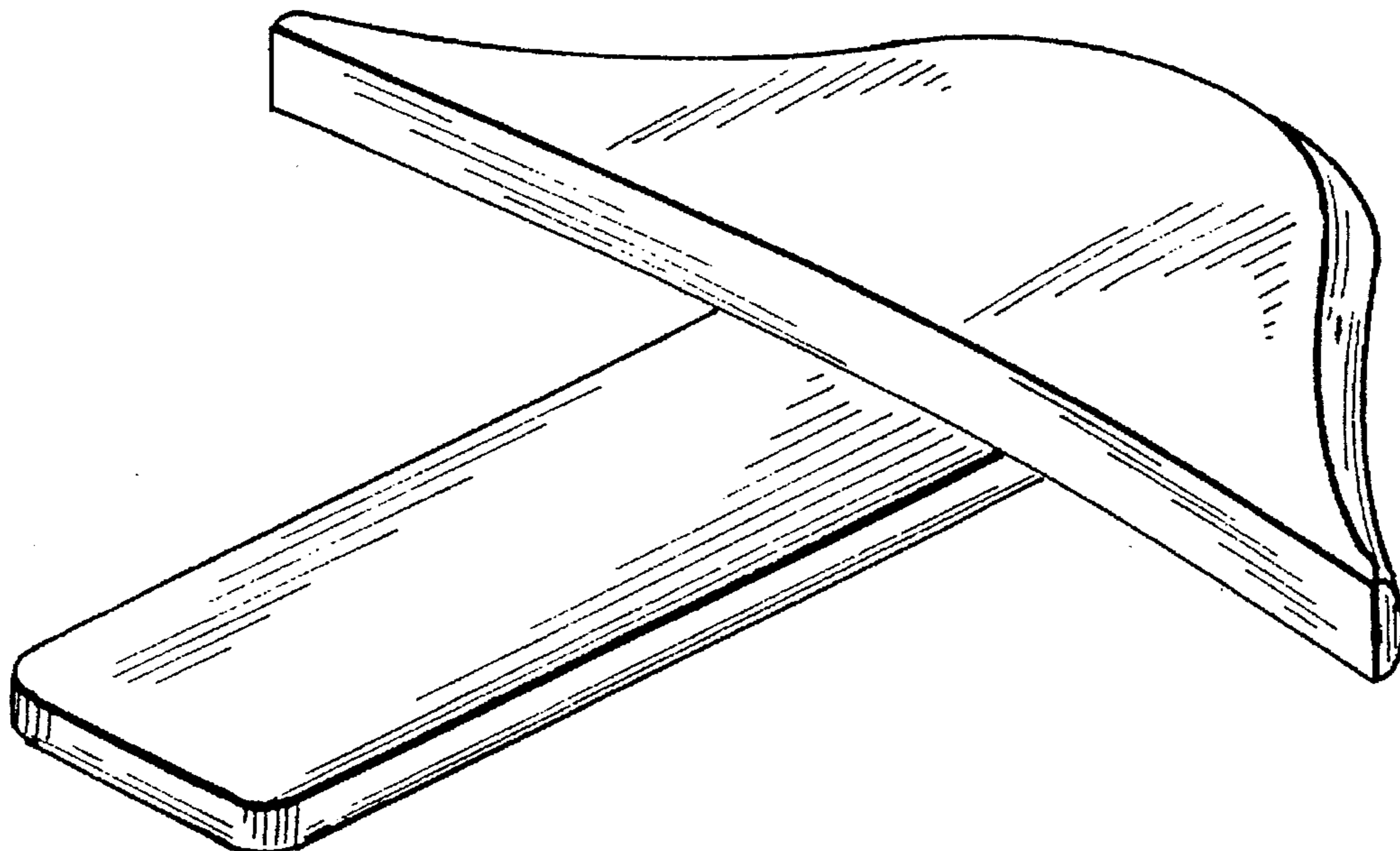


FIG. 1

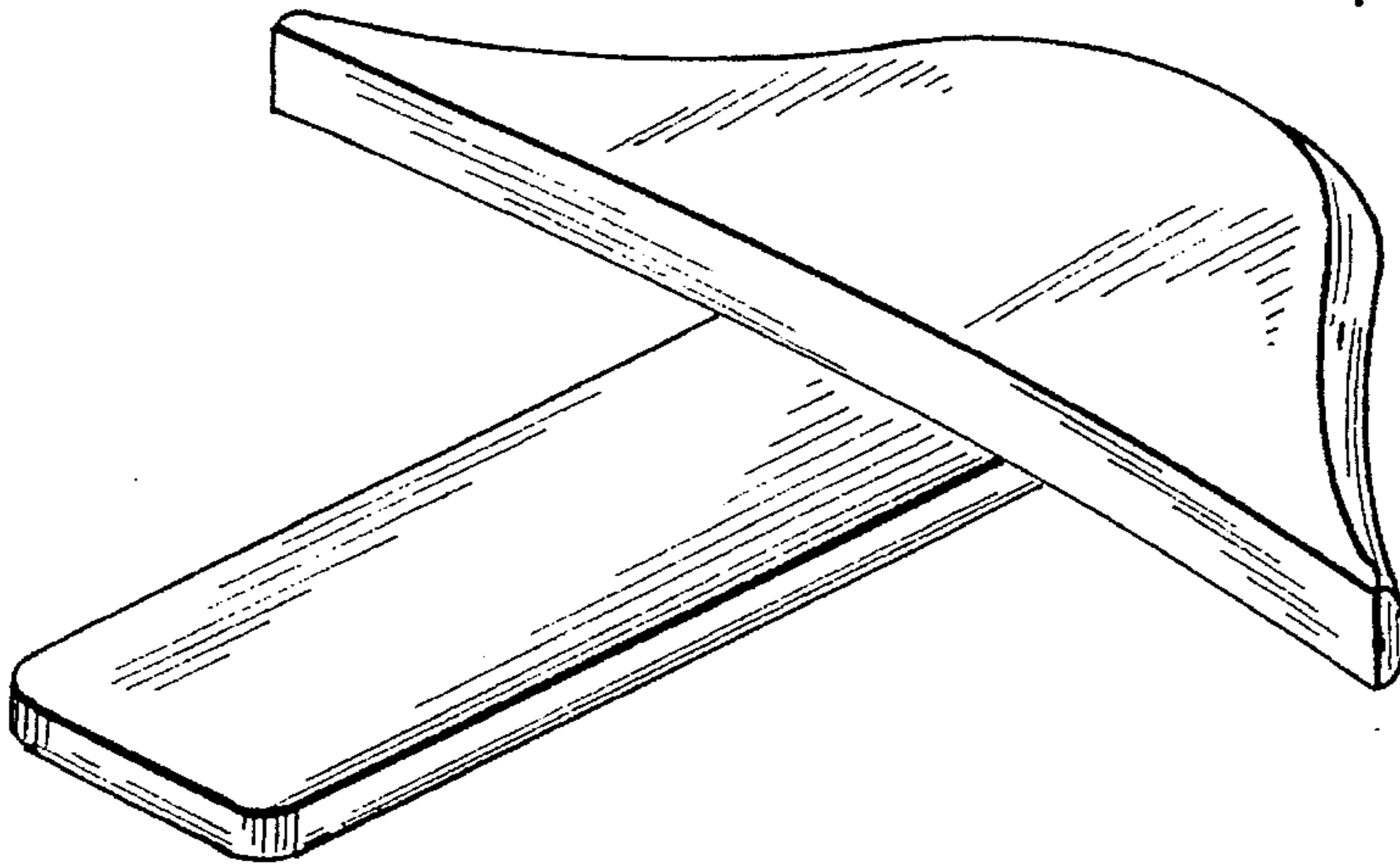


FIG. 2

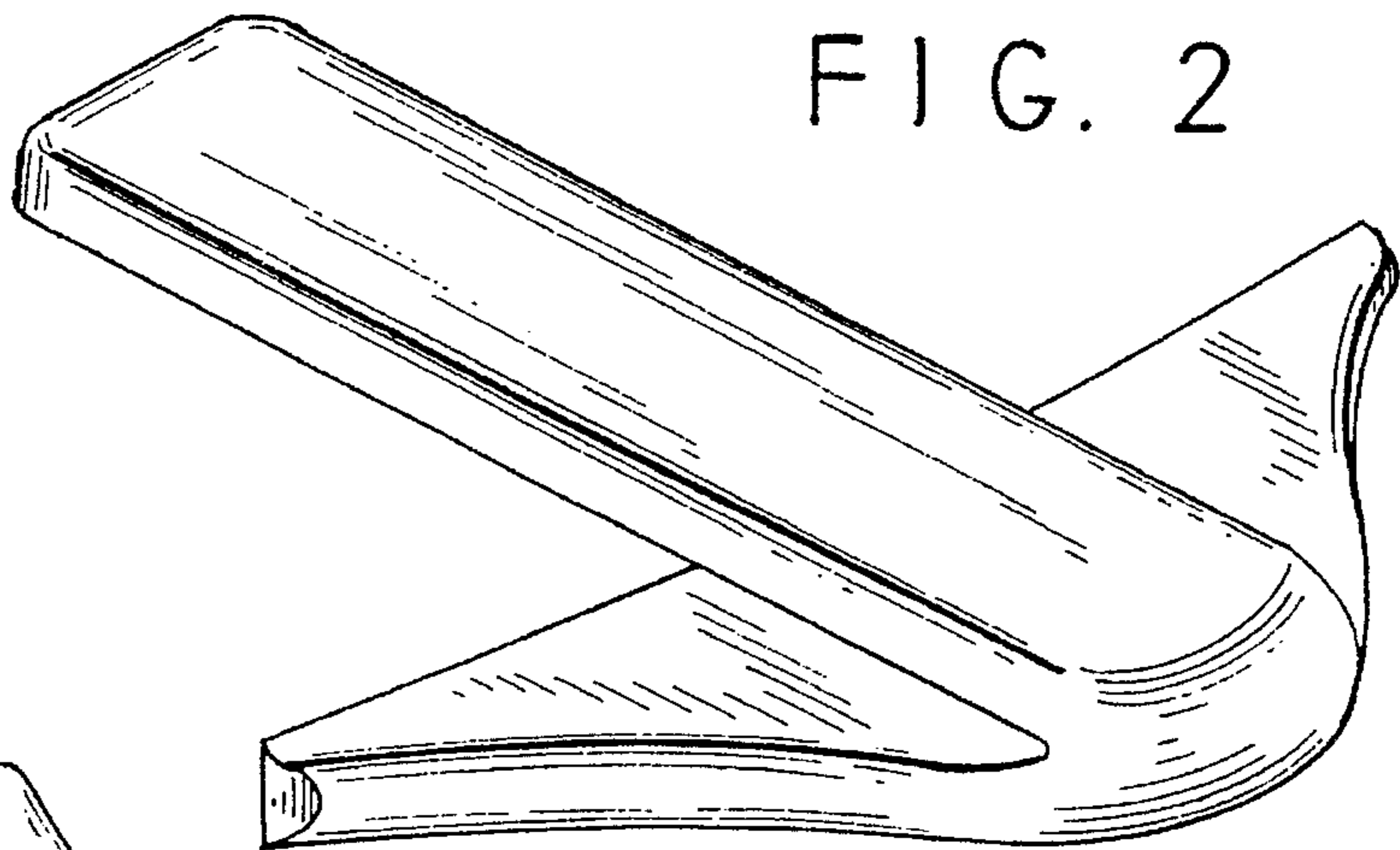


FIG. 3

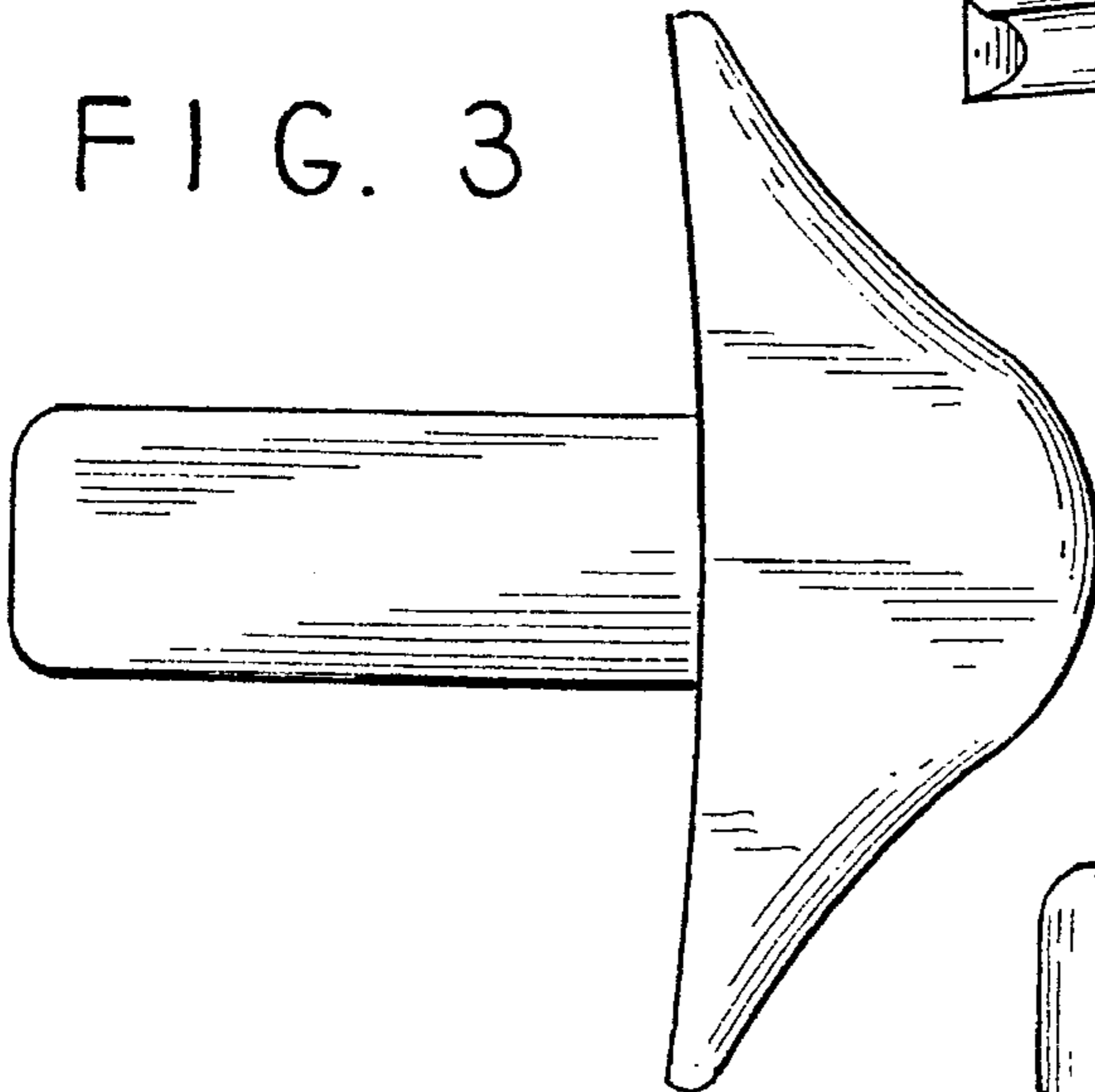


FIG. 4

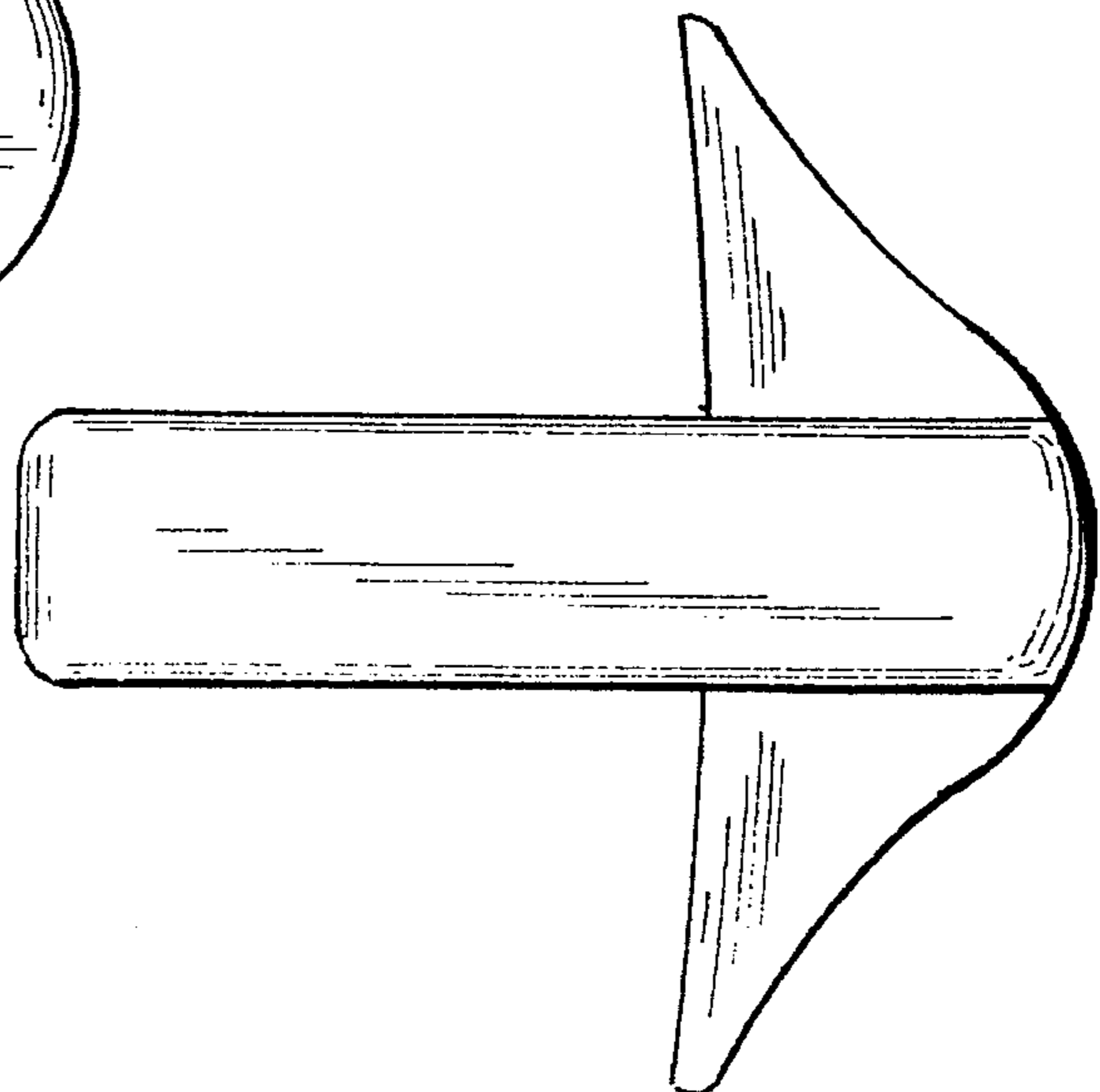


FIG. 5

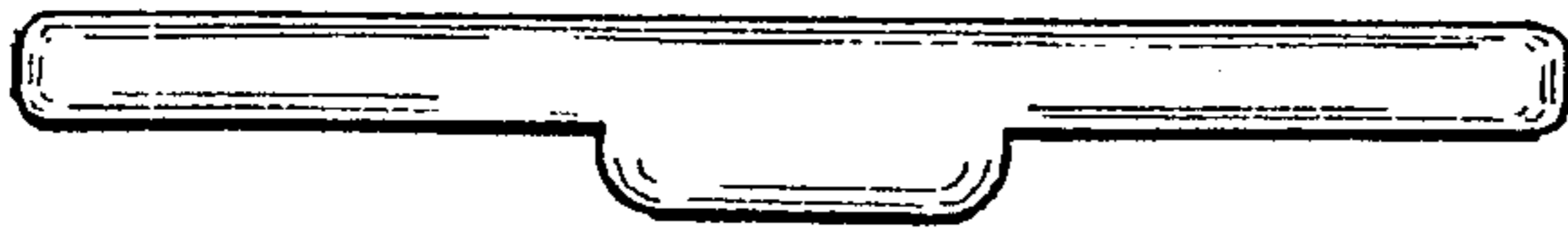


FIG. 6

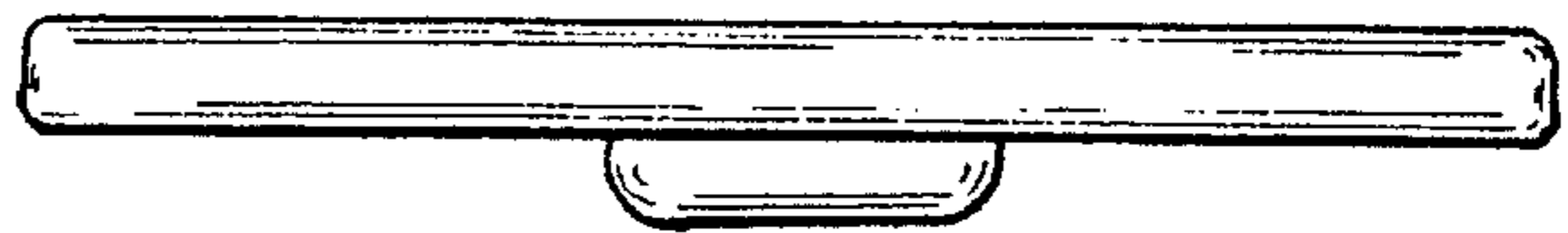


FIG. 7

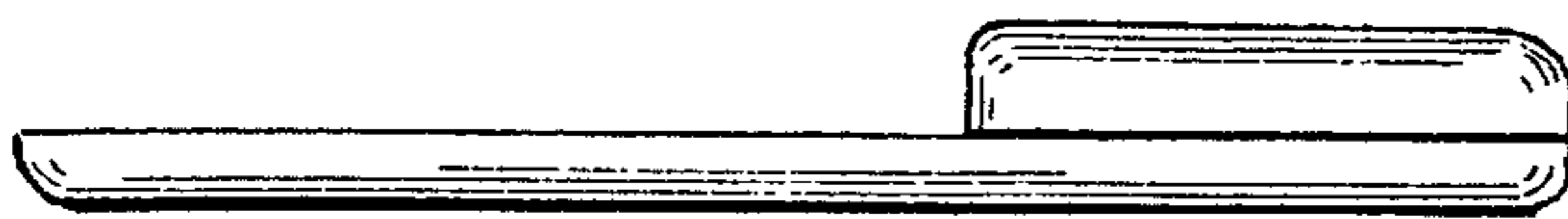


FIG. 8

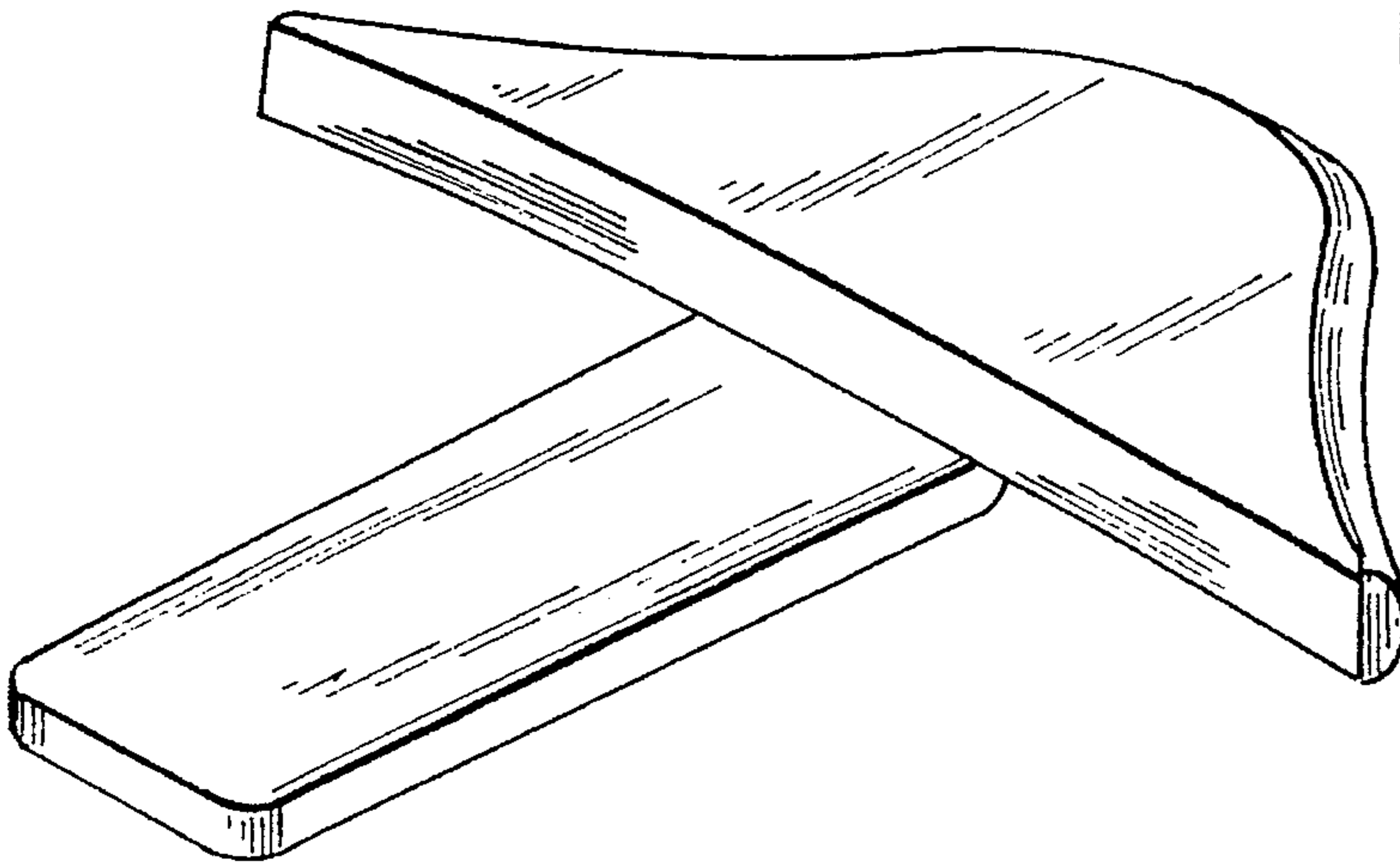


FIG. 9

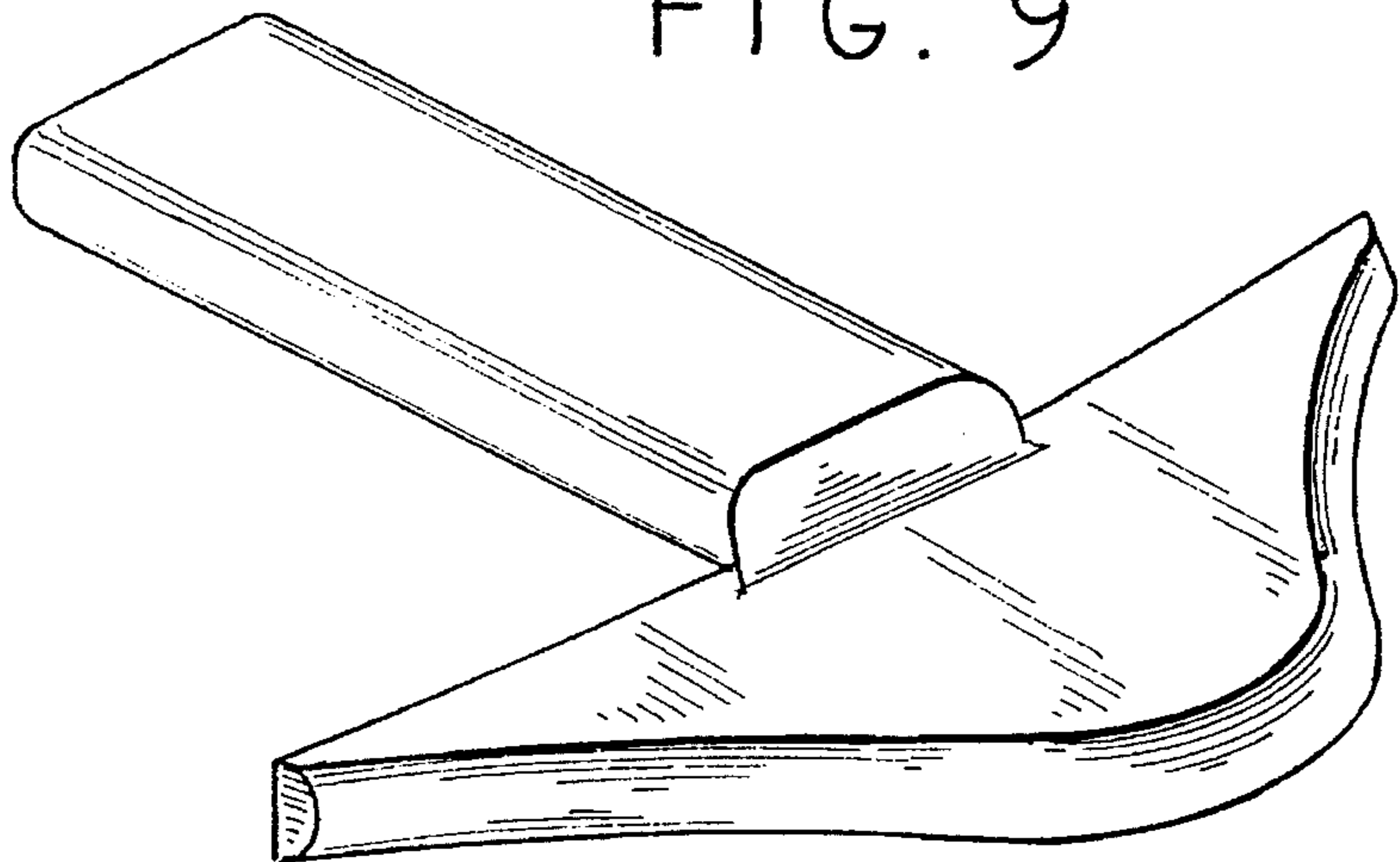


FIG. 10

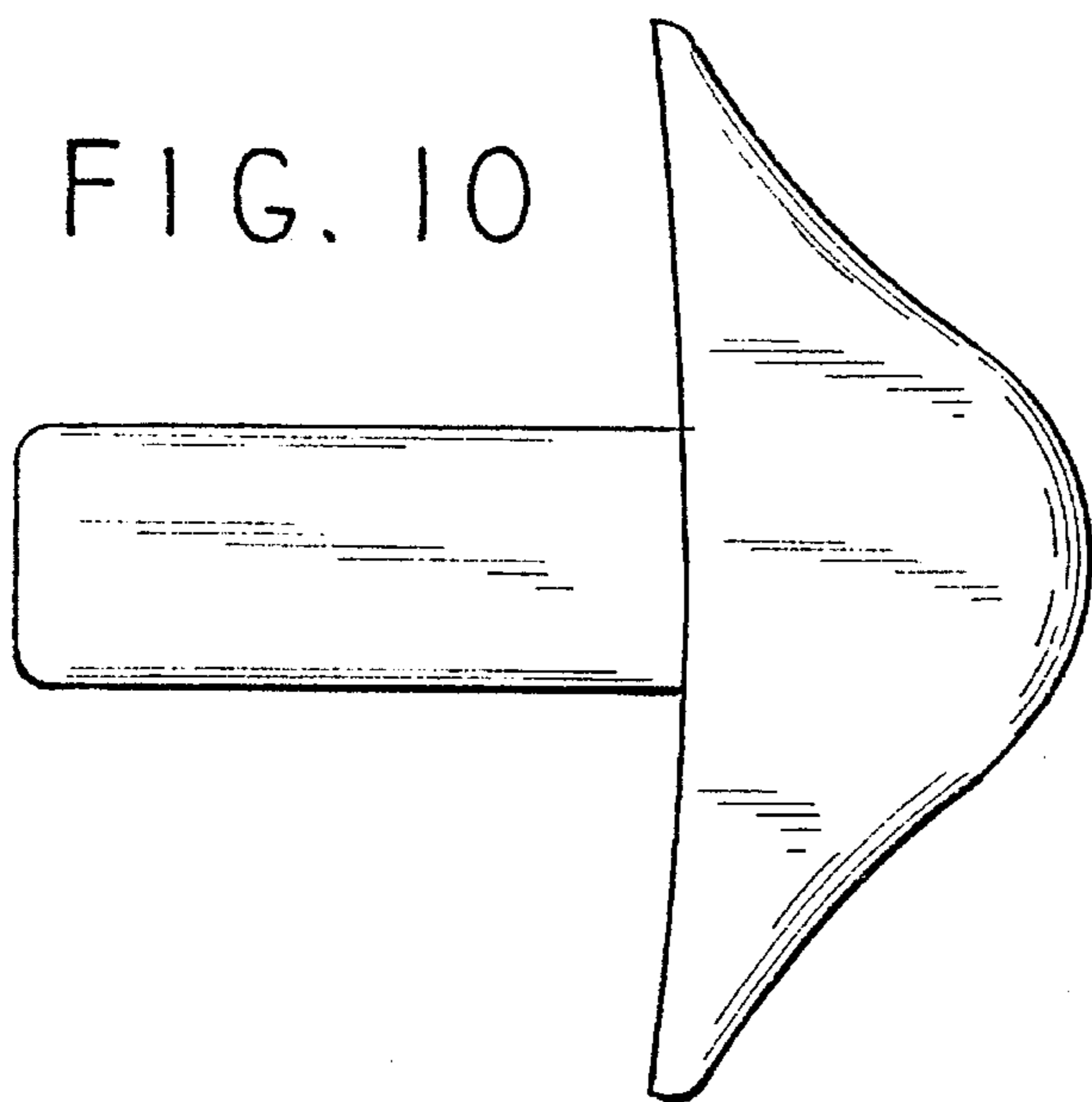


FIG. 11

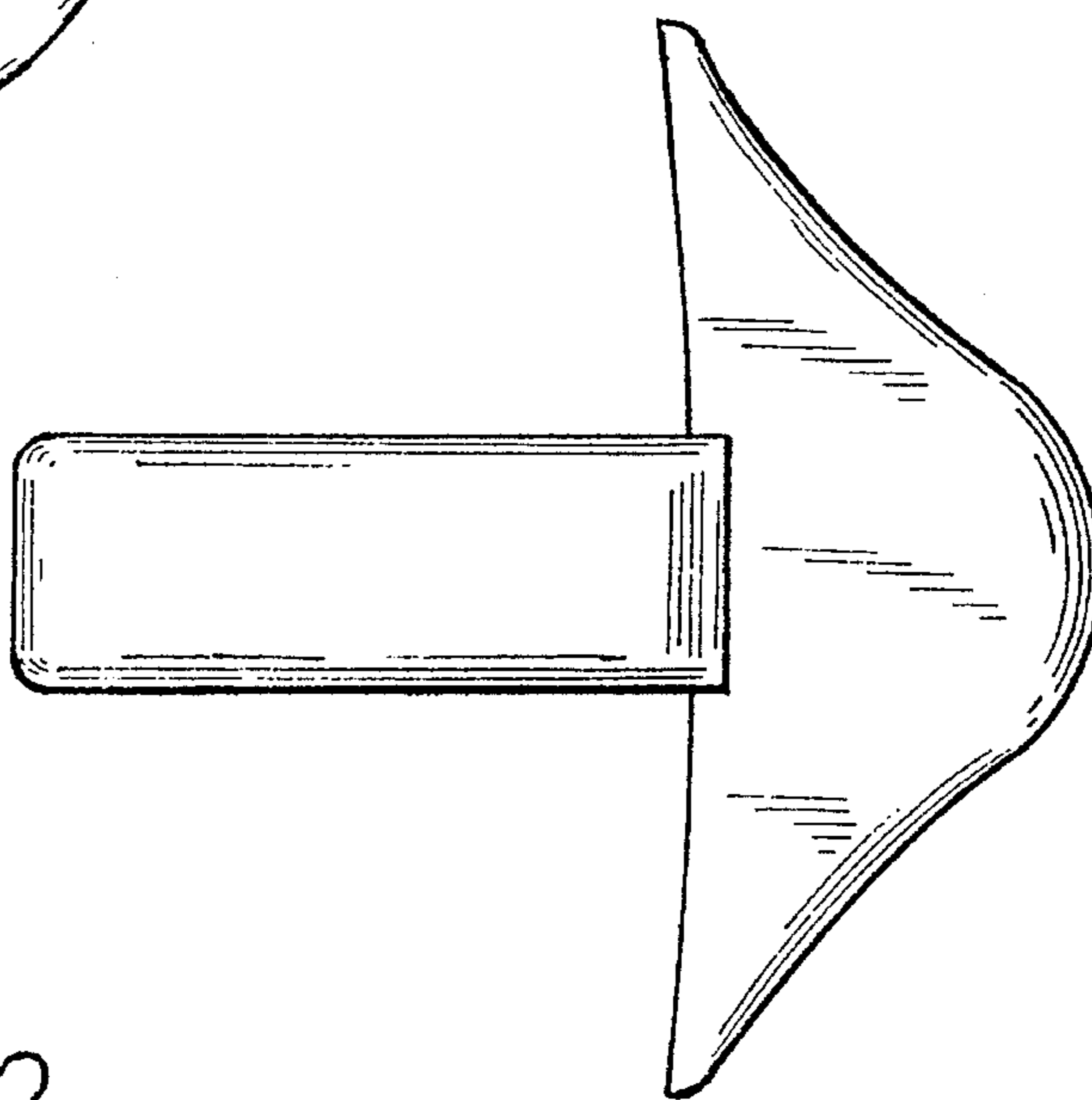


FIG. 12

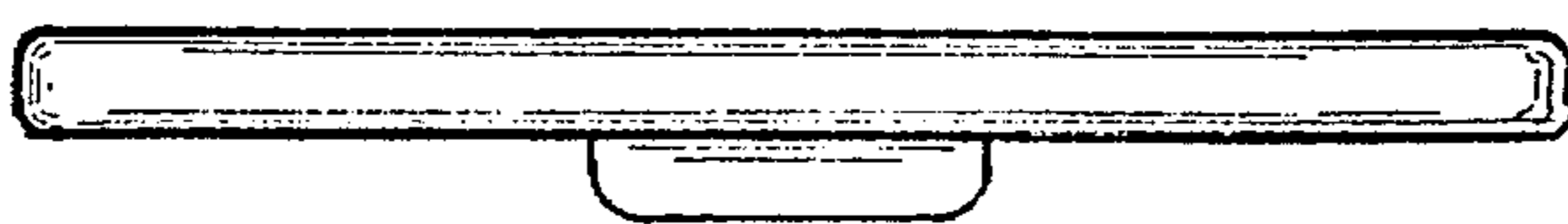


FIG. 13

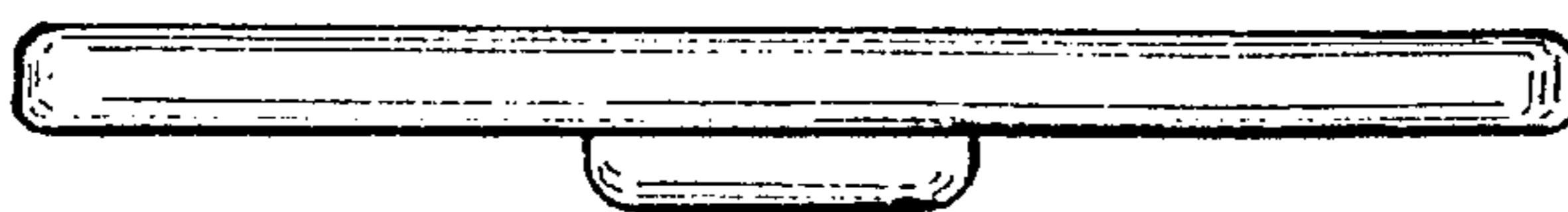


FIG. 14

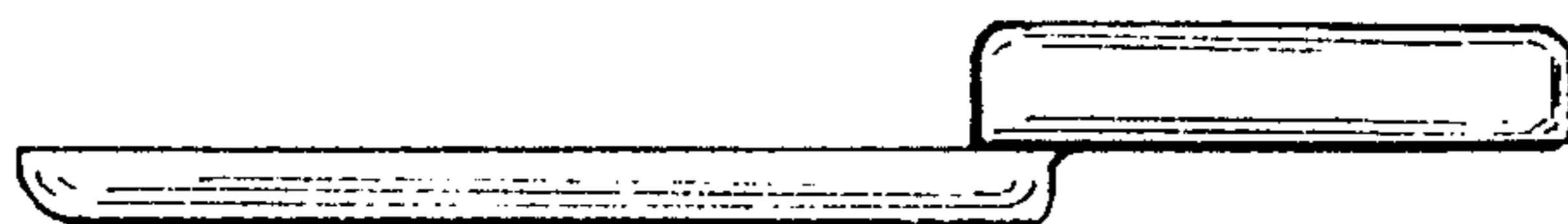


FIG. 15

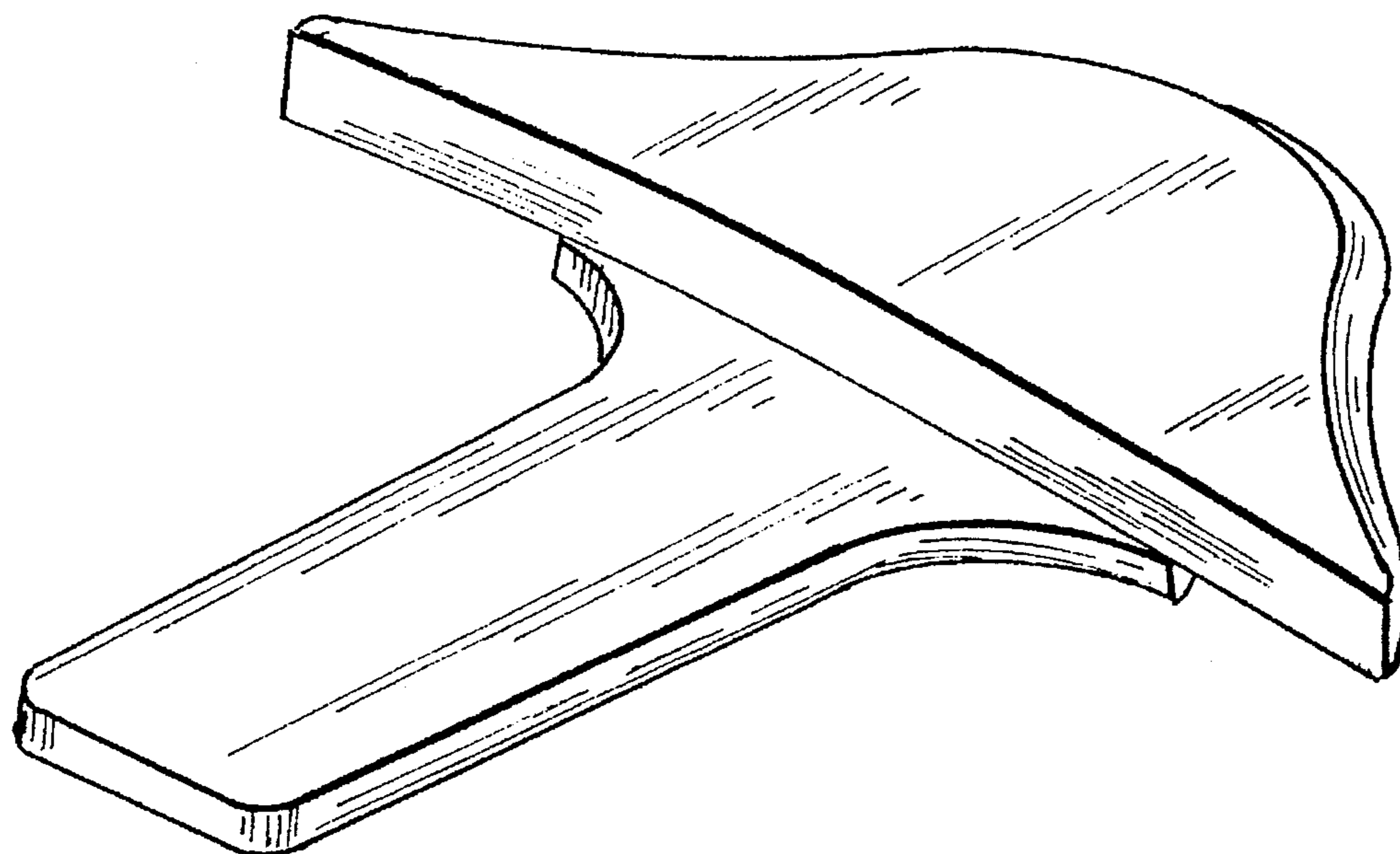


FIG. 16

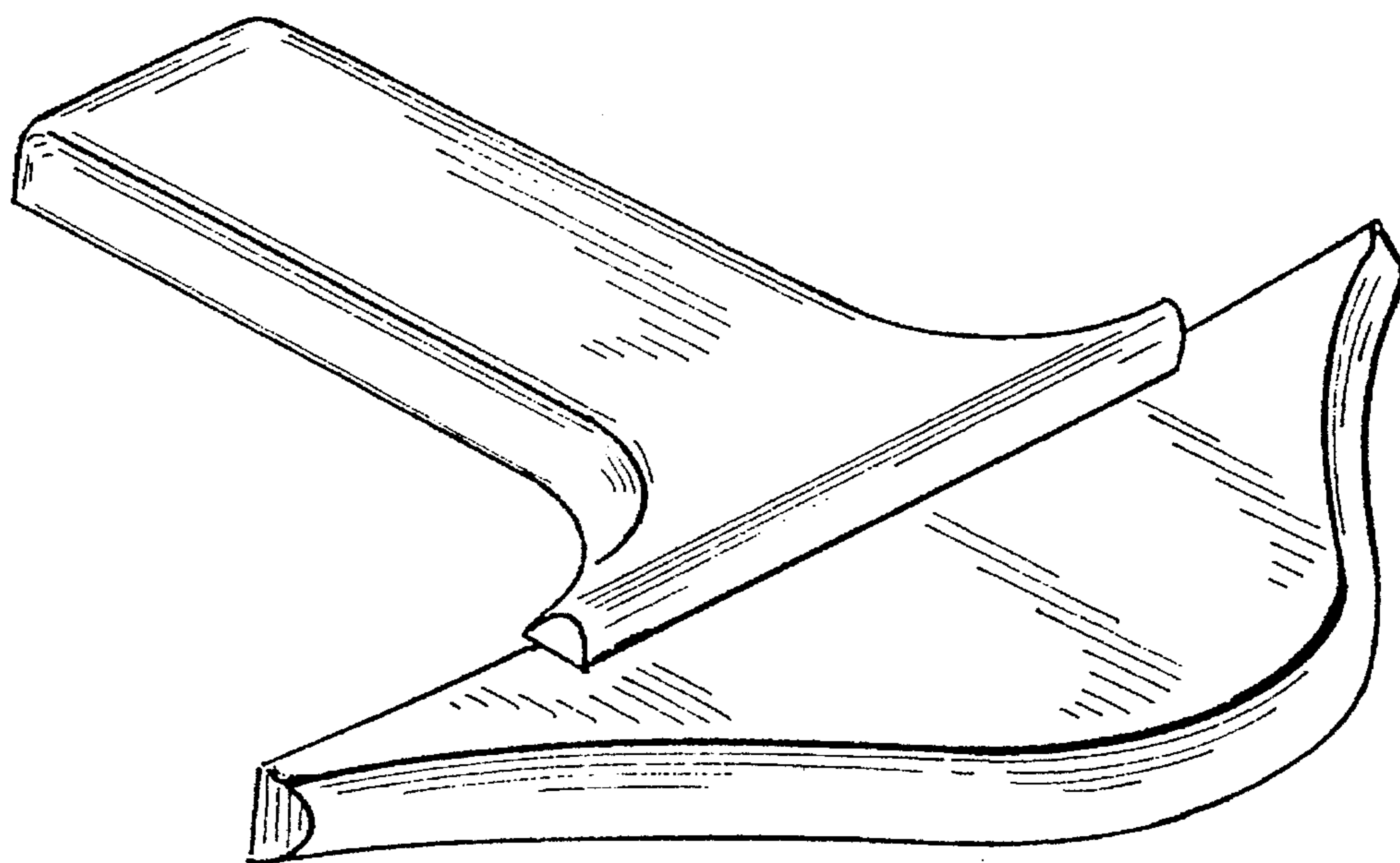


FIG. 17

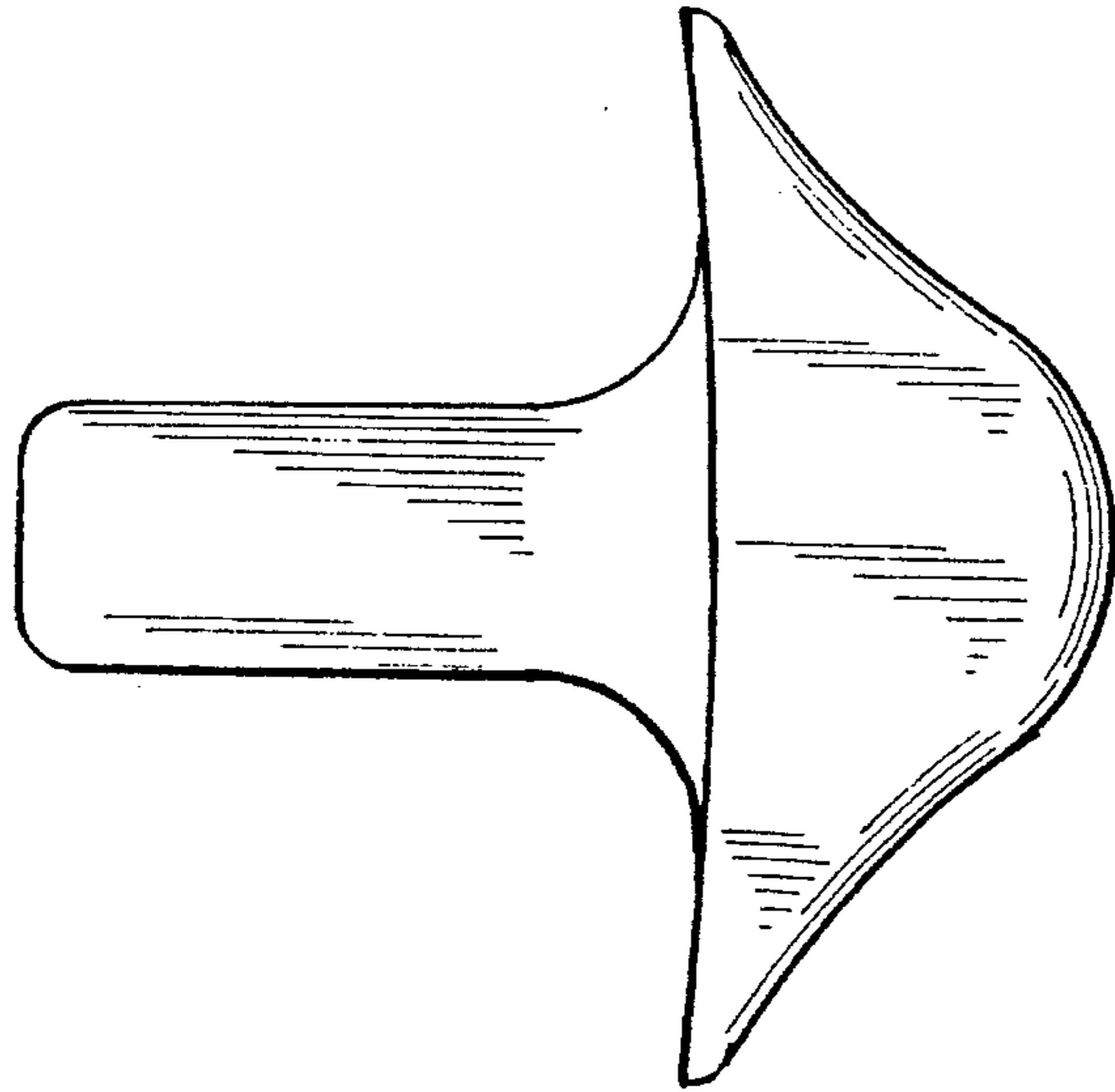


FIG. 18

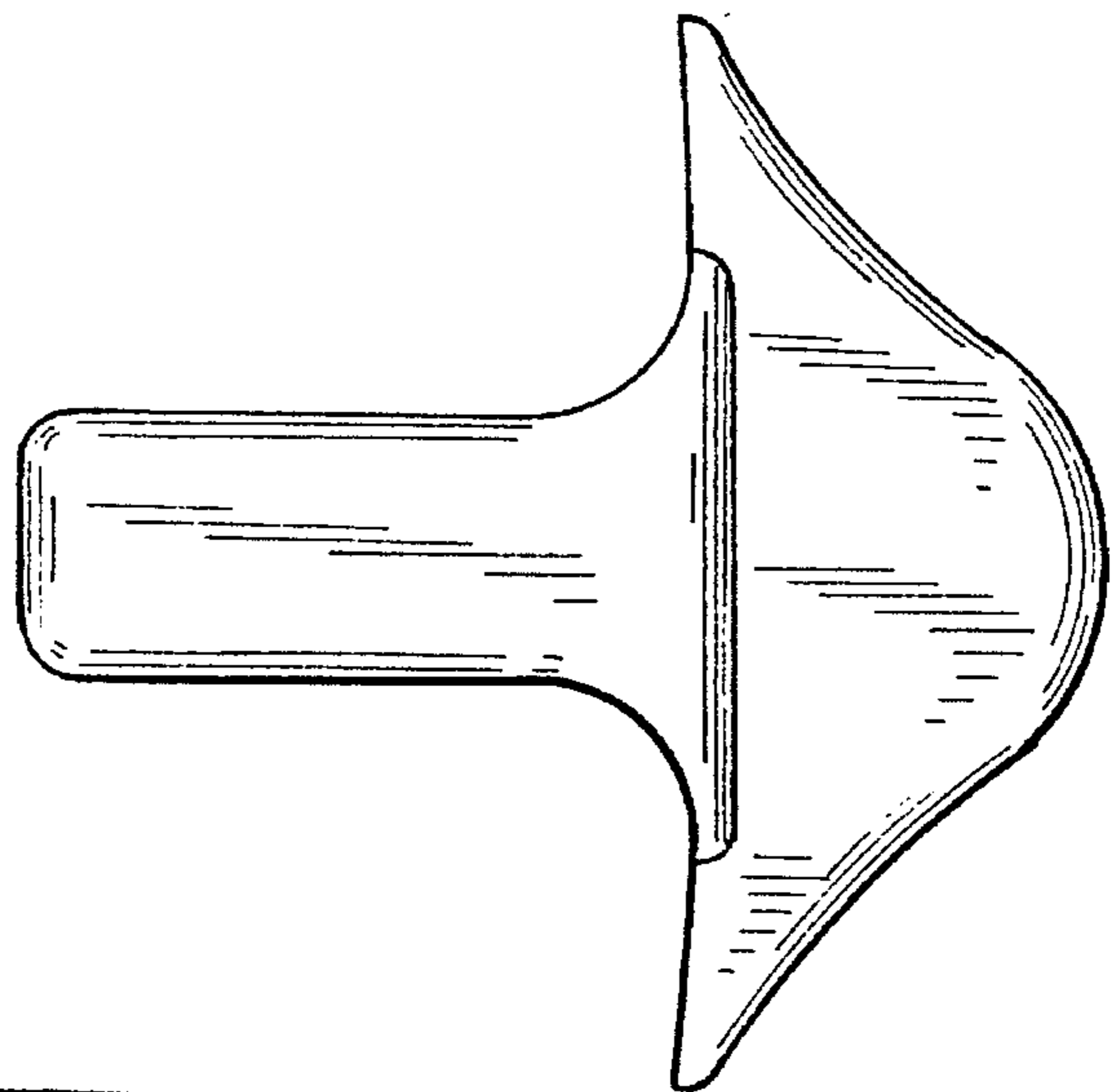


FIG. 19

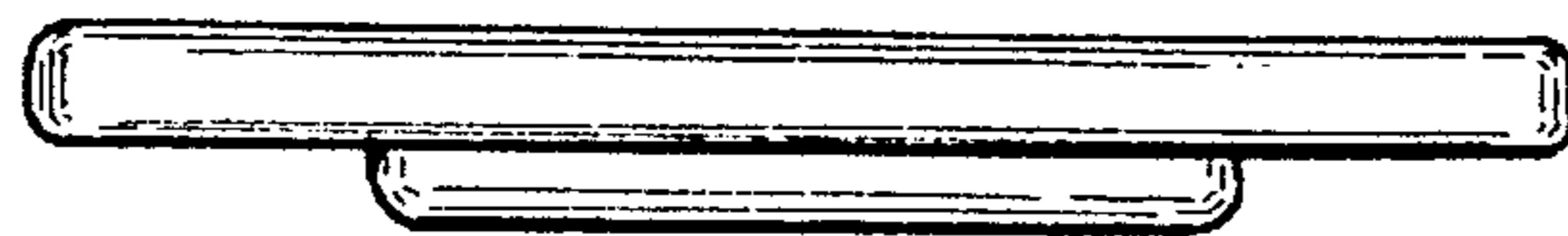


FIG. 20

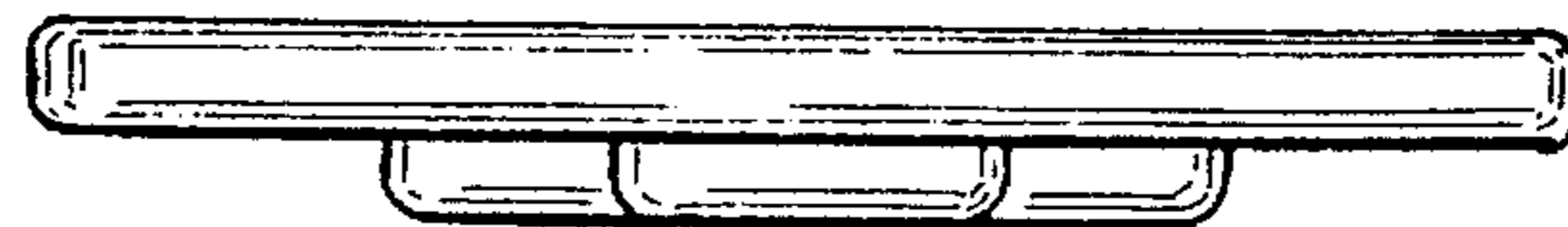


FIG. 21

