



US00D374917S

United States Patent [19]
Casden

[11] **Patent Number: Des. 374,917**

[45] **Date of Patent: **Oct. 22, 1996**

[54] **ENCLOSURE FOR A BATHTUB**

[76] Inventor: **Henry J. Casden**, 430 Weymouth Dr.,
Wyckoff, N.J. 07481

[**] Term: **14 Years**

[21] Appl. No.: **44,369**

[22] Filed: **Sep. 22, 1995**

[52] U.S. Cl. **D23/283**

[58] **Field of Search** D23/283; 4/579,
4/612, 596, 607, 610, 557, 614, 584, 608,
600, 609; 52/207, 217

[56] **References Cited**

U.S. PATENT DOCUMENTS

| | | | | |
|------------|---------|---------------|-------|---------|
| D. 204,126 | 3/1966 | Brenner | | D23/283 |
| D. 352,548 | 11/1994 | Pinsky et al. | | D23/283 |
| 5,070,549 | 12/1991 | Compe | | 4/596 |
| 5,426,900 | 6/1995 | Springer | | 4/610 X |
| 5,480,199 | 1/1996 | Hasting | | 4/607 X |

Primary Examiner—Stella Reid
Assistant Examiner—Eric Watterson
Attorney, Agent, or Firm—Siegmar Silber

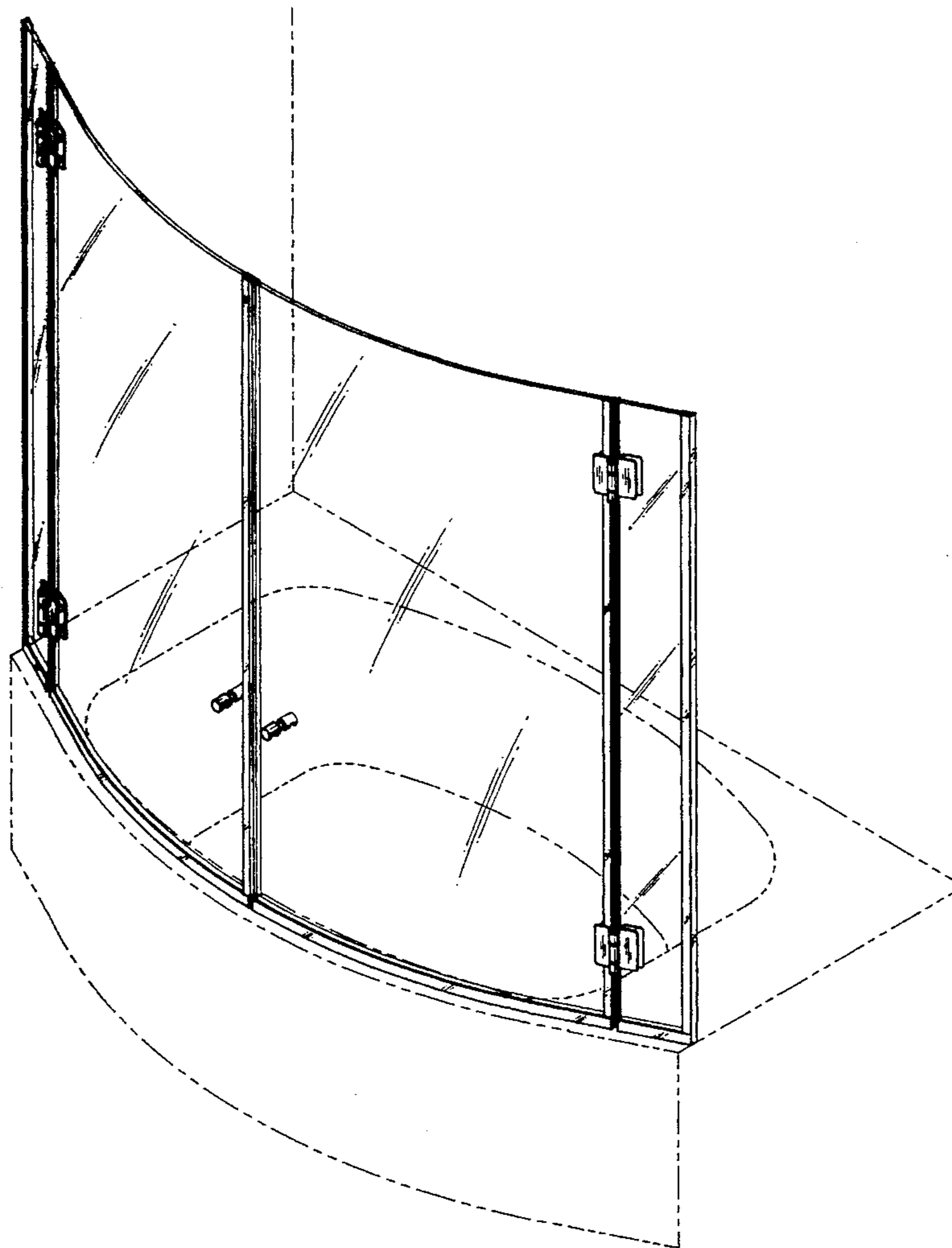
[57] **CLAIM**

The ornamental design for an enclosure for a bathtub, as shown and described.

DESCRIPTION

FIG. 1 is a top perspective view of a shower enclosure for a bathtub, showing my new design;
FIG. 2 is a front elevational view thereof;
FIG. 3 is a top plan view thereof;
FIG. 4 is a side elevational view, the opposite side being a mirror image thereof;
FIG. 5 is a rear elevational view thereof;
FIG. 6 is a top perspective view of the second embodiment, showing my new design;
FIG. 7 is a front elevational view thereof;
FIG. 8 is a top plan view thereof;
FIG. 9 is a side elevational view, the opposite side being a mirror image thereof; and,
FIG. 10 is a rear elevational view thereof.
The broken line showing is for illustrative purposes only and forms no part of the claimed design.

1 Claim, 6 Drawing Sheets



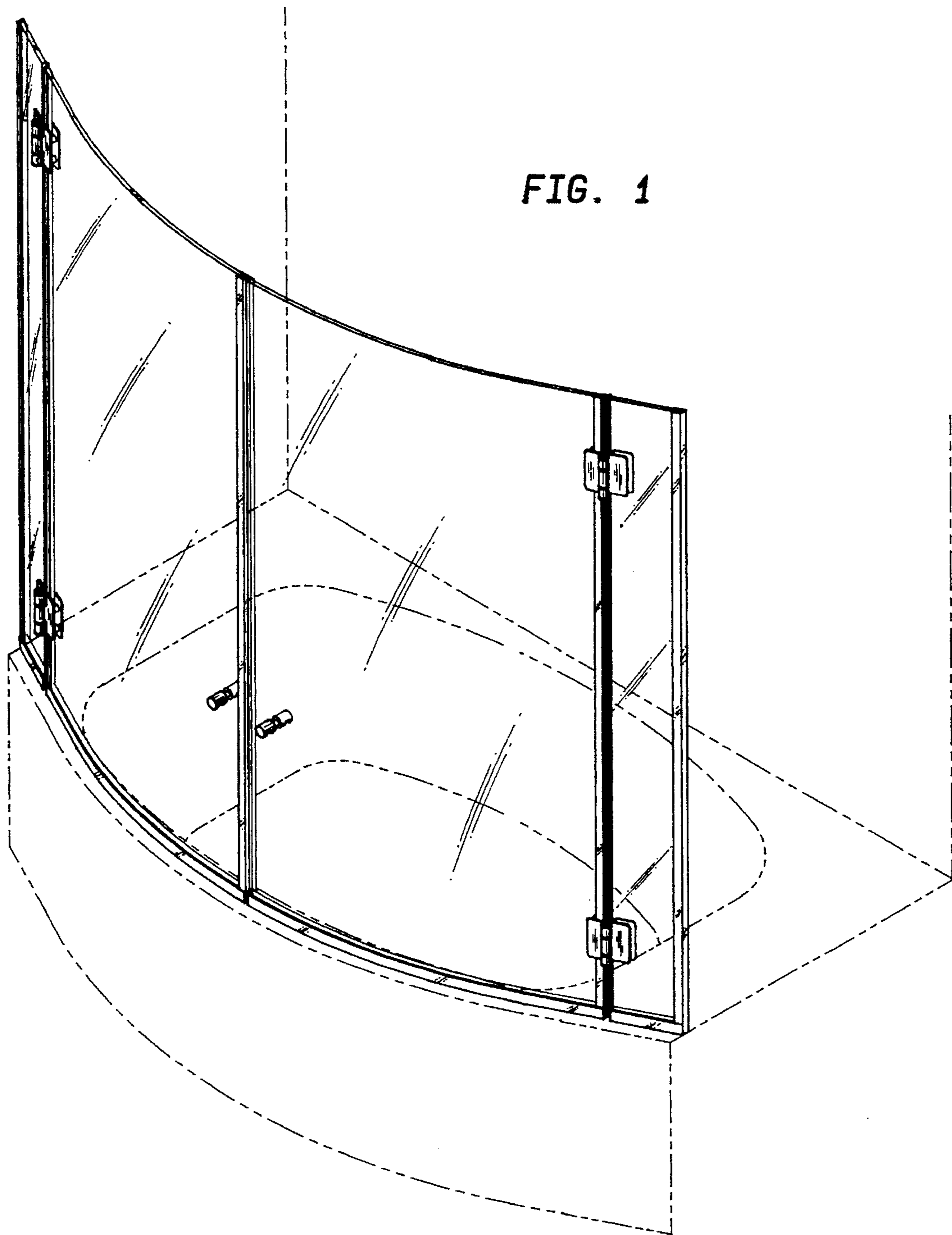


FIG. 1

FIG. 2

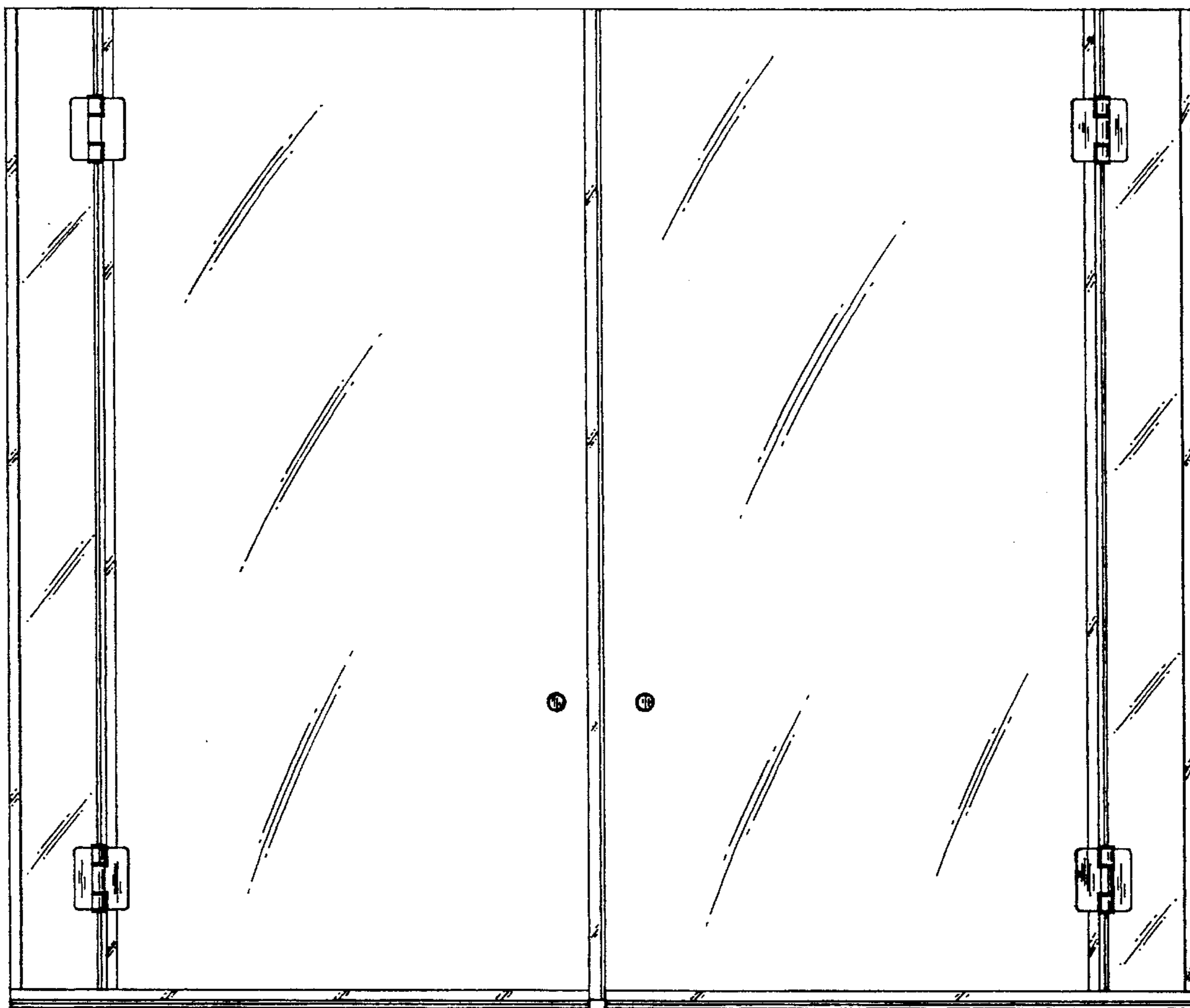


FIG. 3

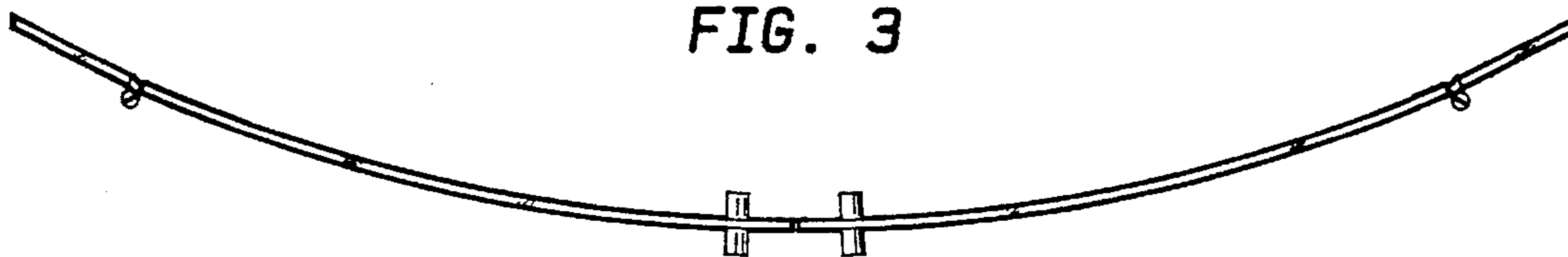


FIG. 5

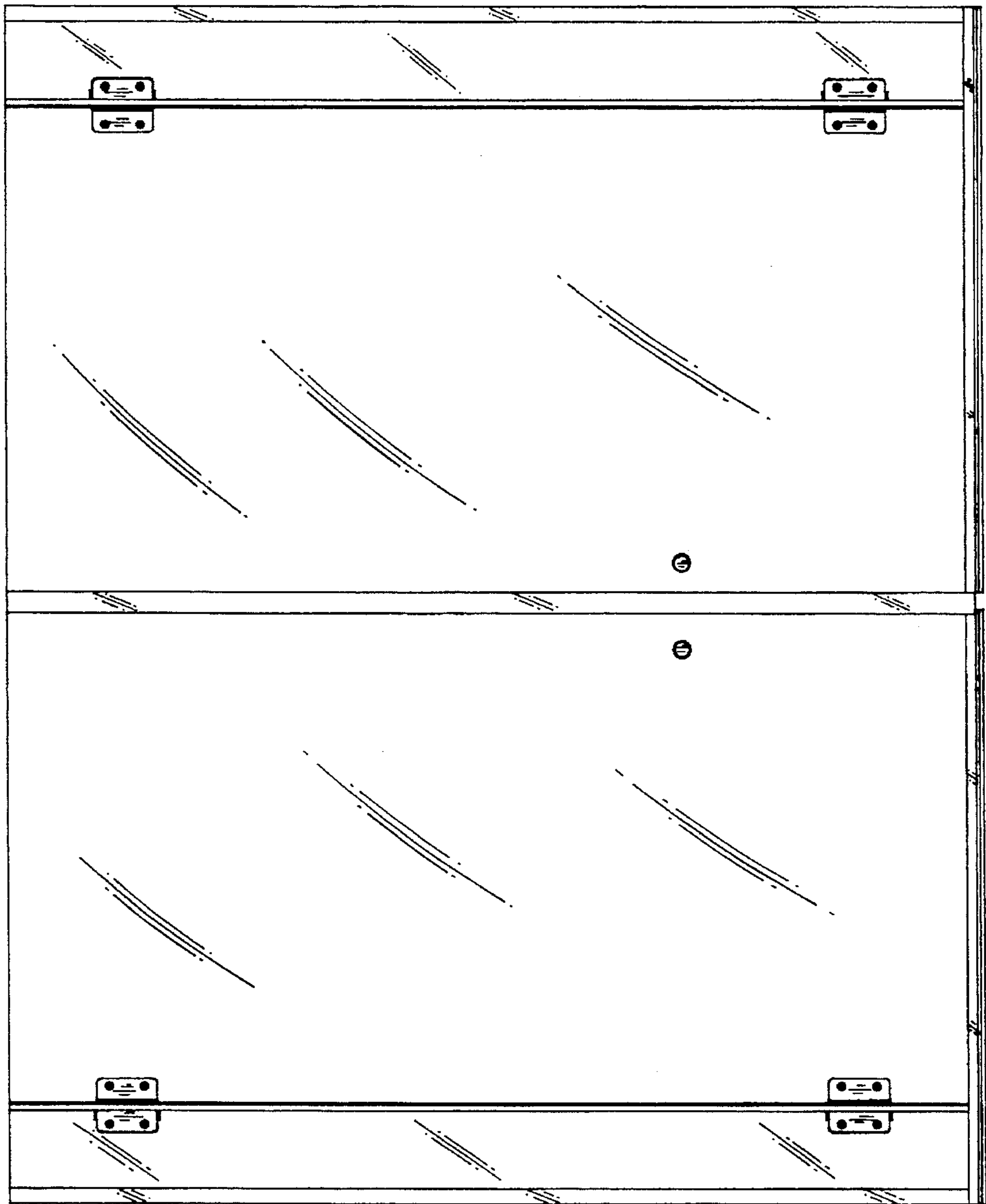
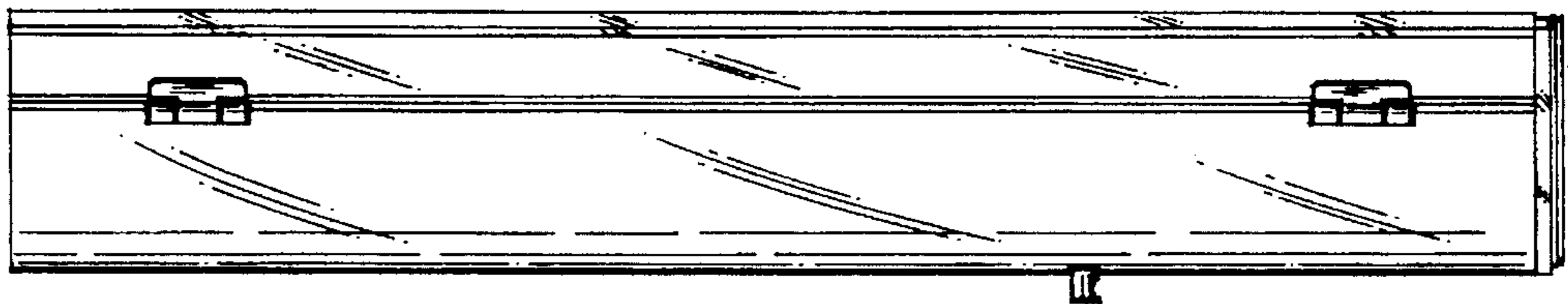


FIG. 4



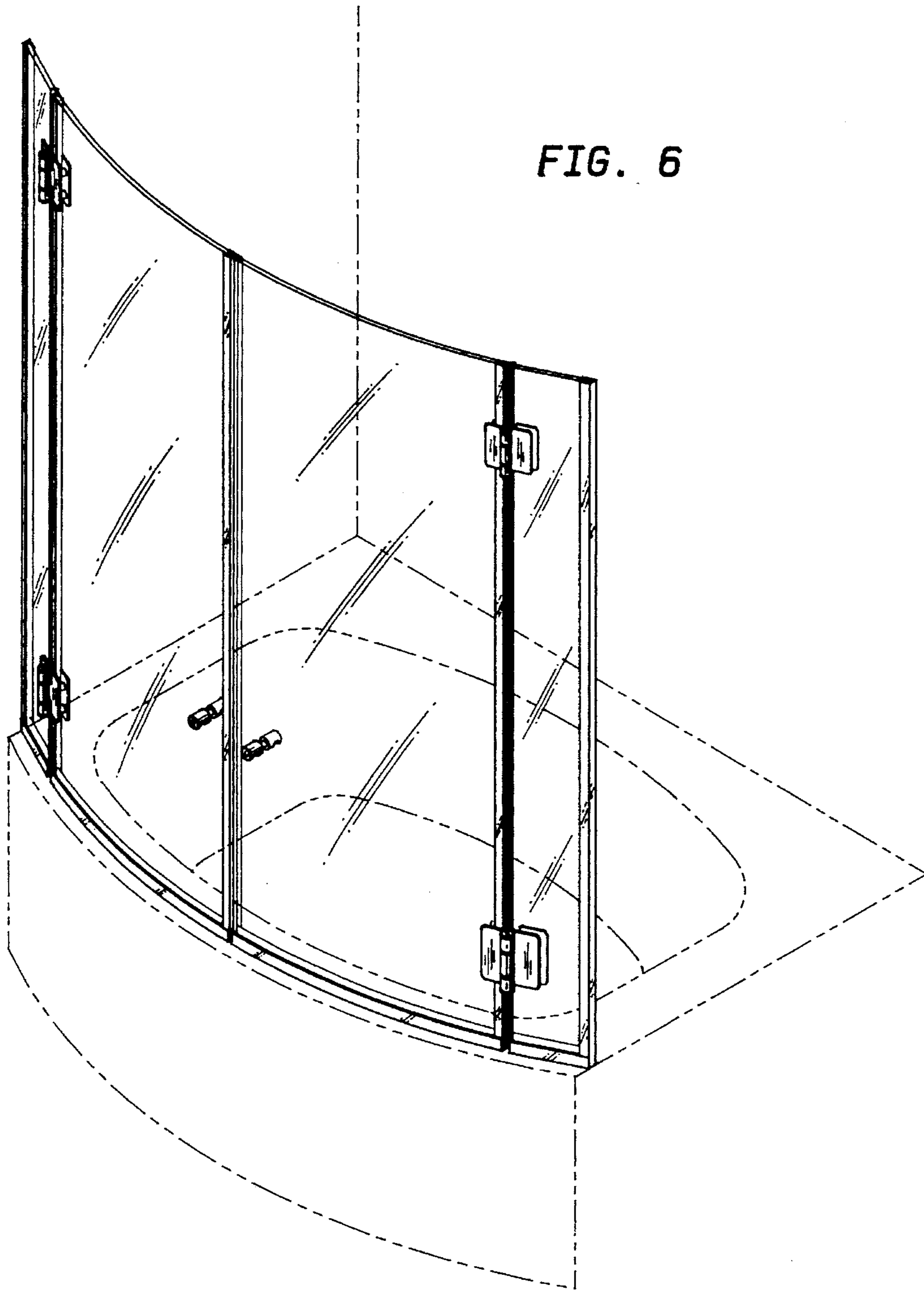


FIG. 6

FIG. 7

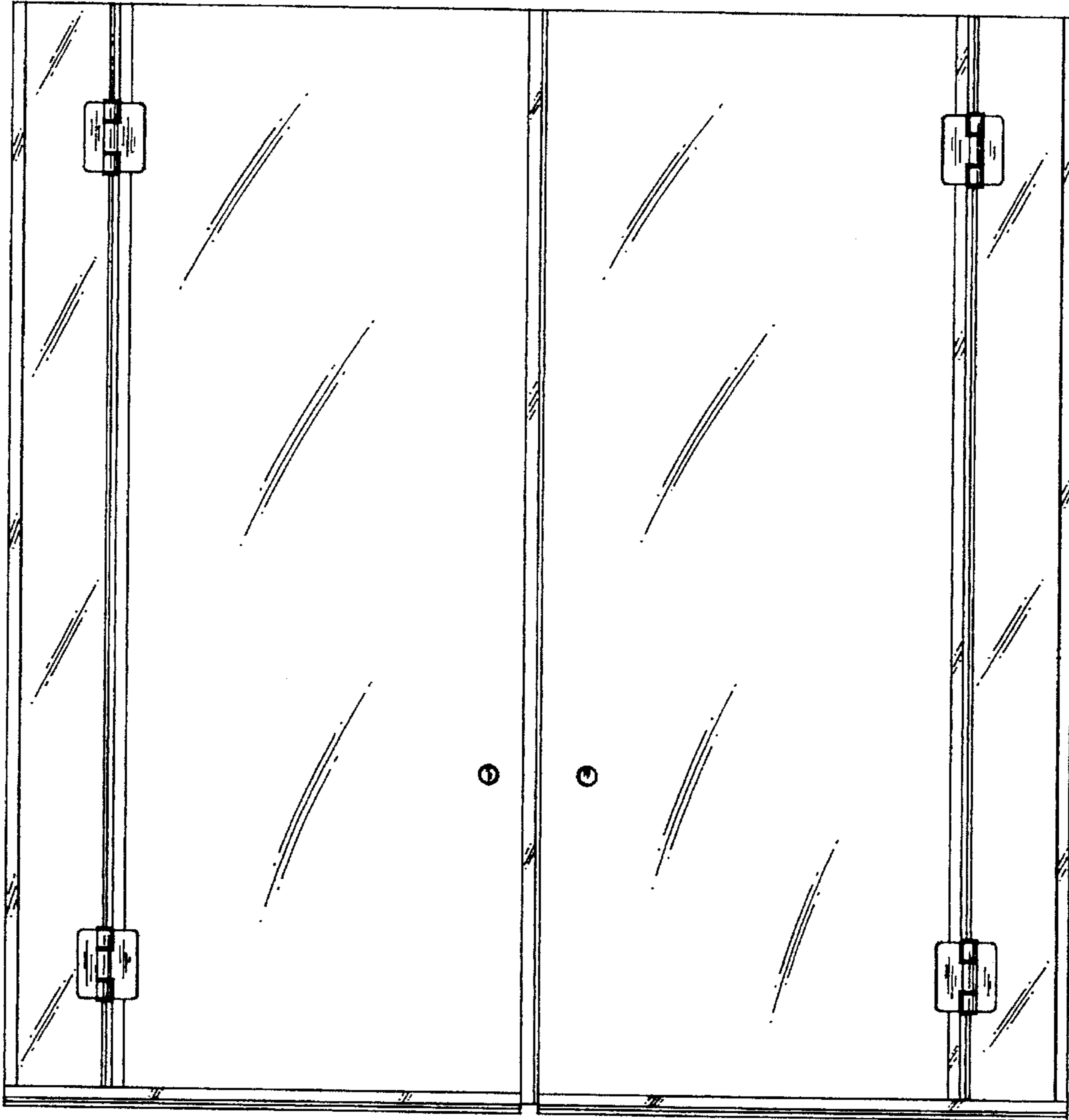


FIG. 8

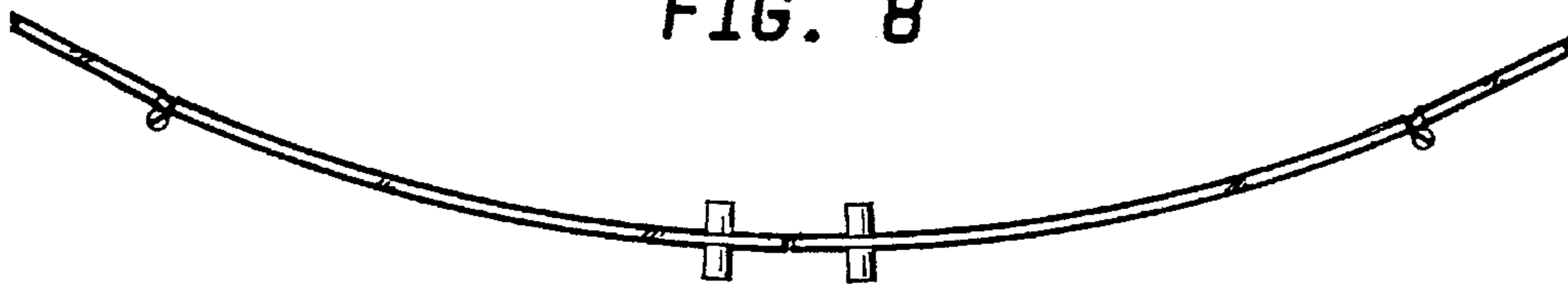


FIG. 10

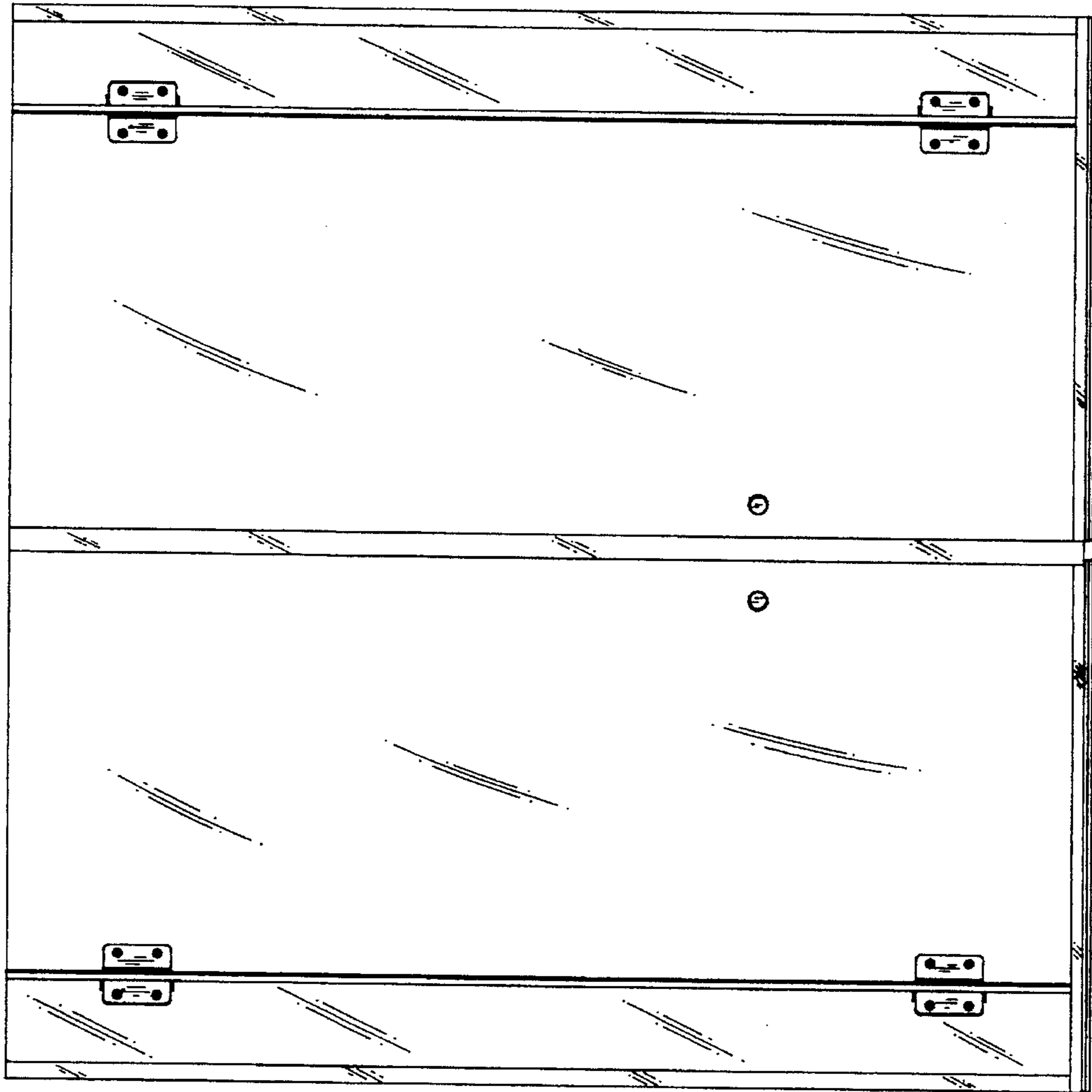


FIG. 9

