



US00D374915S

United States Patent [19] Copp

[11] Patent Number: **Des. 374,915**

[45] Date of Patent: ****Oct. 22, 1996**

[54] **PRESSURIZED WATER SHIELD**

5,211,338 5/1993 Leite et al. 239/288.5
5,280,856 1/1994 Haggerty 29/288

[76] Inventor: **Mark C. Copp**, 829 Mulberry St., Lake Worth, Fla. 33461

Primary Examiner—A. Hugo Word
Assistant Examiner—Robin V. Taylor
Attorney, Agent, or Firm—McHale & Slavin, P.A.

[**] Term: **14 Years**

[21] Appl. No.: **41,176**

[57] **CLAIM**

[22] Filed: **Jul. 7, 1995**

The ornamental design for a pressurized water shield, as shown and described.

[52] U.S. Cl. **D23/227**; D23/213

[58] Field of Search D23/213, 223–230;
239/288, 288.3, 288.5, 201, 223; D9/435,
440, 447; D25/133, 134, 135

DESCRIPTION

[56] **References Cited**

U.S. PATENT DOCUMENTS

D. 25,916	8/1896	Woods	D23/213
D. 257,740	12/1980	Humphrey	D23/213
D. 297,298	8/1988	Sarnoff	D9/435
1,147,933	7/1915	Ford	239/288
4,192,462	3/1980	Erickson	239/288

FIG. 1 is a perspective view of the pressurized water shield of the instant invention;
FIG. 2 is a top plane view of the shield;
FIG. 3 is a bottom plane view thereof;
FIG. 4 is a side view thereof, the other side being a mirror image;
FIG. 5 is a front elevational view thereof; and,
FIG. 6 is a rear elevational view thereof.

1 Claim, 2 Drawing Sheets

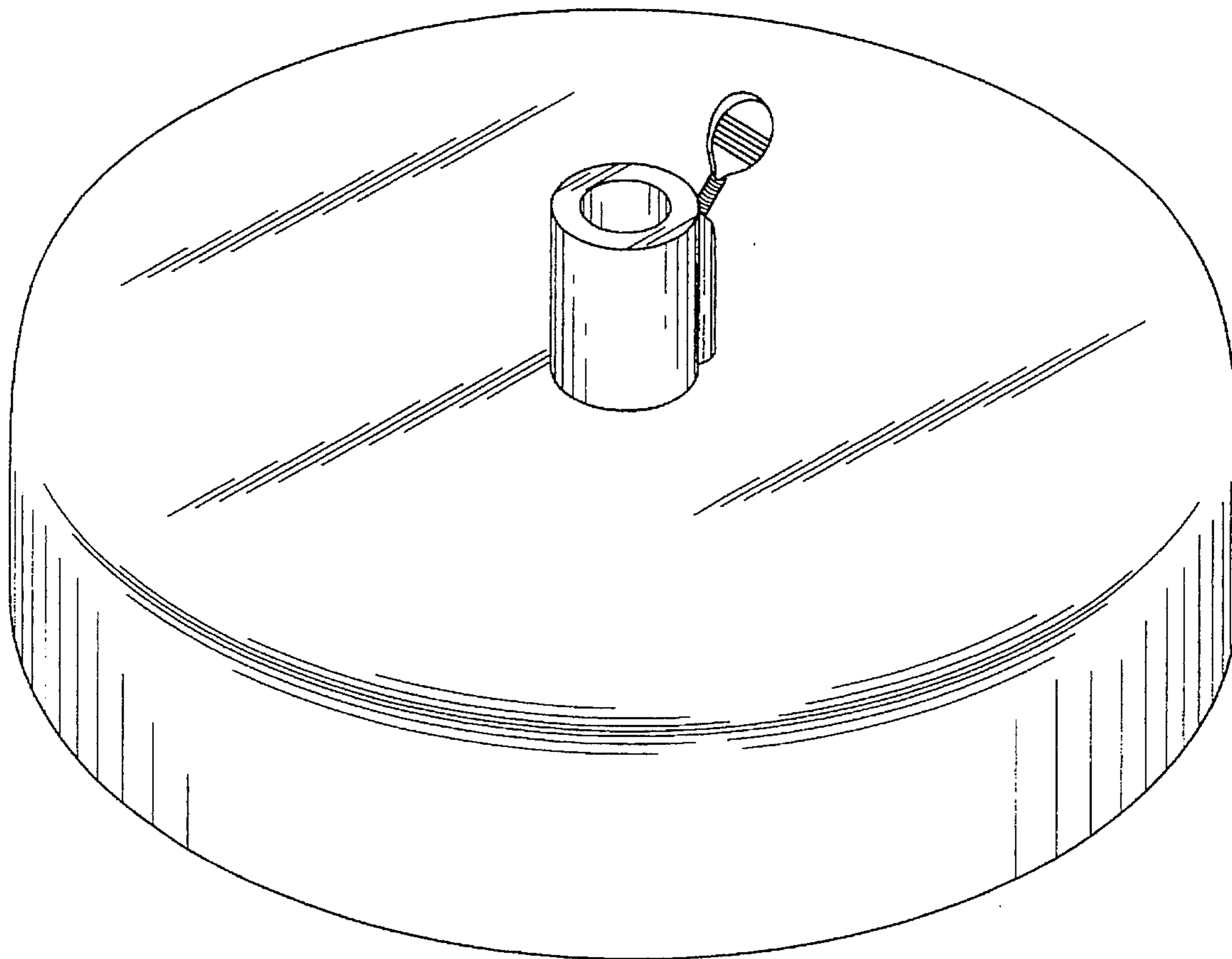


FIG. 1

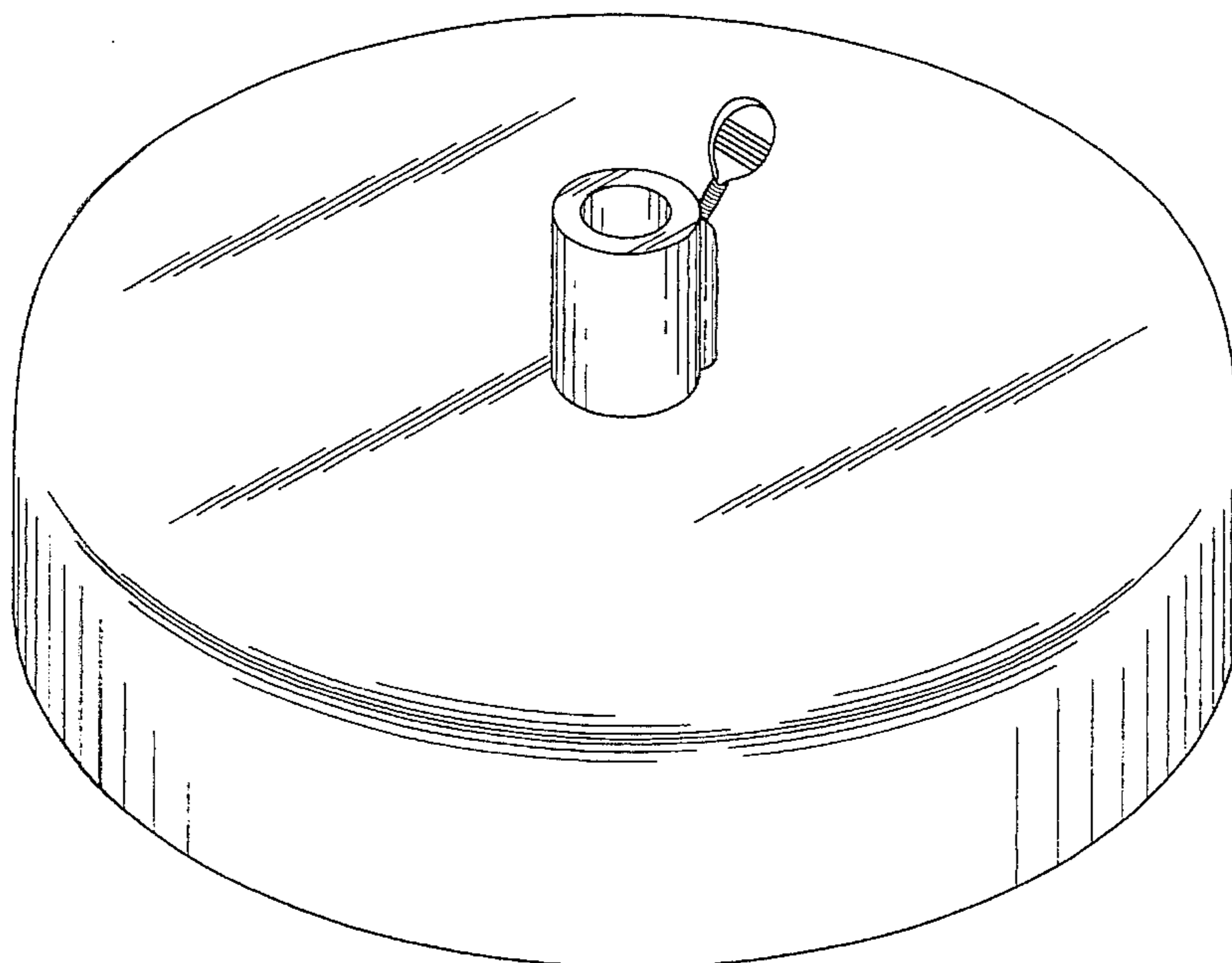


FIG. 5

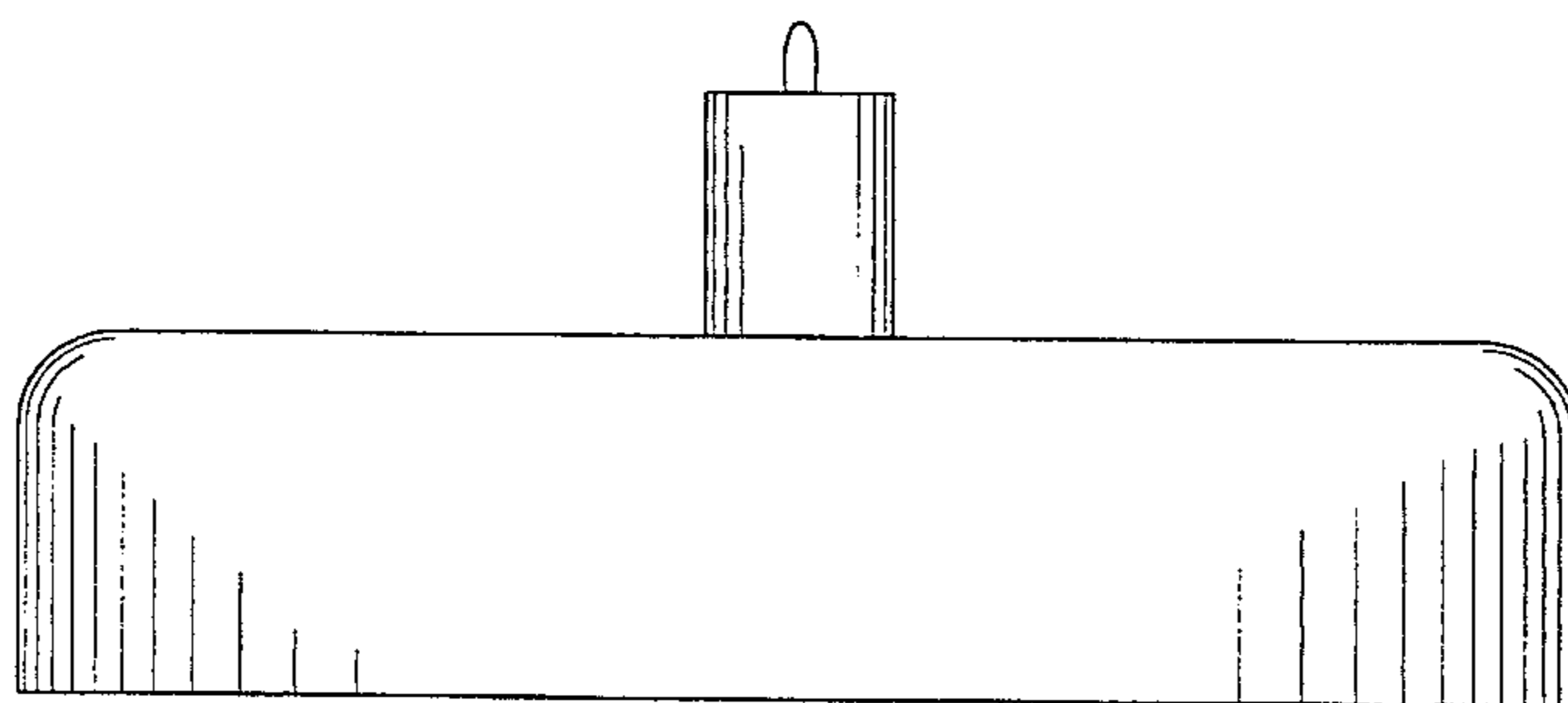


FIG. 6

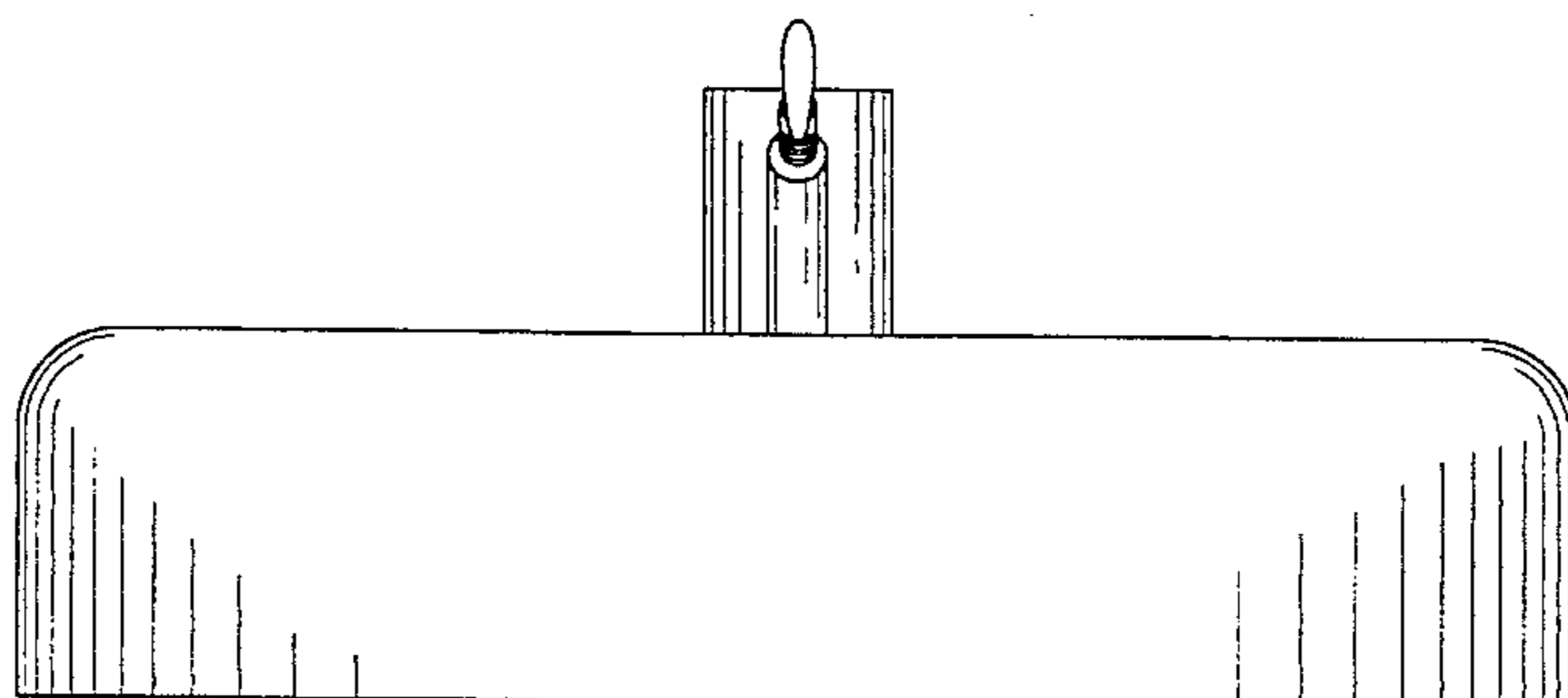


FIG. 2

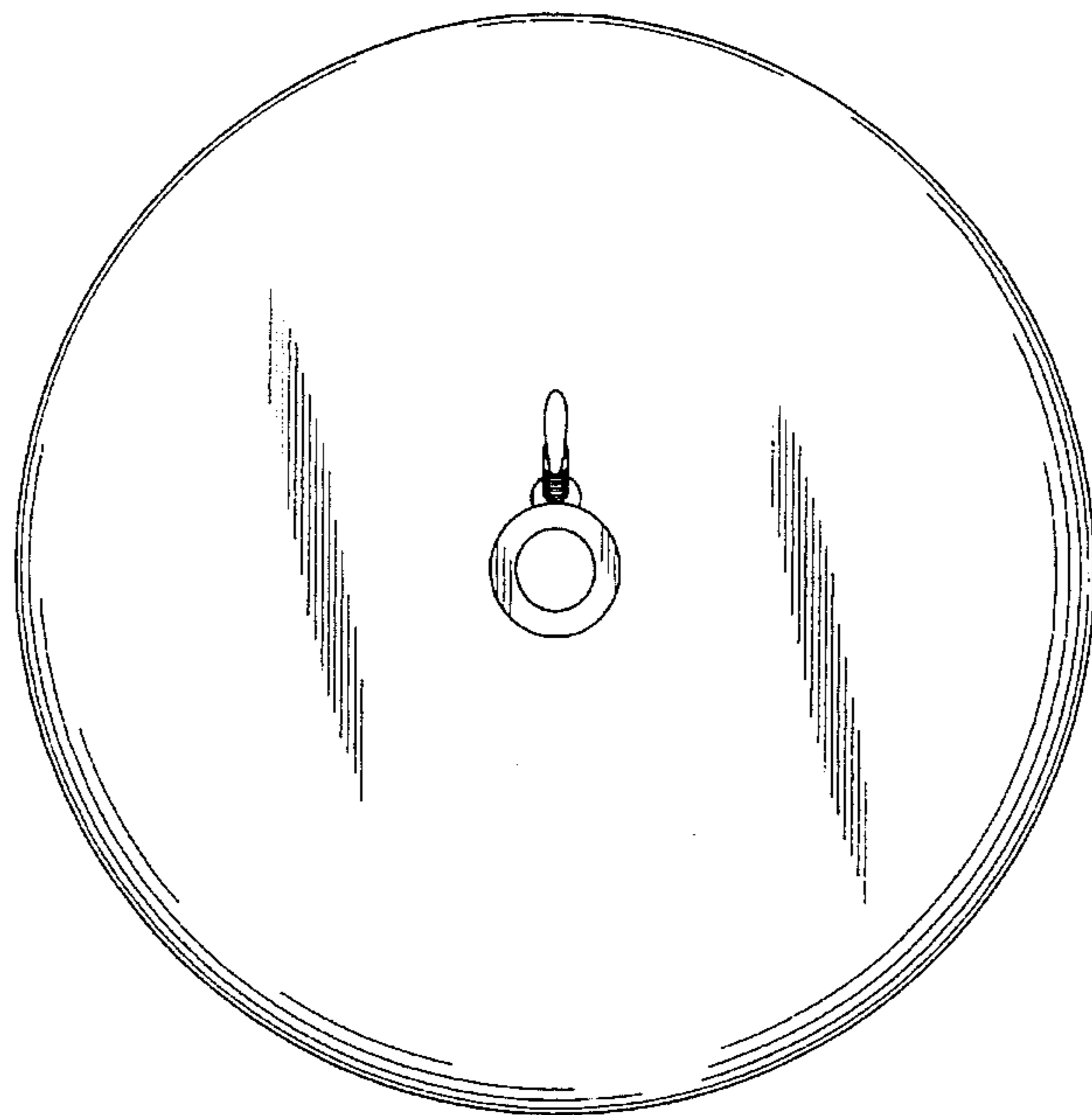


FIG. 3

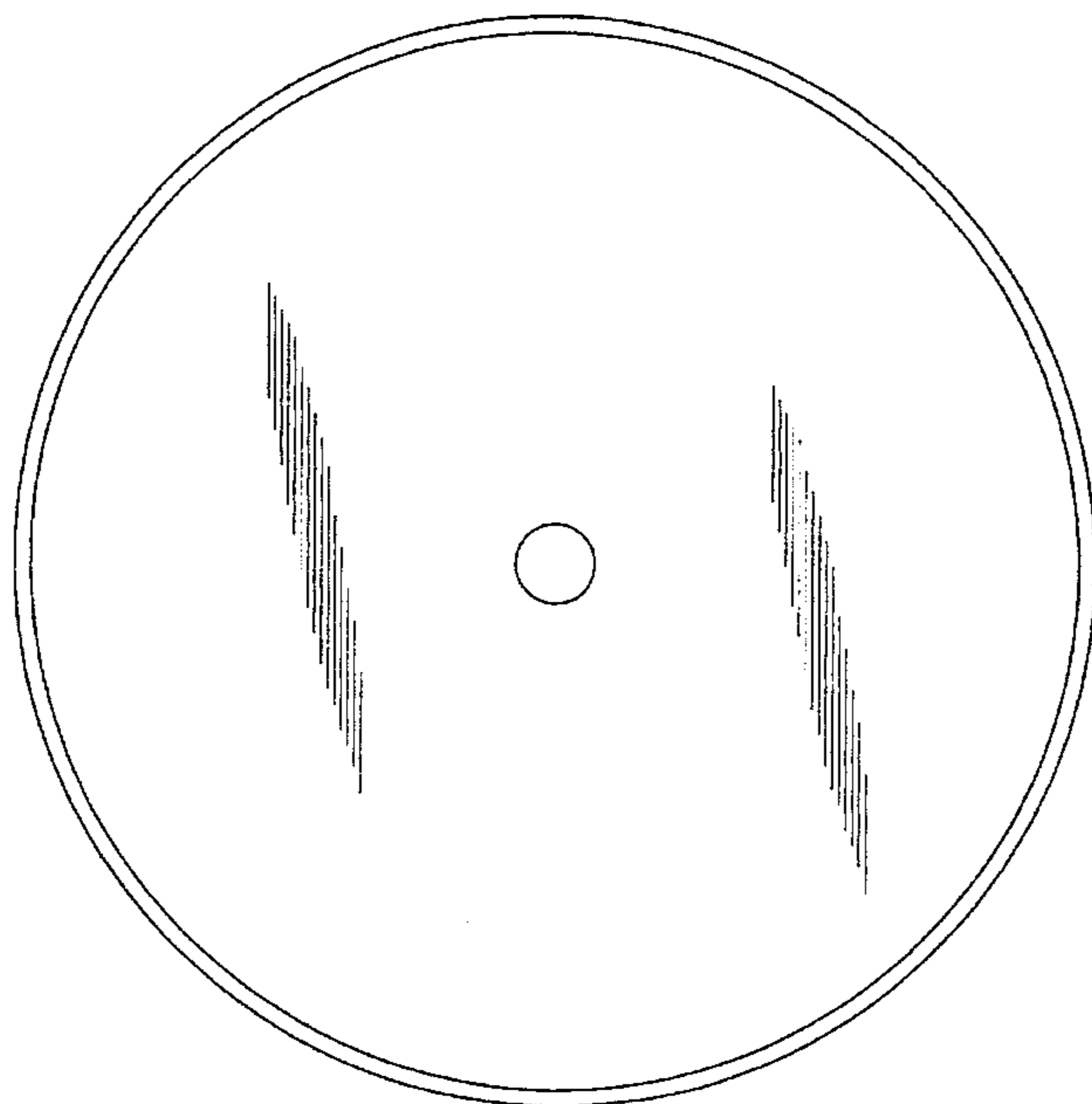


FIG. 4

