



US00D374914S

**United States Patent** [19]  
**Wang**

[11] **Patent Number: Des. 374,914**  
[45] **Date of Patent: \*\*Oct. 22, 1996**

[54] **LAWN SPRINKLER**

5,358,180 10/1994 Prassas ..... 239/391

[75] Inventor: **King-Yuan Wang**, Changhua Hsien,  
Taiwan

**OTHER PUBLICATIONS**

#2150 multi-pattern sprinkler; Nelson Lawn and Garden  
Catalog Jan. 1986.  
#2475 turret sprinkler; Water Whiz catalog 1994.

[73] Assignee: **Yuan Net Comp.**, Changhua Hsien,  
Taiwan

*Primary Examiner*—A. Hugo Word  
*Assistant Examiner*—Robin V. Taylor  
*Attorney, Agent, or Firm*—Browdy and Neimark

[\*\*] Term: **14 Years**

[21] Appl. No.: **46,995**

[57] **CLAIM**

[22] Filed: **Nov. 24, 1995**

The ornamental design for lawn sprinkler, as shown and  
described.

[52] U.S. Cl. .... **D23/214**

[58] **Field of Search** ..... D23/213, 214,  
D23/215, 219; 239/222.13, 222.21, 225.1,  
230-233, 222.17, 394, 390, 391, 380-3

**DESCRIPTION**

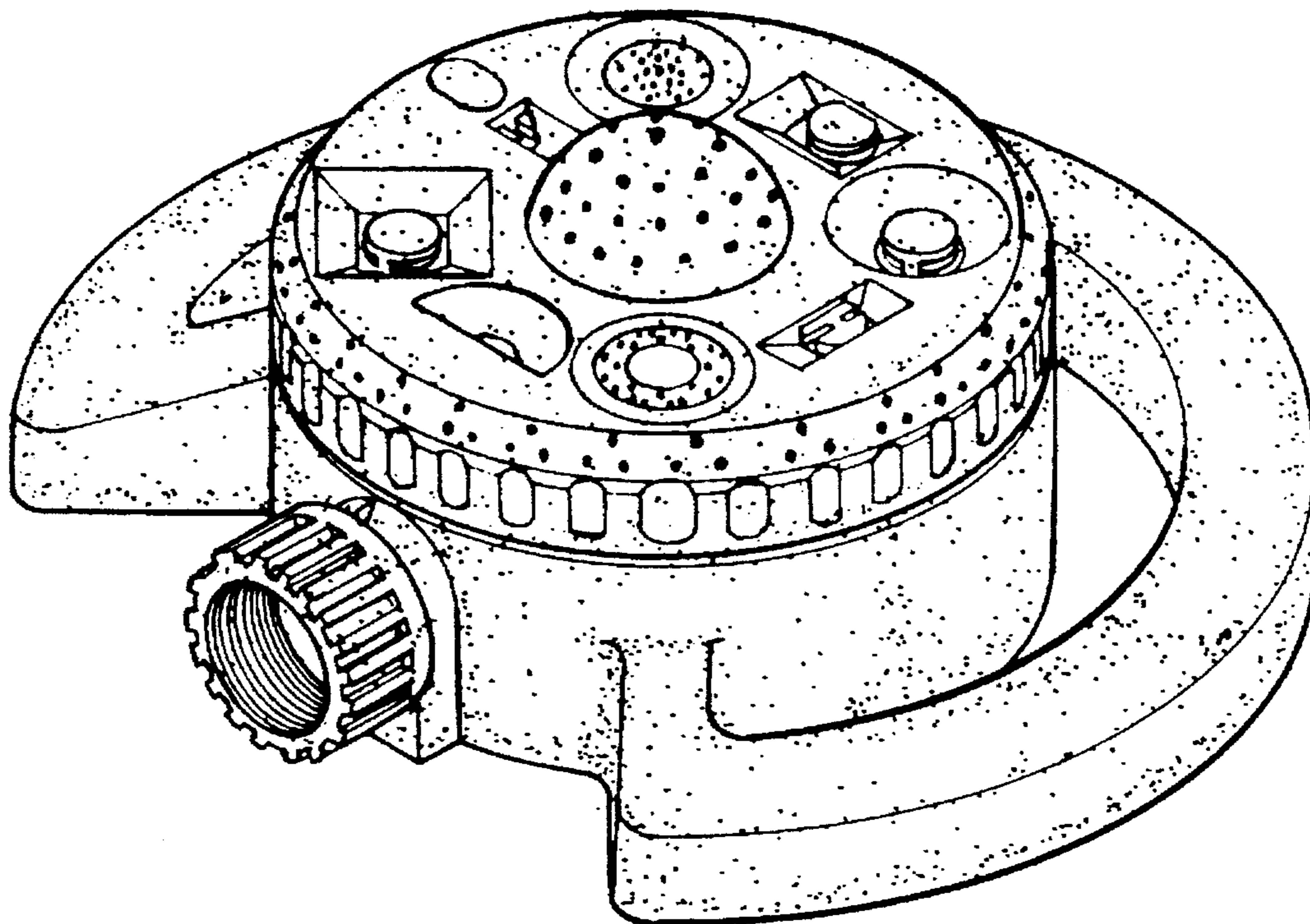
FIG. 1 is a perspective view of lawn sprinkler showing my  
new design;  
FIG. 2 is a front view thereof;  
FIG. 3 is a rear view thereof;  
FIG. 4 is a right side view thereof, the left side is identical;  
FIG. 5 is a top view thereof; and,  
FIG. 6 is a bottom view thereof.

[56] **References Cited**

**U.S. PATENT DOCUMENTS**

D. 191,157	8/1961	Beinert	.....	D23/214
D. 277,127	1/1985	Mackay et al.	.....	D23/214
D. 305,792	1/1990	Hastings	.....	D23/214
4,347,981	9/1982	Hayes	.....	239/394
4,501,391	2/1985	Hunter	.....	239/394

**1 Claim, 3 Drawing Sheets**



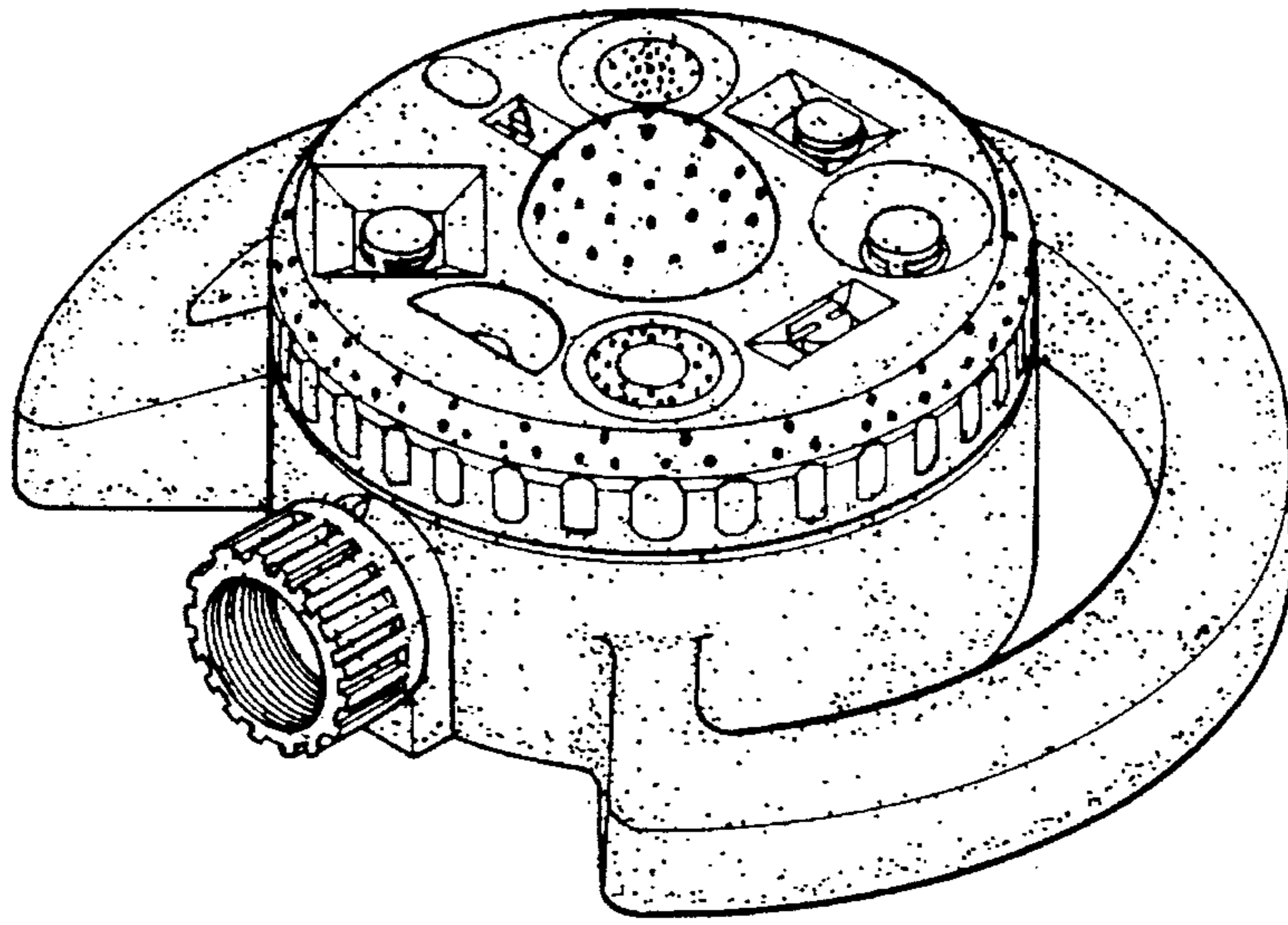


FIG. 1

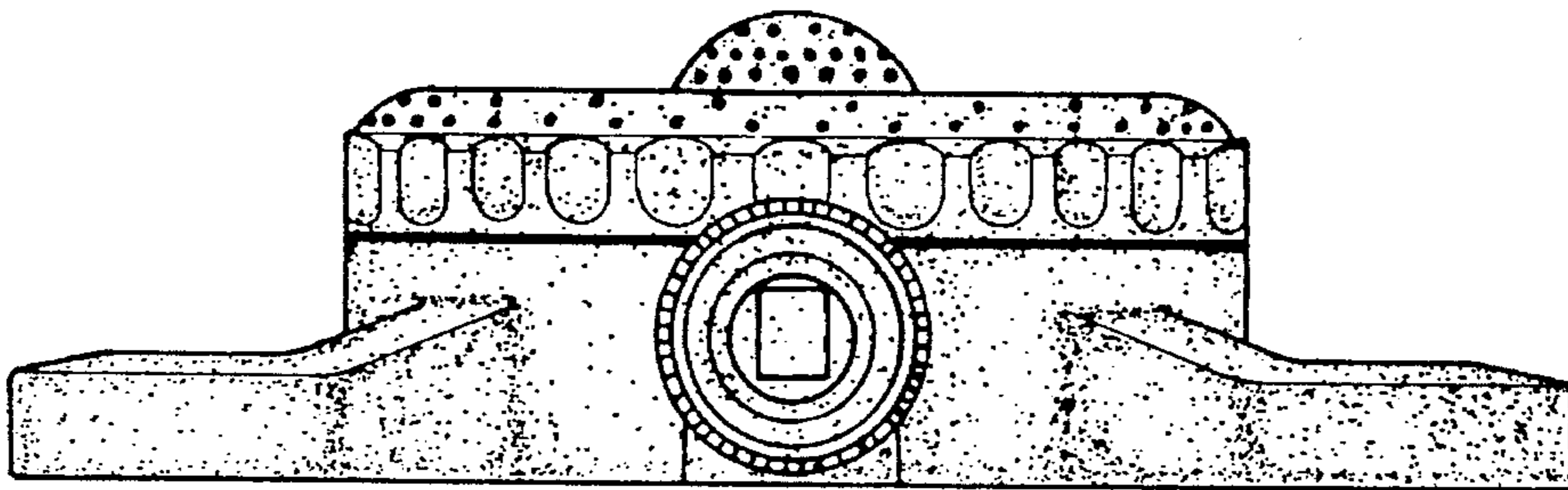


FIG. 2

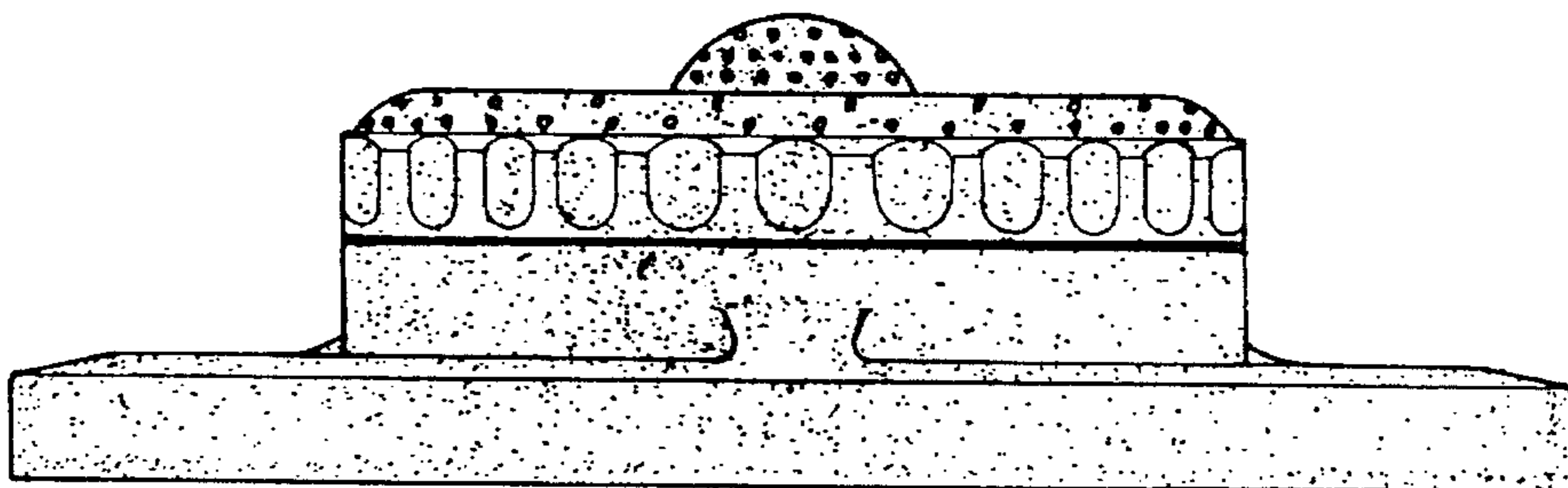


FIG. 3

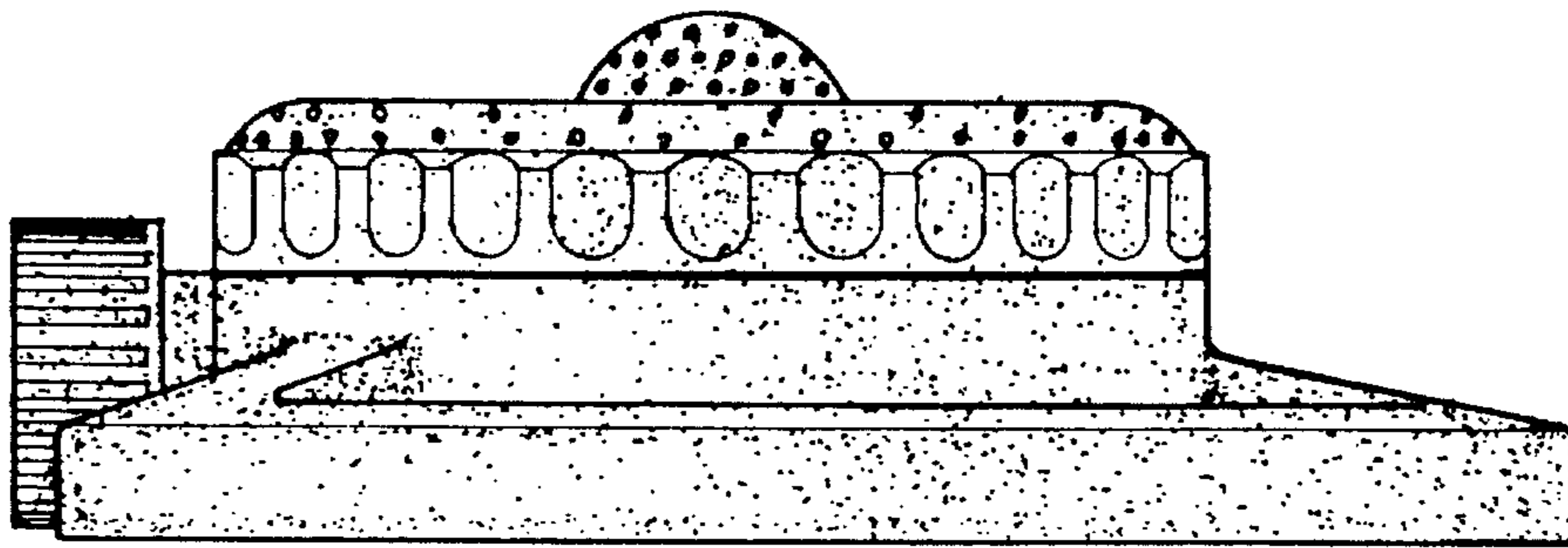


FIG. 4

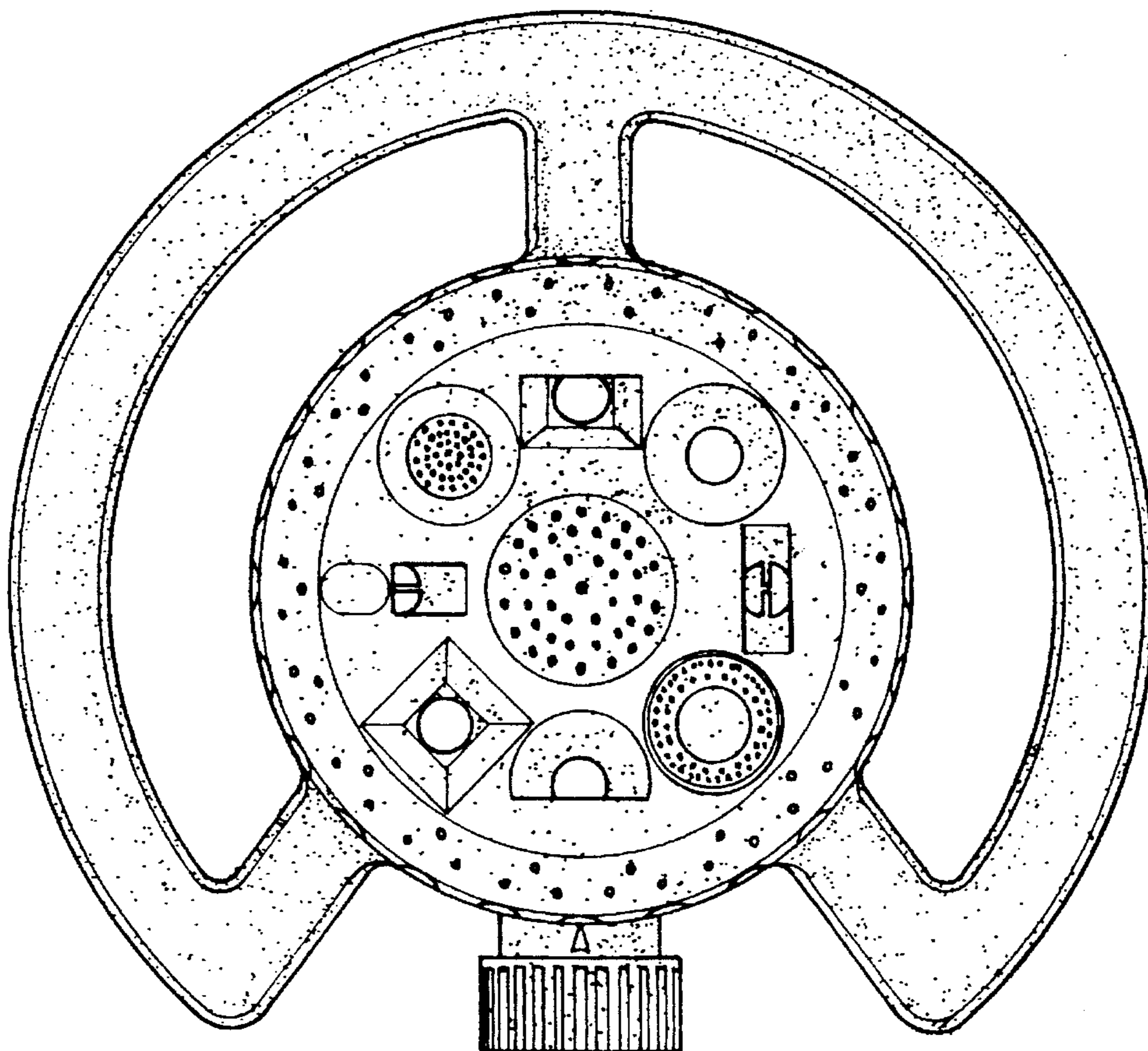


FIG. 5

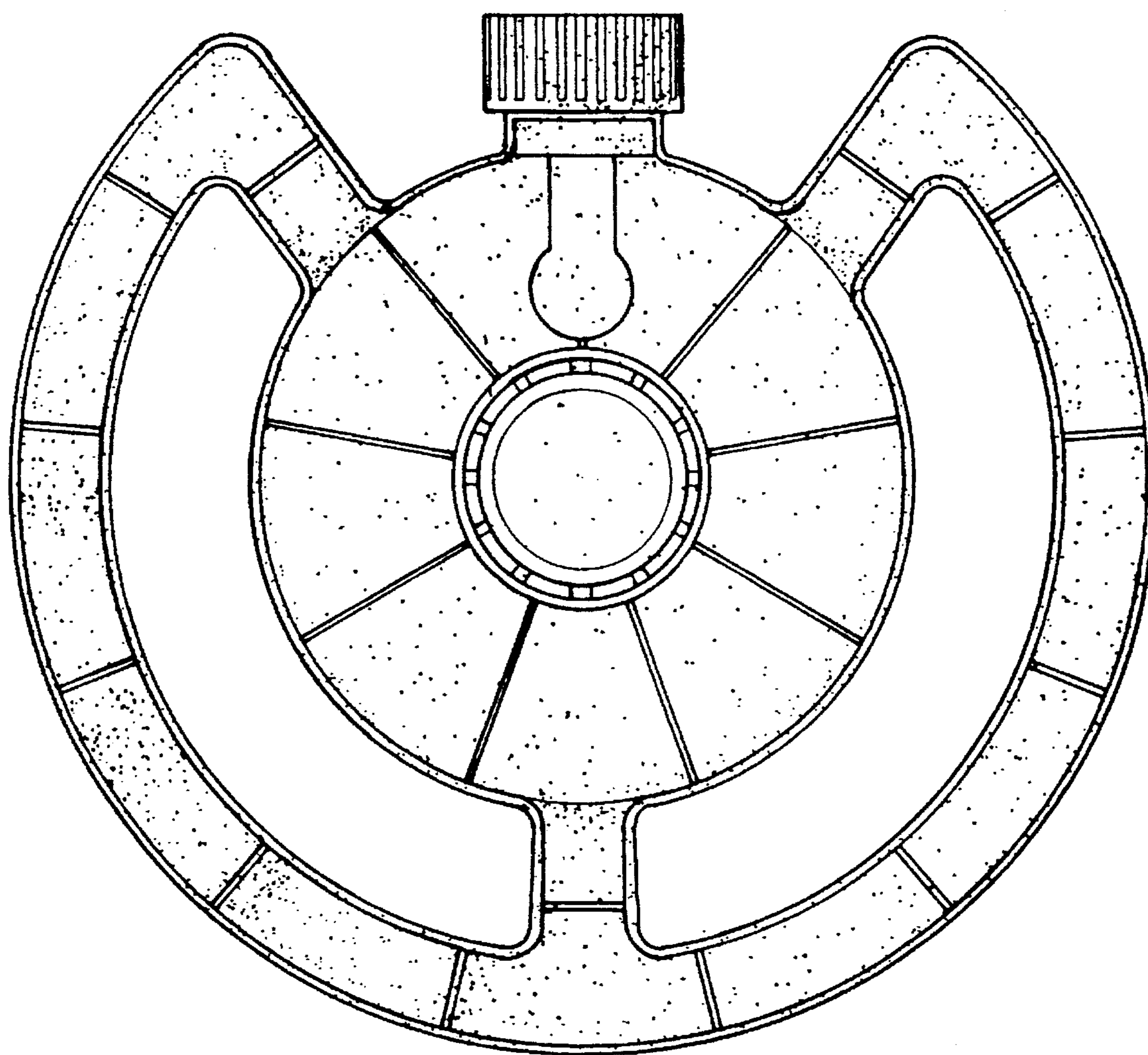


FIG.6