



US00D374913S

United States Patent [19]

Sadler

[11] Patent Number: **Des. 374,913**

[45] Date of Patent: ****Oct. 22, 1996**

[54] **SHOWER HEAD**

3,685,745 8/1972 Peschcke-Koedt 239/587
4,674,687 6/1987 Smith et al. 239/587

[75] Inventor: **Marc Sadler**, Vicenza, Italy

[73] Assignee: **Domino S.p.A.**, Pordenone, Italy

[**] Term: **14 Years**

[21] Appl. No.: **42,844**

[22] Filed: **Aug. 18, 1995**

[30] Foreign Application Priority Data

Mar. 27, 1995 [IT] Italy PN9500003

[52] U.S. Cl. **D23/213; D23/223**

[58] Field of Search D23/213, 223-230;
239/373, 394, 414-5, 460, 461, 462, 301,
587.1, 587.2, 587.4, 380-3, 390-1

[56] References Cited

U.S. PATENT DOCUMENTS

D. 267,582 1/1983 Mackay et al. D23/223

Primary Examiner—A. Hugo Word
Assistant Examiner—Robin V. Taylor
Attorney, Agent, or Firm—Wenderoth, Lind & Ponack

[57] CLAIM

The ornamental design for a shower head, as shown and described.

DESCRIPTION

FIG. 1 is a front elevational view of a shower head showing my new design;

FIG. 2 is a rear elevational view thereof;

FIG. 3 is a right side elevational view thereof;

FIG. 4 is a left side elevational view thereof;

FIG. 5 is a bottom plan view thereof; and,

FIG. 6 is a top plan view thereof.

1 Claim, 3 Drawing Sheets

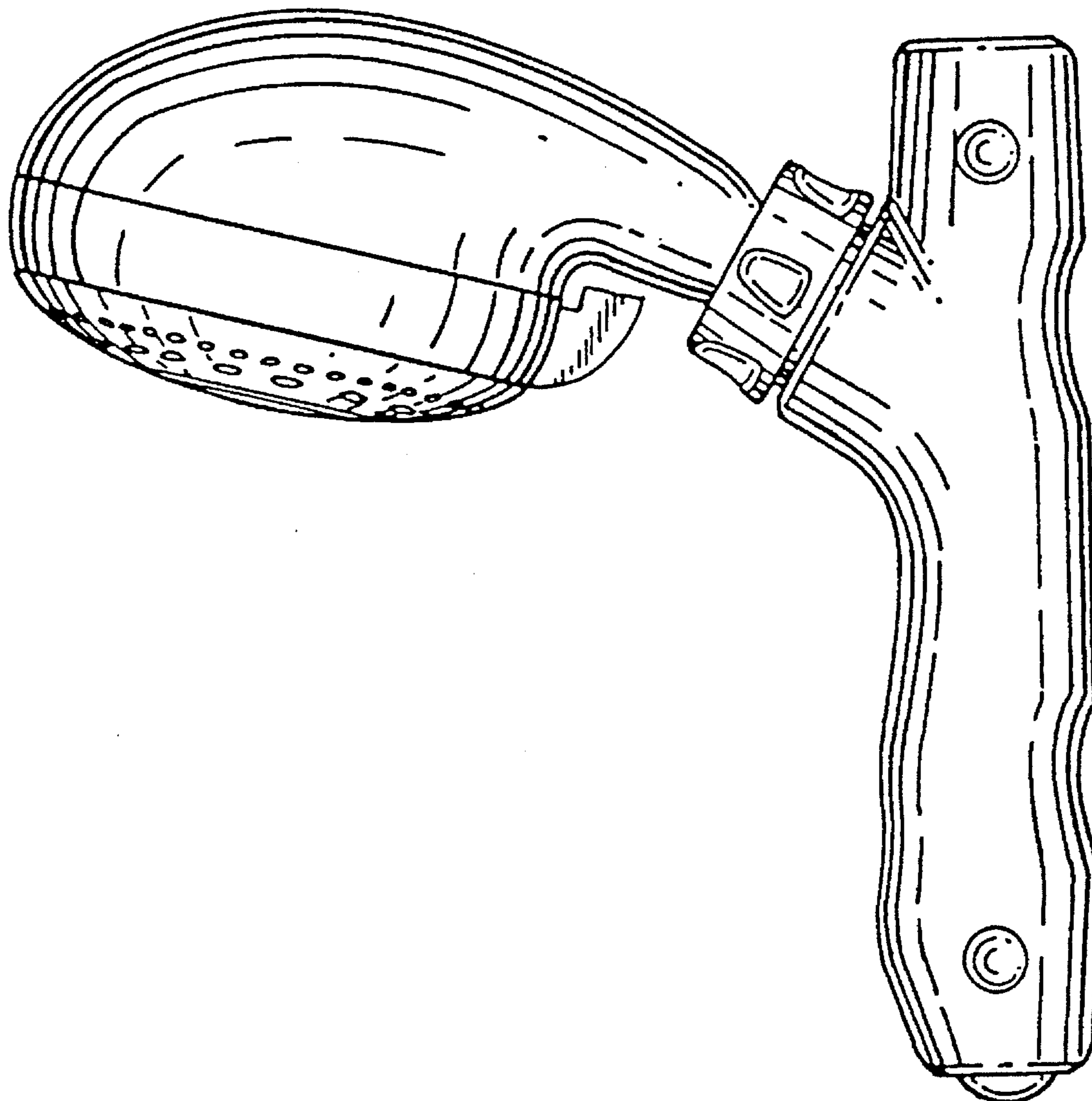


FIG. 2

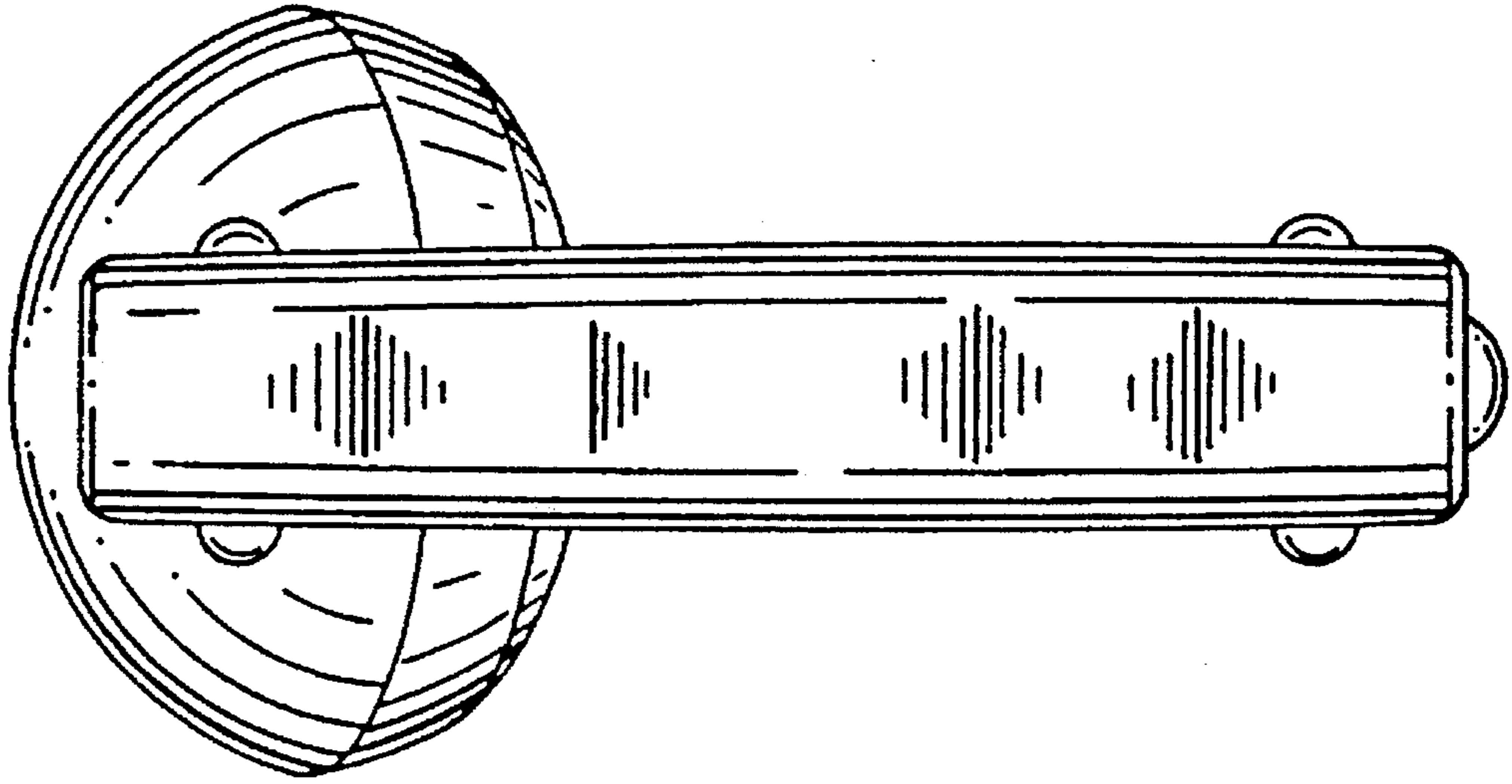
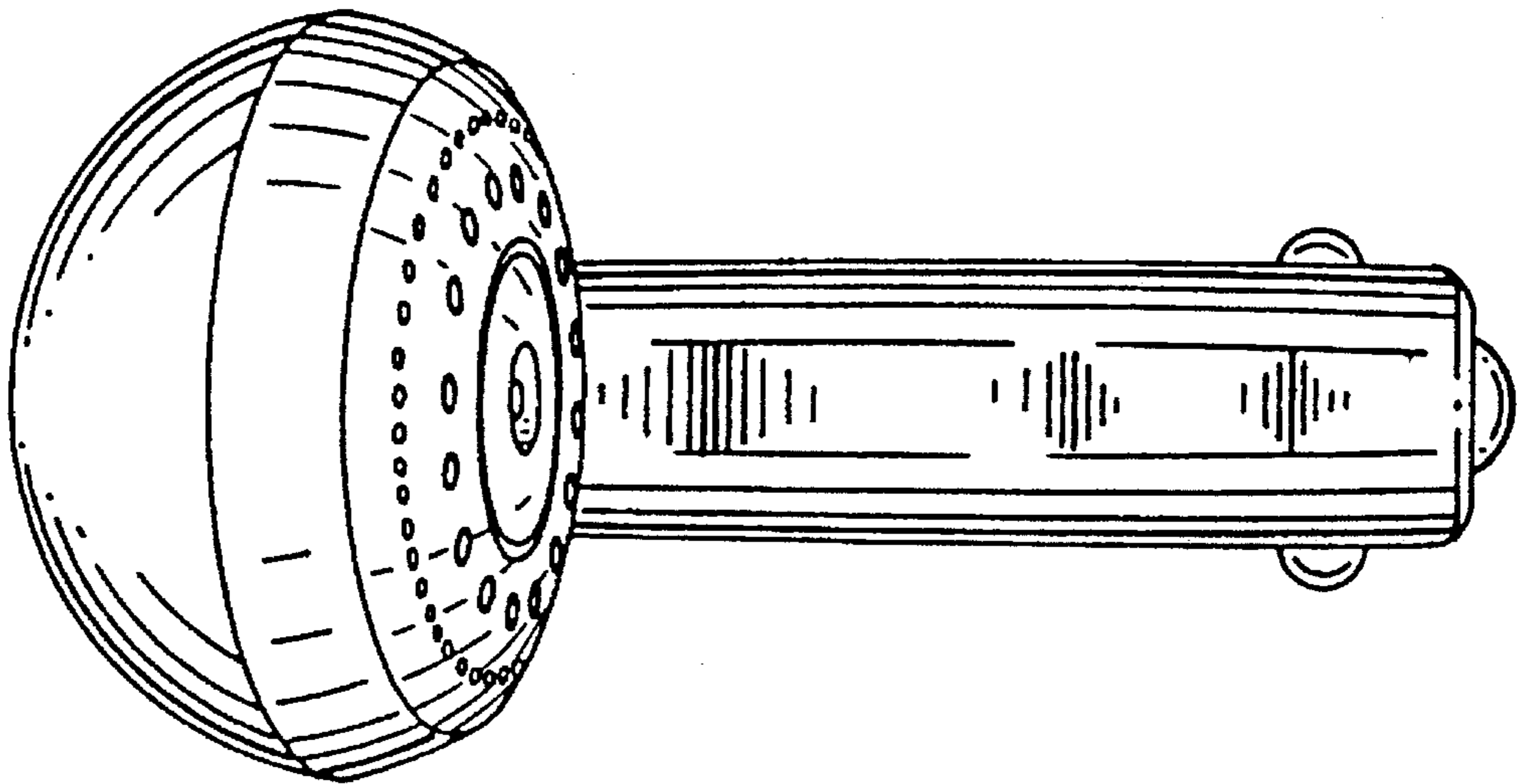


FIG. 1



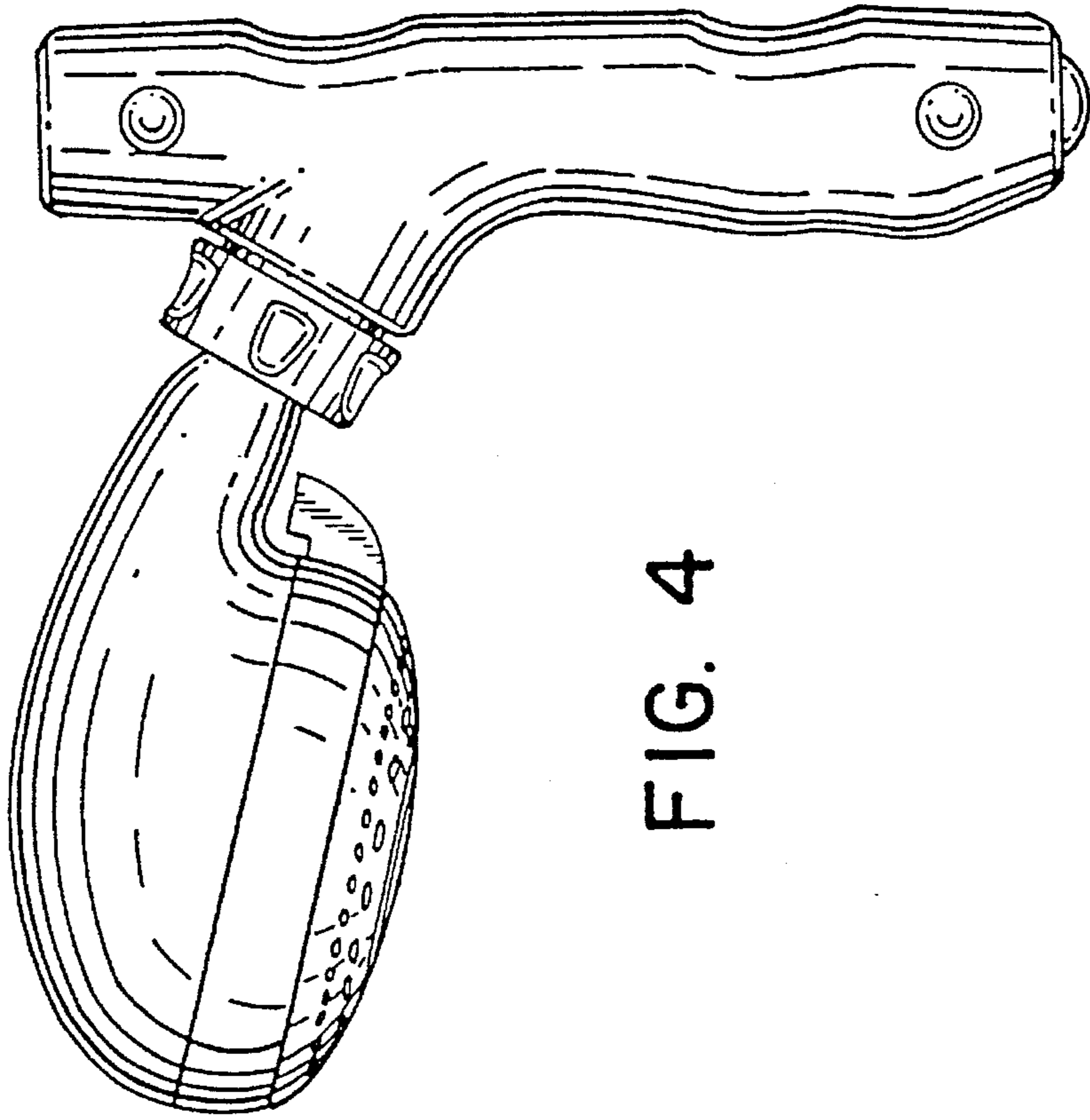


FIG. 4

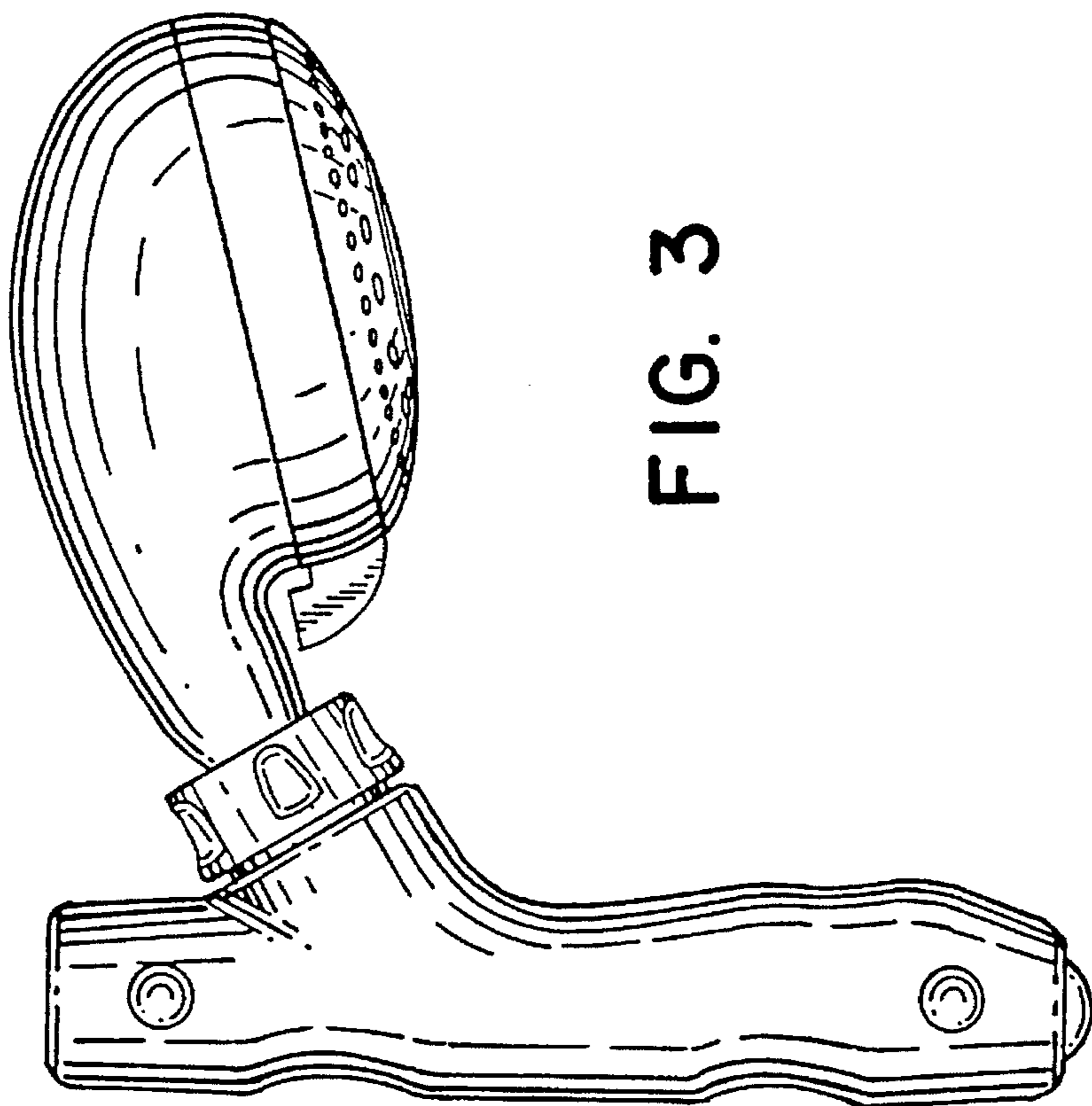


FIG. 3

FIG. 5

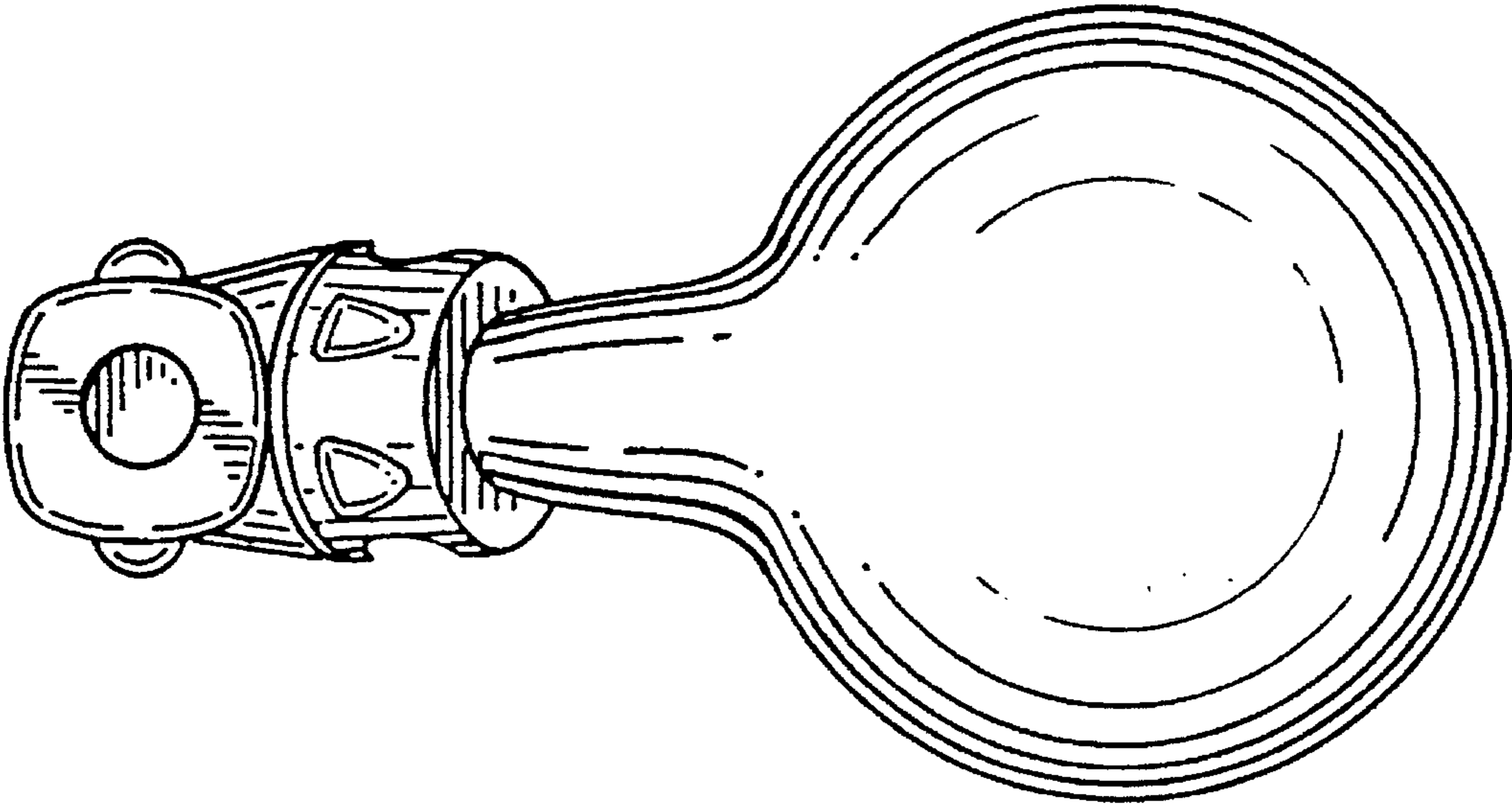


FIG. 6

