



US00D374912S

United States Patent [19]

[11] Patent Number: **Des. 374,912**

Engelander

[45] Date of Patent: ****Oct. 22, 1996**

[54] **FILTER HOUSING**

| | | | |
|------------|---------|----------------|---------|
| D. 230,735 | 3/1974 | Lents | D23/209 |
| D. 256,944 | 9/1980 | Fox | D23/209 |
| 3,289,847 | 12/1966 | Rothmund | D23/209 |

[75] Inventor: **Pieter Engelander**, Veenendaal, Netherlands

OTHER PUBLICATIONS

[73] Assignee: **Fairey Arlon B.V.**, Arnhem, Netherlands

Submicronic Fin-L-Filter, p. 35 Fritz Aquaculture catalog 1992-93.

[**] Term: **14 Years**

Primary Examiner—A. Hugo Word
Assistant Examiner—Robin V. Taylor
Attorney, Agent, or Firm—Deveau, Colton & Marquis

[21] Appl. No.: **44,616**

[22] Filed: **Sep. 27, 1995**

[57] **CLAIM**

[30] **Foreign Application Priority Data**

The ornamental design for a filter housing, as shown and described.

Mar. 31, 1995 [BX] Benelux TM/Des. Off. 70679-00

[52] **U.S. Cl.** **D23/209**

DESCRIPTION

[58] **Field of Search** D23/200, 207, D23/209; 210/282, 446, 459, 460, 263, 264, 282

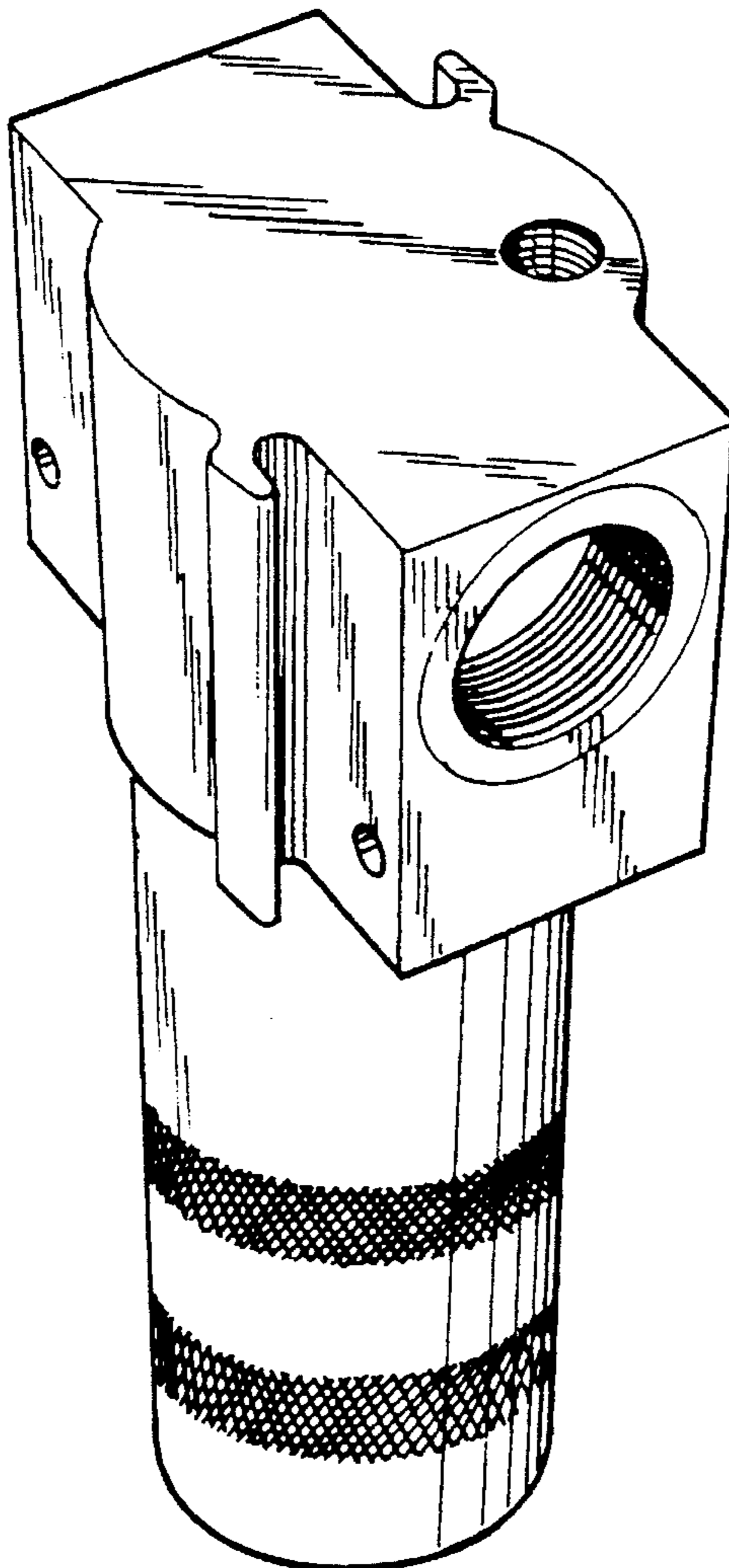
FIG. 1 is a front view of the filter housing;
FIG. 2 is a right side view of the filter housing;
FIG. 3 is a rear view of the filter housing;
FIG. 4 is a left side view of the filter housing;
FIG. 5 is a top view of the filter housing;
FIG. 6 is a bottom view of the filter housing; and,
FIG. 7 is a perspective view of the filter housing.

[56] **References Cited**

U.S. PATENT DOCUMENTS

| | | | |
|------------|--------|----------------|---------|
| D. 188,688 | 8/1960 | Sicard | D23/209 |
| D. 220,263 | 3/1971 | Hughes | D23/209 |
| D. 221,850 | 9/1971 | Anderson | D23/209 |

1 Claim, 7 Drawing Sheets



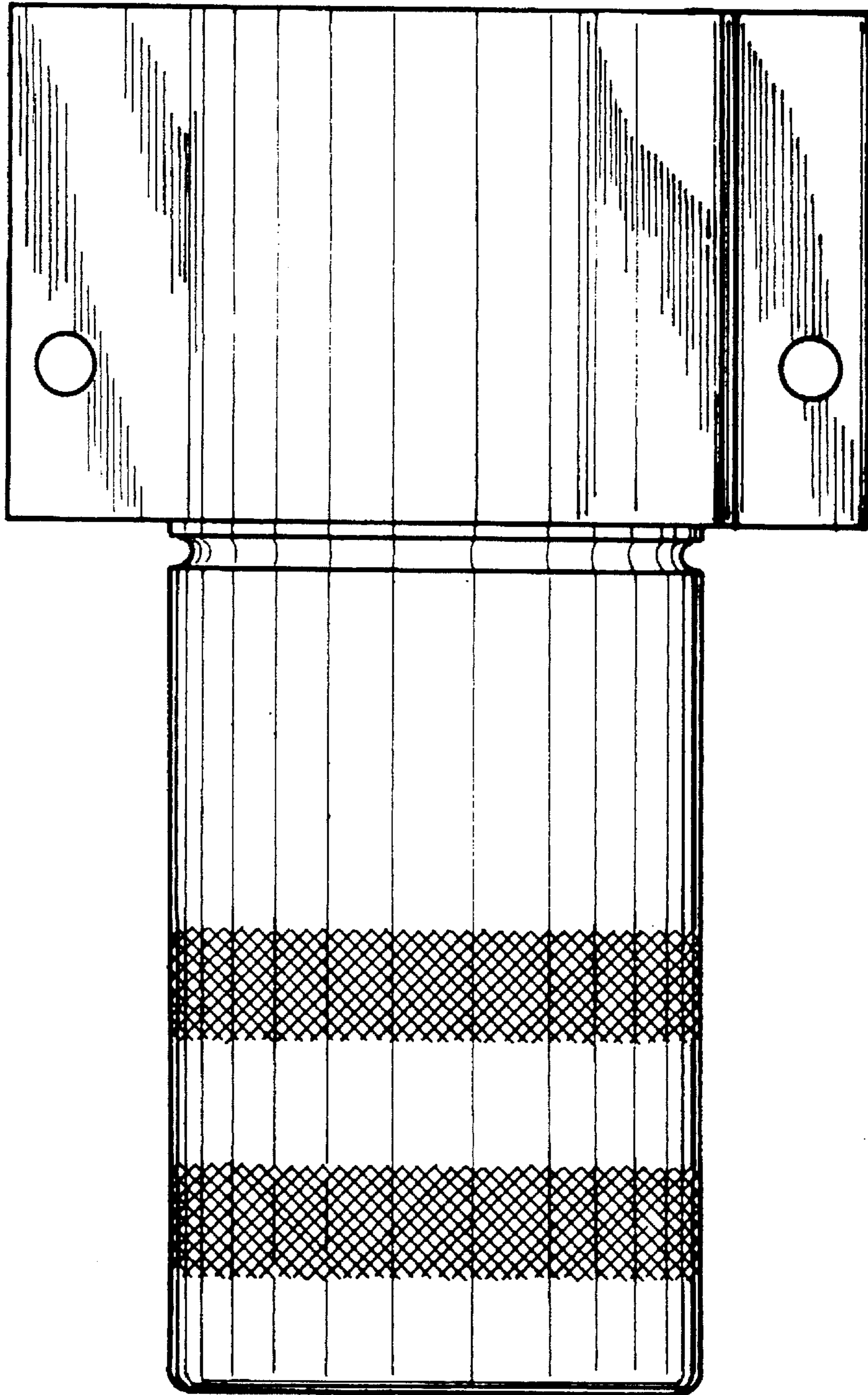


FIG. 1

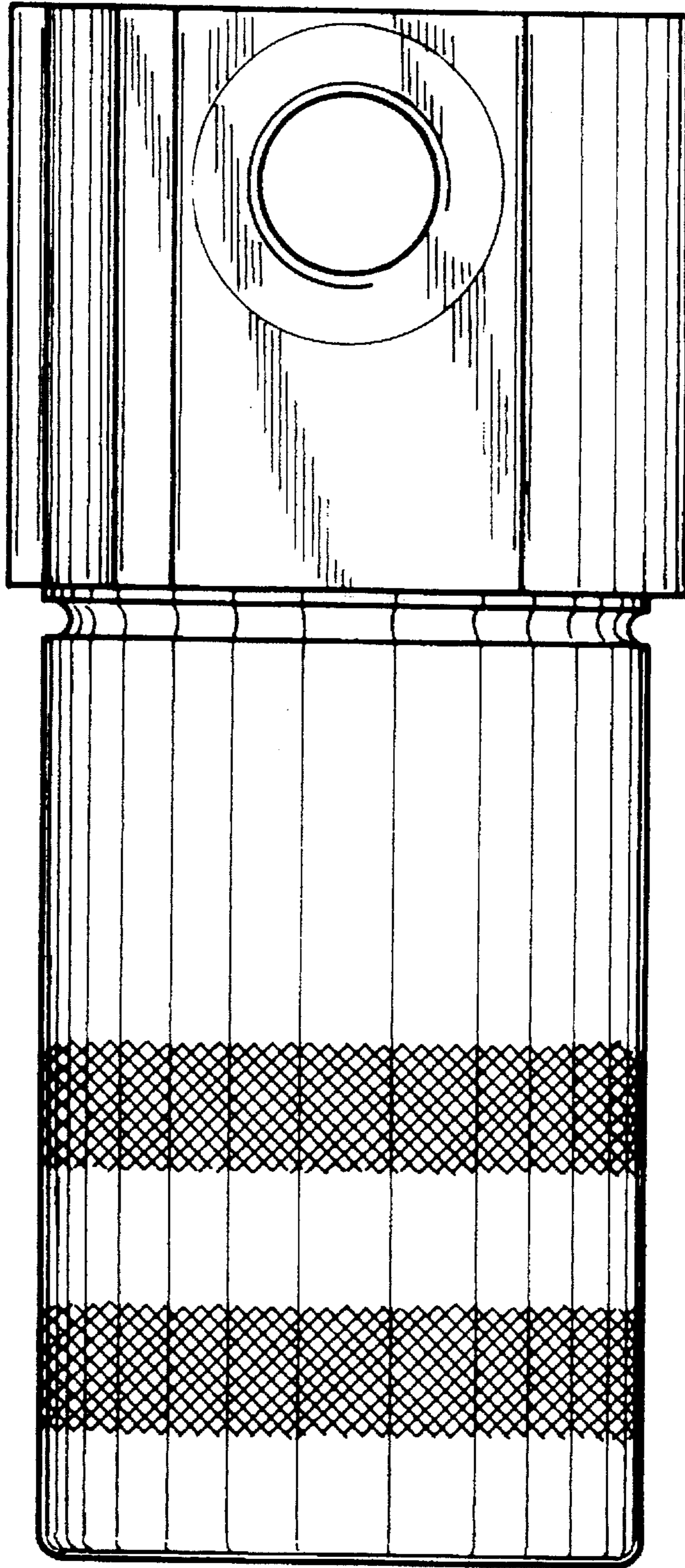


FIG. 2

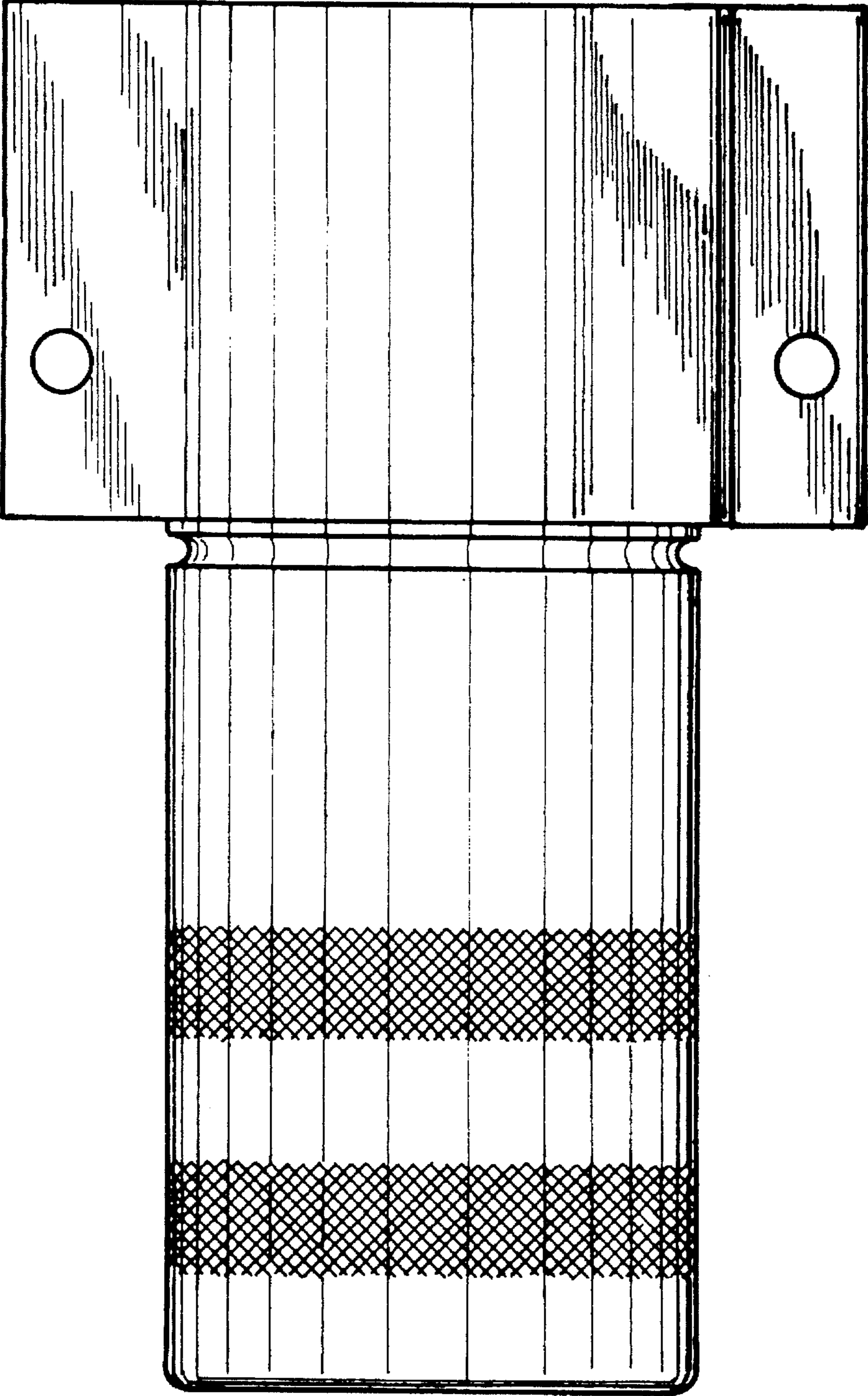


FIG. 3

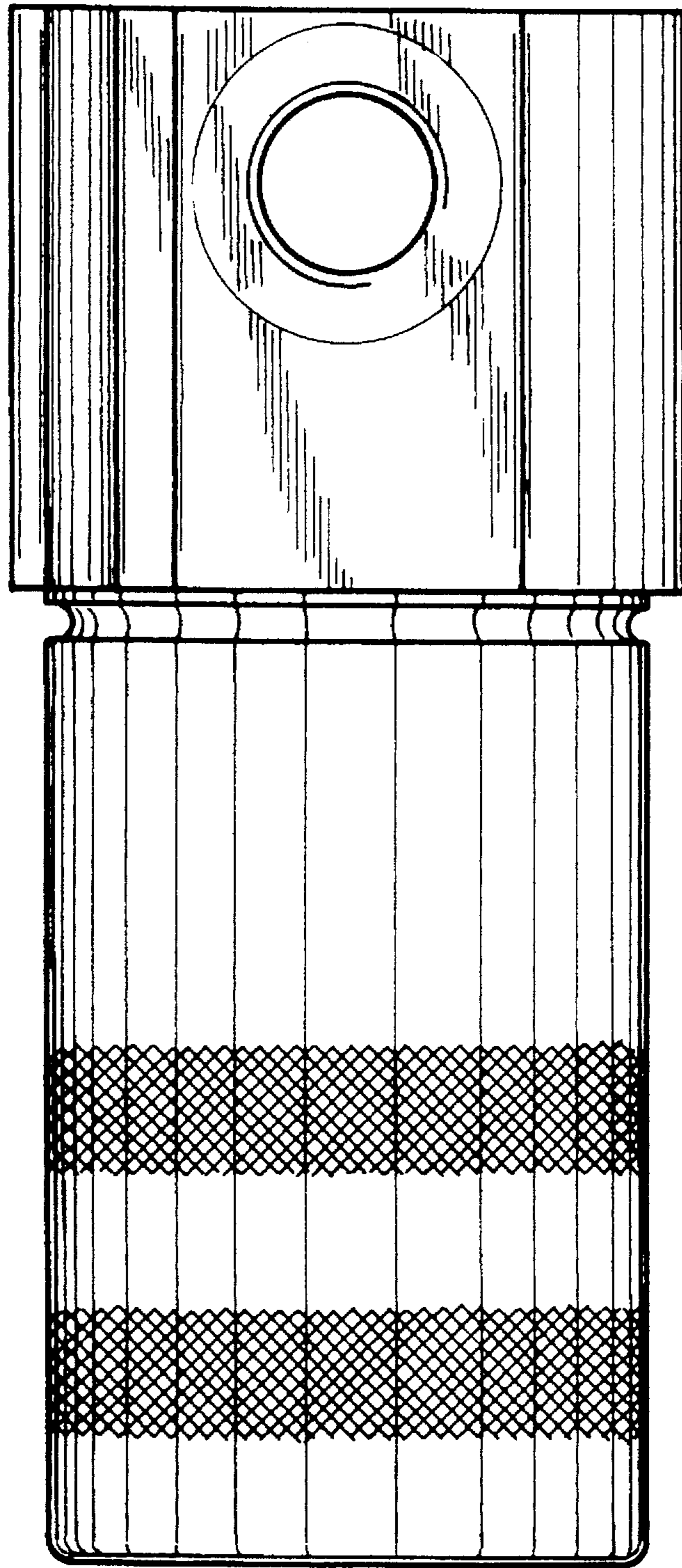


FIG. 4

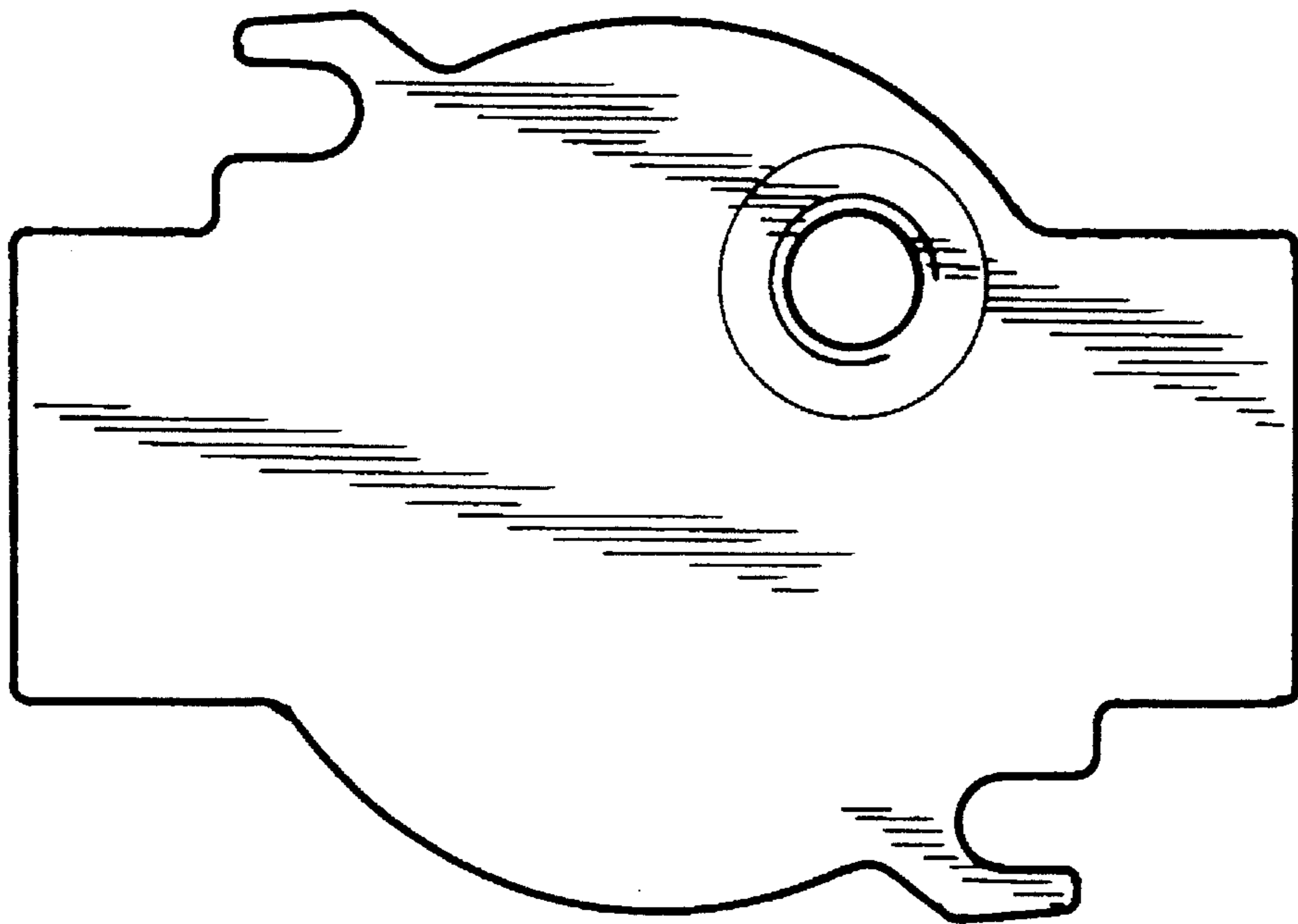


FIG. 5

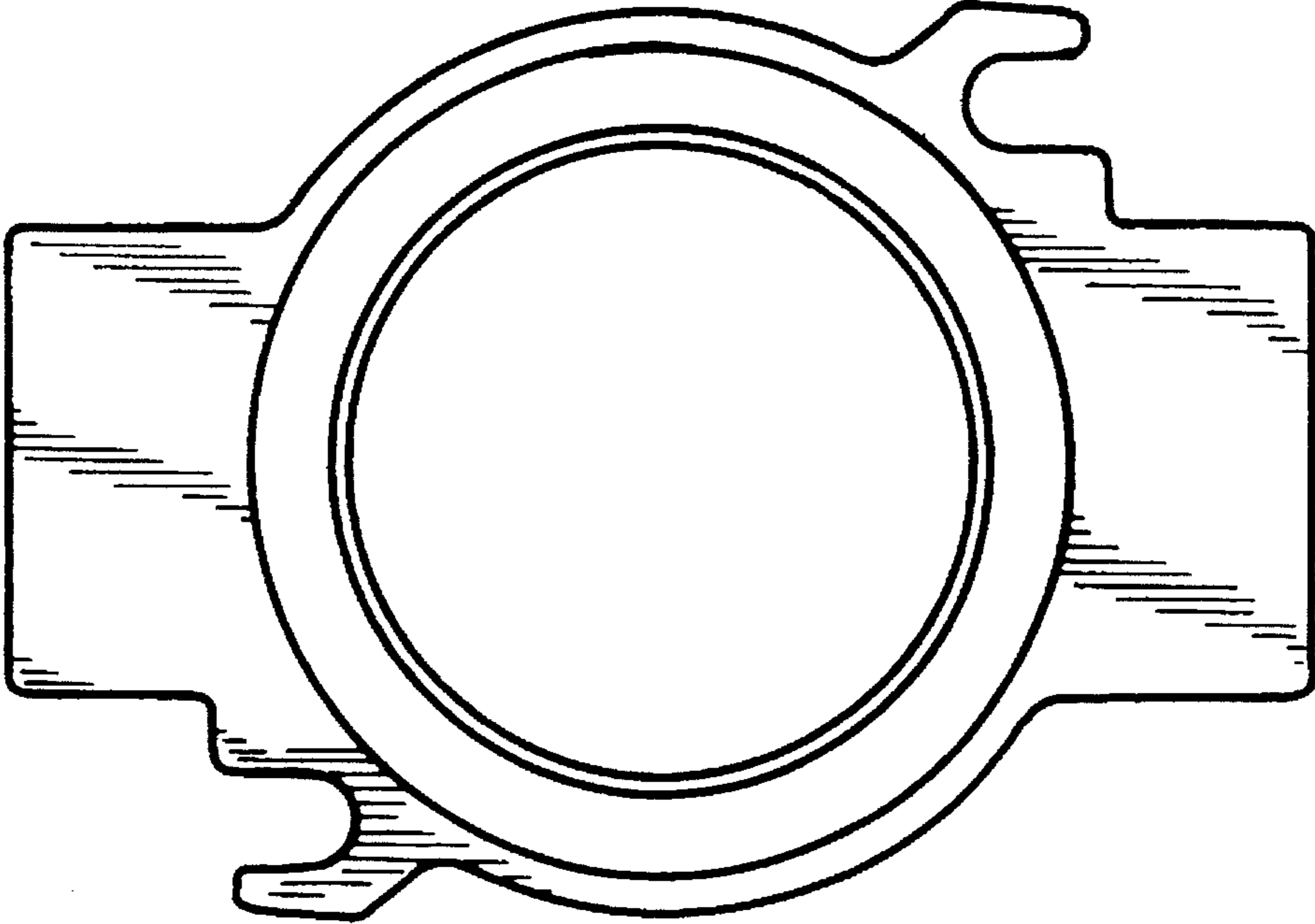


FIG. 6

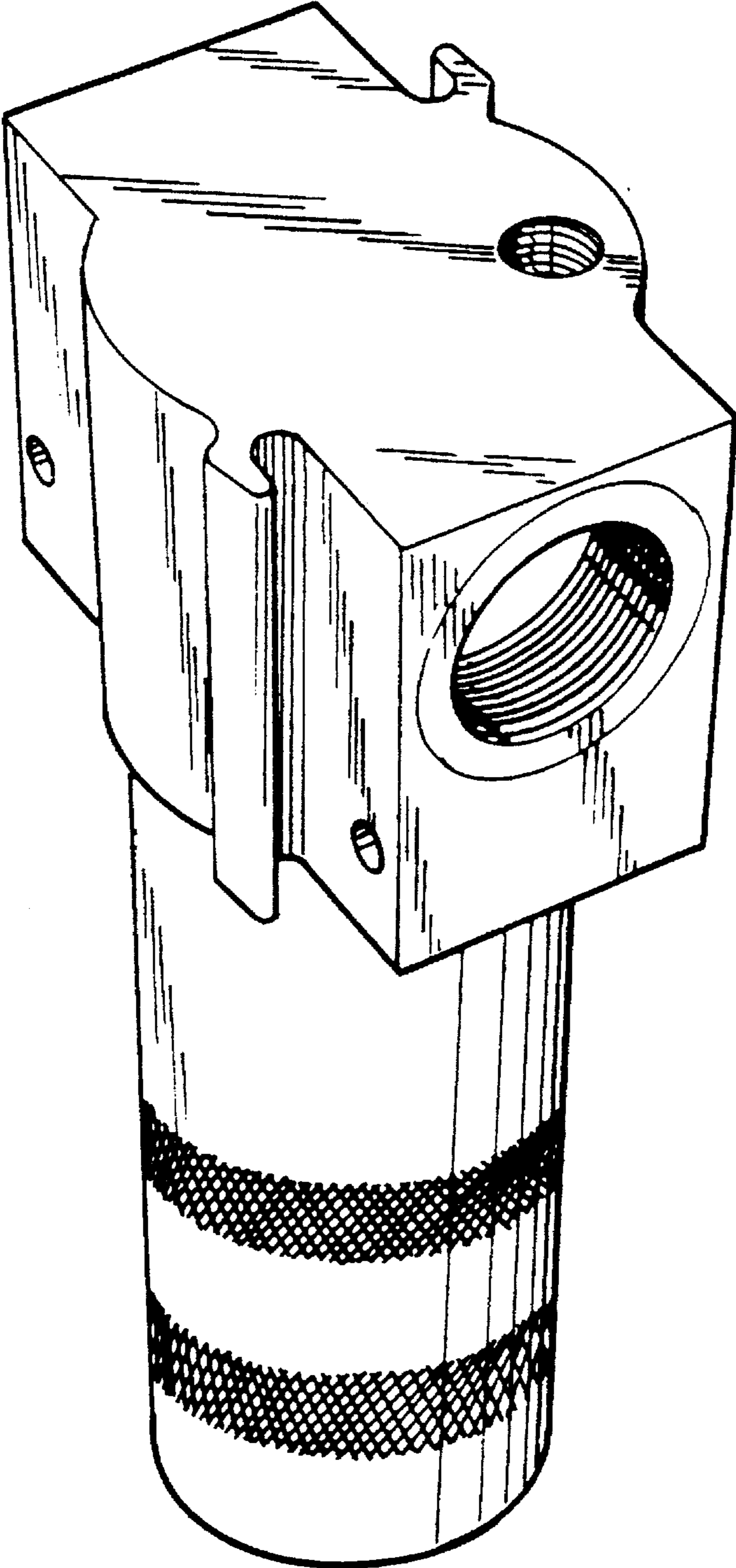


FIG. 7