



US00D374909S

United States Patent [19]

Kaneko et al.

[11] Patent Number: **Des. 374,909**

[45] Date of Patent: ****Oct. 22, 1996**

[54] **LINE ROLLER FOR A SPINNING FISHING REEL**

[75] Inventors: **Kyoichi Kaneko; Eiji Shinohara**, both of Higashikurume, Japan

[73] Assignee: **Daiwa Seiko, Inc.**, Higashikurume, Japan

[**] Term: **14 Years**

[21] Appl. No.: **45,854**

[22] Filed: **Oct. 31, 1995**

Related U.S. Application Data

[62] Division of Ser. No. 29,010, Sep. 27, 1994.

Foreign Application Priority Data

Jun. 15, 1994 [JP] Japan 6-17598
Jul. 22, 1994 [JP] Japan 6-22187

[52] U.S. Cl. **D22/141**

[58] Field of Search D22/141, 137, D22/138; 242/230-233, 615.2, 157 R

References Cited

U.S. PATENT DOCUMENTS

4,562,976 1/1986 Ban 242/231
4,884,761 12/1989 Kuntze 242/230
4,884,762 12/1989 Tunoda D22/141 X

4,898,339 2/1990 Takeuchi 242/231
4,969,613 11/1990 Kaneko 242/231
5,149,006 9/1992 Hitomi 242/231
5,261,627 11/1993 Shinohara 242/231

FOREIGN PATENT DOCUMENTS

479103 2/1978 Japan .
693545 8/1986 Japan .

OTHER PUBLICATIONS

Catalog—"Super Metal Age"—issued Mar. 1, 1989 by Daiwa Seiko, Inc. Super BB Line Roller.

Primary Examiner—Doris V. Coles
Attorney, Agent, or Firm—Cushman Darby & Cushman, L.L.P.

[57] CLAIM

The ornamental design for a line roller for a spinning fishing reel, as shown and described.

DESCRIPTION

FIG. 1 is a front and left side of the perspective view of a line roller for a spinning fishing reel showing our new design; FIG. 2 is a front elevational view thereof; FIG. 3 is a left side elevational view thereof; FIG. 4 is a right side elevational view thereof; and, FIG. 5 is a cross sectional view thereof on line 5—5 of FIG. 2.

1 Claim, 1 Drawing Sheet

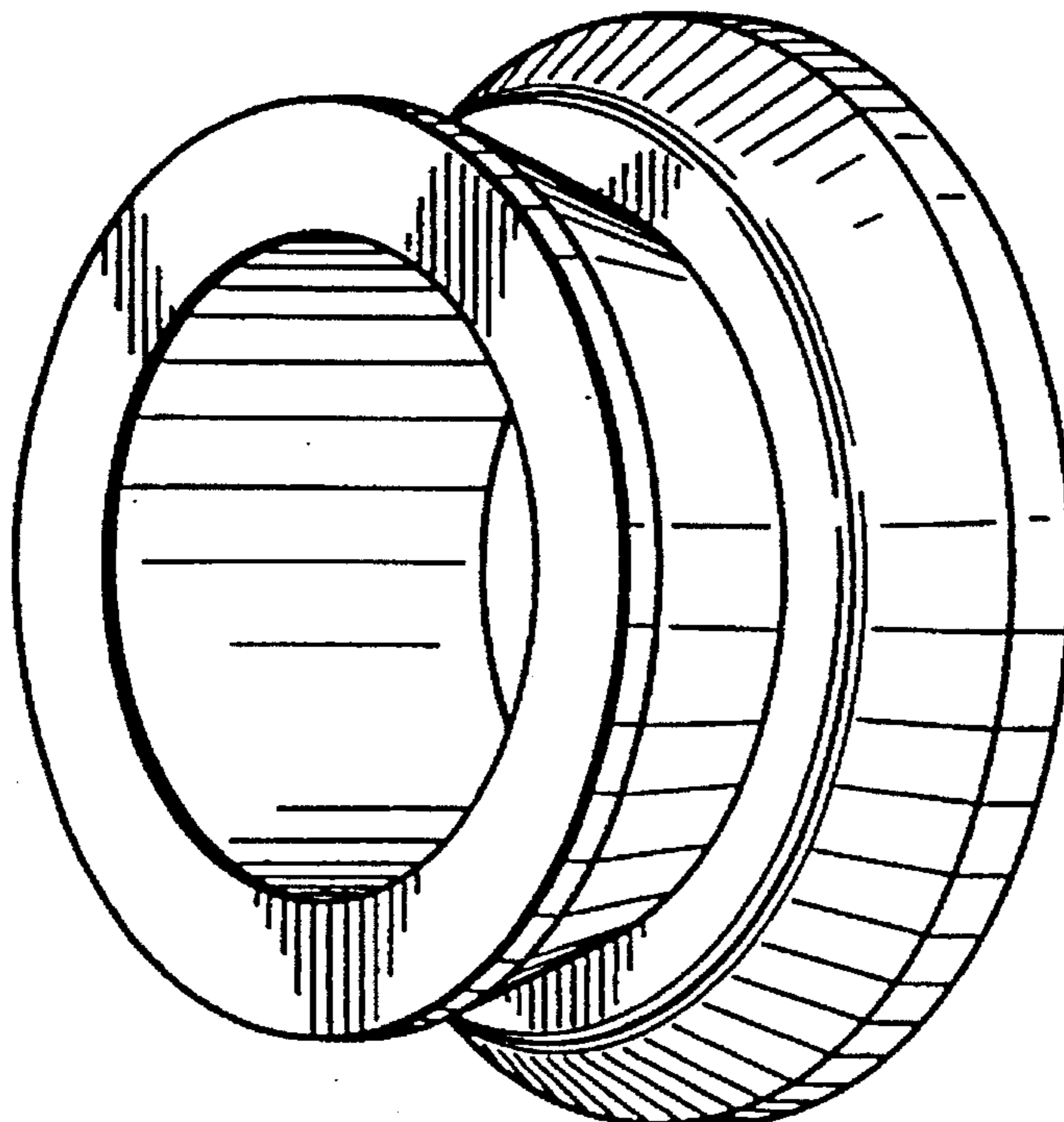


FIG. 1

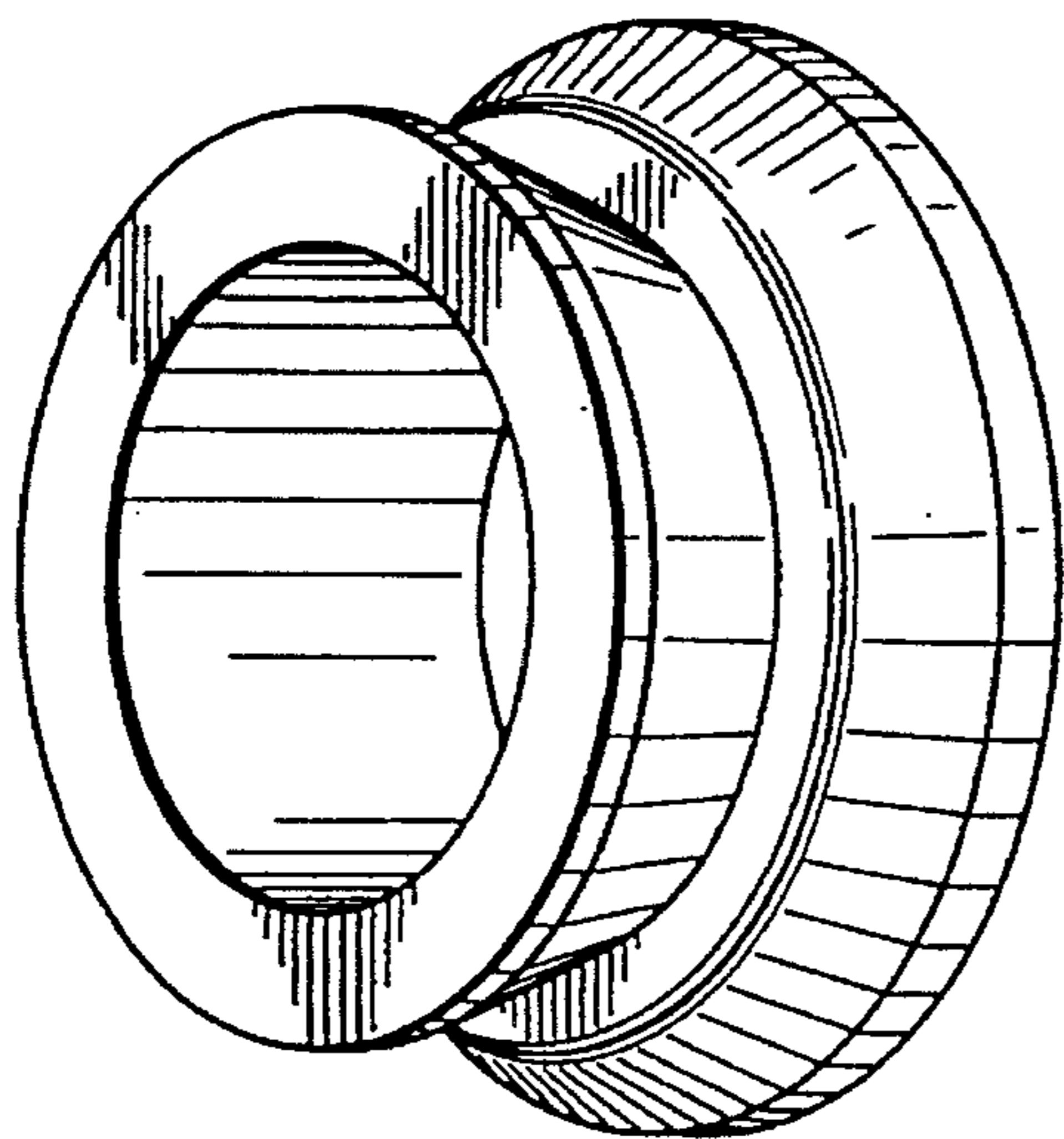


FIG. 2

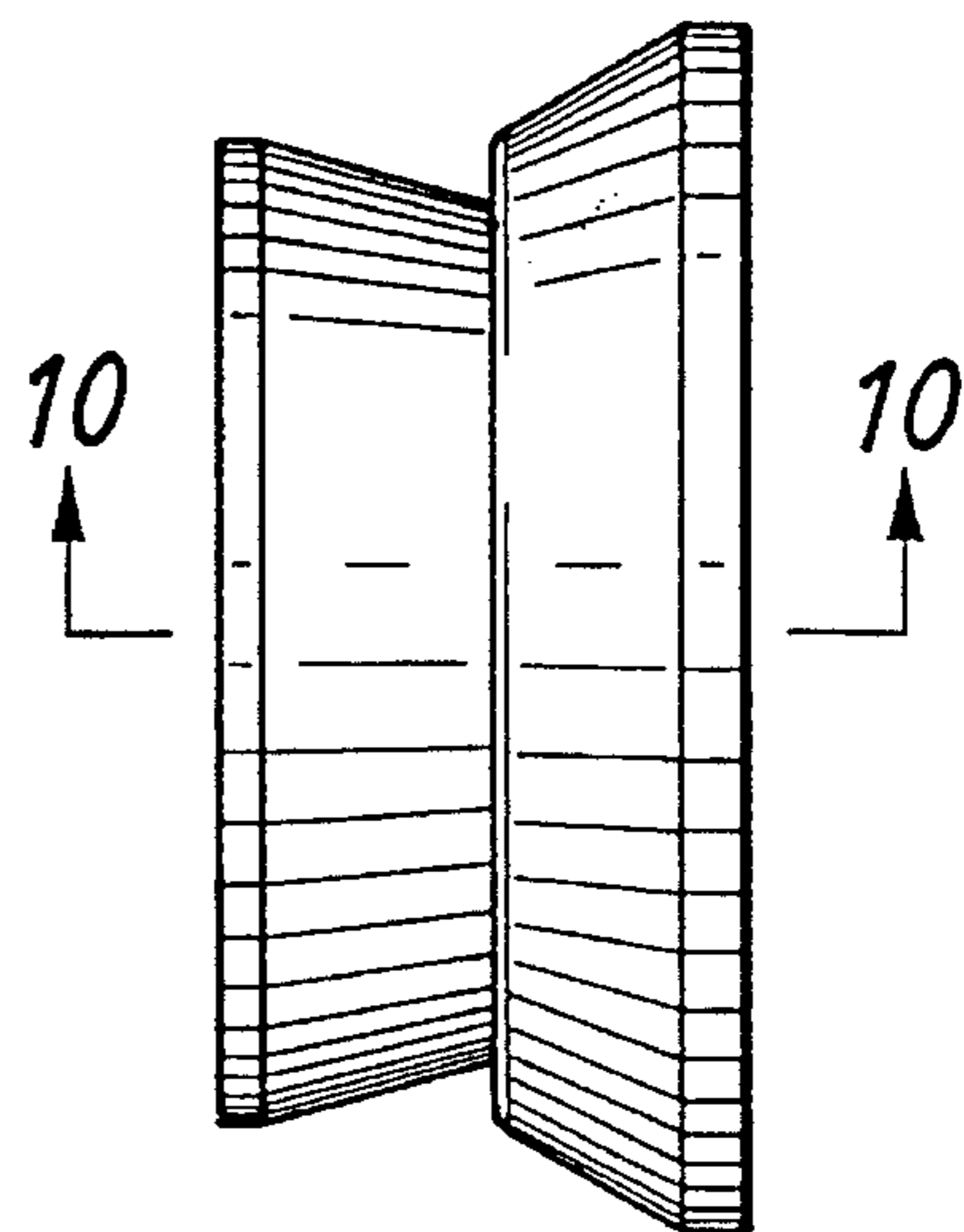


FIG. 3

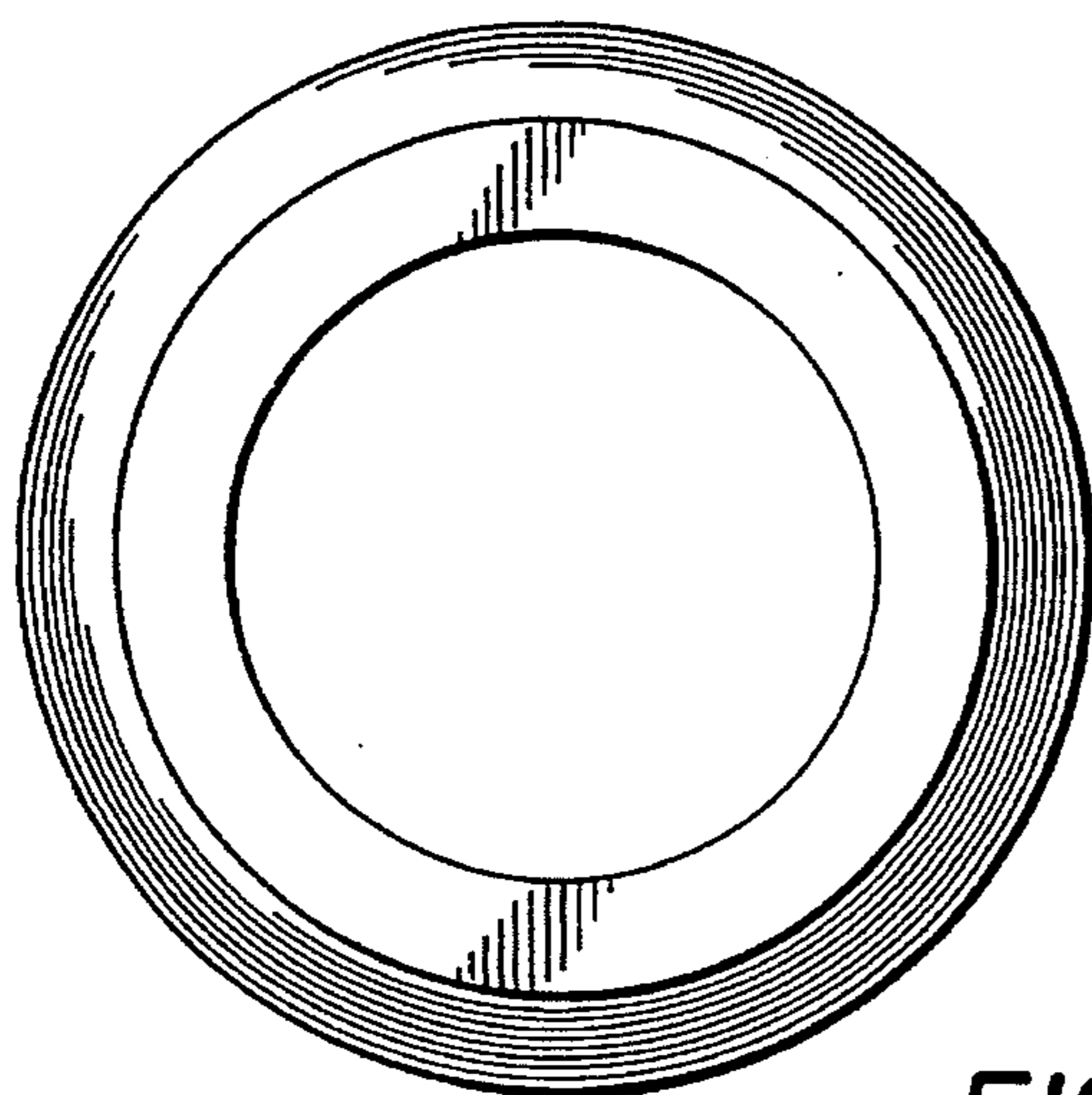


FIG. 4

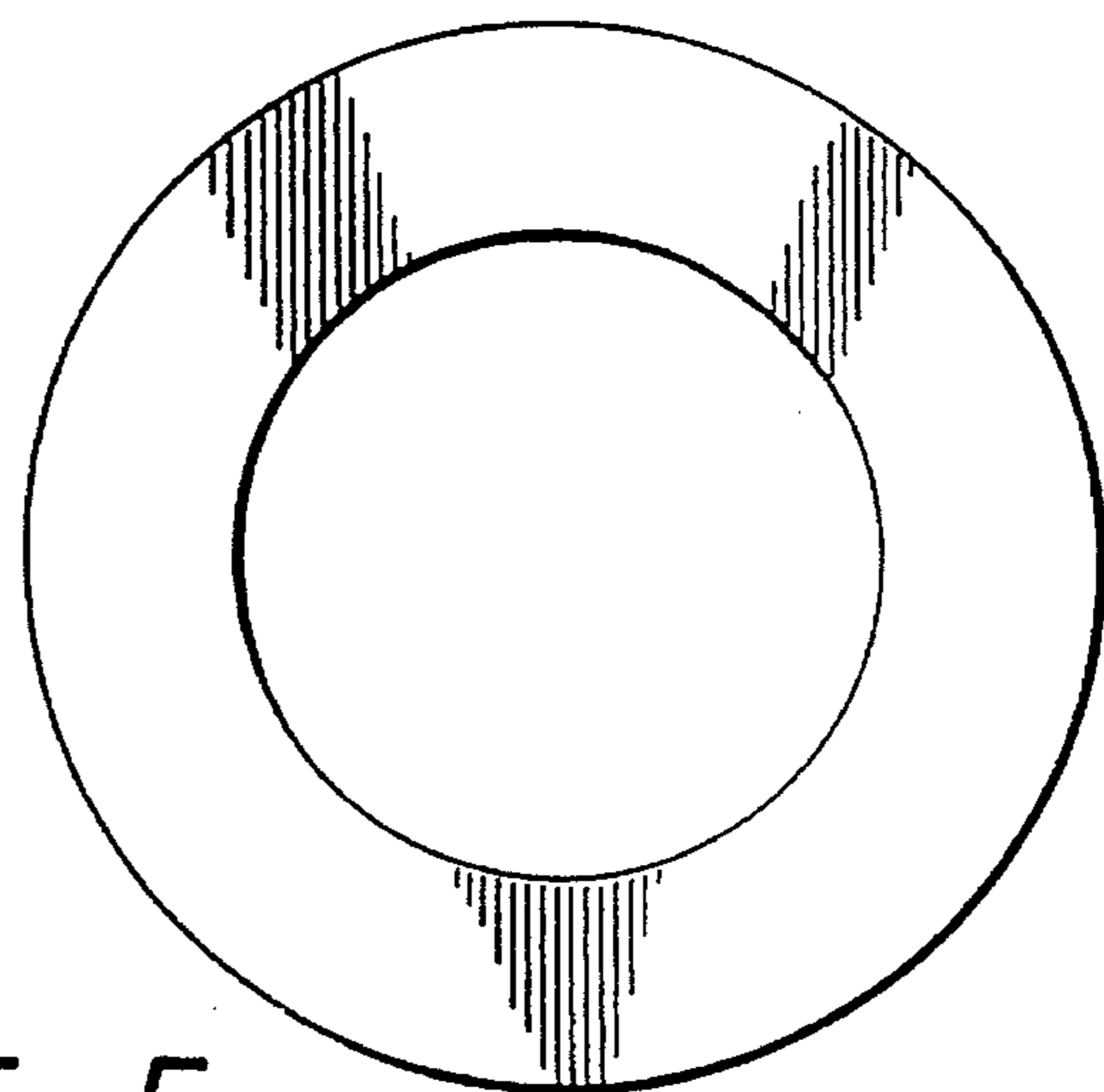


FIG. 5

