



US00D374908S

United States Patent [19]
Koelewyn

[11] **Patent Number: Des. 374,908**
[45] **Date of Patent: **Oct. 22, 1996**

[54] **FISHING REEL**

[57] **CLAIM**

[76] Inventor: **Robert W. Koelewyn**, 110 Birchwood Rd., Fairfield, Conn. 06430

The ornamental design for a fishing reel, as shown and described.

[**] Term: **14 Years**

DESCRIPTION

[21] Appl. No.: **21,232**

[22] Filed: **Apr. 12, 1994**

Related U.S. Application Data

[63] Continuation-in-part of Ser. No. 2,638, Dec. 15, 1992, abandoned.

[52] **U.S. Cl.** **D22/141**

[58] **Field of Search** D22/141, 140;
242/230-232, 235, 242-246

FIG. 1 is a left side elevational view of a first embodiment of a fishing reel of this invention;
FIG. 2 is a front view of the fishing reel of FIG. 1;
FIG. 3 is a right side elevational view of the fishing reel of FIG. 1;
FIG. 4 is a rear view of the fishing reel of FIG. 1;
FIG. 5 is a bottom view of the fishing reel of FIG. 1;
FIG. 6 is a top view of the fishing reel of FIG. 1;
FIG. 7 is a left side elevational view of a second embodiment of a fishing reel of this invention;
FIG. 8 is a front view of the fishing reel of FIG. 7;
FIG. 9 is a right side elevational view of the fishing reel of FIG. 7;
FIG. 10 is a rear view of the fishing reel of FIG. 7;
FIG. 11 is a bottom view of the fishing reel of FIG. 7;
FIG. 12 is a top view of the fishing reel of FIG. 7;
FIG. 13 is a left side elevational view of a third embodiment of a fishing reel of this invention;
FIG. 14 is a front view of the fishing reel of FIG. 13;
FIG. 15 is a right side elevational view of the fishing reel of FIG. 13;
FIG. 16 is a rear view of the fishing reel of FIG. 13;
FIG. 17 is a bottom view of the fishing reel of FIG. 13; and,
FIG. 18 is a top view of the fishing reel of FIG. 13.

[56] **References Cited**

U.S. PATENT DOCUMENTS

D. 150,213	7/1948	Denys	D22/141
D. 178,599	8/1956	Genero	D22/141
D. 208,910	10/1967	Mimeur	D22/141
D. 223,605	5/1972	Endo	D22/141
2,762,579	9/1956	Mauborgne	242/232
2,942,798	6/1960	Alinari	242/232

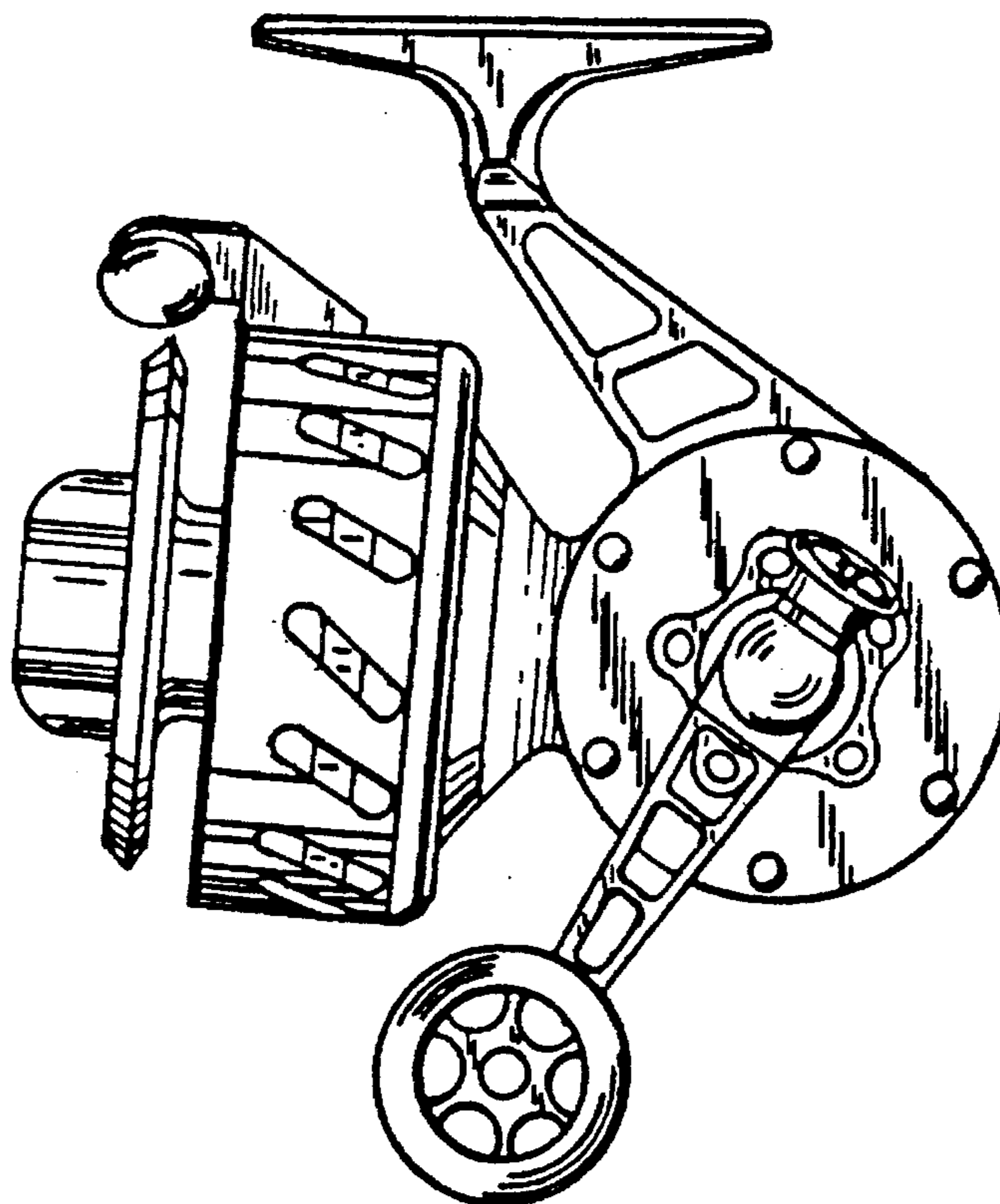
OTHER PUBLICATIONS

Netcraft Fishing Tackle Co., ©1967, Catalog 67B True Temper Reel.

Primary Examiner—Doris V. Coles

Attorney, Agent, or Firm—Parmelee, Bollinger & Bramblett;
James R. Frederick

1 Claim, 4 Drawing Sheets



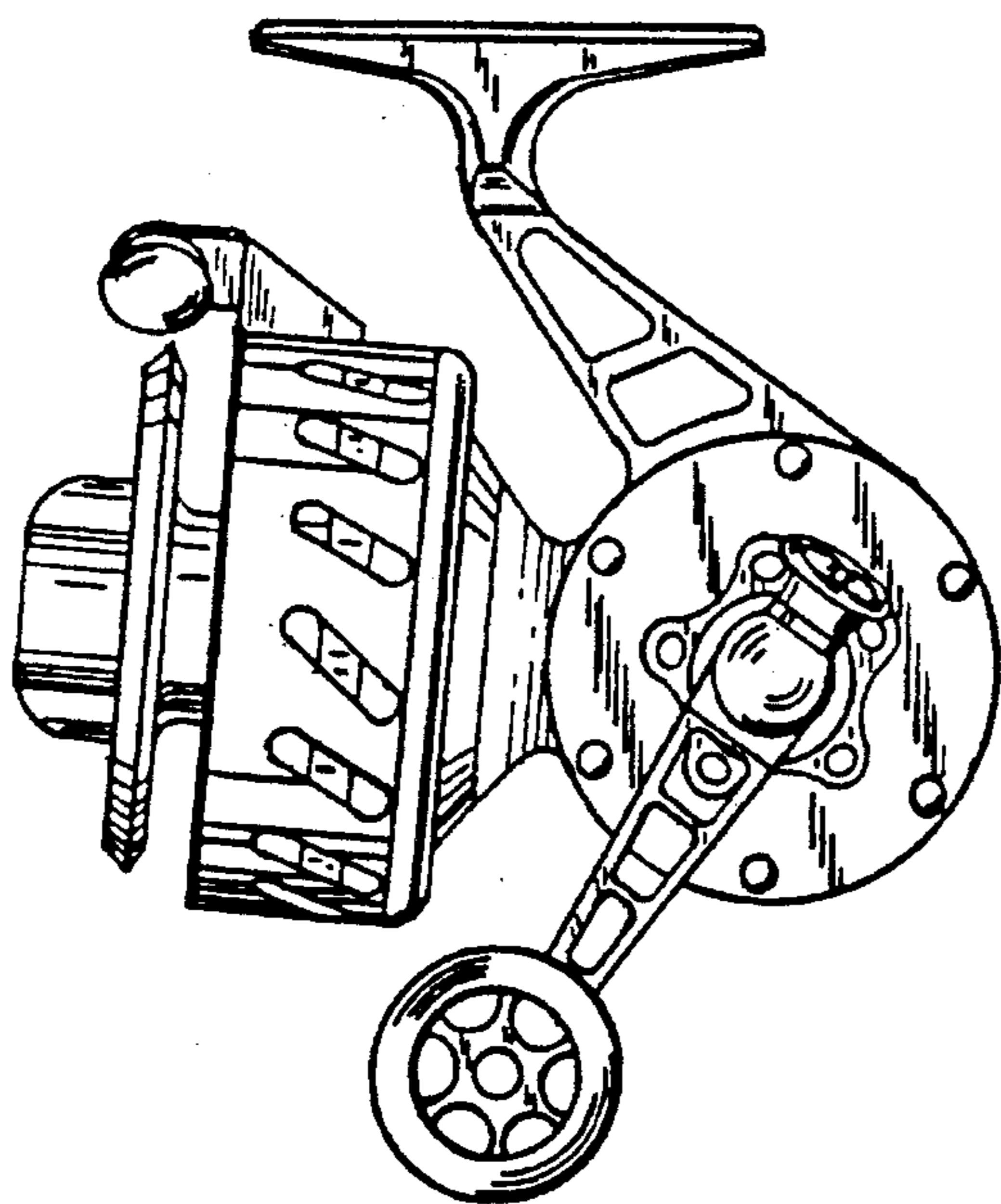


FIG. 1

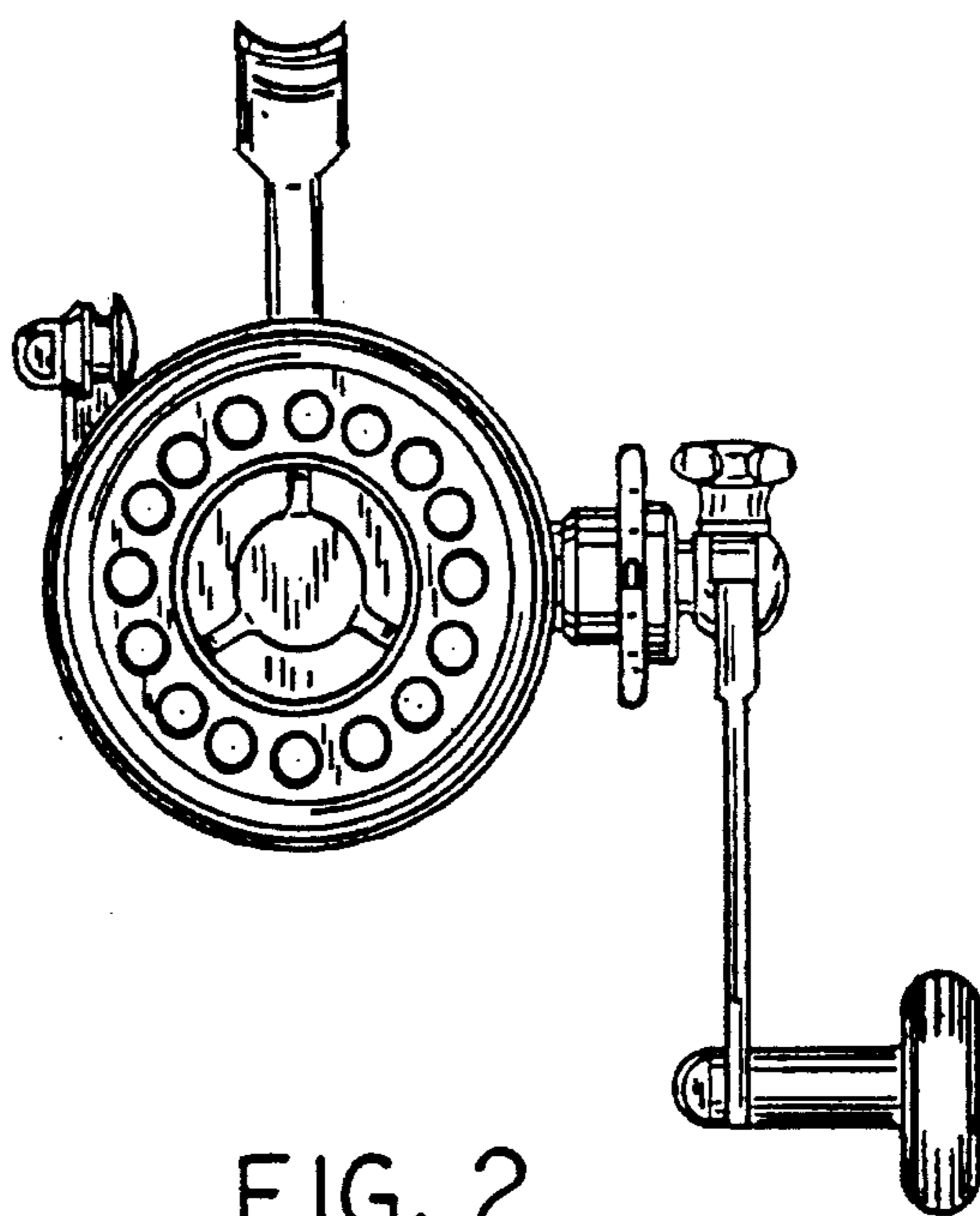


FIG. 2

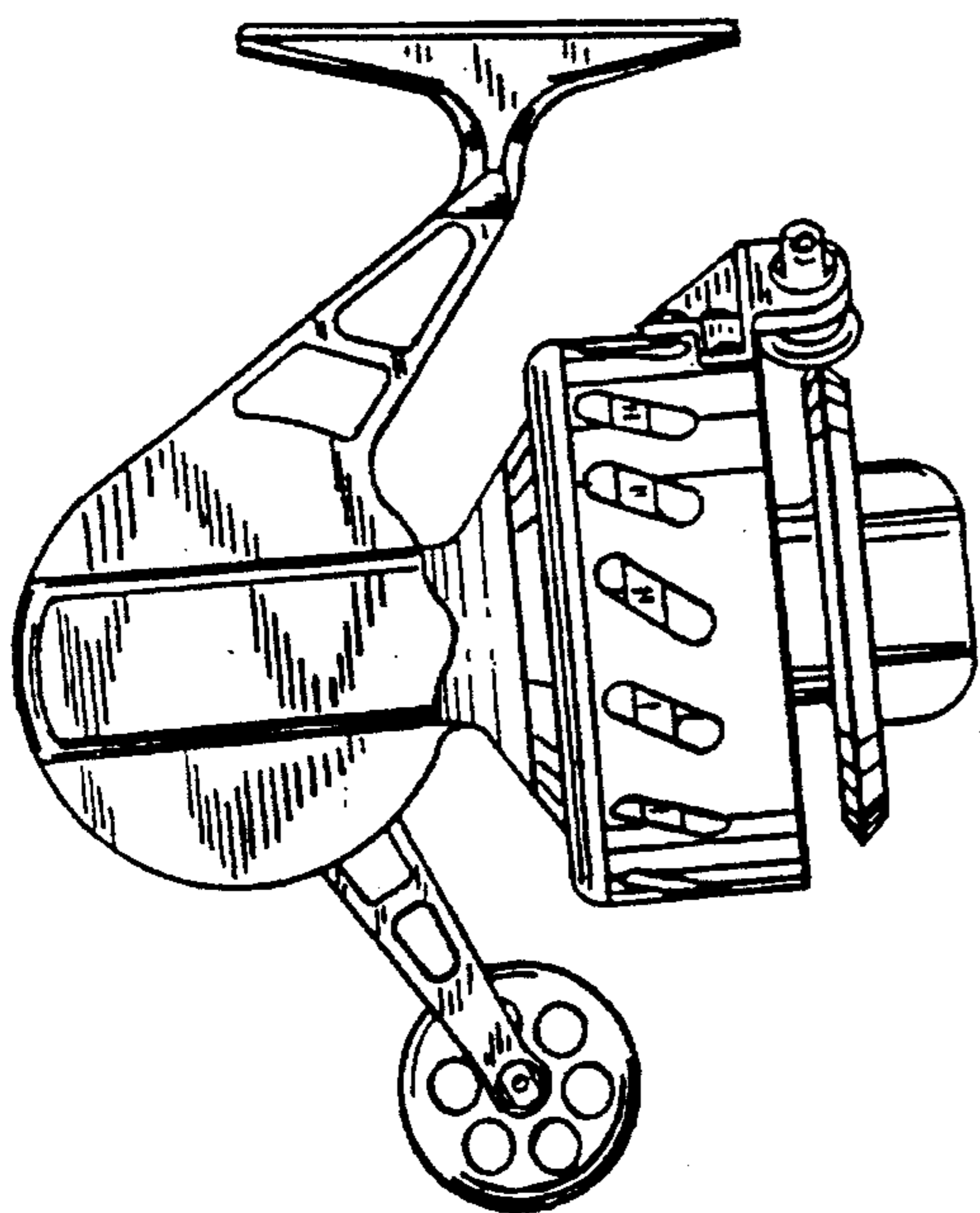


FIG. 3

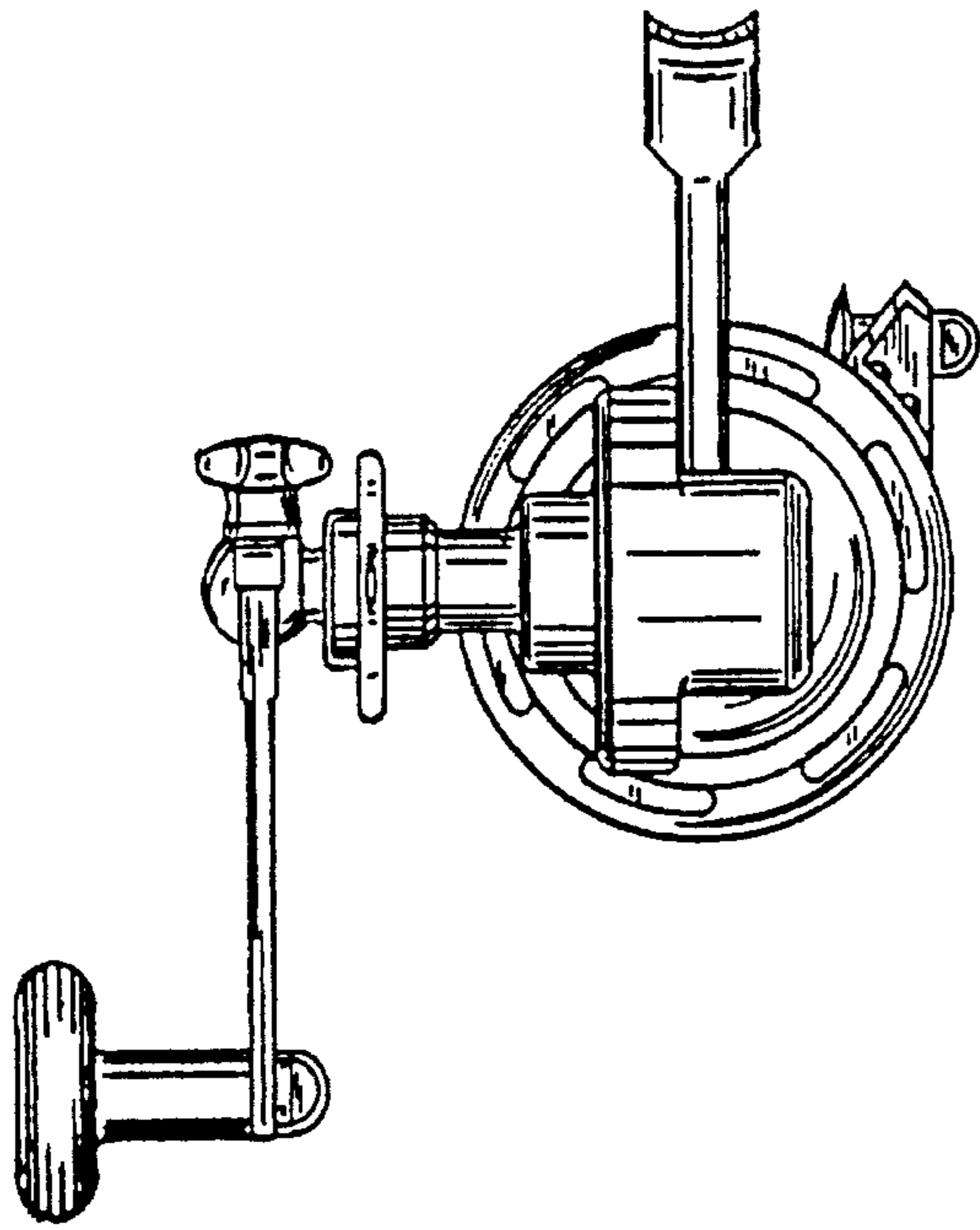


FIG. 4

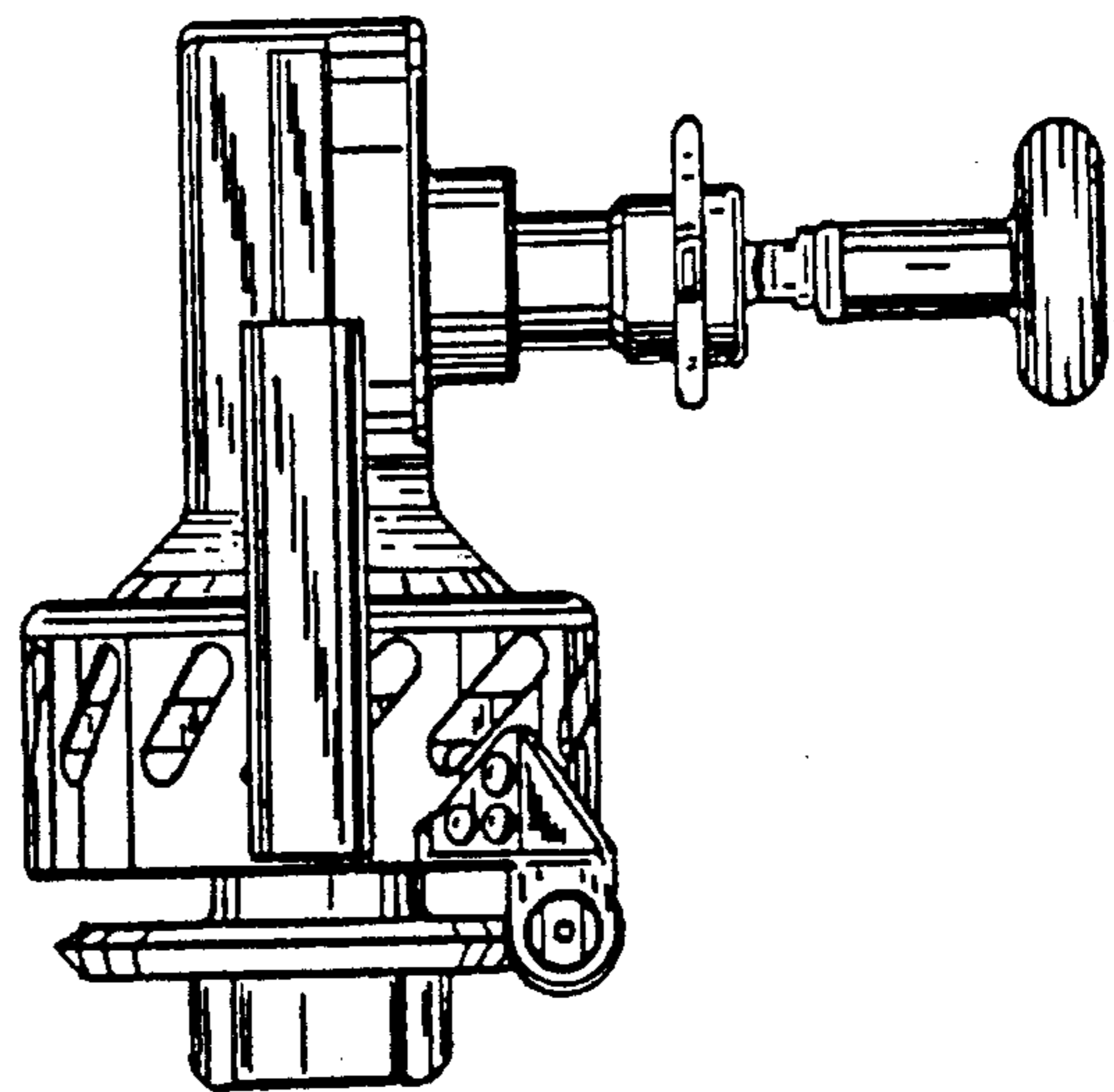


FIG. 5

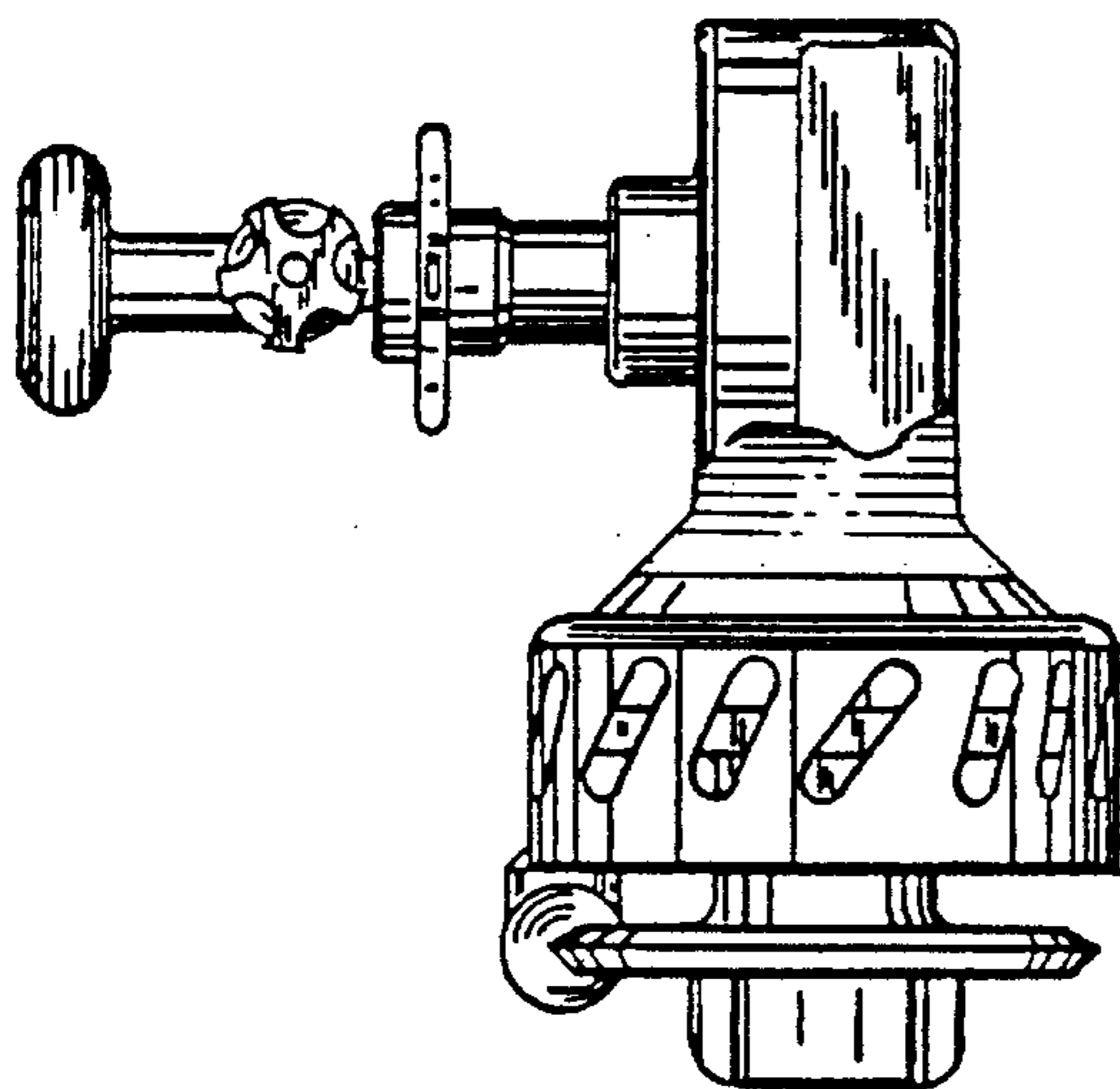


FIG. 6

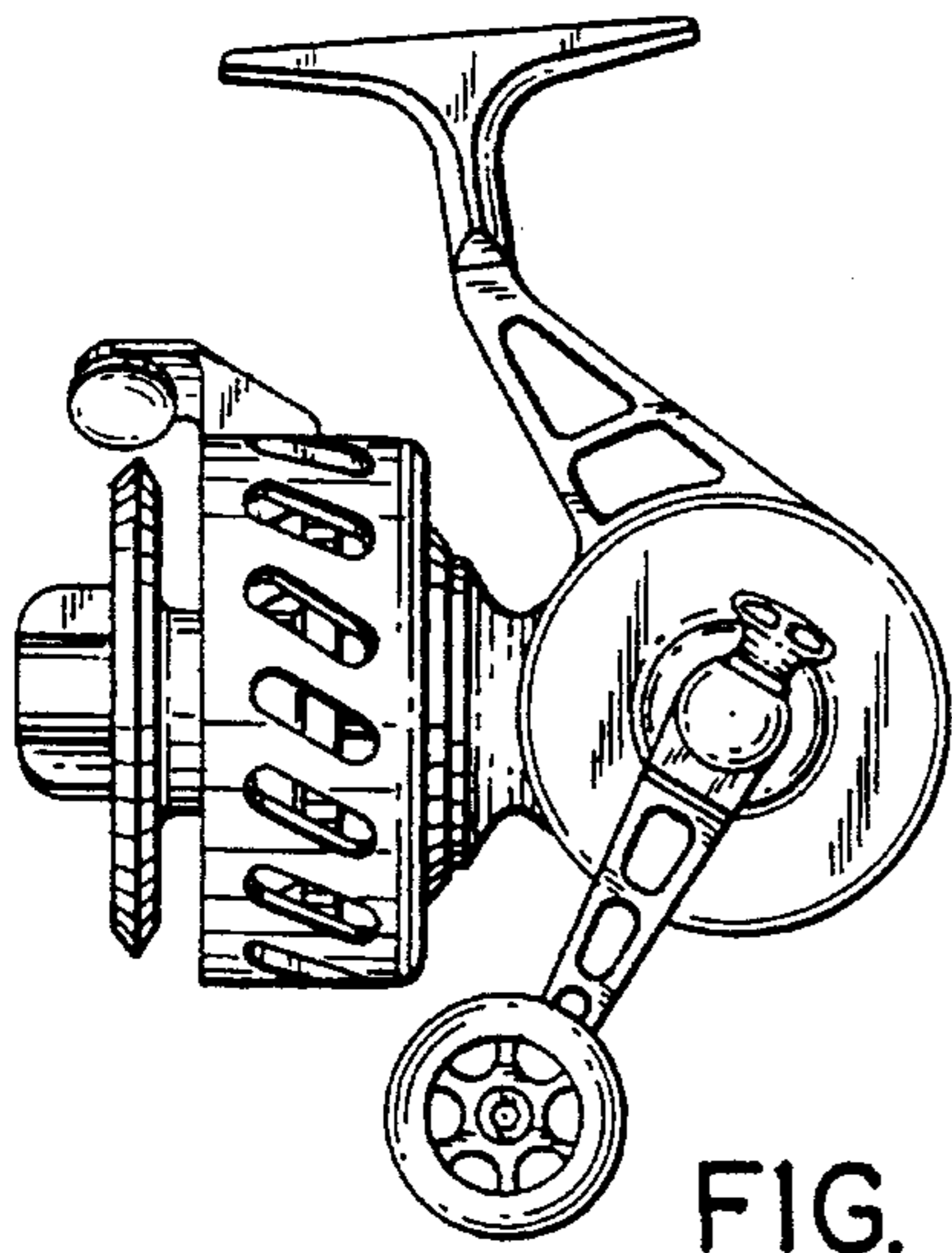


FIG. 7

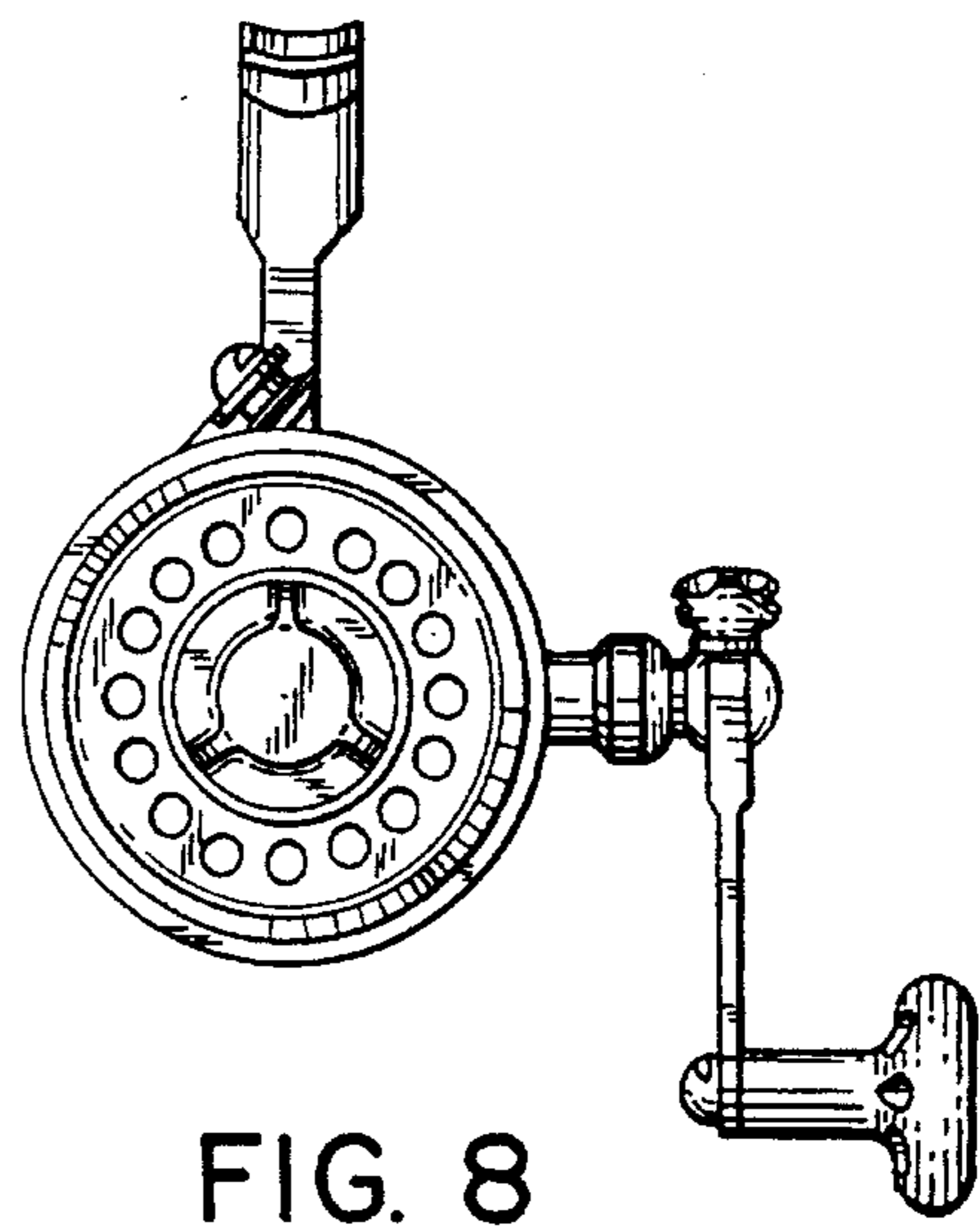


FIG. 8

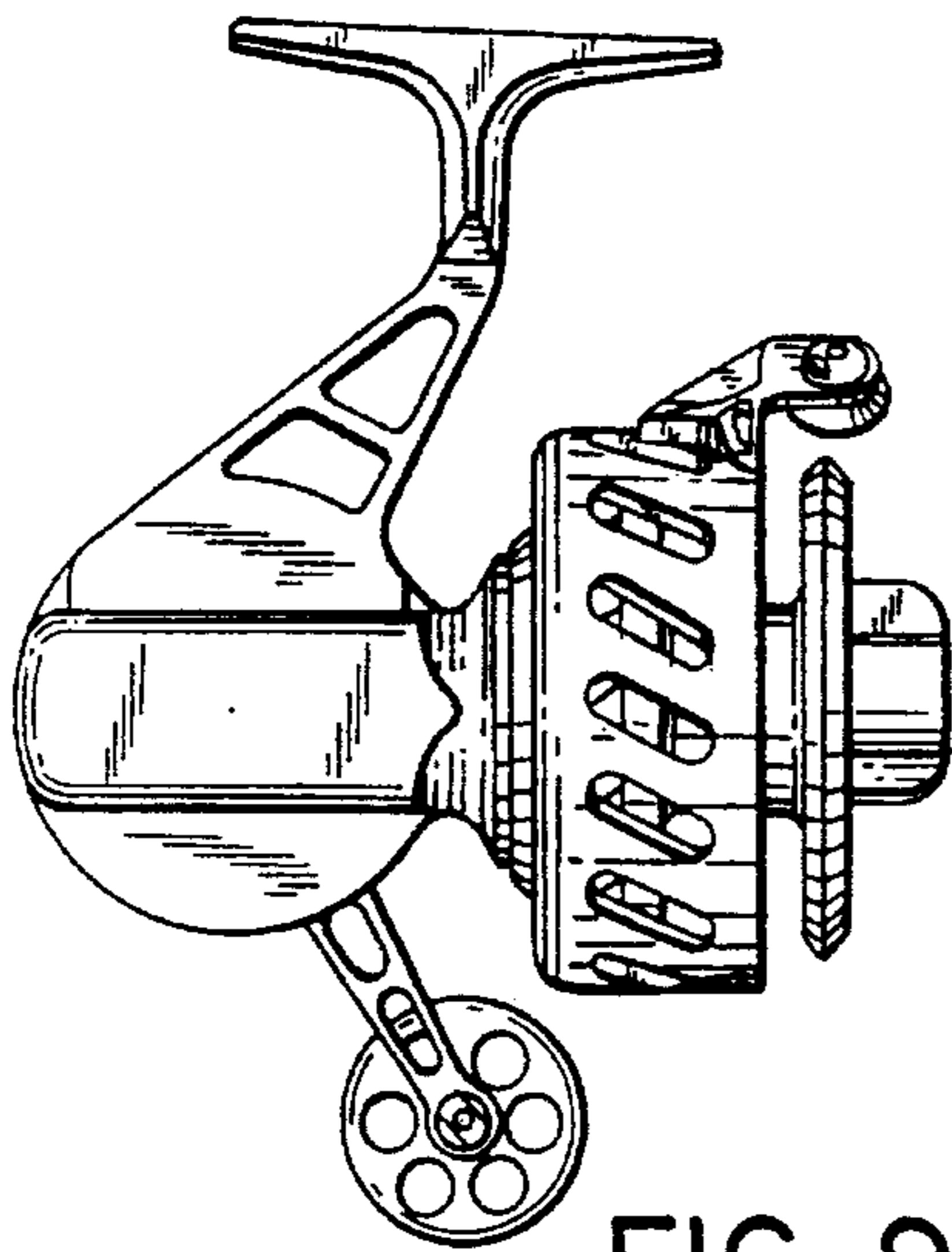


FIG. 9

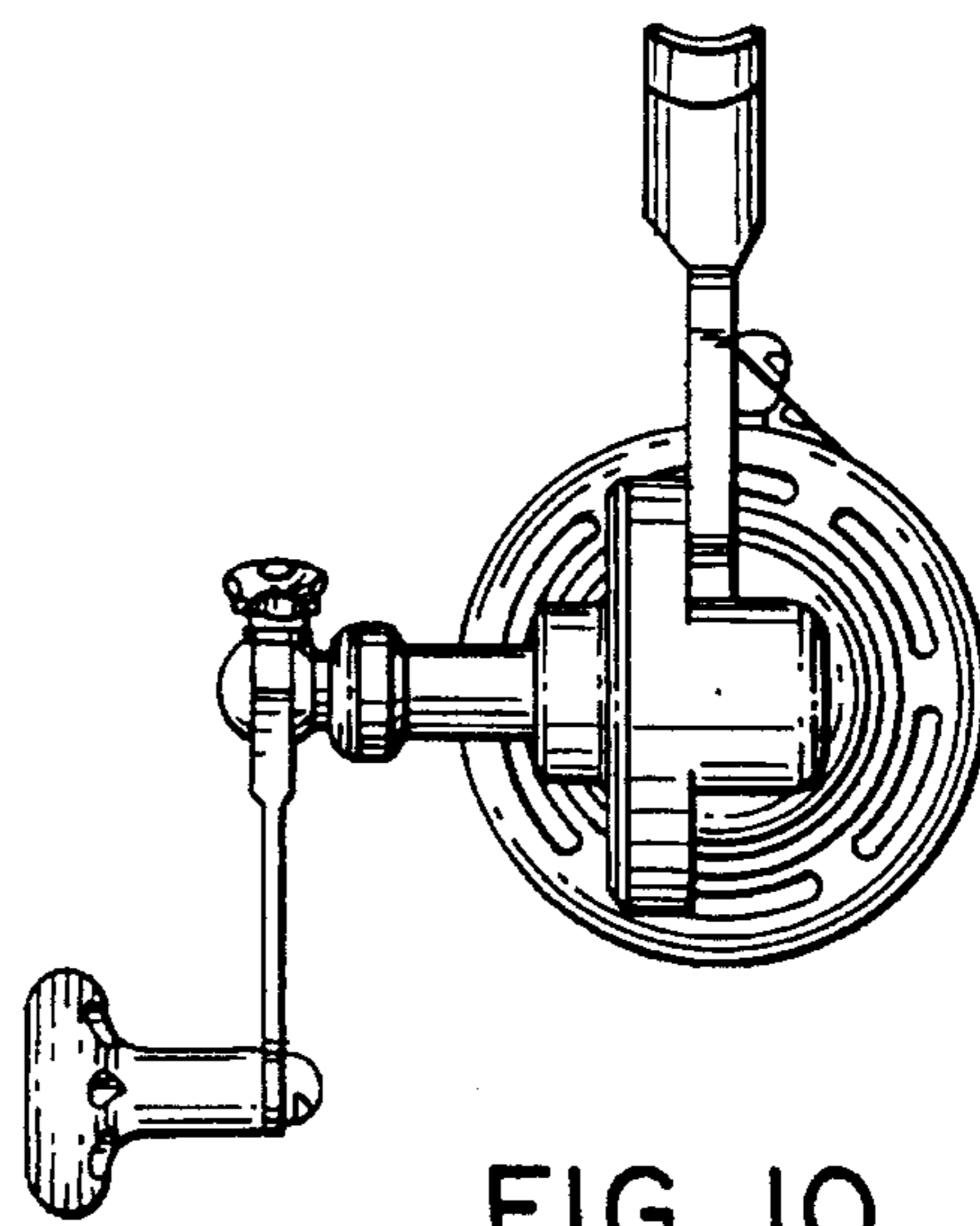


FIG. 10

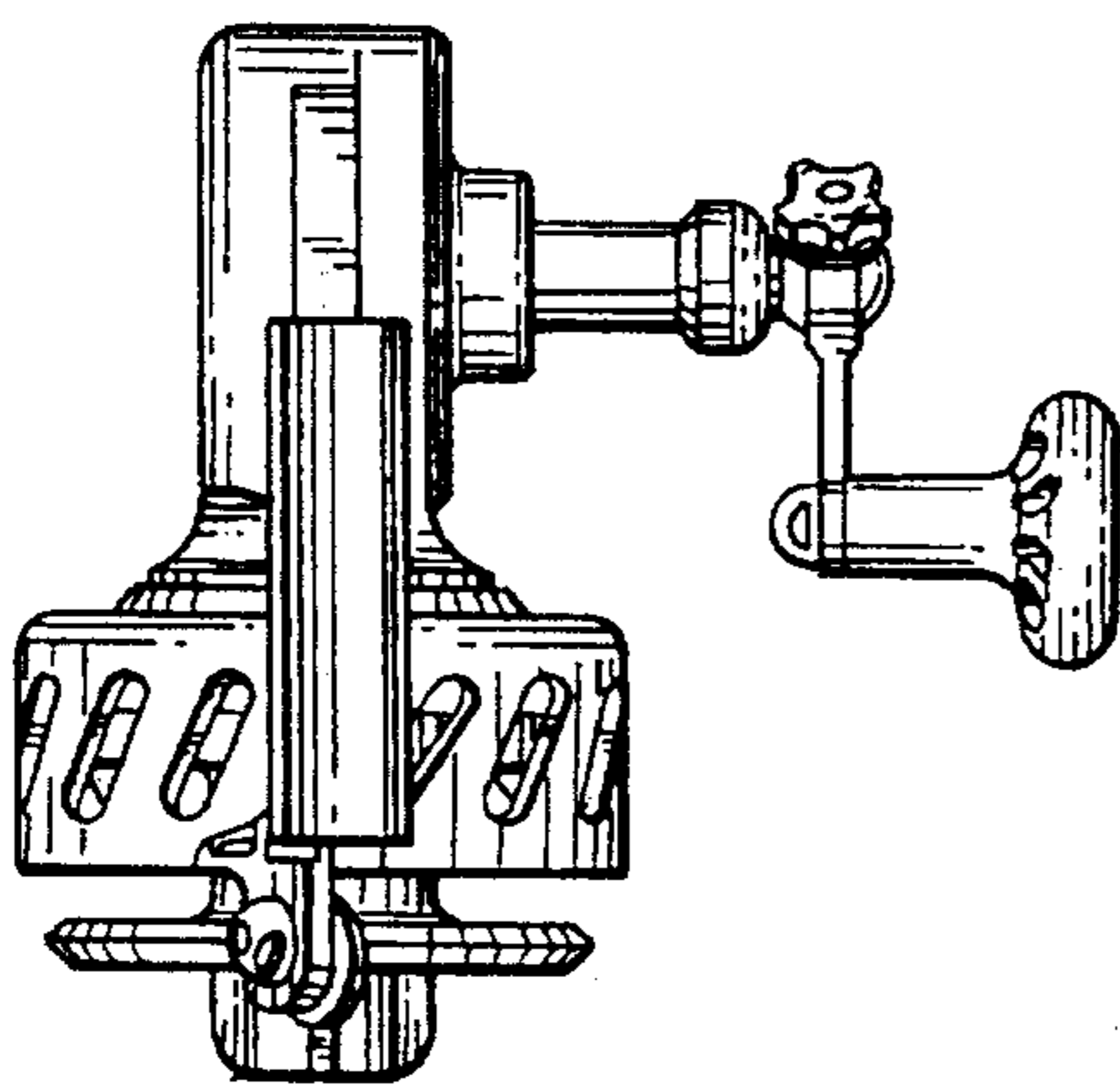


FIG. 11

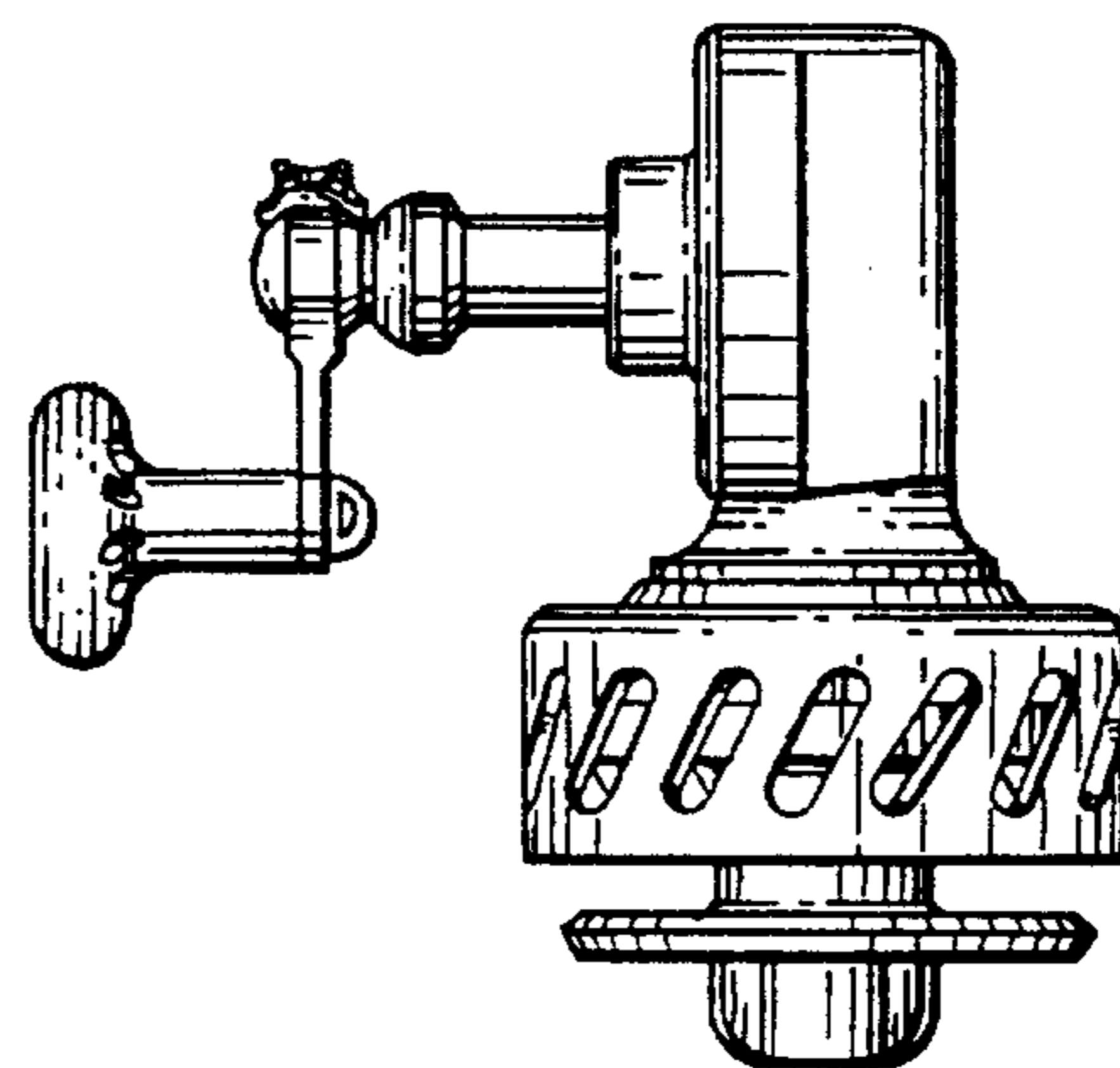


FIG. 12

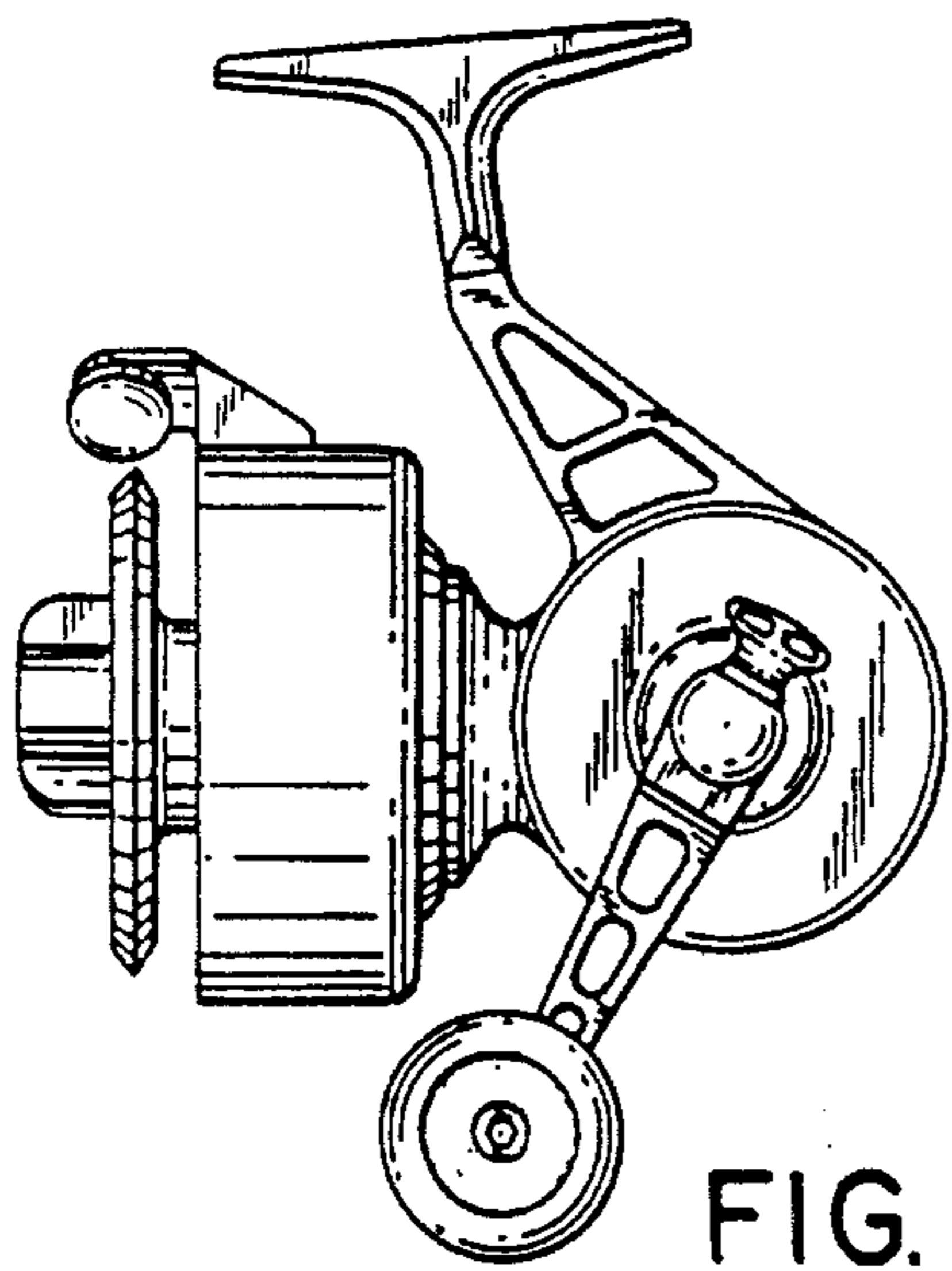


FIG. 13

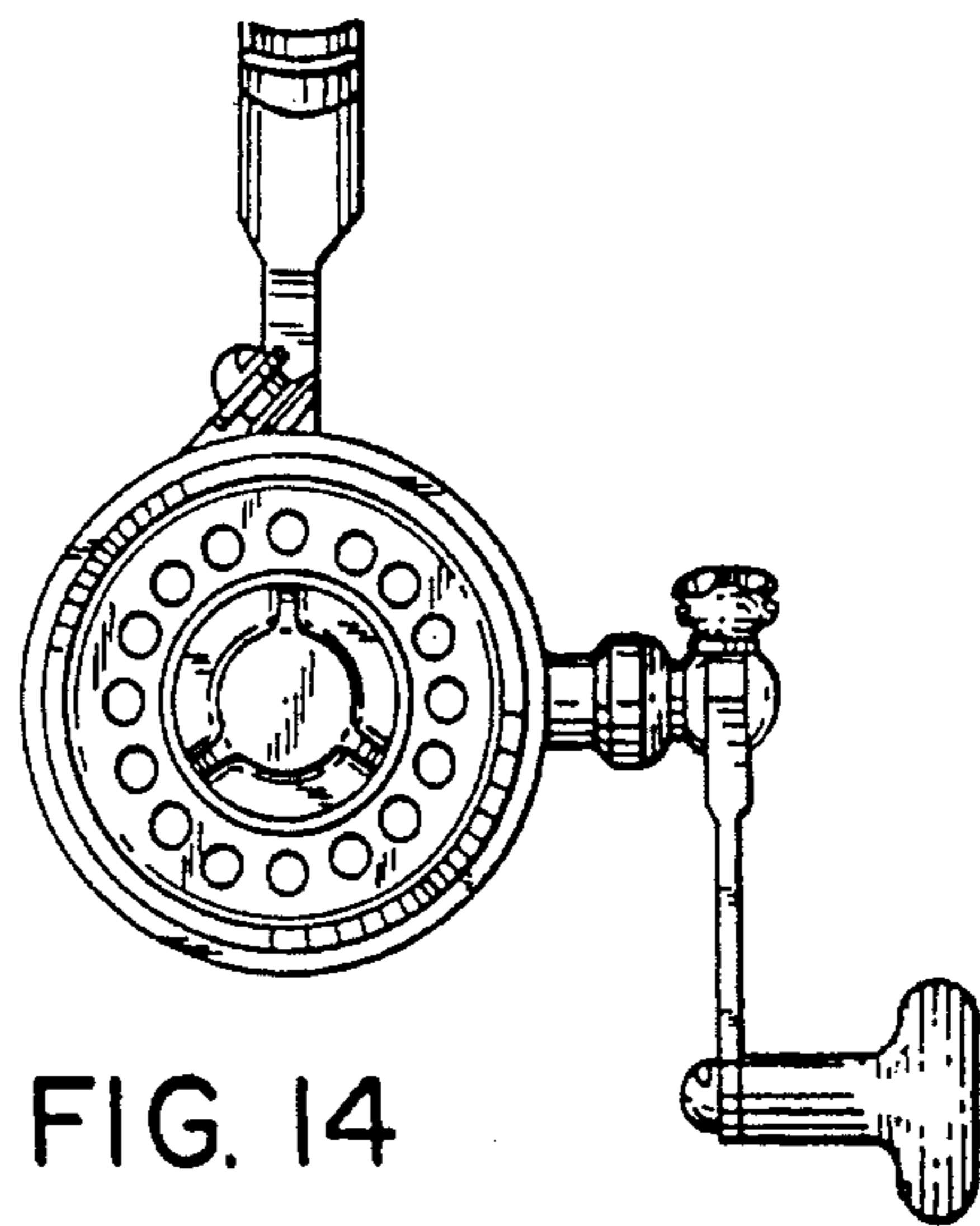


FIG. 14

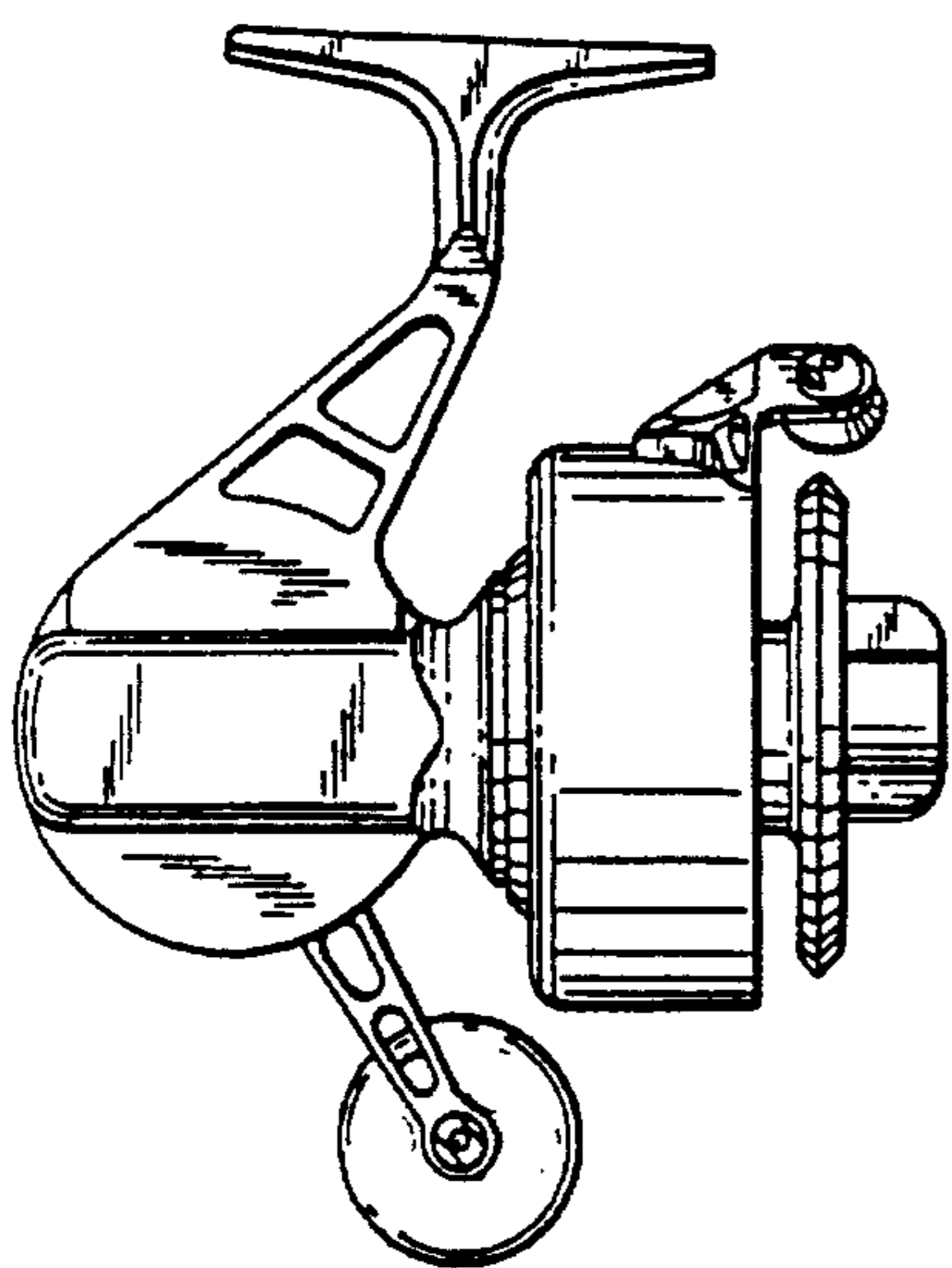


FIG. 15

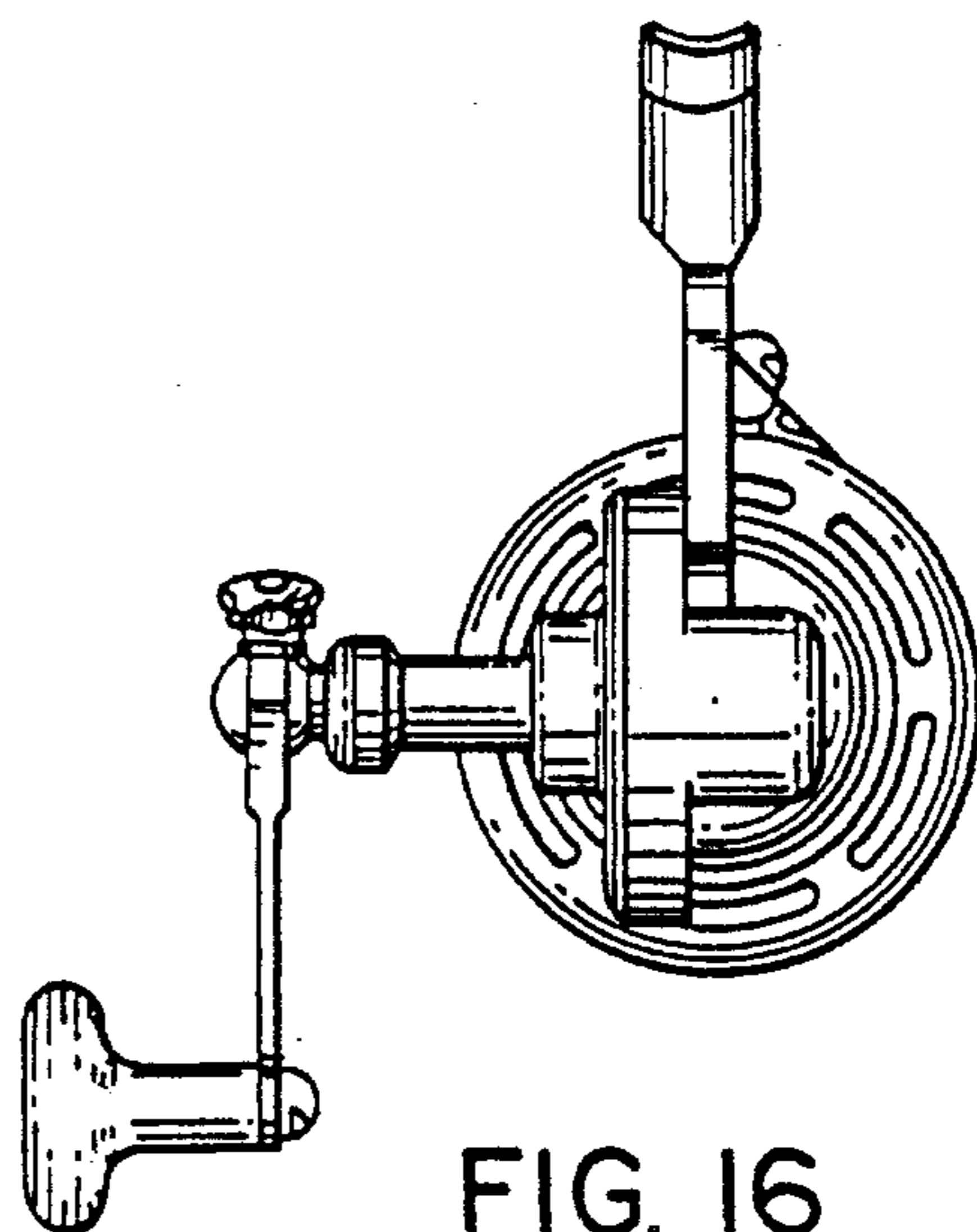


FIG. 16

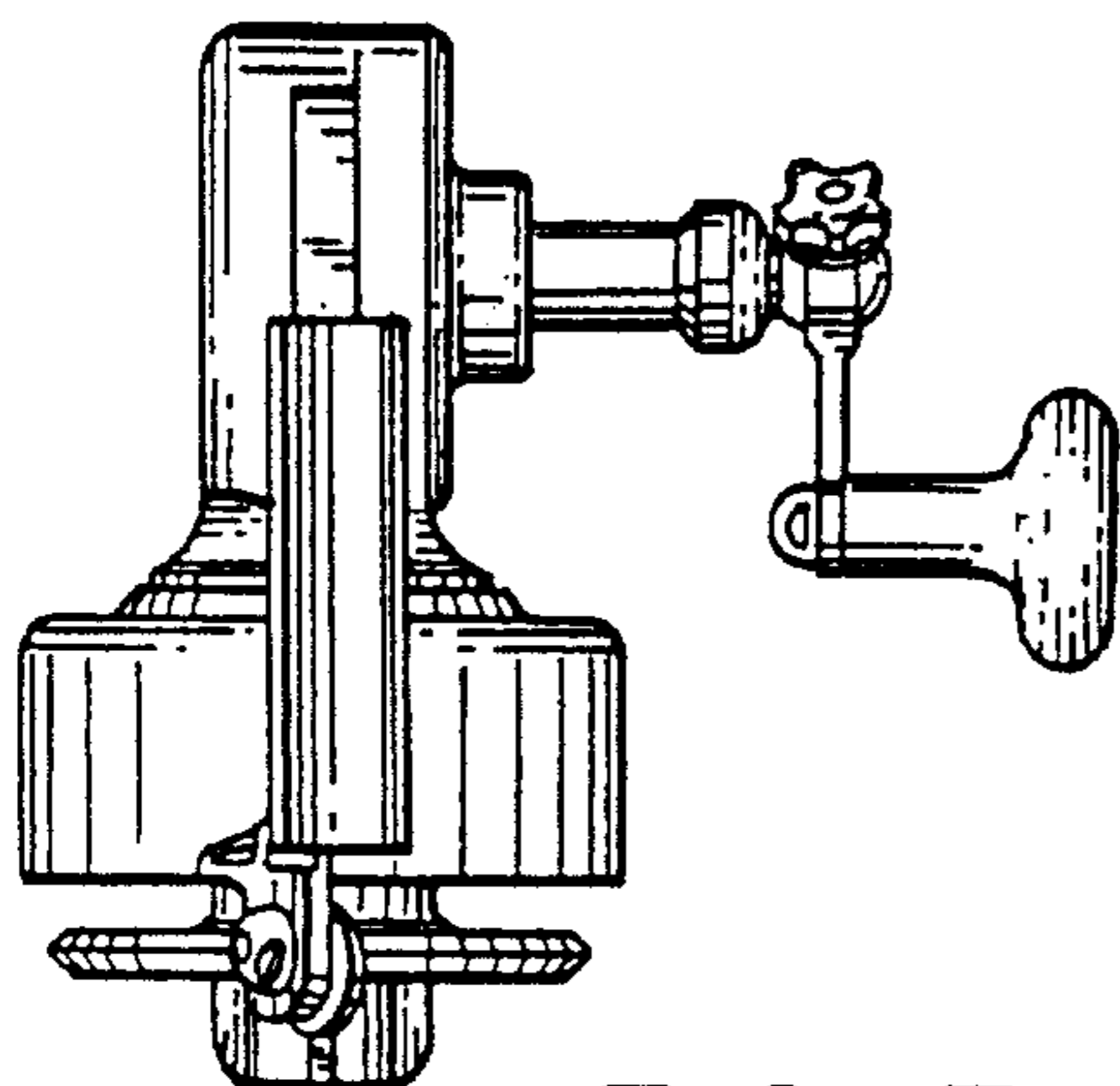


FIG. 17

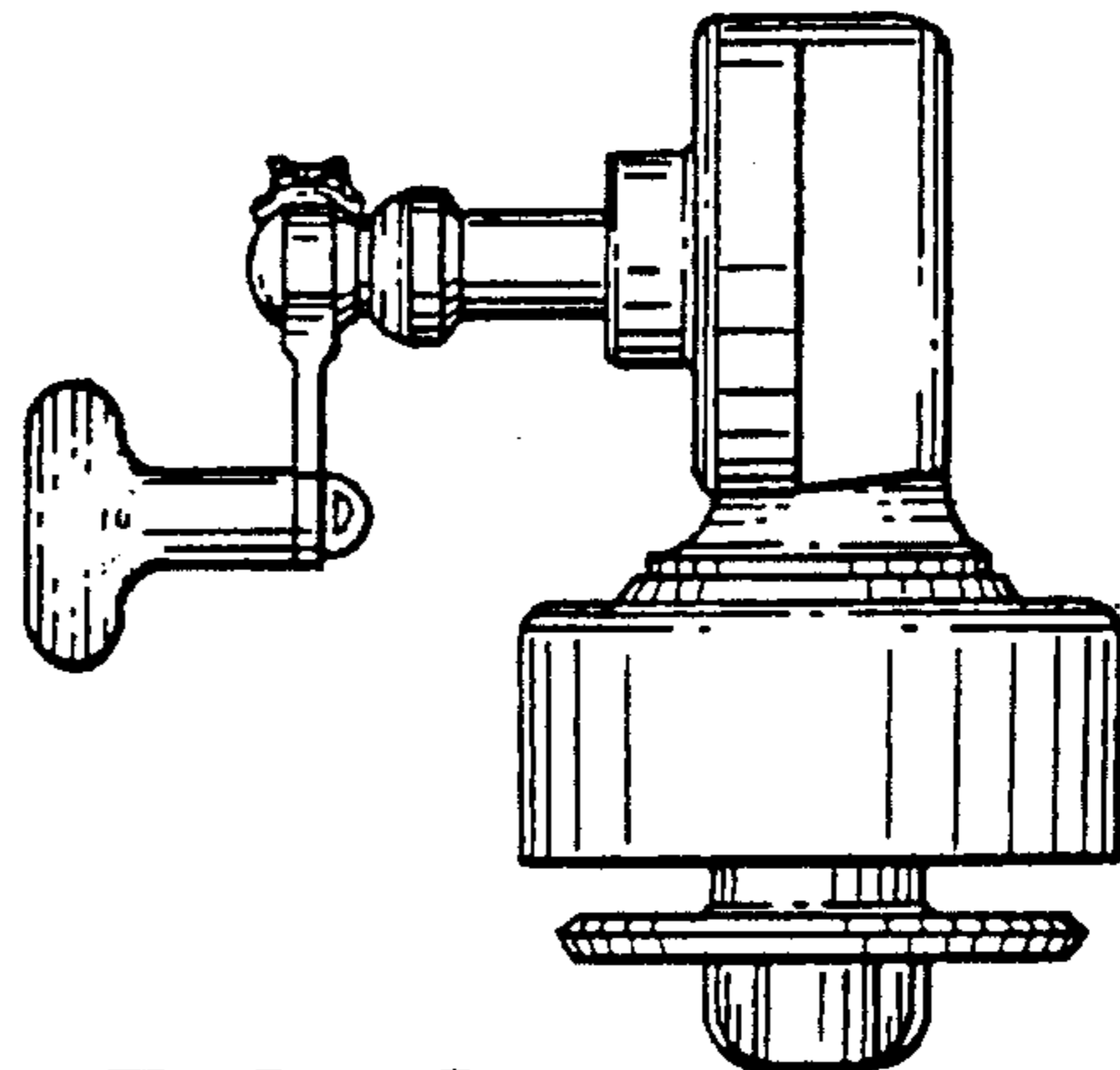


FIG. 18