



US00D374905S

# United States Patent [19]

Szolis

[11] Patent Number: **Des. 374,905**

[45] Date of Patent: **\*\*Oct. 22, 1996**

[54] **WILDLIFE DECOY FORM**

3,470,645 10/1969 Mattson ..... 43/3

[76] Inventor: **John N. Szolis**, 640 Pearce Mill Rd.,  
Wexford, Pa. 15090

*Primary Examiner*—Doris V. Coles  
*Attorney, Agent, or Firm*—Webb Ziesenheim Bruening  
Logsdon Orkin & Hanson, P.C.

[\*\*] Term: **14 Years**

[57] **CLAIM**

[21] Appl. No.: **44,000**

The ornamental design for a wildlife decoy form, as shown.

[22] Filed: **Sep. 14, 1995**

**DESCRIPTION**

[52] U.S. Cl. .... **D22/125**

[58] Field of Search ..... D22/125; 43/3,  
43/1

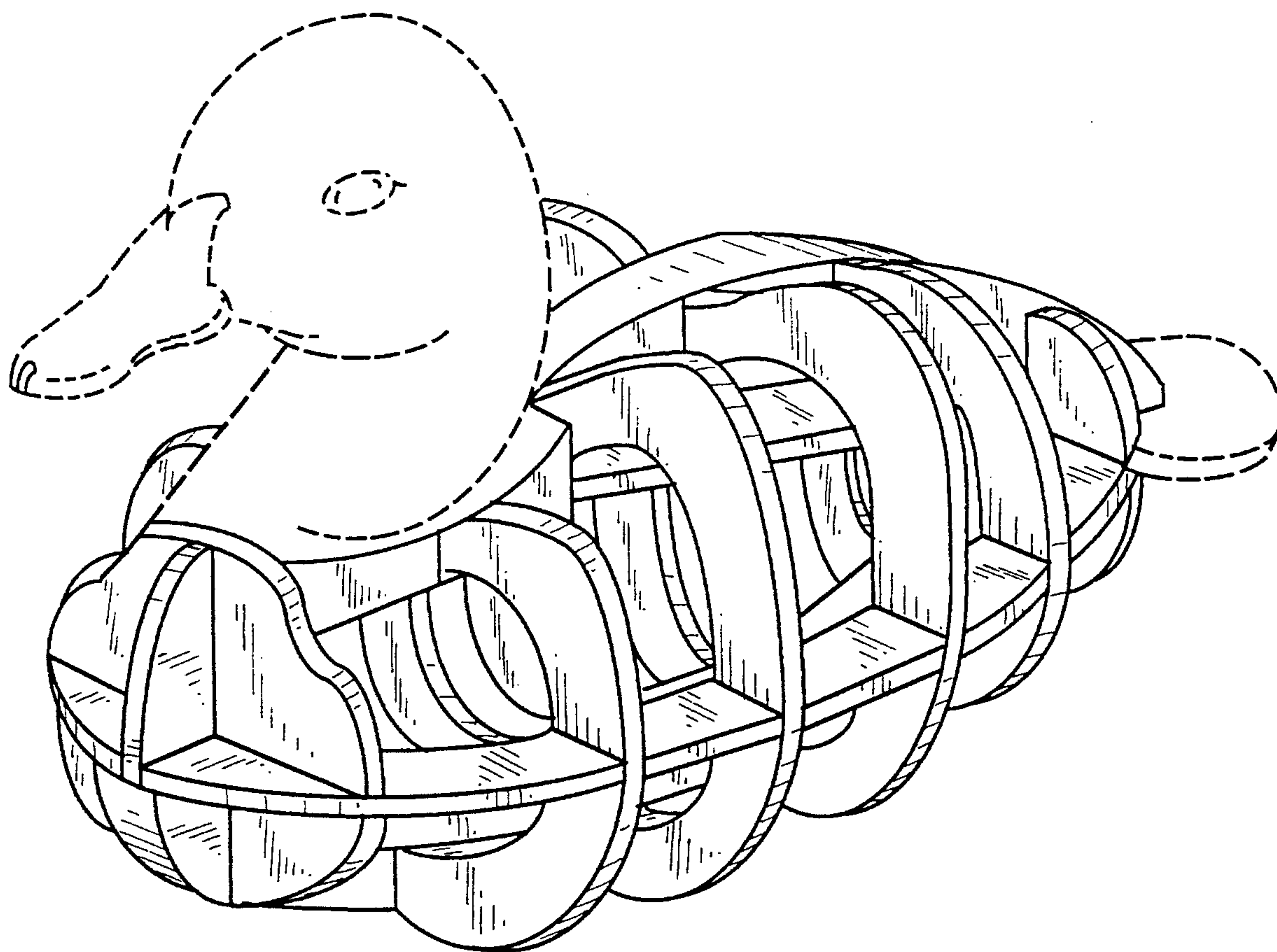
FIG. 1 is a perspective view of a wildlife decoy form according to my new design;  
FIG. 2 is a front view thereof;  
FIG. 3 is a rear view thereof;  
FIG. 4 is a top plan view thereof;  
FIG. 5 is a bottom plan view thereof;  
FIG. 6 is a left side elevational view thereof; and,  
FIG. 7 is a right side elevational view thereof.

[56] **References Cited**

**U.S. PATENT DOCUMENTS**

2,439,167	4/1948	Jackson	43/3
2,706,357	4/1955	Nigh et al.	43/3
2,755,588	7/1956	Johnson	43/3
2,812,608	11/1957	Jones	43/3

**1 Claim, 6 Drawing Sheets**



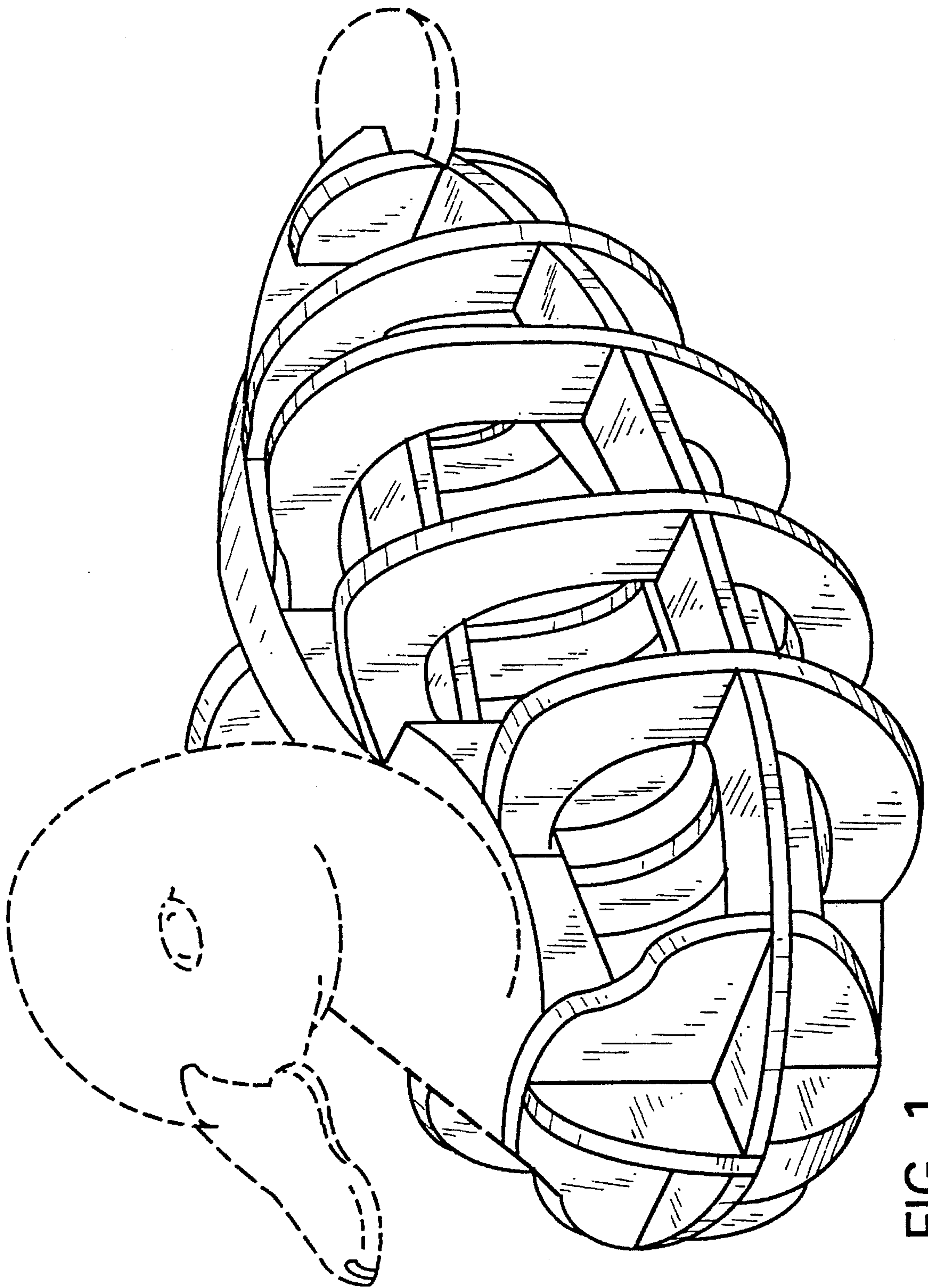


FIG. 1

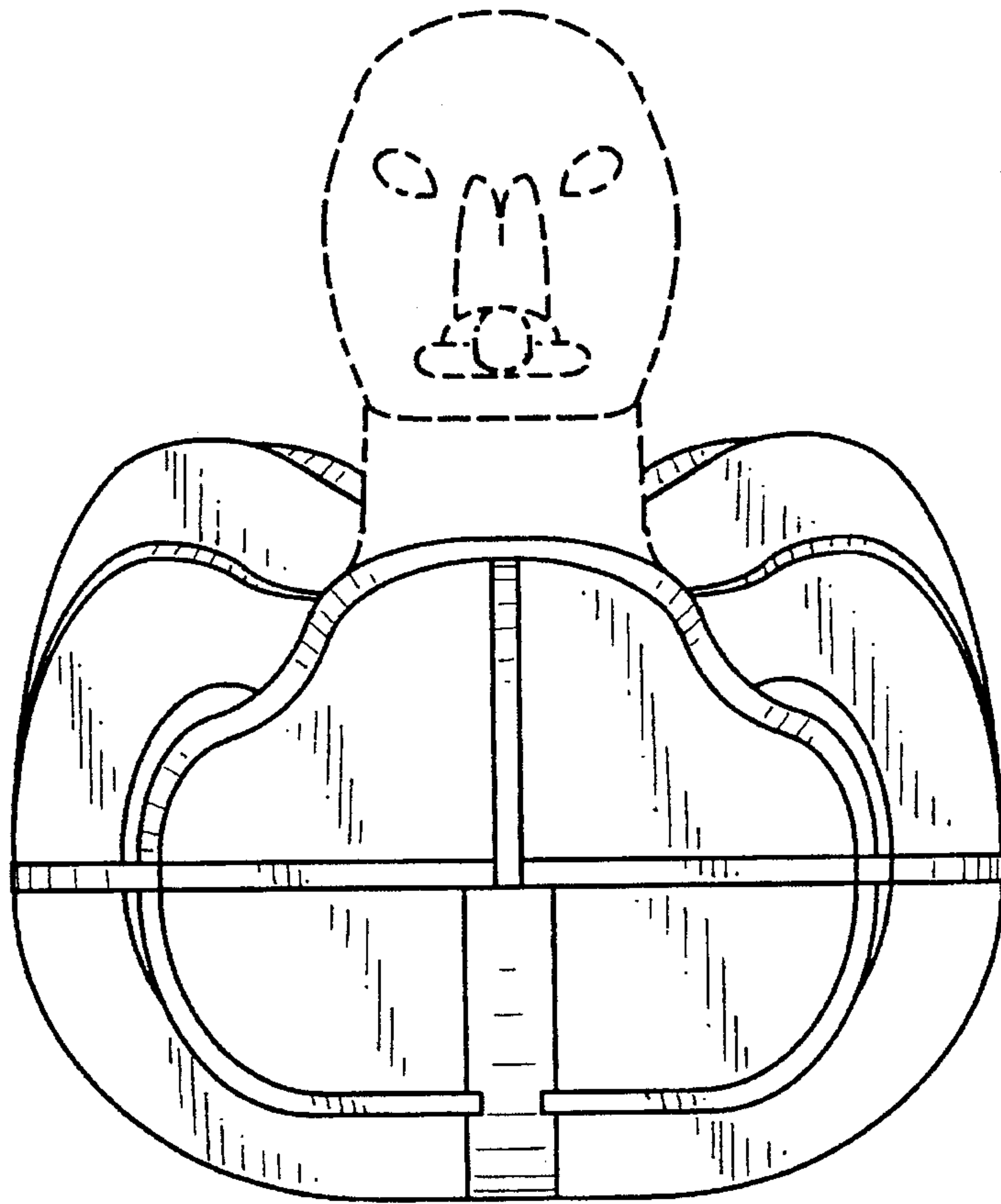


FIG. 2

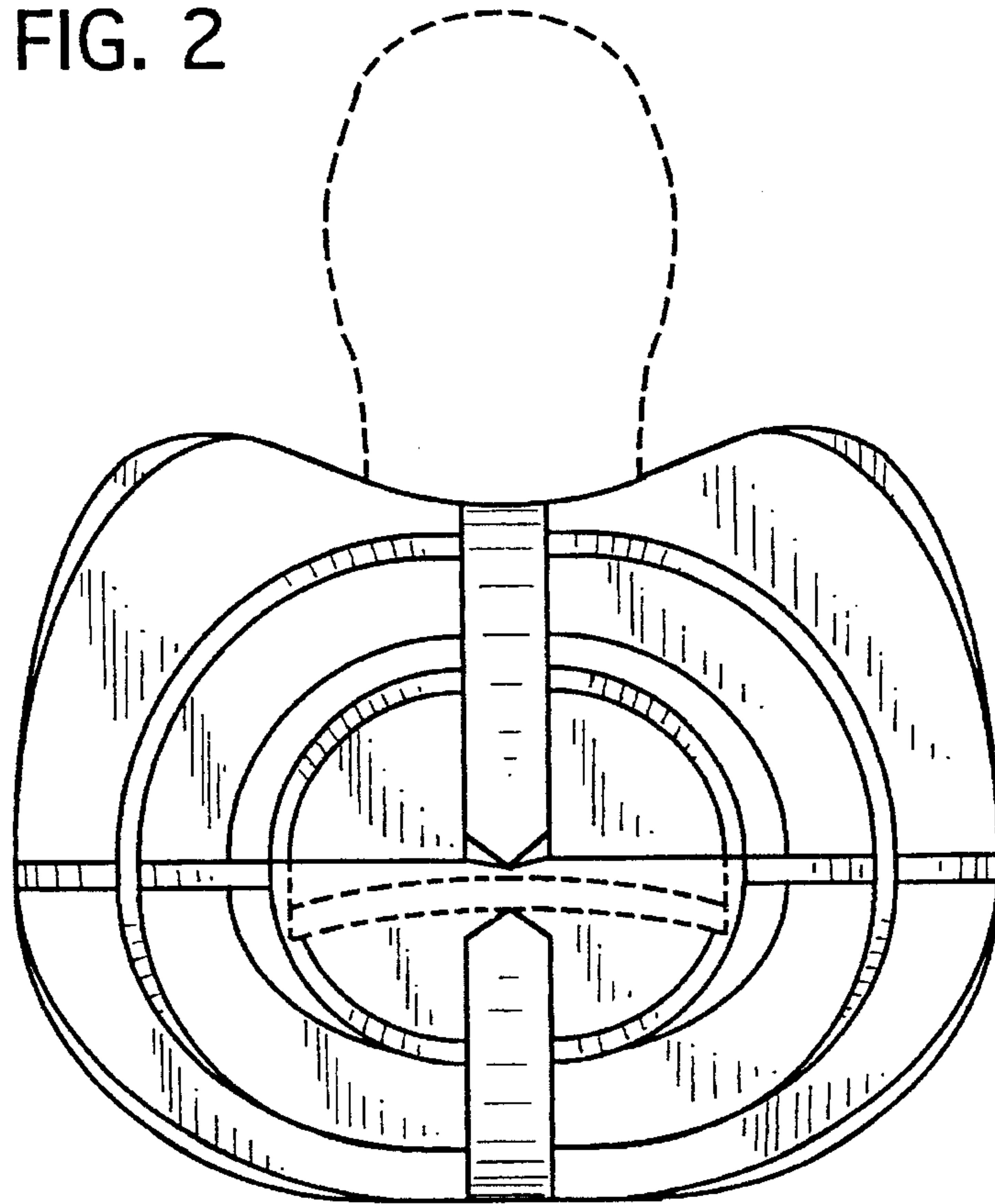


FIG. 3

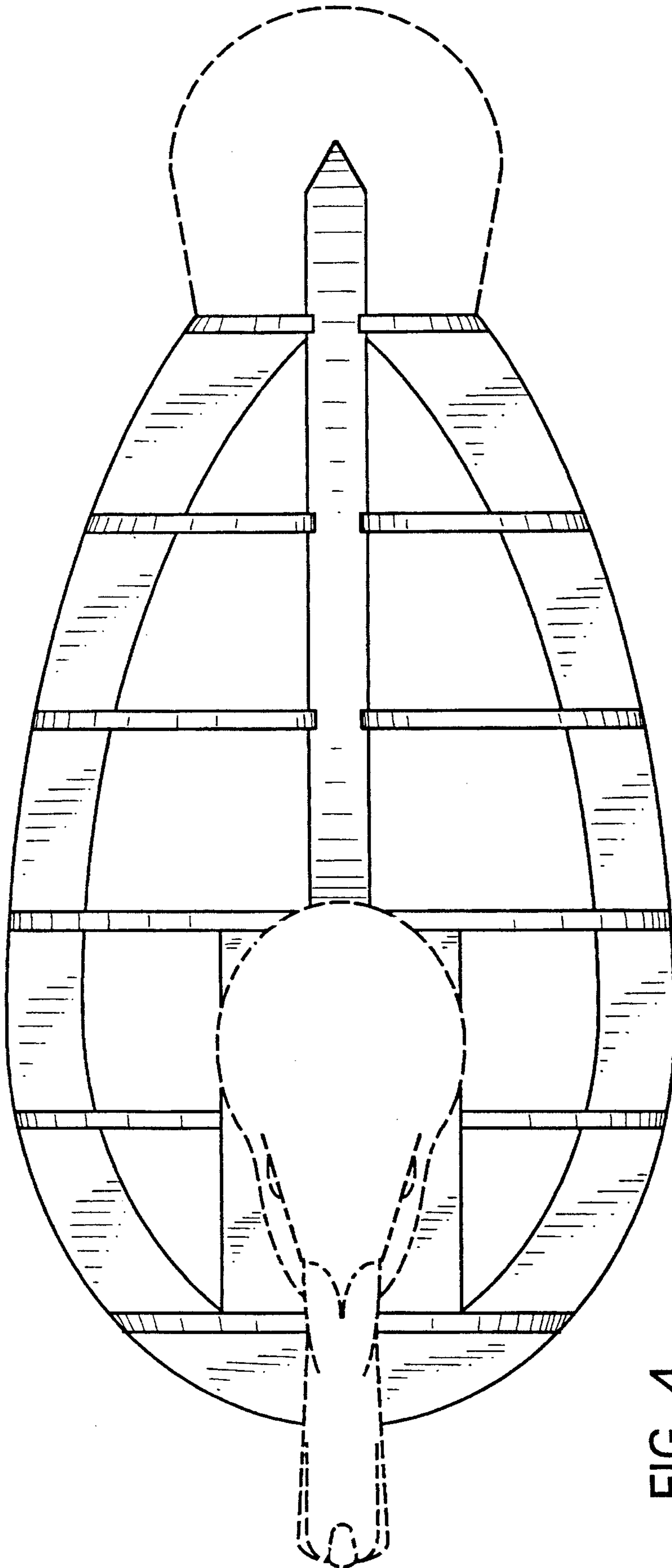


FIG. 4



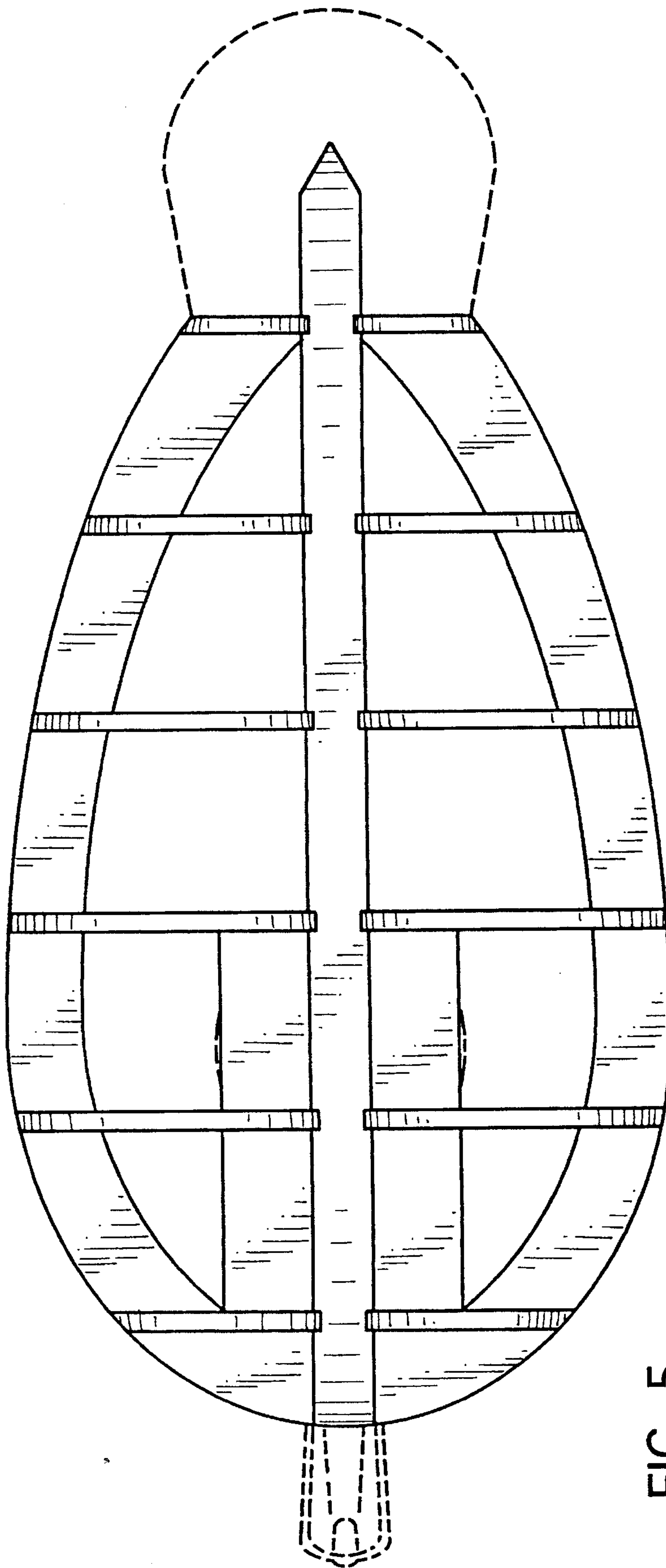


FIG. 5

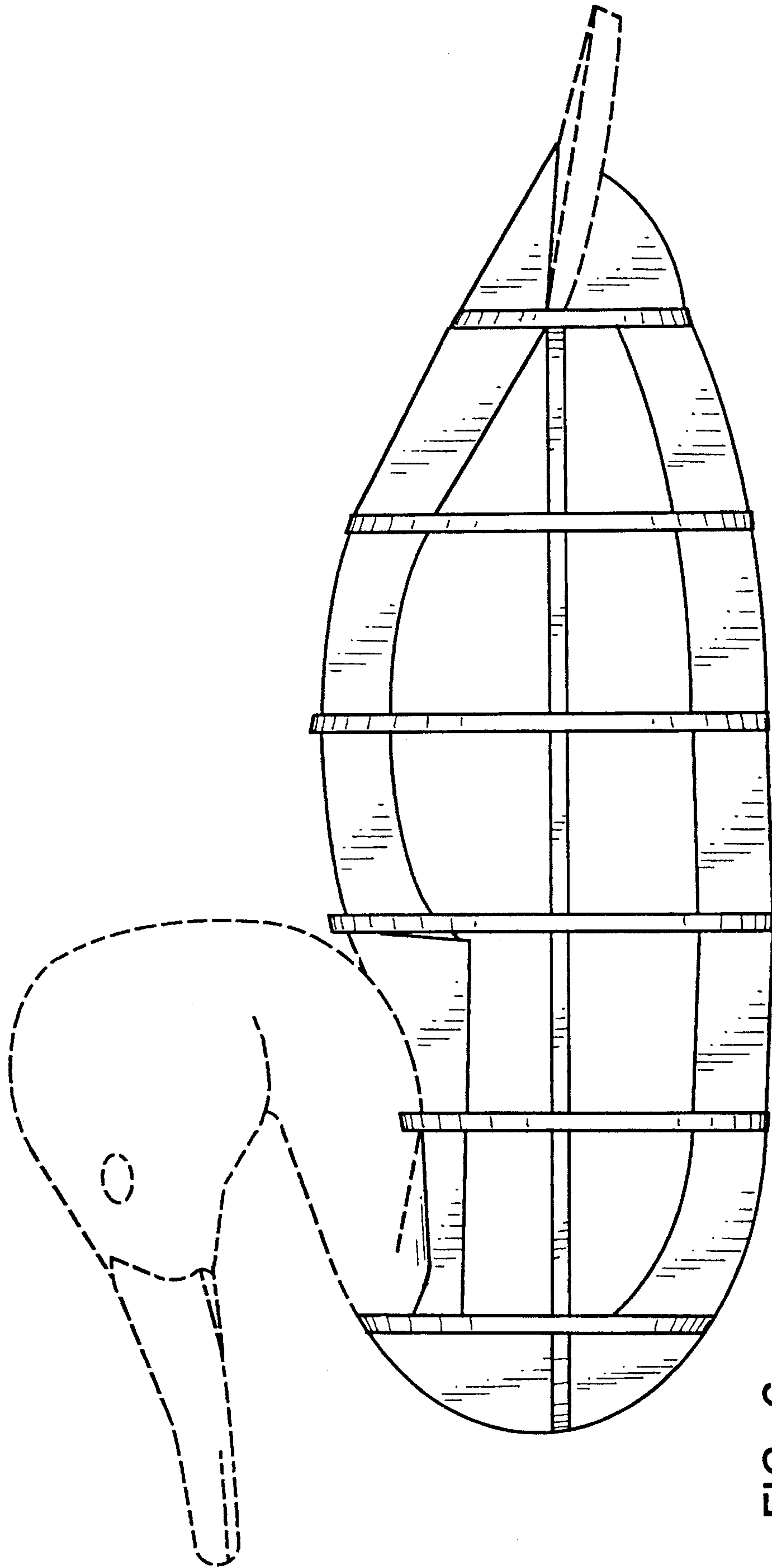


FIG. 6

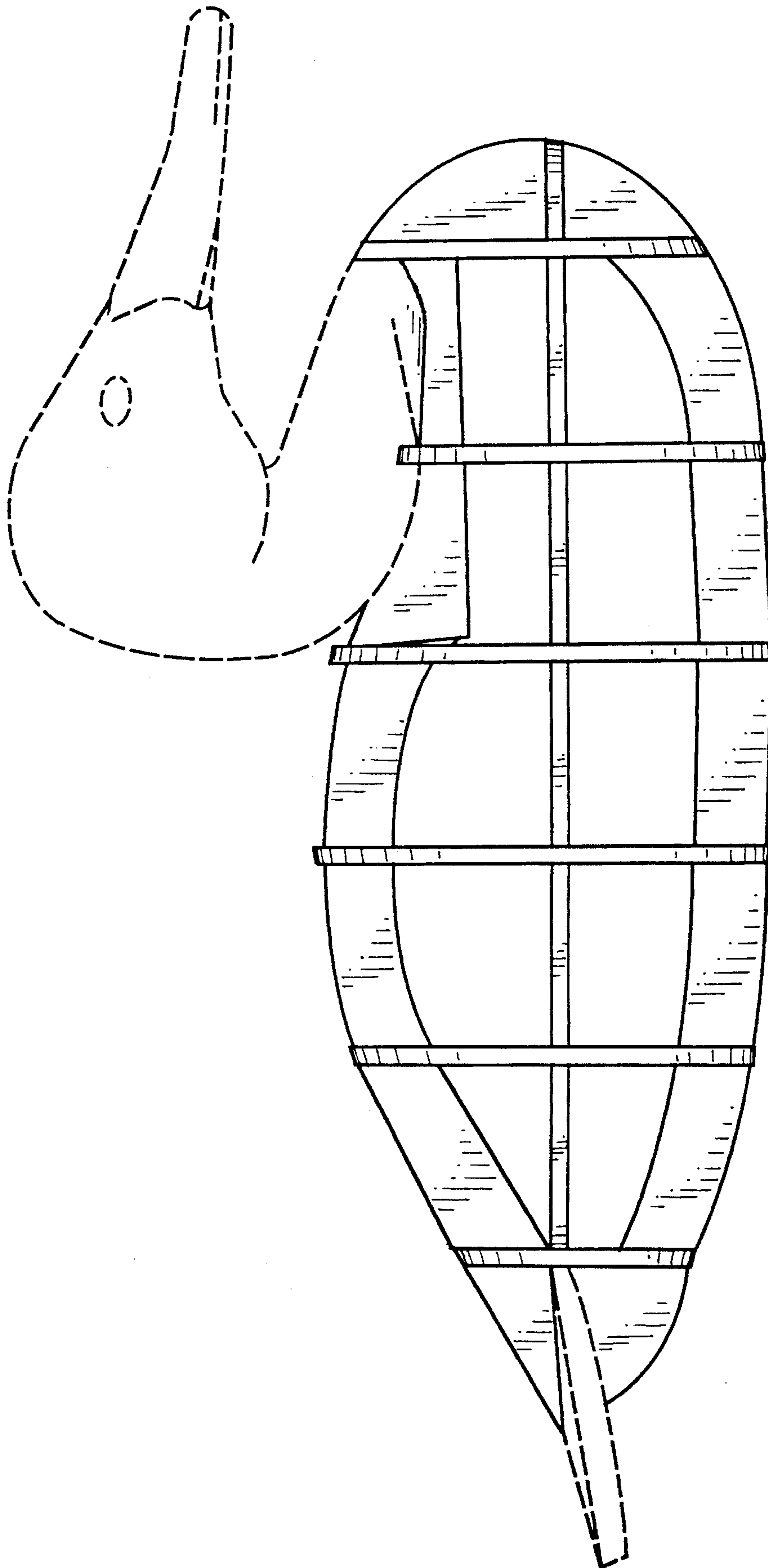


FIG. 7