



US00D374904S

# United States Patent [19]

[11] **Patent Number: Des. 374,904**

**Miller**

[45] **Date of Patent: \*\*Oct. 22, 1996**

[54] **SNAIL BAIT HOLDER AND SNAIL TRAP**

5,501,034 3/1996 Hazan ..... 43/132.1  
5,505,018 4/1996 Parker ..... 43/124

[75] Inventor: **Albert Miller**, San Jose, Calif.

### OTHER PUBLICATIONS

[73] Assignee: **Termination Turtle LP**, San Leandro, Calif.

Fieldbook of Natural History by L. Palmer, ©1949 McGraw Hill p. 471-Box Turtle & p. 472, Painted Turtle.

[\*\*] Term: **14 Years**

*Primary Examiner*—Doris V. Coles  
*Attorney, Agent, or Firm*—Jack M. Wiseman

[21] Appl. No.: **42,186**

### [57] CLAIM

[22] Filed: **Aug. 3, 1995**

The ornamental design of a snail bait holder and snail trap, as shown.

[52] U.S. Cl. .... **D22/119**

[58] Field of Search ..... D22/119, 122;  
D21/252; 43/131, 121, 124, 132.1, 107

### DESCRIPTION

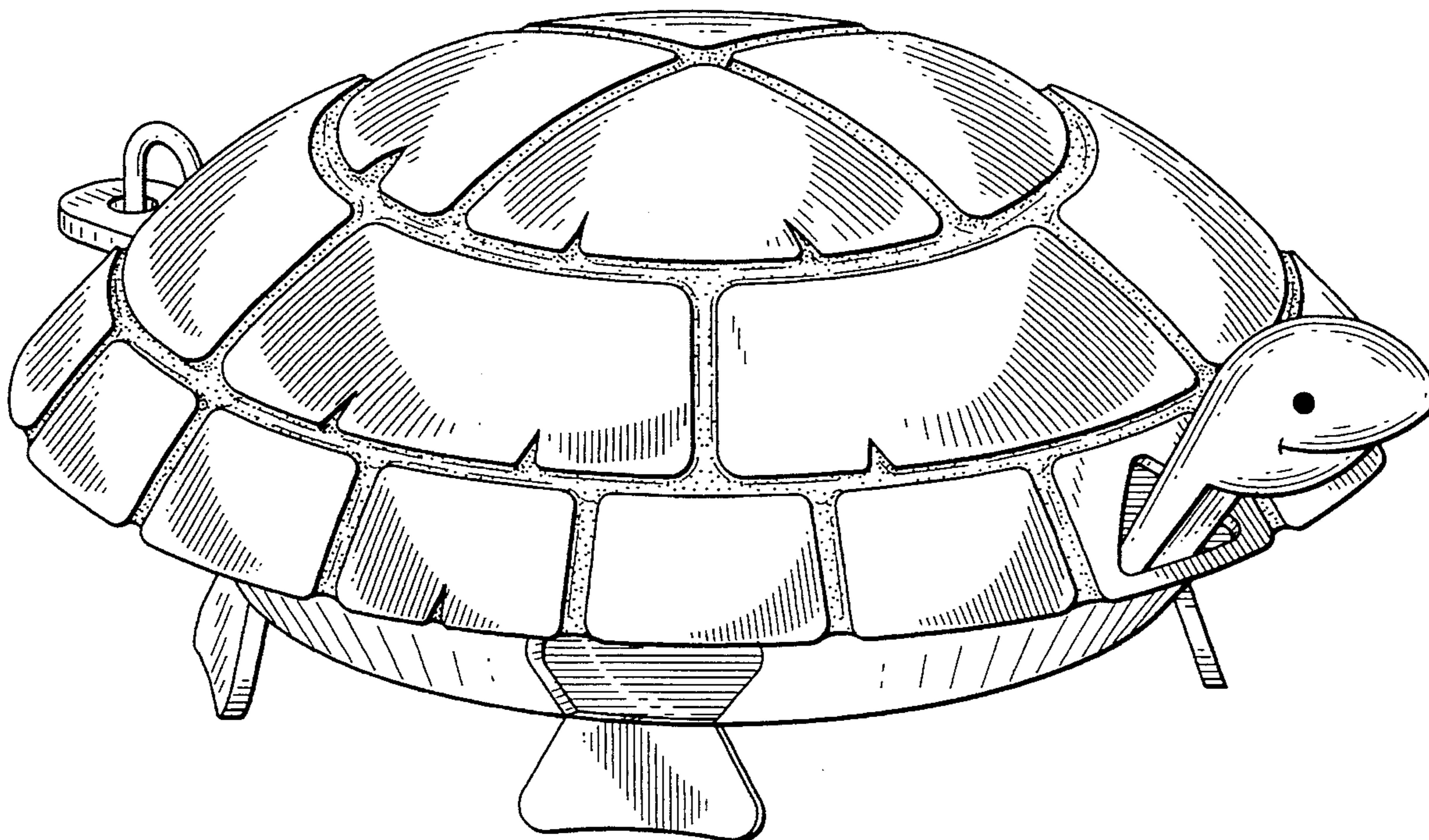
### [56] References Cited

FIG. 1 is a front top perspective view of a snail bait holder and snail trap embodying the present invention;  
FIG. 2 is a rear top perspective view of the snail bait holder and snail trap shown in FIG. 1;  
FIG. 3 is a top view of the snail bait holder and snail trap shown in FIGS. 1 and 2; and,  
FIG. 4 is a bottom view of the snail bait holder and snail trap shown in FIGS. 1, 2 and 3.

#### U.S. PATENT DOCUMENTS

4,747,230	5/1988	Zalesky .....	43/121
4,761,912	8/1988	Dyer et al. ....	43/121
4,821,452	4/1989	Beckley .....	43/131
4,894,947	1/1990	Brandli .....	43/124
5,123,202	6/1992	Tanisake .....	43/132.1
5,170,584	12/1992	Perry .....	43/124
5,390,441	2/1995	Pence .....	43/131

**1 Claim, 3 Drawing Sheets**



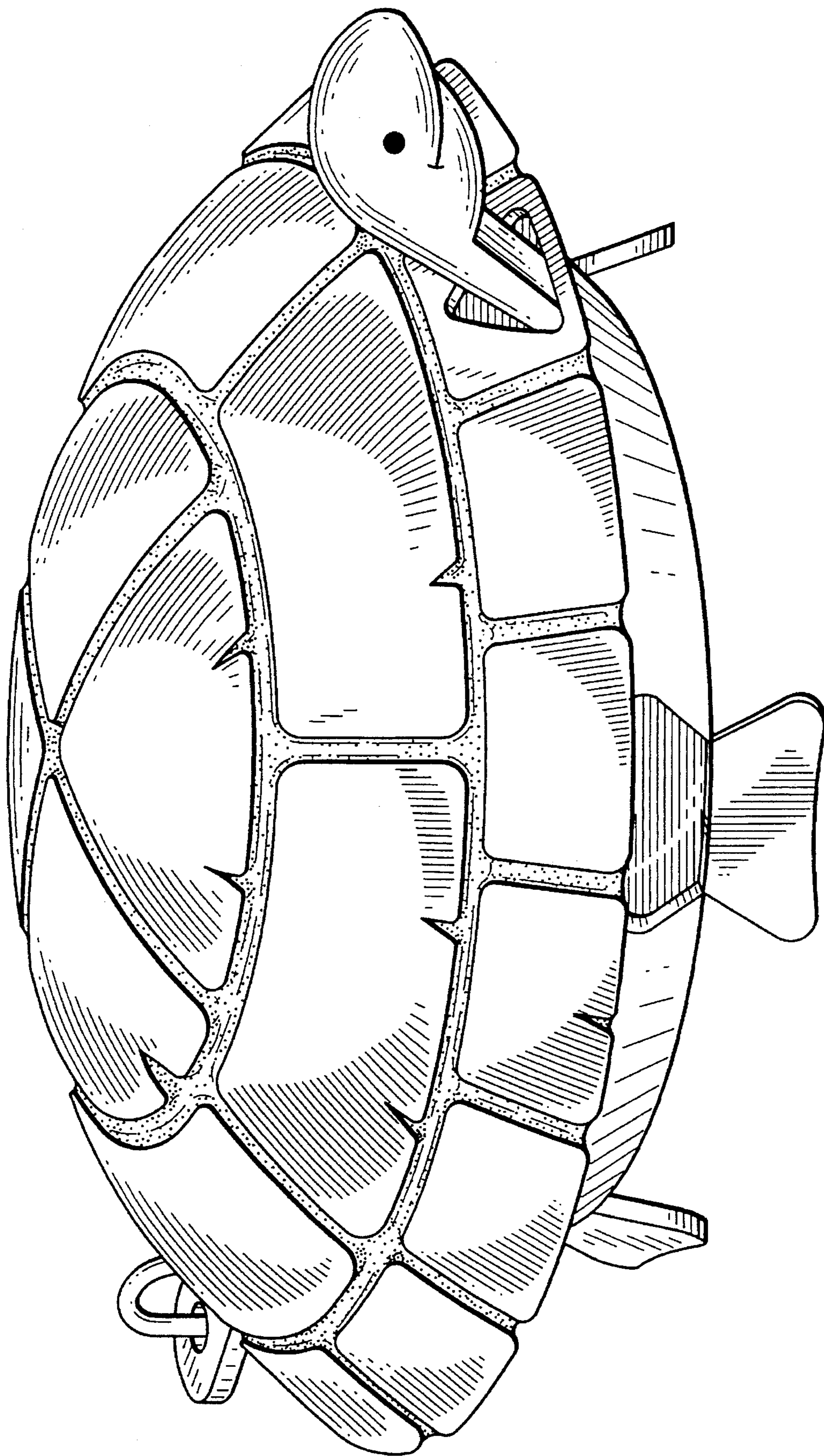


FIG. 1

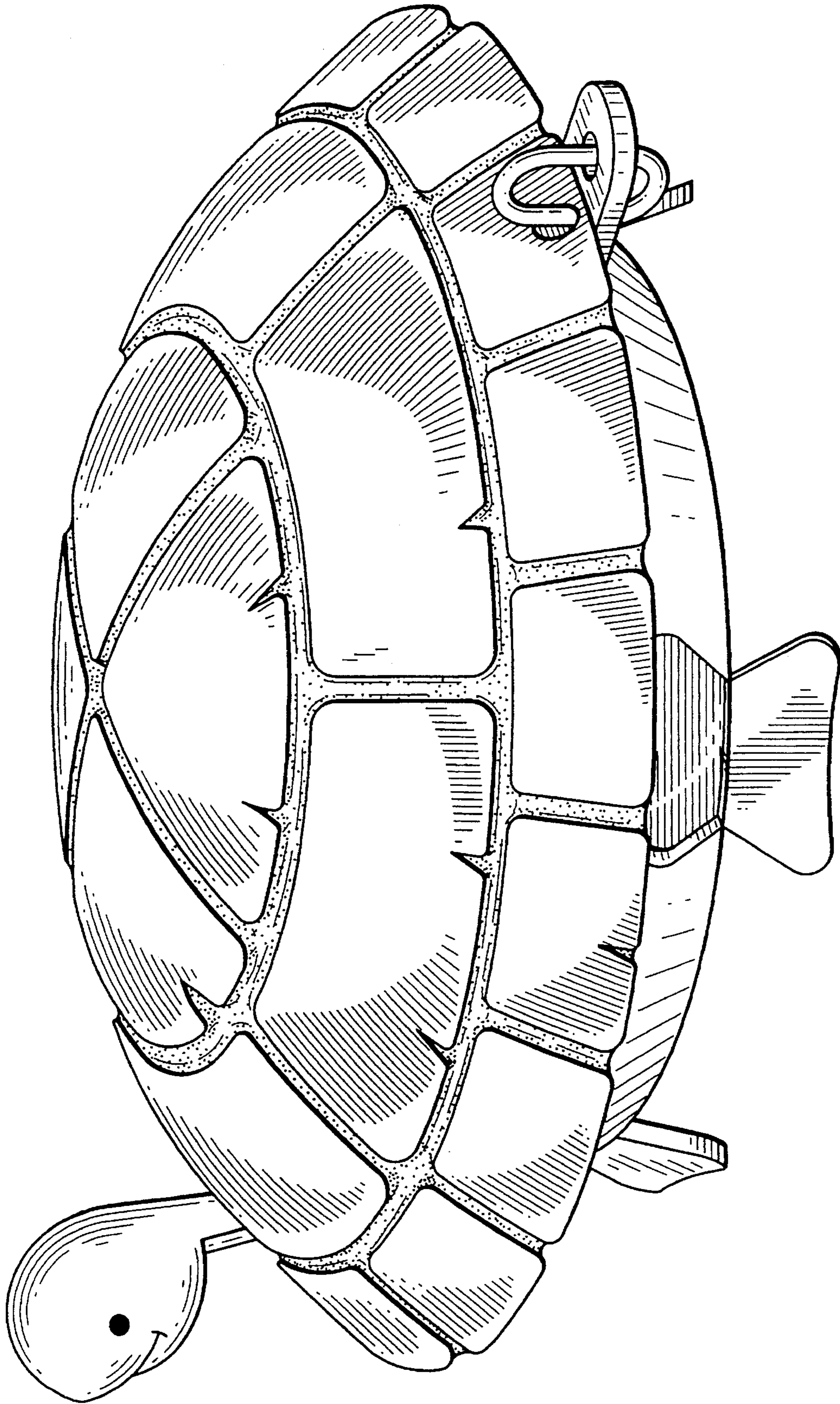


FIG. 2

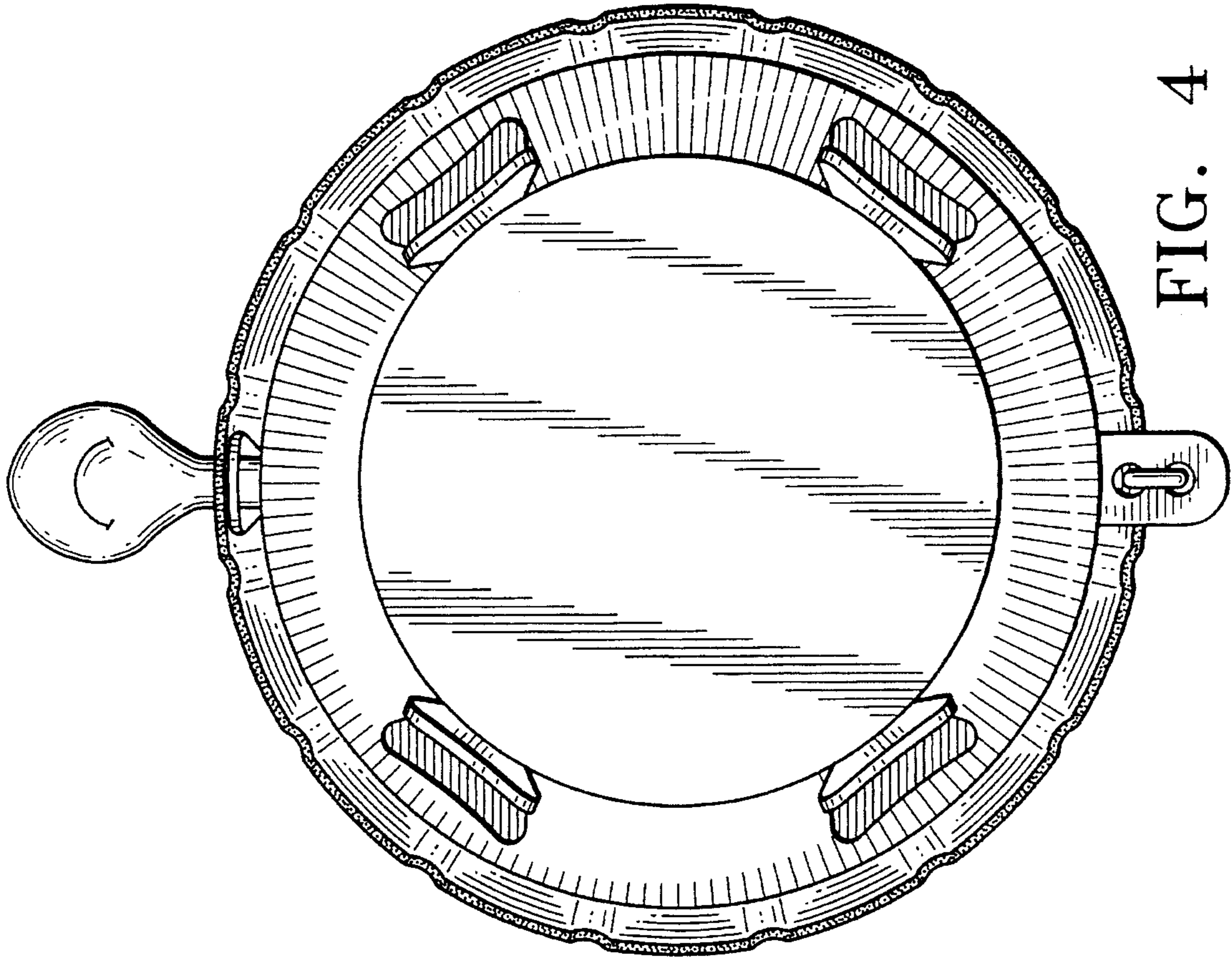


FIG. 4

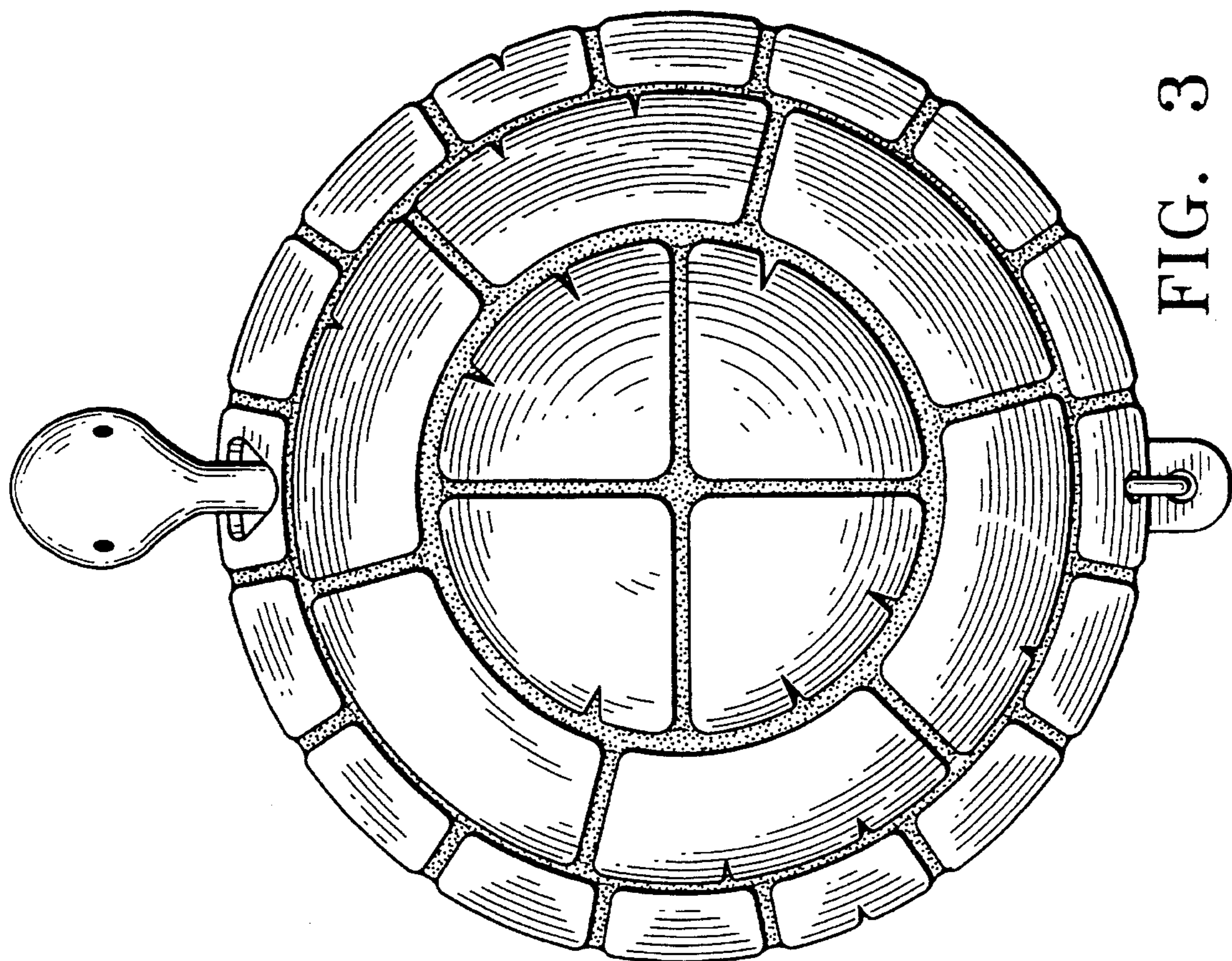


FIG. 3