



US00D374902S

United States Patent [19]

[11] Patent Number: Des. 374,902

Bookstaver et al.

[45] Date of Patent: **Oct. 22, 1996

[54] **PLAYGROUND ASSEMBLY SUPPORT MEMBER**

2711104	11/1979	Germany	A63B 17/00
3609914	10/1987	Germany	A63G 9/00
1378498	12/1974	United Kingdom	A63G 21/00

[75] Inventors: **Charles W. Bookstaver**, Olney, Ill.;
Samuel G. Smith, Starkville, Miss.;
Frank Mercurio, Wallingford, Conn.

OTHER PUBLICATIONS

[73] Assignee: **Roadmaster Corporation**, Olney, Ill.

1971 Sears Wish Book Catalog, p. 135.
1984 Sears Wish Book Catalog, 1 page, page number unclear.
1989 Sears Wish Book Catalog, pp. 475-477.
1990 Sears Fall/Winter Home Catalog, p. 914.
1990 Sears Wish Book Catalog, pp. 536-537.
1991 Sears Spring/Summer Catalog, pp. 1392-1393.
1991 Sears Wish Book Catalog, pp. 572-573.
1992 Sears Wish Book Catalog, pp. 569, 1346-1348, 1388.
1992 Sears Annual Catalog, pp. 962-963.
Little Tikes Product Catalog, pp. 63, 103-104, 108-110, and 2 additional pages (page numbers unclear).
Little Tikes Advertisement.
Step 2 Product Catalog, undated, 5 pages.
Swing*N*Slide 1994 Consumer Buying Guide, 40 pages, dated Nov. 29, 1993.

[**] Term: **14 Years**

[21] Appl. No.: **32,385**

[22] Filed: **Oct. 18, 1994**

Related U.S. Application Data

[63] Continuation of Ser. No. 23,392, May 23, 1994, abandoned.

[52] U.S. Cl. **D21/246**; D21/240

[58] Field of Search D21/240-249;
482/35, 36, 23

[56] References Cited

U.S. PATENT DOCUMENTS

D. 277,222	1/1985	Mower	D21/244
D. 293,046	12/1987	Riehm	D6/347
D. 303,826	10/1989	Aker	D21/244
D. 305,584	1/1990	Spilman et al.	D6/344
D. 334,610	4/1993	Aker	D21/244
D. 343,438	1/1994	Fish, Jr.	D21/244
D. 344,773	3/1994	Aker et al.	D21/244
D. 353,866	12/1994	Houry et al.	D21/240
1,239,848	9/1917	Townsend .	
3,141,670	7/1964	Smyrni et al.	272/56.5
3,704,849	12/1972	Green	248/165
4,094,503	6/1978	Wormser	272/85
4,159,112	6/1979	O'Brian et al.	482/36
4,190,283	2/1980	Boucher	482/35 X
4,369,965	1/1983	Ahrens	272/56.5
4,789,152	12/1988	Guerra	272/144
4,796,884	1/1989	Ely et al.	482/35
4,807,872	2/1989	Spilman et al.	272/86
4,852,837	8/1989	Merten et al.	248/188
5,453,055	9/1995	Van Huyster	D21/244 X

FOREIGN PATENT DOCUMENTS

95303444 10/1995 European Pat. Off. .

Primary Examiner—Ted Shooman
Assistant Examiner—Mitchell I. Siegel
Attorney, Agent, or Firm—Brinks Hofer Gilson & Lione;
Steven P. Shurtz

[57] CLAIM

The ornamental design for a playground assembly support member, as shown and described.

DESCRIPTION

FIG. 1 is a left, front perspective view of a playground support member showing our new design;
FIG. 2 is a front elevational view thereof;
FIG. 3 is a rear elevational view thereof;
FIG. 4 is a left elevational view thereof;
FIG. 5 is a right elevational view thereof;
FIG. 6 is a top plan view thereof; and,
FIG. 7 is a bottom plan view thereof.

1 Claim, 5 Drawing Sheets

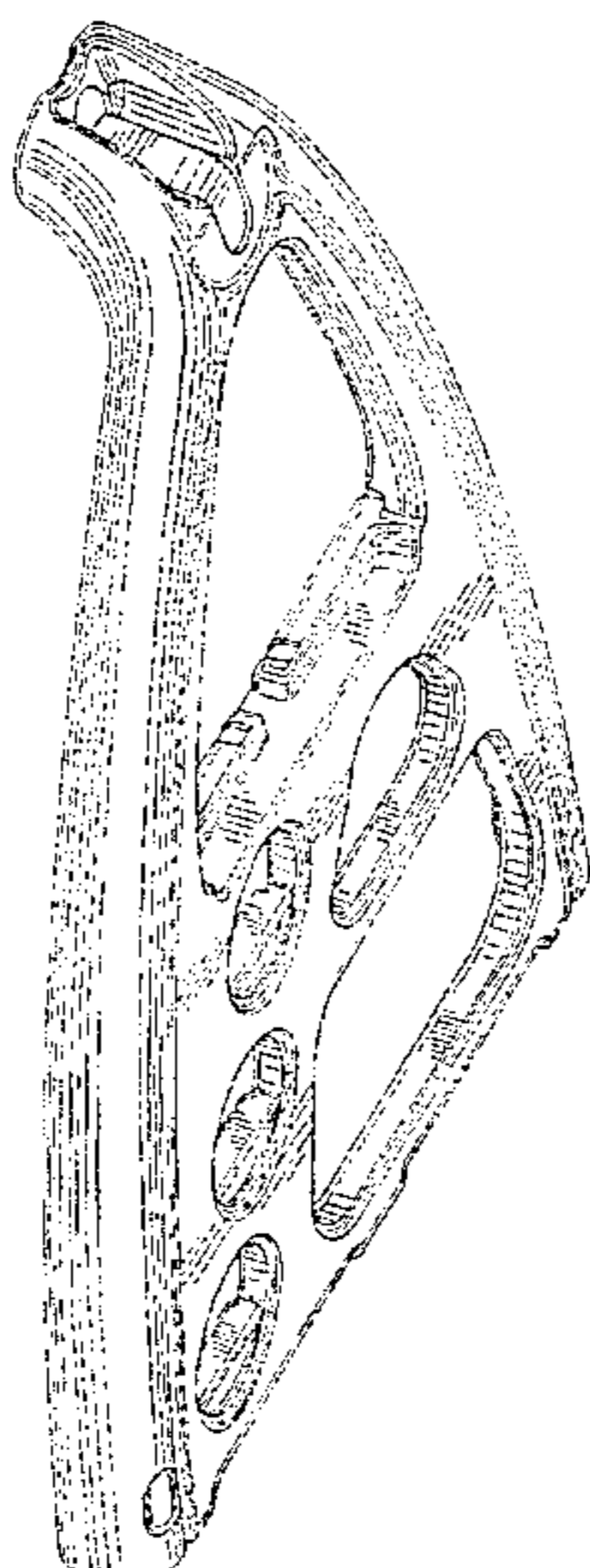


FIG. 1

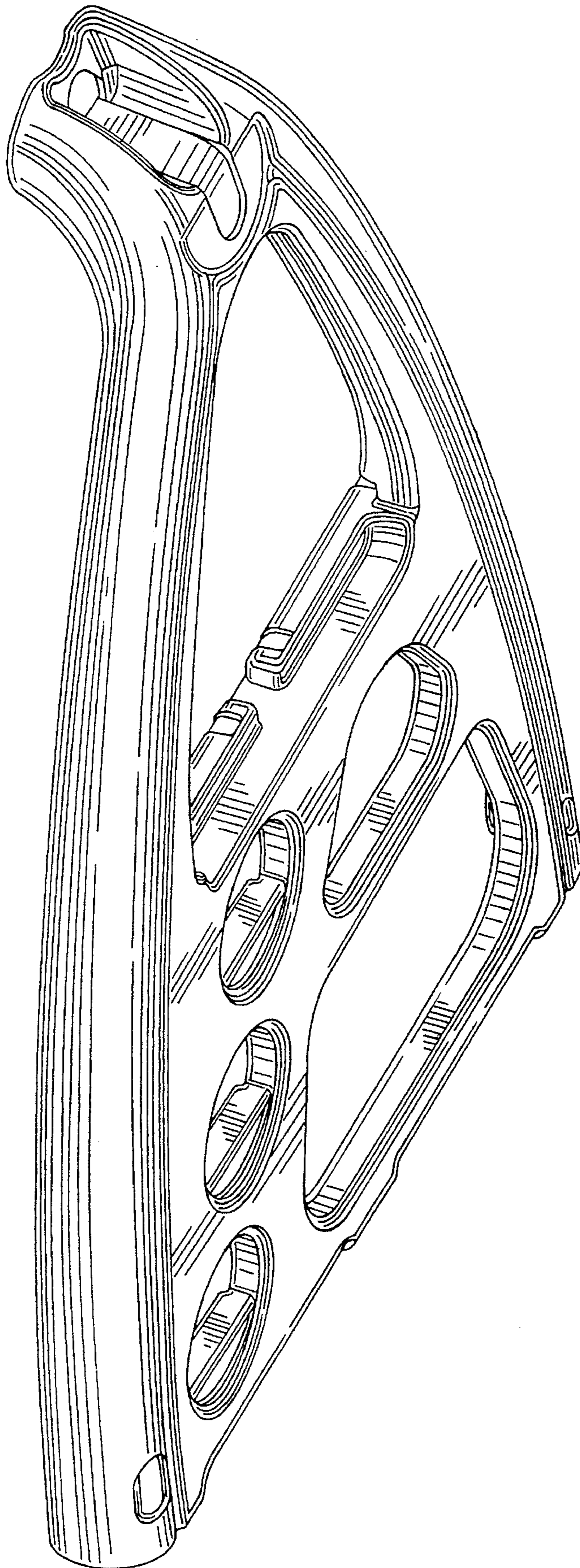


FIG. 2

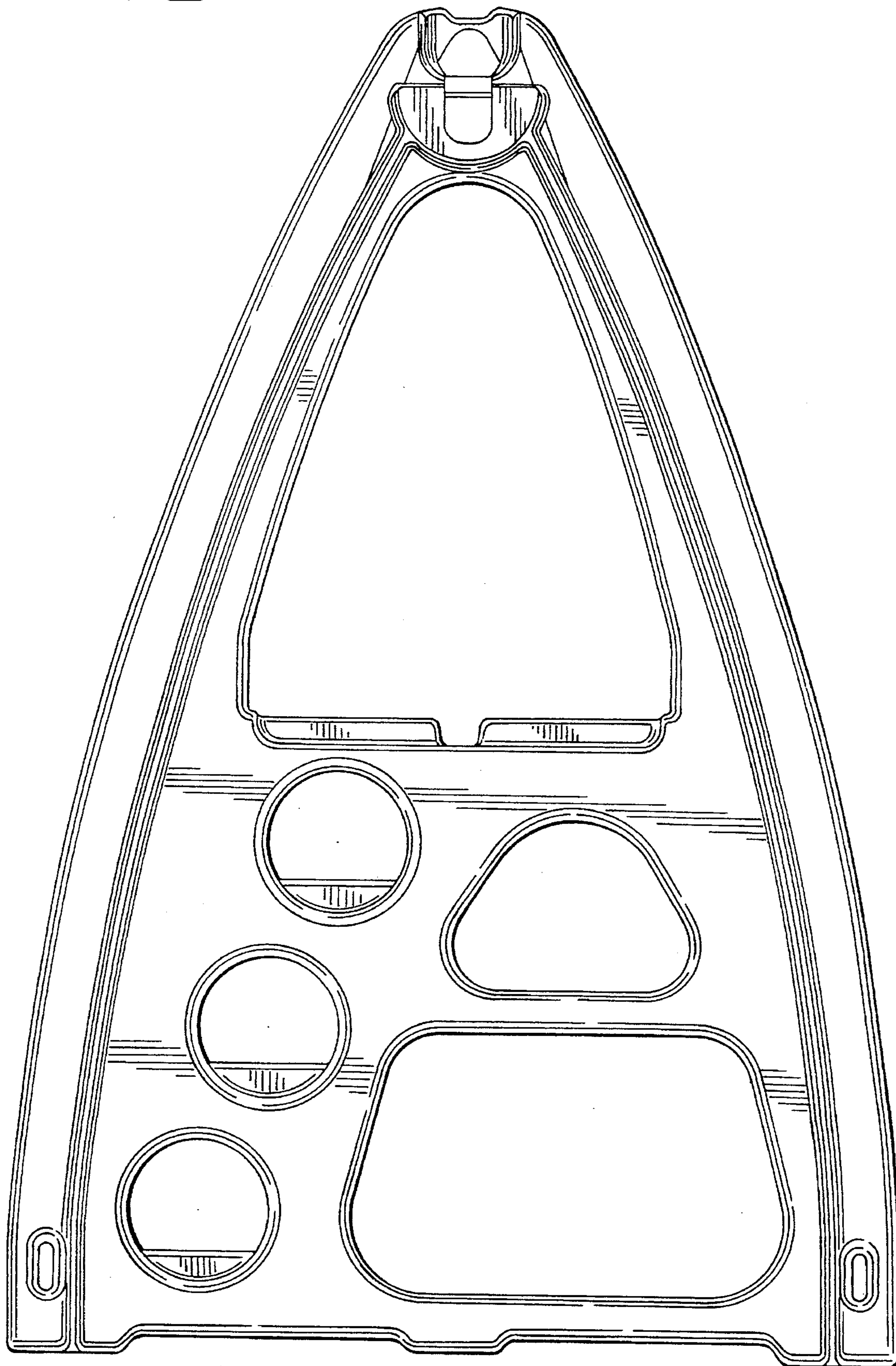


FIG. 3

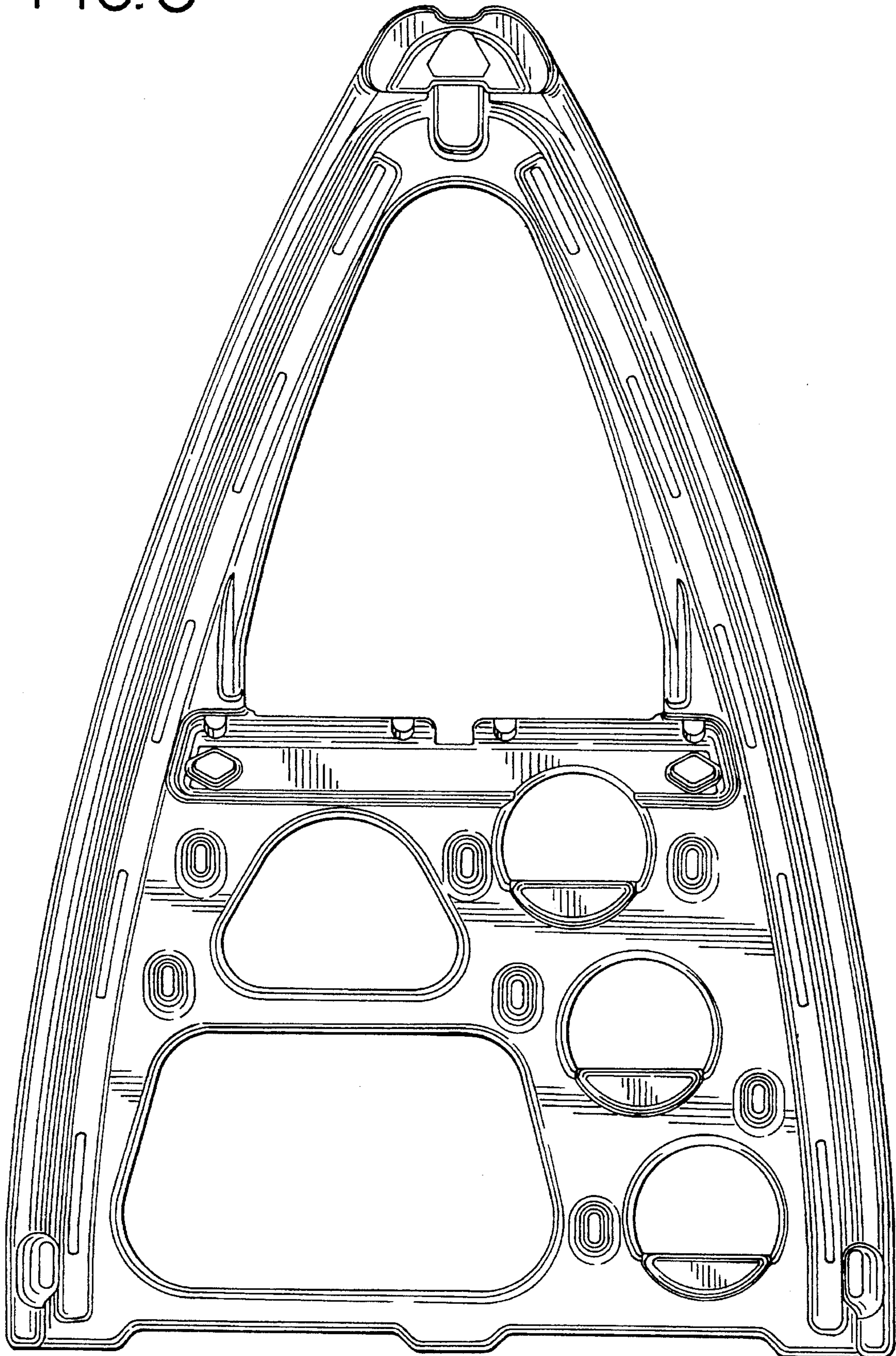


FIG. 4

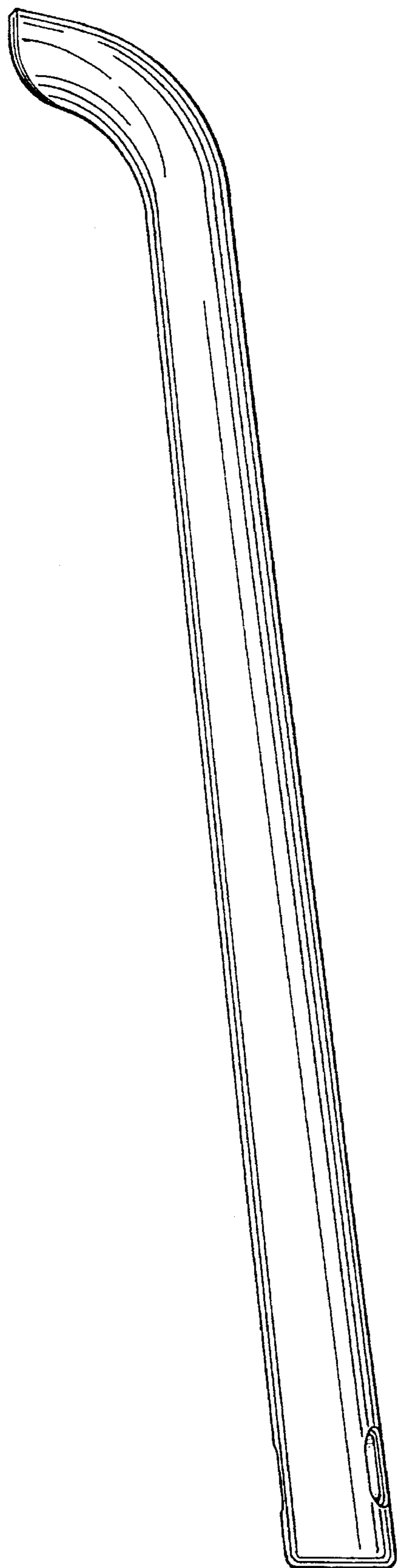


FIG. 5

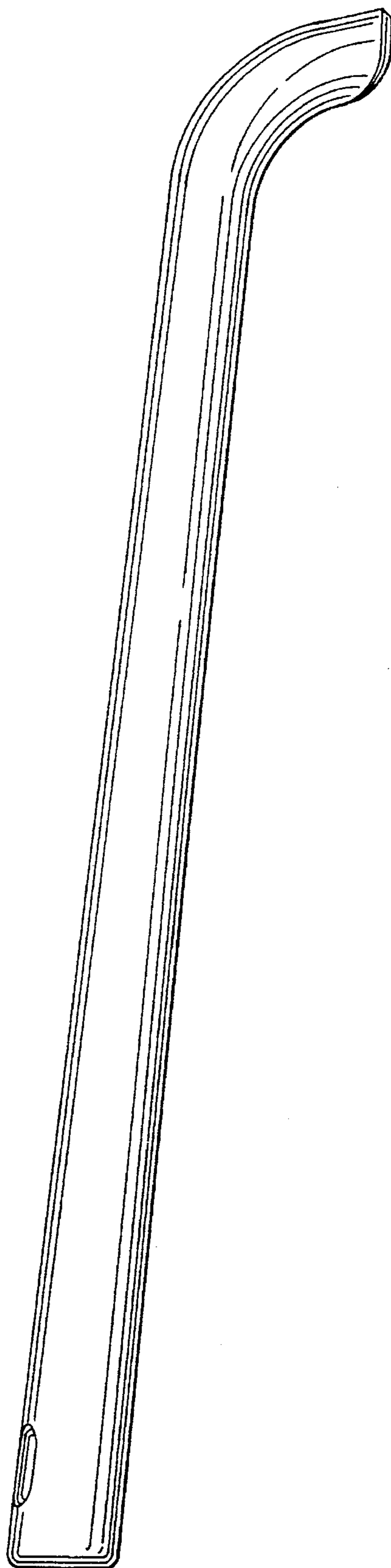


FIG. 6

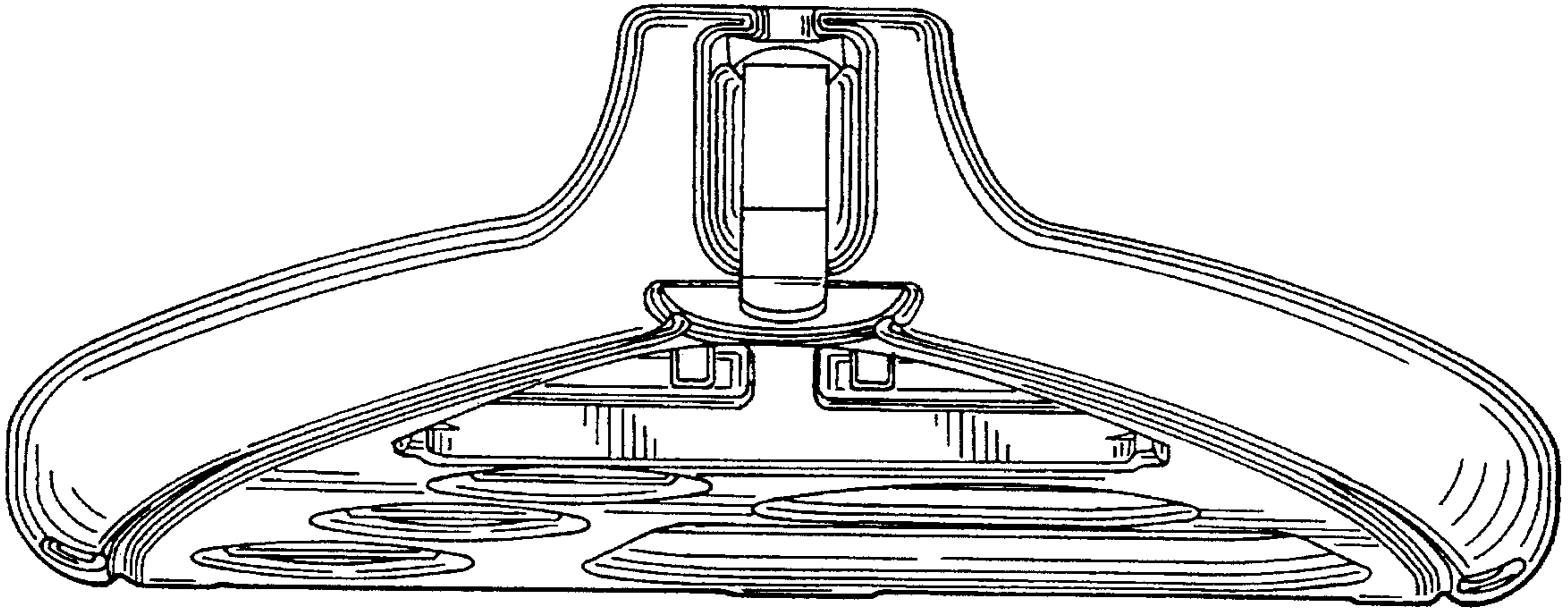


FIG. 7

