



US00D374901S

United States Patent [19]

Cacciola et al.

[11] Patent Number: **Des. 374,901**

[45] Date of Patent: ****Oct. 22, 1996**

[54] **PLAY HOUSE**

[75] Inventors: **Joseph C. Cacciola; William K. Ford,**
both of Hudson, Ohio

[73] Assignee: **The Little Tikes Company,** Hudson,
Ohio

[**] Term: **14 Years**

[21] Appl. No.: **41,214**

[22] Filed: **Jul. 10, 1995**

[52] U.S. Cl. **D21/240;** D21/114

[58] Field of Search D21/114, 240-245,
D21/247; 472/110, 116, 117; 446/110, 476,
478; 482/35, 36

[56] **References Cited**

U.S. PATENT DOCUMENTS

D. 170,143	8/1953	Beethoven	D34/15
D. 176,551	1/1956	Patterson	D34/15
D. 181,565	11/1957	Wallace et al.	D34/15
D. 240,252	6/1976	Orenstein	D34/15
D. 246,739	12/1977	Cartablano	D34/15
D. 250,057	10/1978	Morrison et al.	D34/15
D. 256,383	8/1980	Clanton	D21/114

D. 281,986	12/1985	Nottingham et al.	D21/114
D. 322,101	12/1991	Mariol	D21/114
D. 340,482	10/1993	Aker et al.	D21/114
D. 346,420	4/1994	Cacciola et al.	D21/242
D. 351,637	10/1994	Neidig	D21/240
D. 358,620	5/1995	Hill et al.	D21/244

Primary Examiner—Ted Shooman
Assistant Examiner—Mitchell I. Siegel
Attorney, Agent, or Firm—Richard B. O'Planick; Lisa B. Reidesel

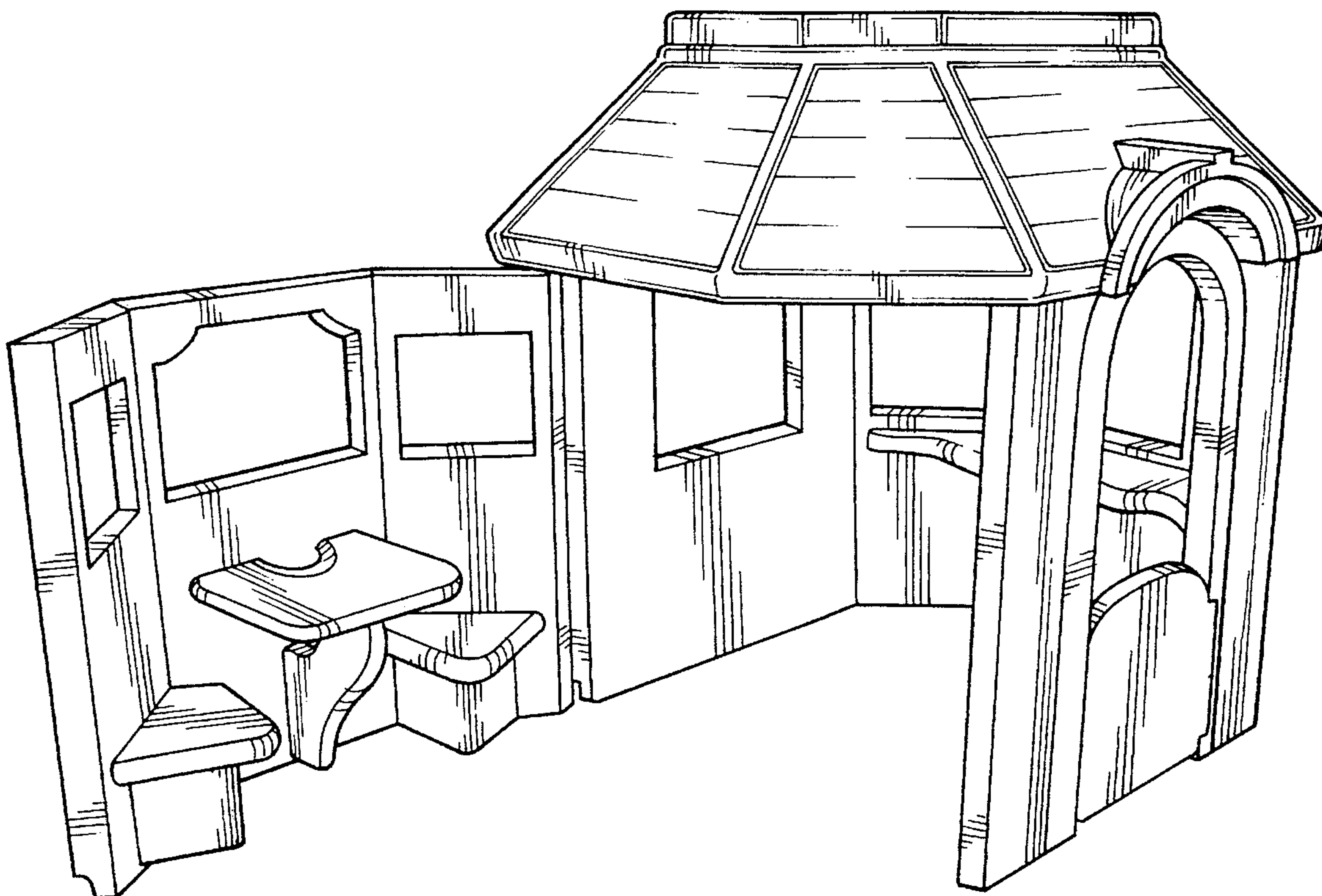
[57] **CLAIM**

The ornamental design for a play house, as shown and described.

DESCRIPTION

FIG. 1 is a top front perspective view of a play house showing our new design;
FIG. 2 is a front elevational view thereof;
FIG. 3 is a rear elevational view thereof;
FIG. 4 is a left side elevational view thereof, in reduced scale;
FIG. 5 is a right side elevational view of FIG. 3;
FIG. 6 is a top plan view of FIG. 4, and,
FIG. 7 is a bottom plan view of FIG. 4.

1 Claim, 6 Drawing Sheets



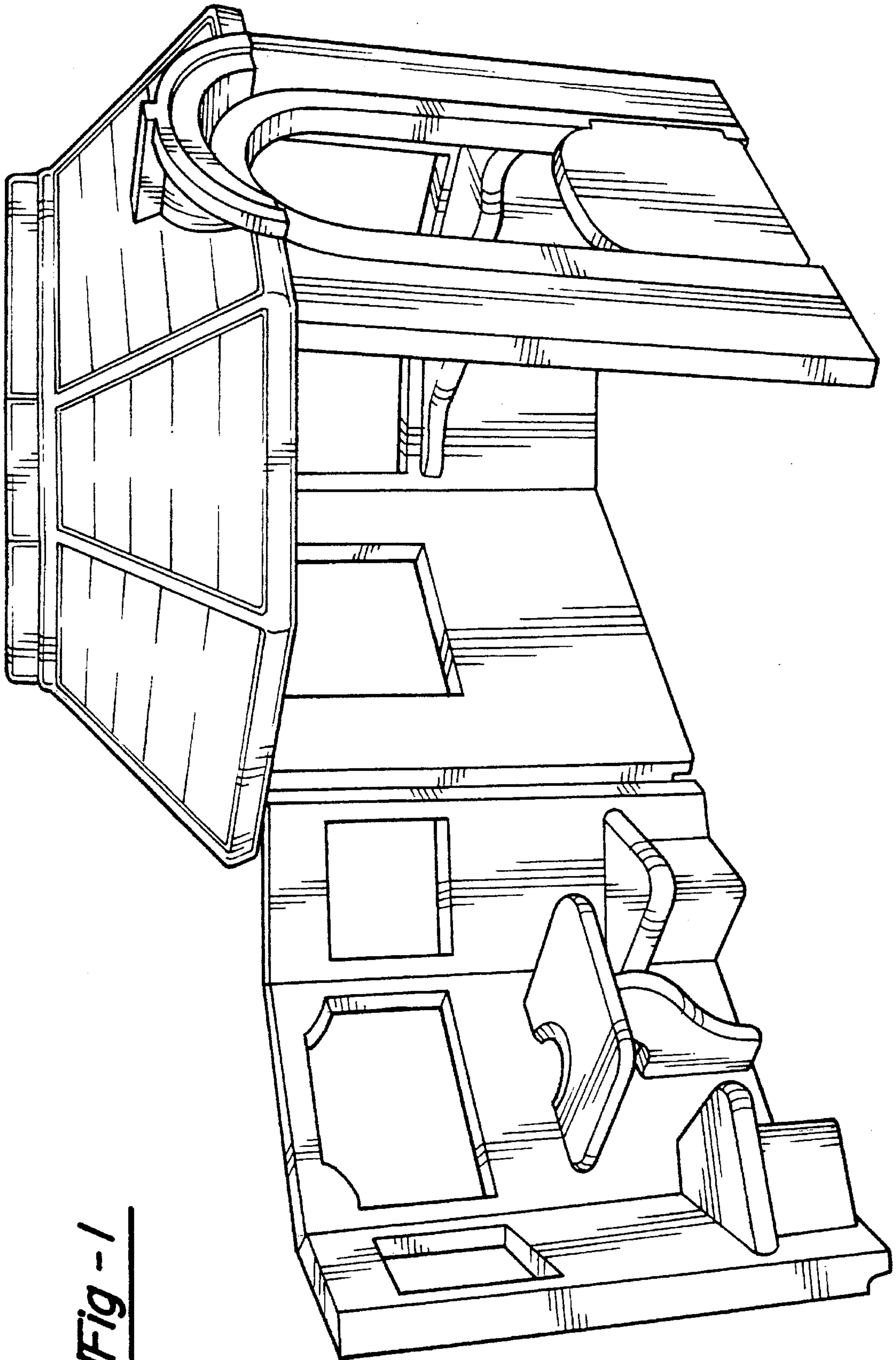


Fig - 1

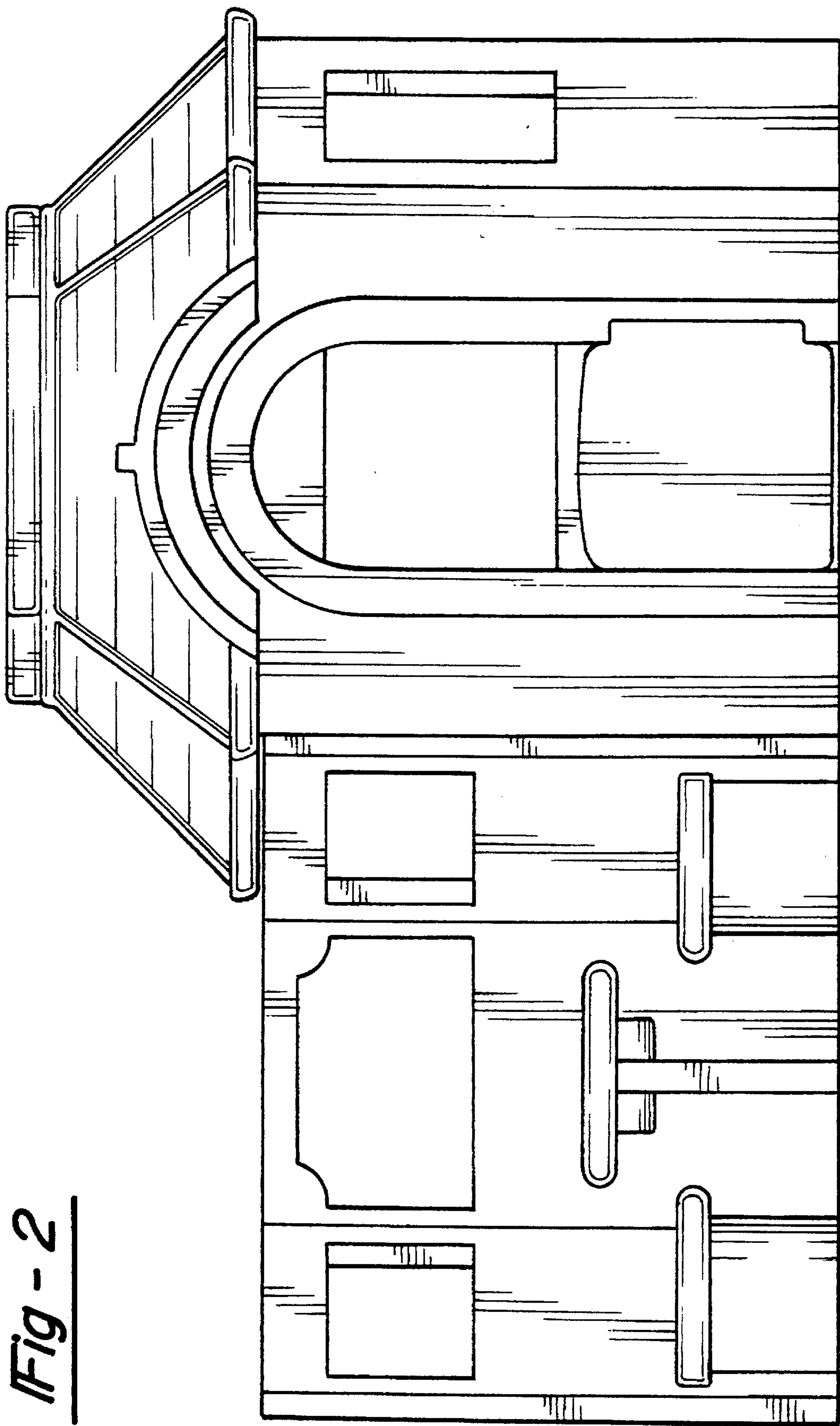


Fig - 2

Fig - 3

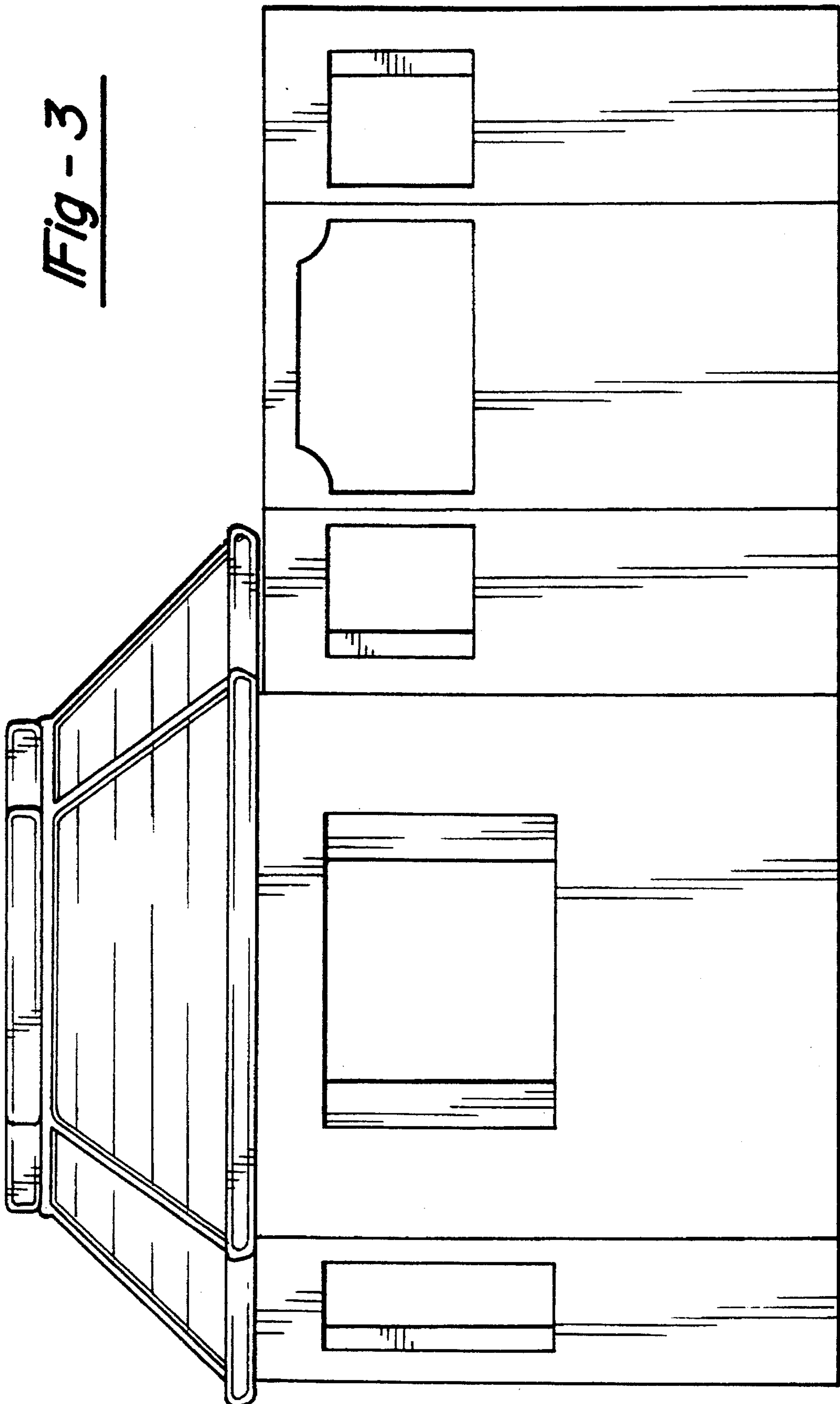


Fig - 5

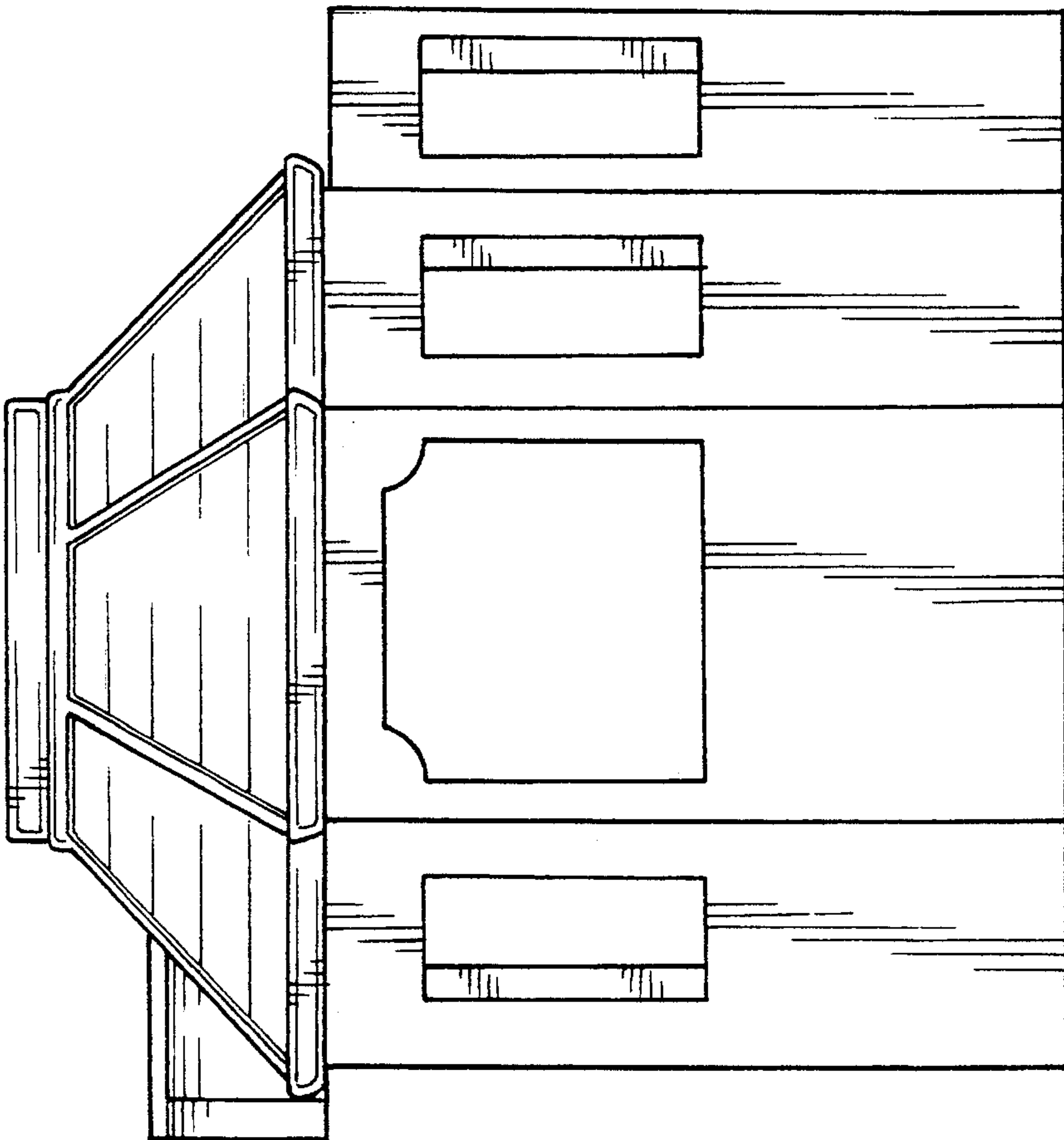
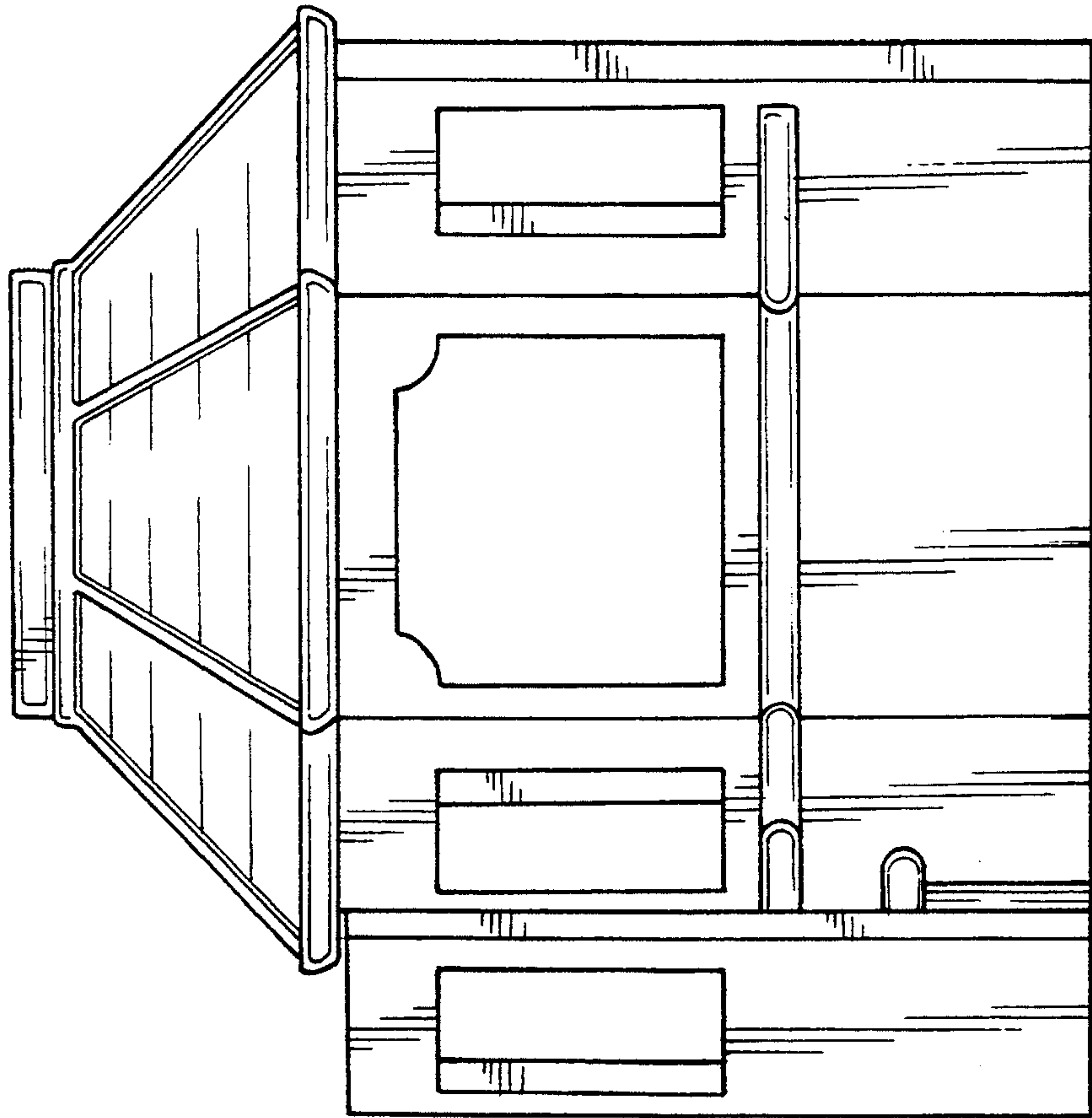


Fig - 4

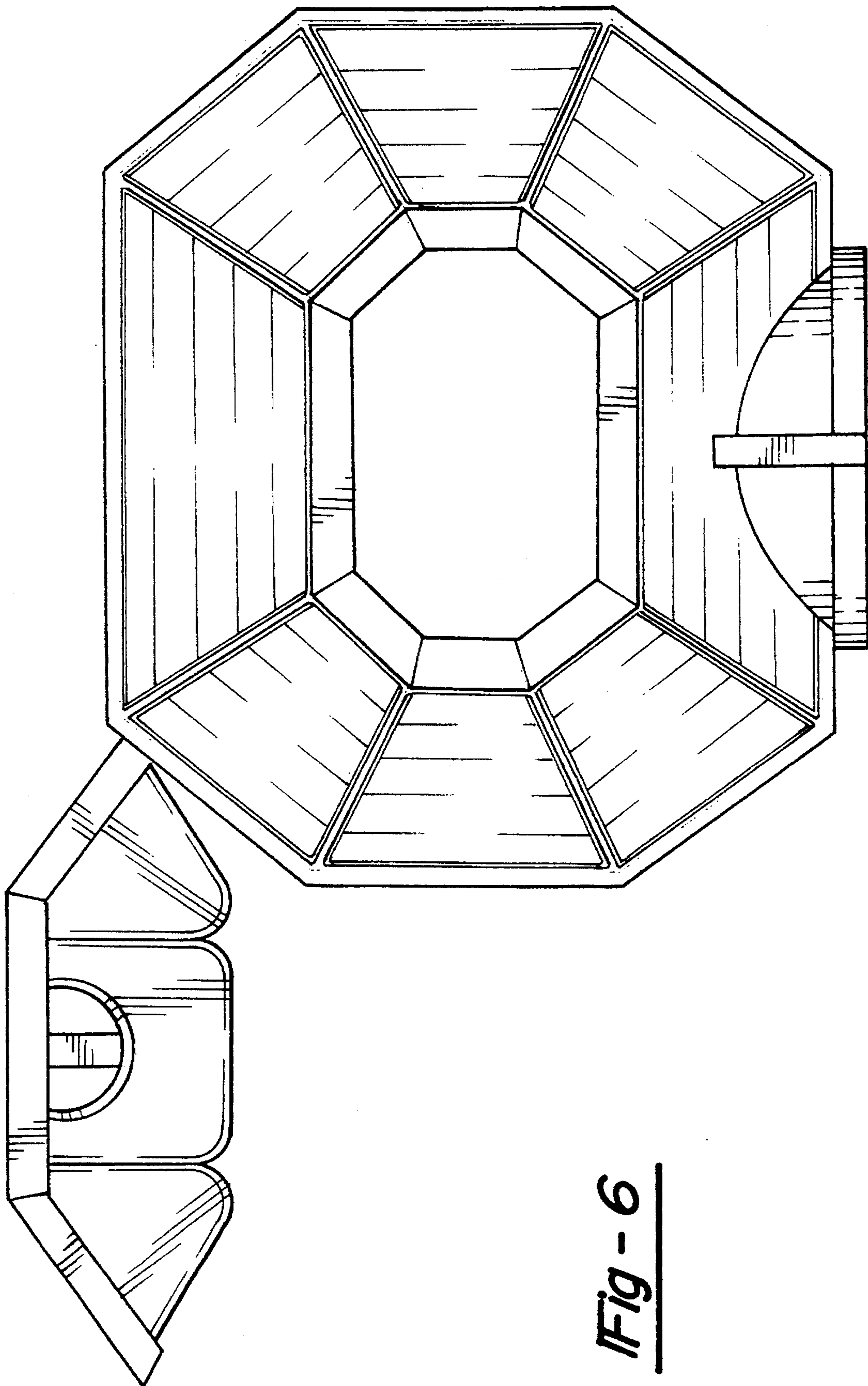


Fig - 6

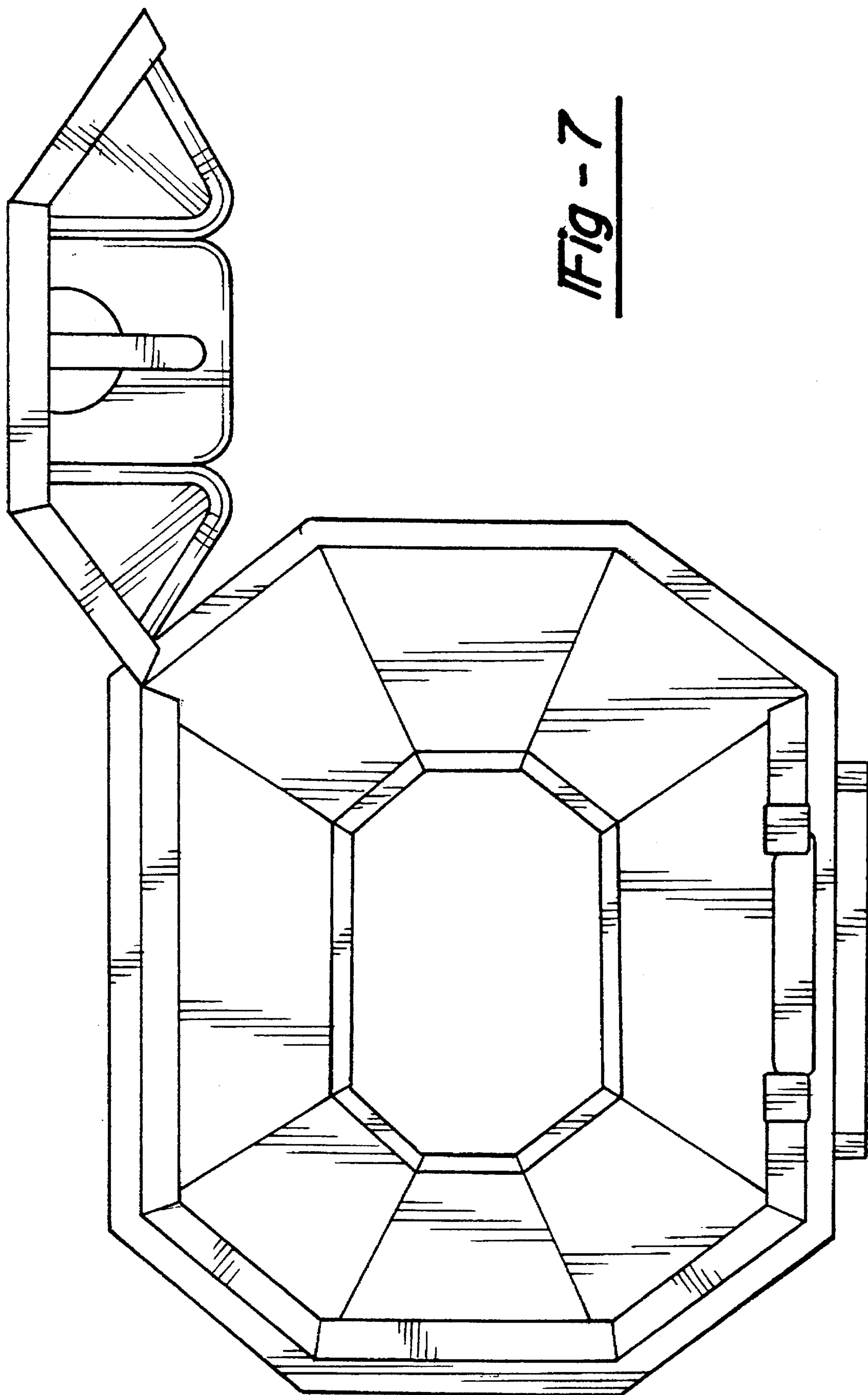


Fig - 7