



US00D374898S

# United States Patent [19] Cheng

[11] **Patent Number: Des. 374,898**  
[45] **Date of Patent: \*\*Oct. 22, 1996**

[54] **GOLF TEE**

4,758,195 7/1988 Walsh ..... D21/108 X

[76] **Inventor: Peter S. C. Cheng**, 99 Glencairn Street,  
Toronto, Ontario, Canada, M4R 1M7

*Primary Examiner*—Prabhakar G. Deshmukh  
*Assistant Examiner*—Cheri Cohen  
*Attorney, Agent, or Firm*—Kirschstein, et al.

[\*\*] **Term: 14 Years**

[57] **CLAIM**

[21] **Appl. No.: 40,879**

The ornamental design for a golf tee, as shown and described.

[22] **Filed: Jun. 29, 1995**

[52] **U.S. Cl. .... D21/208**

**DESCRIPTION**

[58] **Field of Search .... D21/208, 234,  
D21/108; 273/33, 32.5, 201-212**

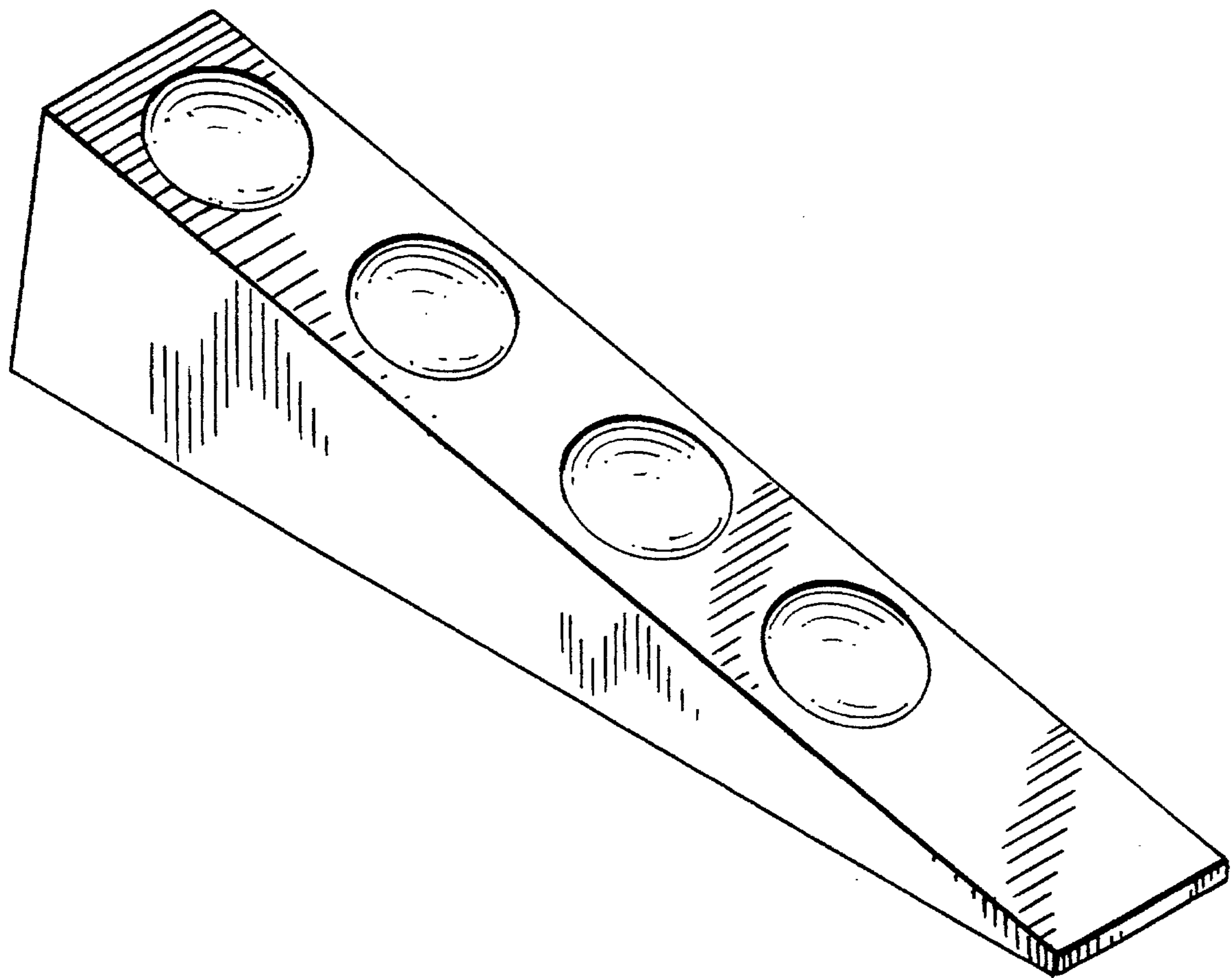
FIG. 1 is a perspective view of a golf tee showing my new design;  
FIG. 2 is a right side elevational view thereof;  
FIG. 3 is a left side elevational view thereof;  
FIG. 4 is a top plan view thereof;  
FIG. 5 is a front elevational view thereof, the rear elevational view being a mirror image; and,  
FIG. 6 is a bottom plan view thereof.

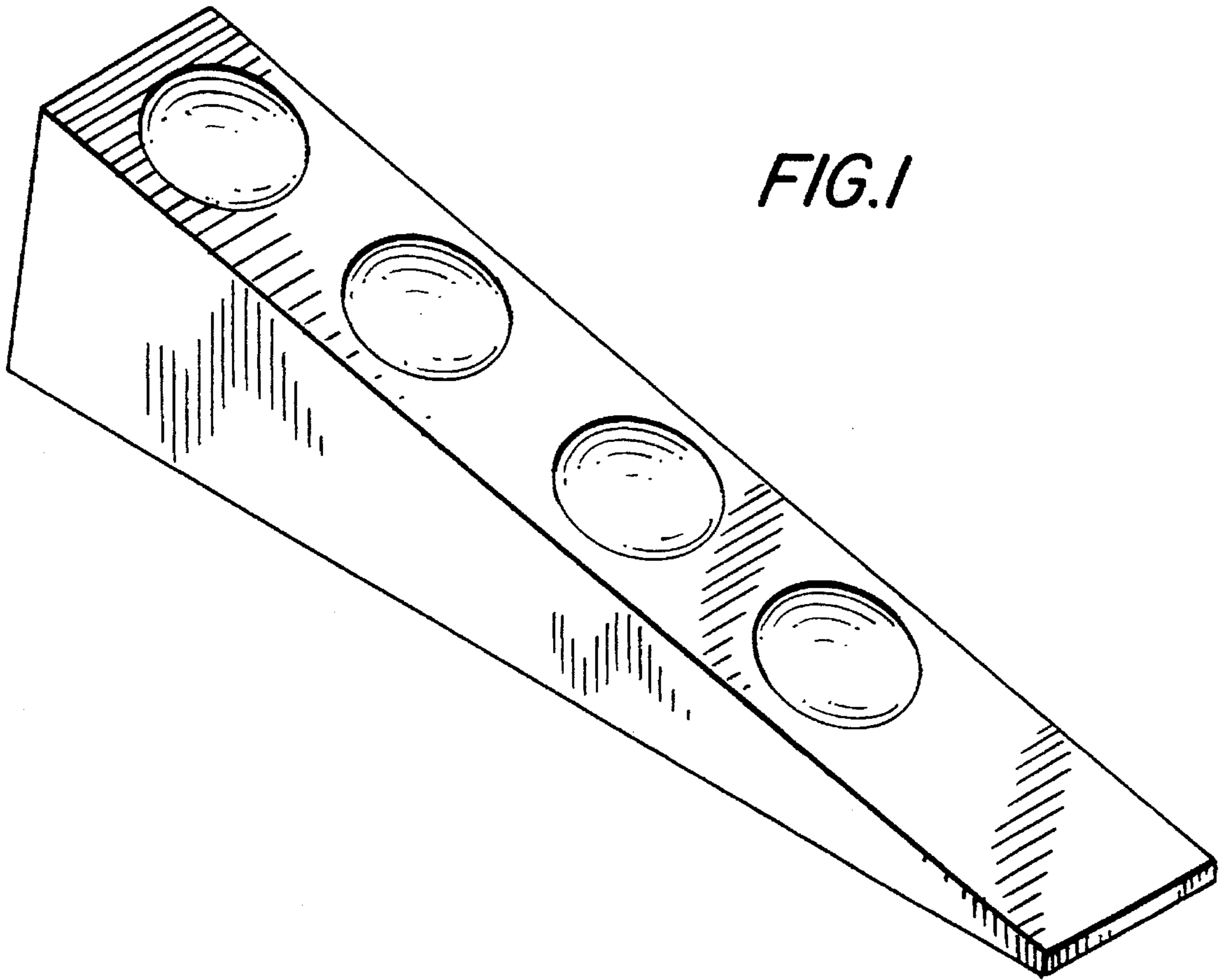
[56] **References Cited**

**U.S. PATENT DOCUMENTS**

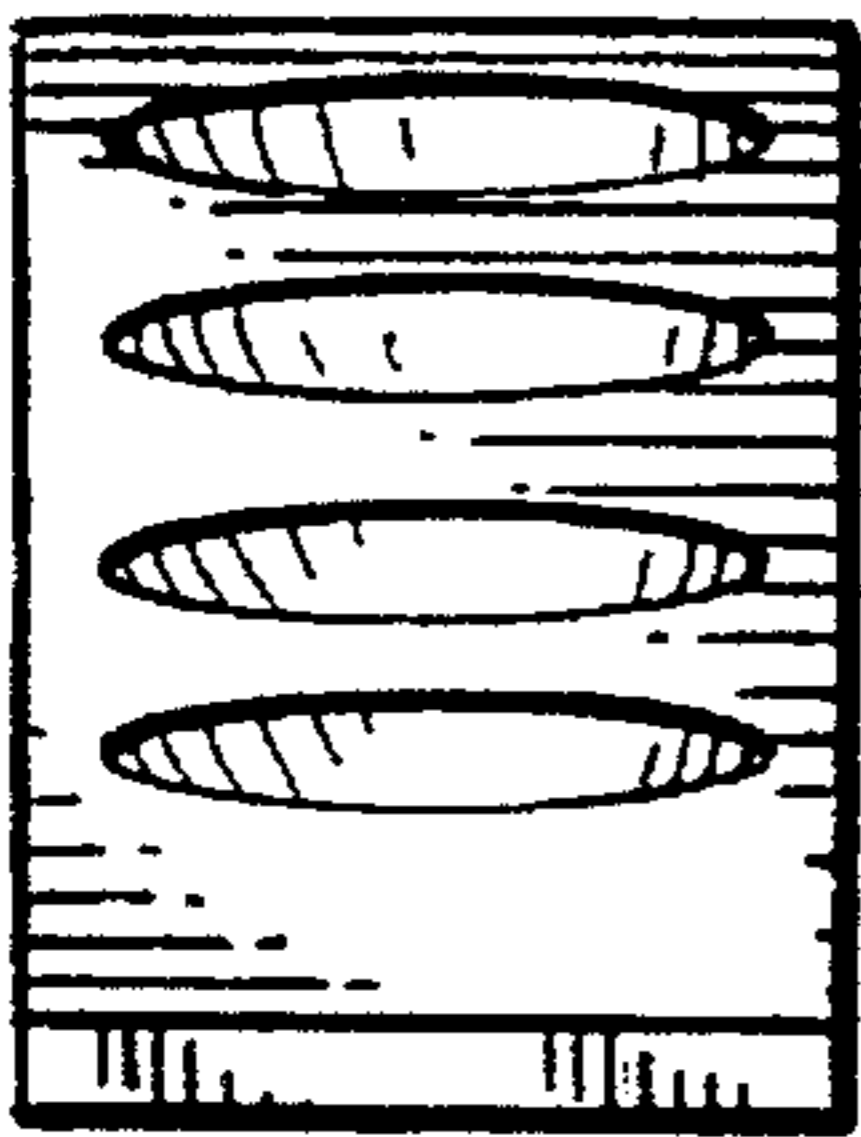
D. 346,416	4/1994	Cassidy	.....	D21/208
1,551,207	8/1925	Nial et al.	.....	D21/208 X
1,692,233	11/1928	Van Patten	.....	D21/208 X
2,072,688	3/1937	Rose	.....	D21/234 X
2,079,387	5/1937	Sickmiller	.....	273/202

**1 Claim, 2 Drawing Sheets**

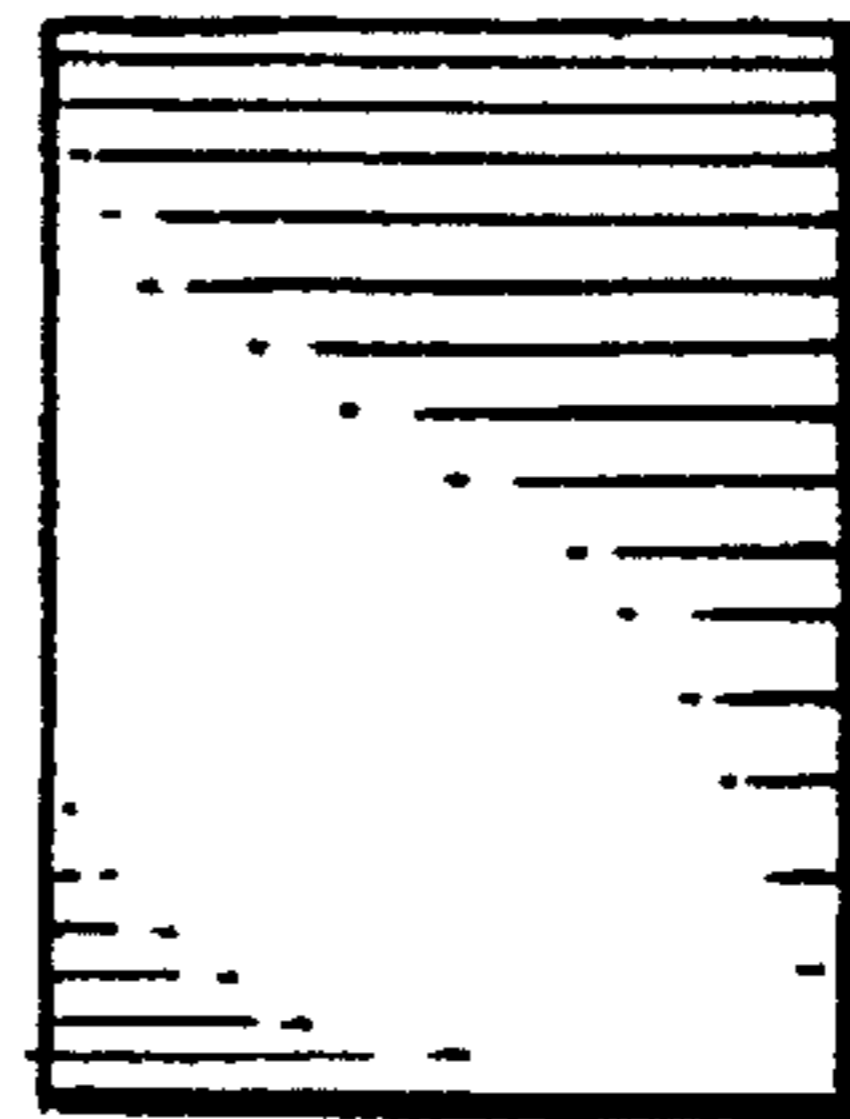




*FIG. 1*

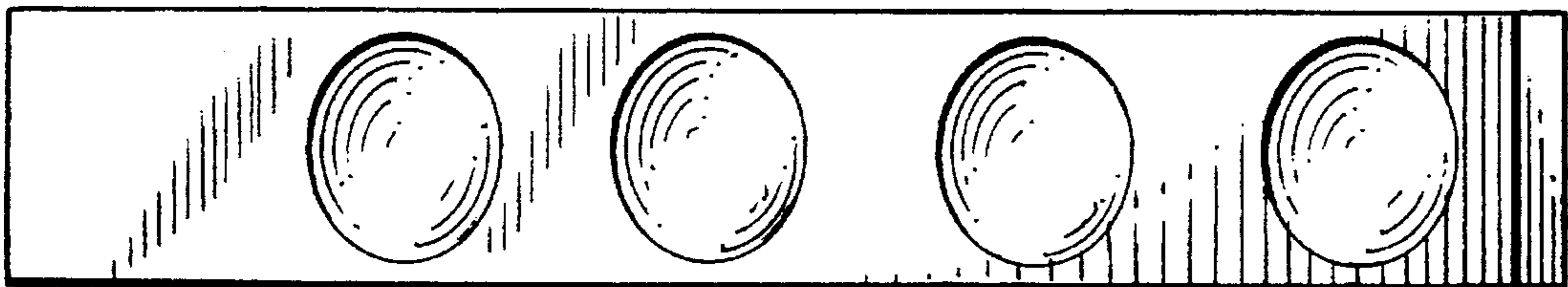


*FIG. 2*

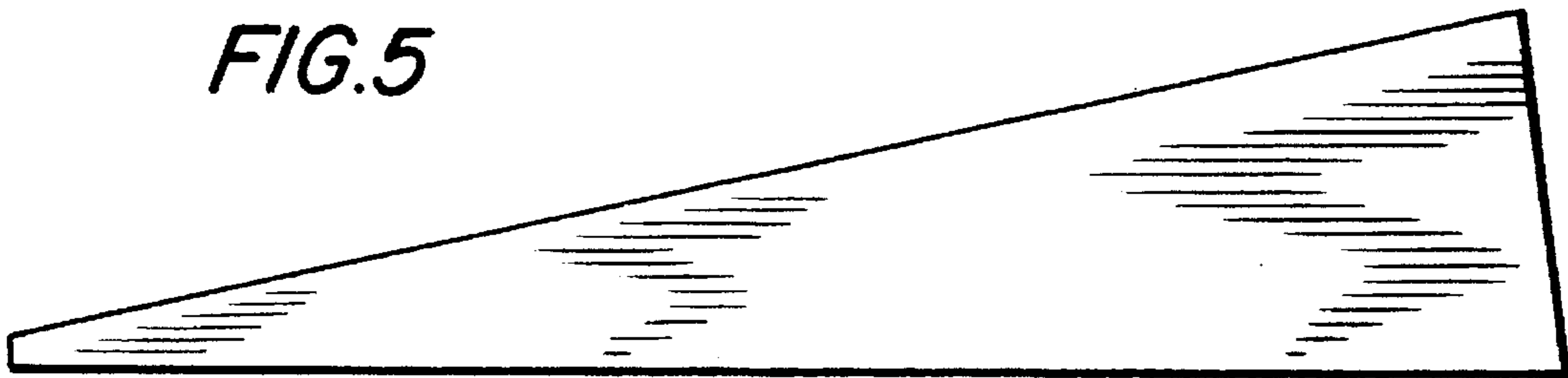


*FIG. 3*

*FIG. 4*



*FIG. 5*



*FIG. 6*

