



US00D374896S

United States Patent [19]

Stroud et al.

[11] Patent Number: **Des. 374,896**

[45] Date of Patent: ****Oct. 22, 1996**

[54] **AUTO DASHBOARD ACTIVITY CENTER**

[75] Inventors: **David J. Stroud**, Dayton; **Tracy C. Roan**, Springfield; **Ilango Sankaralingam**, Tipp City, all of Ohio

[73] Assignee: **Lisco, Inc.**, Tampa, Fla.

[**] Term: **14 Years**

[21] Appl. No.: **46,359**

[22] Filed: **Nov. 13, 1995**

[52] U.S. Cl. **D21/142; D21/59**

[58] Field of Search **D21/59, 142; 446/7**

[56] **References Cited**

U.S. PATENT DOCUMENTS

- D. 197,339 1/1964 Jaffe D21/142
- D. 263,406 3/1982 Orenstein D21/142
- D. 280,650 9/1985 Tateyama D21/59 X

- D. 321,384 11/1991 Cheung et al. D21/142
- D. 328,624 8/1992 Hu D21/142
- 4,208,831 6/1980 Strauss 446/7
- 4,932,913 6/1990 Raviv et al. 446/7

Primary Examiner—Dominic Simone

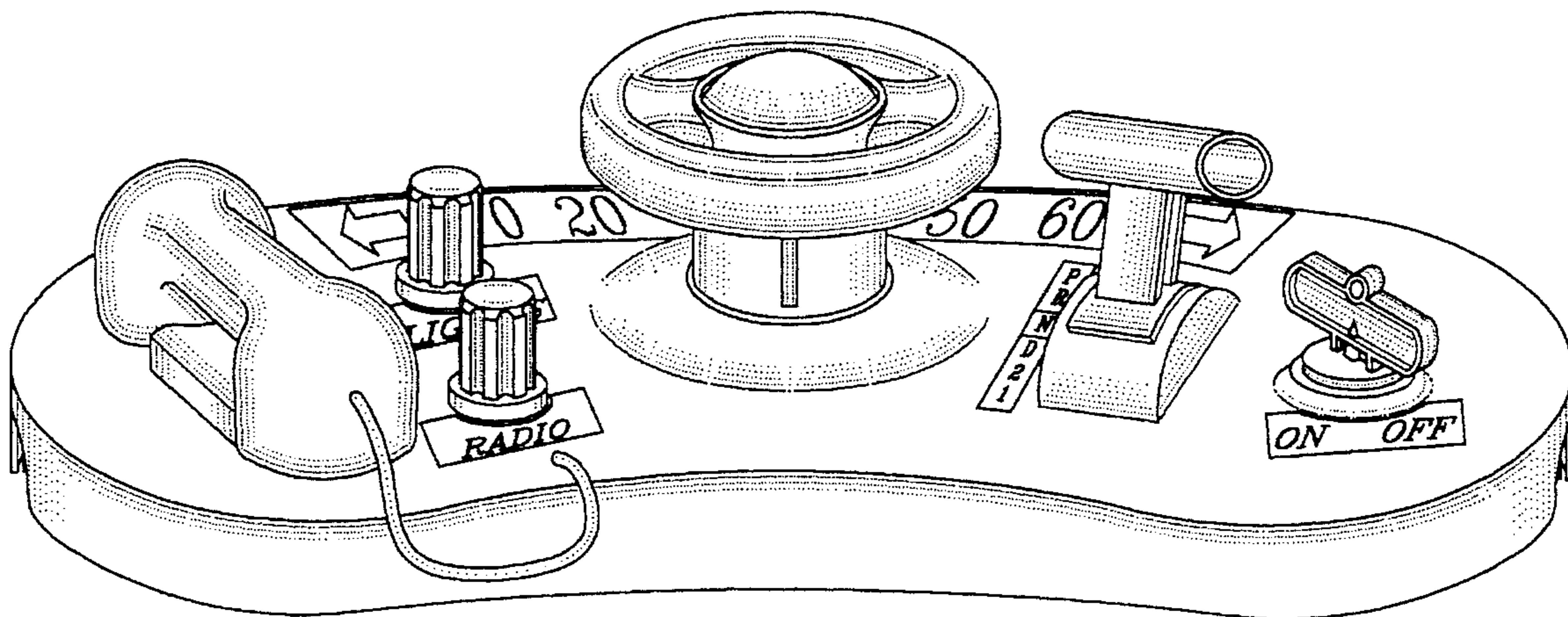
[57] **CLAIM**

The ornamental design of the auto dashboard activity center, as shown and described.

DESCRIPTION

FIG. 1 is a top plan view of the auto dashboard activity center showing the design of our invention;
 FIG. 2 is a left side view thereof;
 FIG. 3 is a bottom view thereof;
 FIG. 4 is a right side view thereof;
 FIG. 5 is a rear view thereof; and,
 FIG. 6 is a front view thereof.

1 Claim, 3 Drawing Sheets



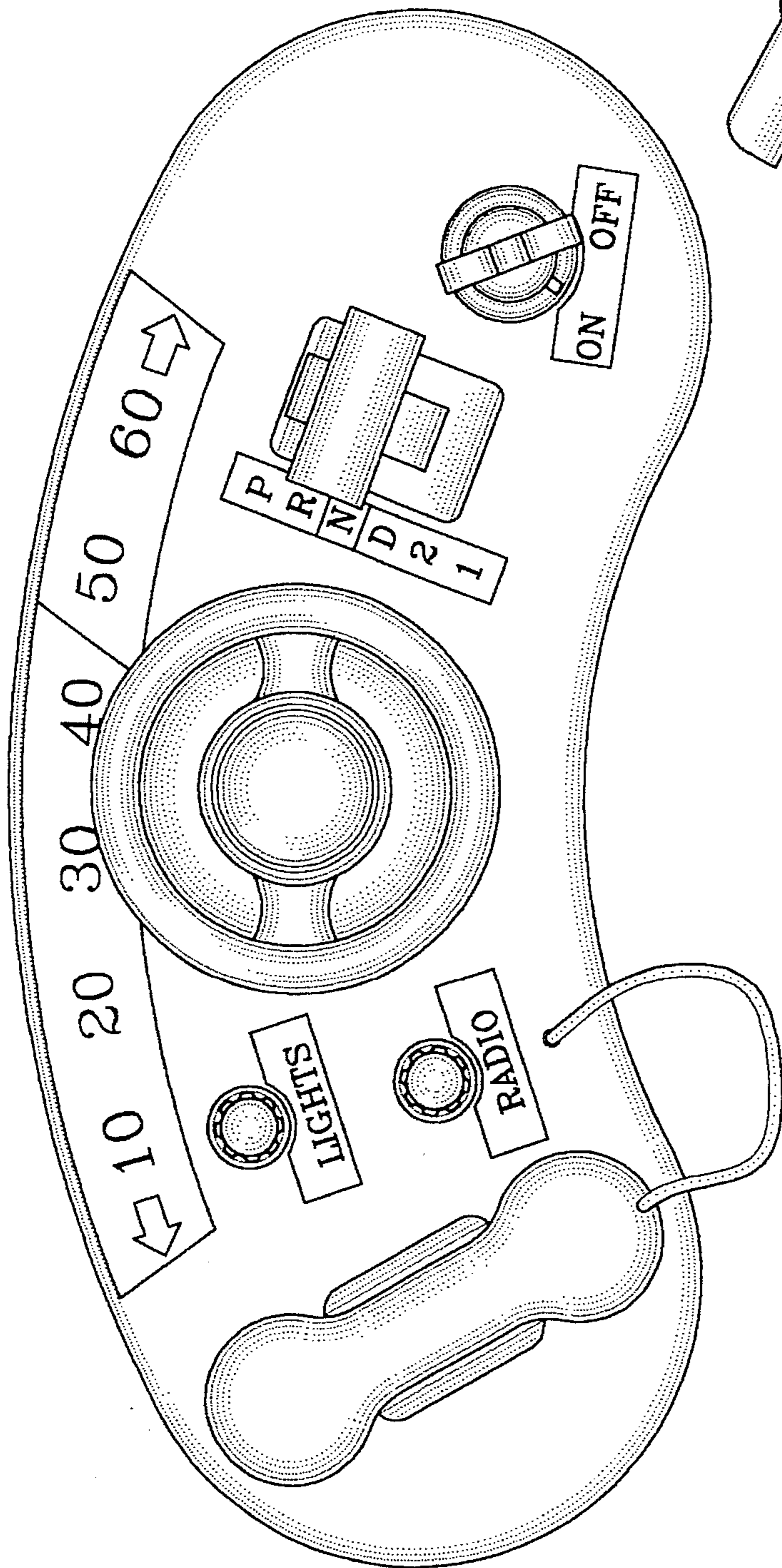


FIG. 1

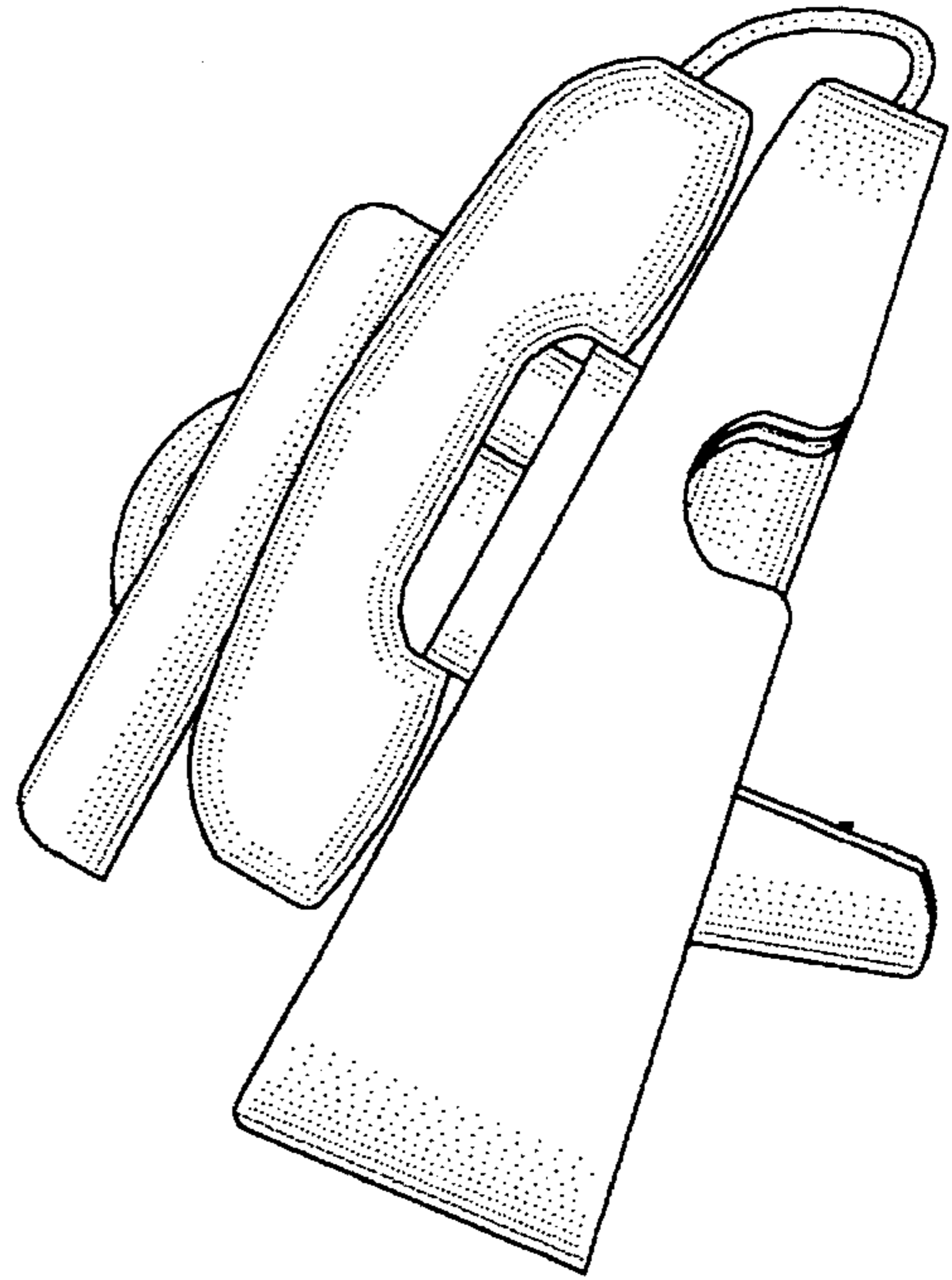


FIG. 2

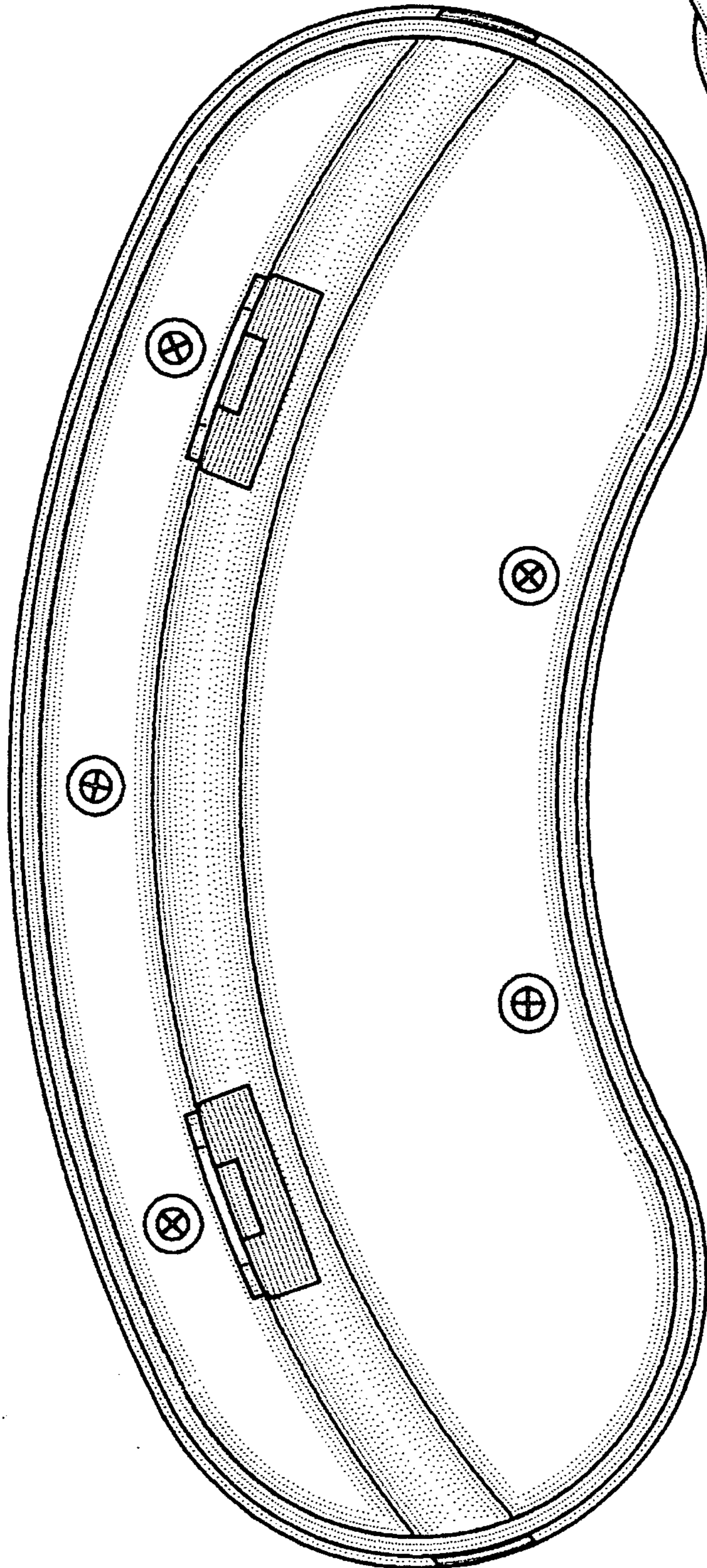


FIG. 3

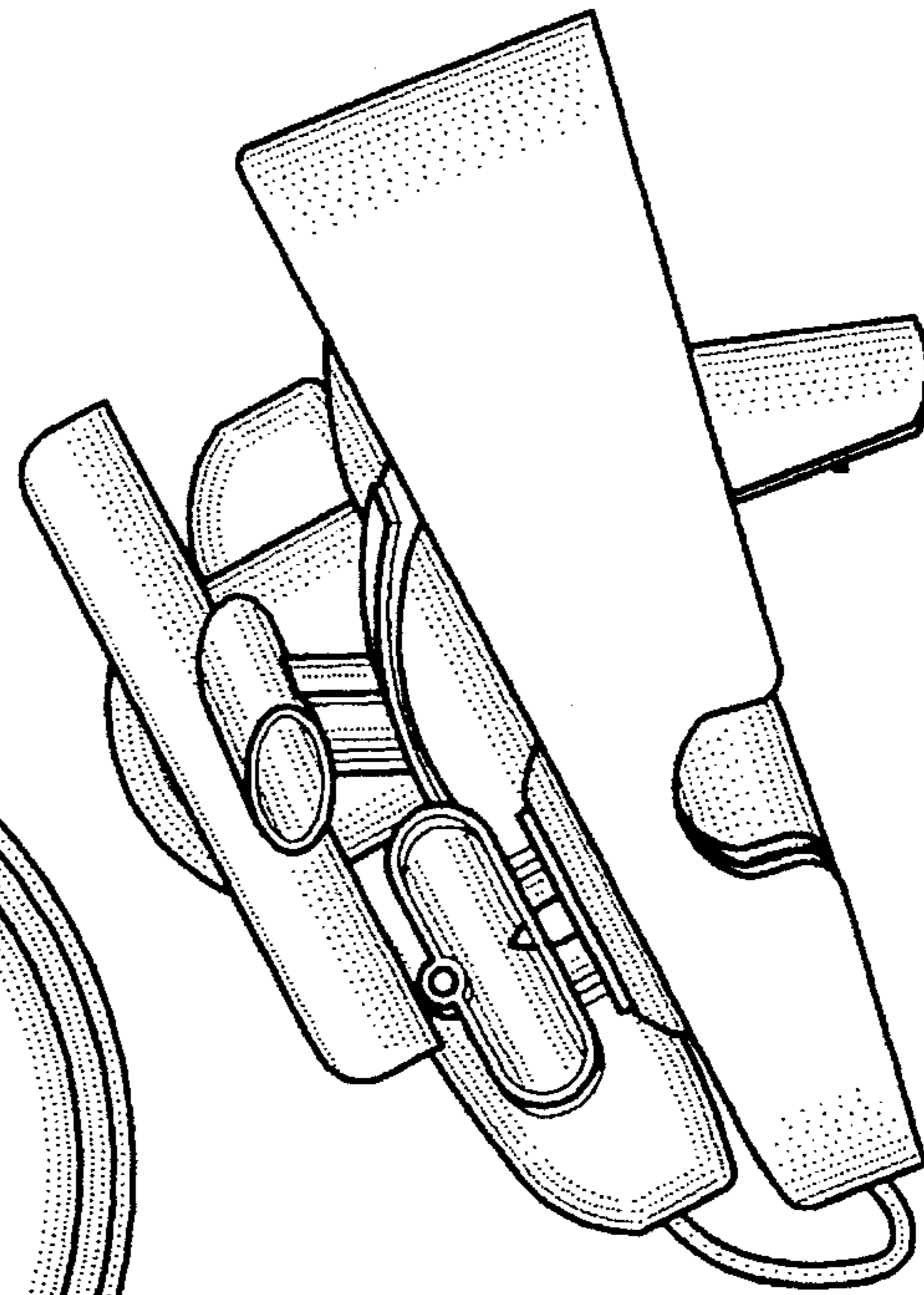


FIG. 4

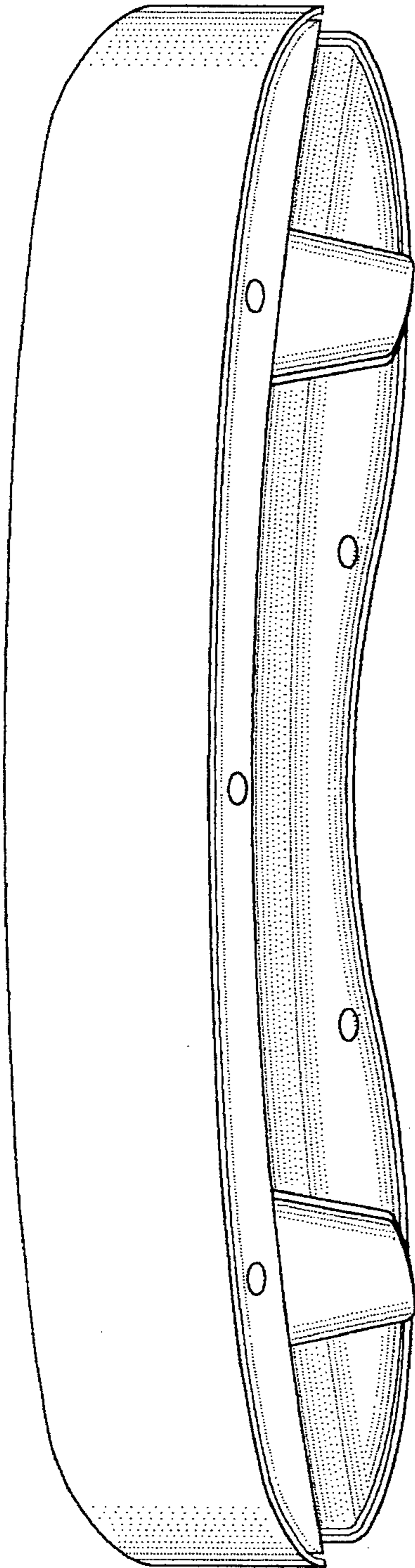


FIG. 5

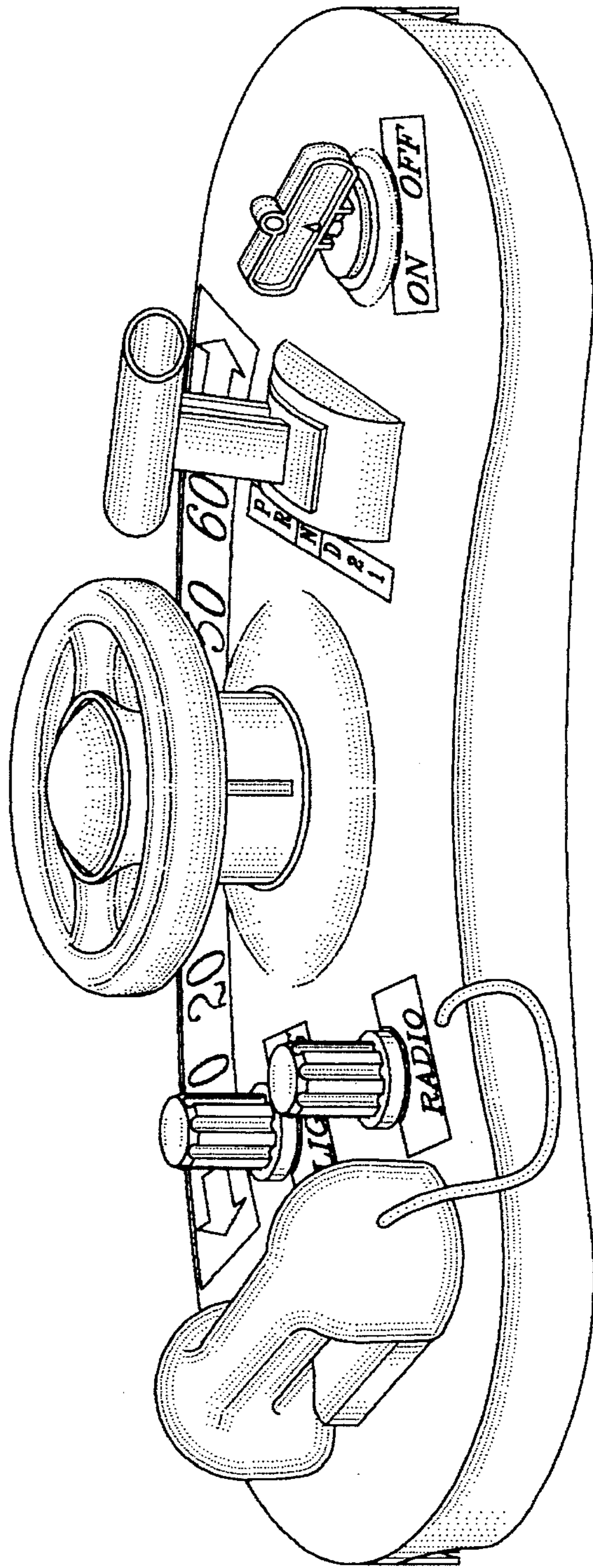


FIG. 6