



US00D374894S

United States Patent [19]

[11] Patent Number: **Des. 374,894**

Towns et al.

[45] Date of Patent: ****Oct. 22, 1996**

[54] **TAPE DISPENSER**

[76] Inventors: **Kyle Towns**, P.O. Box 1109, Riverton, Wyo. 82501; **Cher Hesse**, 1121 E. 1300 North, Shelley, Id. 83274

[**] Term: **14 Years**

[21] Appl. No.: **44,670**

[22] Filed: **Sep. 28, 1995**

[52] U.S. Cl. **D19/69**; D19/67

[58] Field of Search D19/35, 36, 65, D19/67, 68, 69, 75, 95, 99, 100; 225/5, 19, 24, 25, 34, 35, 45, 56, 66, 77, 89; 156/510, 527

[56] **References Cited**

U.S. PATENT DOCUMENTS

- D. 150,498 8/1948 Hazelton D19/69
- D. 182,792 5/1958 Cullen D19/69
- D. 182,793 5/1958 Cullen D19/69

- D. 193,415 3/1961 Waltz D19/67 X
- D. 222,004 9/1971 Jensen D19/65
- D. 226,989 5/1973 Kikuchi et al. D19/69
- D. 227,165 9/1973 Gordon D19/69 X
- 4,222,509 9/1980 Smith 225/77

Primary Examiner—Martie Thompson
Attorney, Agent, or Firm—Lewis E. Massie

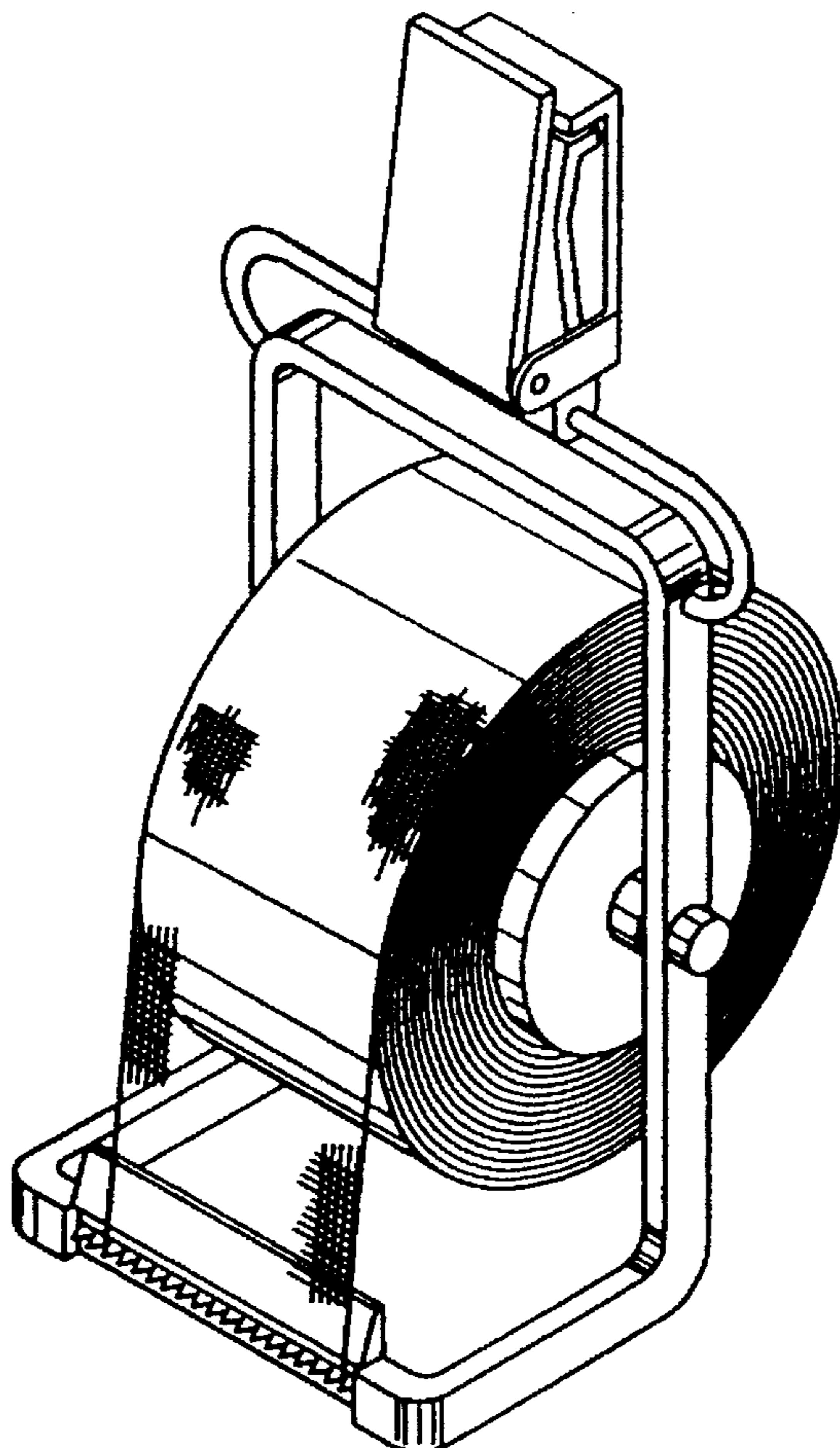
[57] **CLAIM**

The ornamental design for a tape dispenser, as shown and described.

DESCRIPTION

FIG. 1 is a perspective view of a tape dispenser showing our new design;
FIG. 2 is a left side elevational view;
FIG. 3 is a front elevational view;
FIG. 4 is a top plan view;
FIG. 5 is a right side elevational view; and,
FIG. 6 is a bottom plan view thereof.

1 Claim, 1 Drawing Sheet



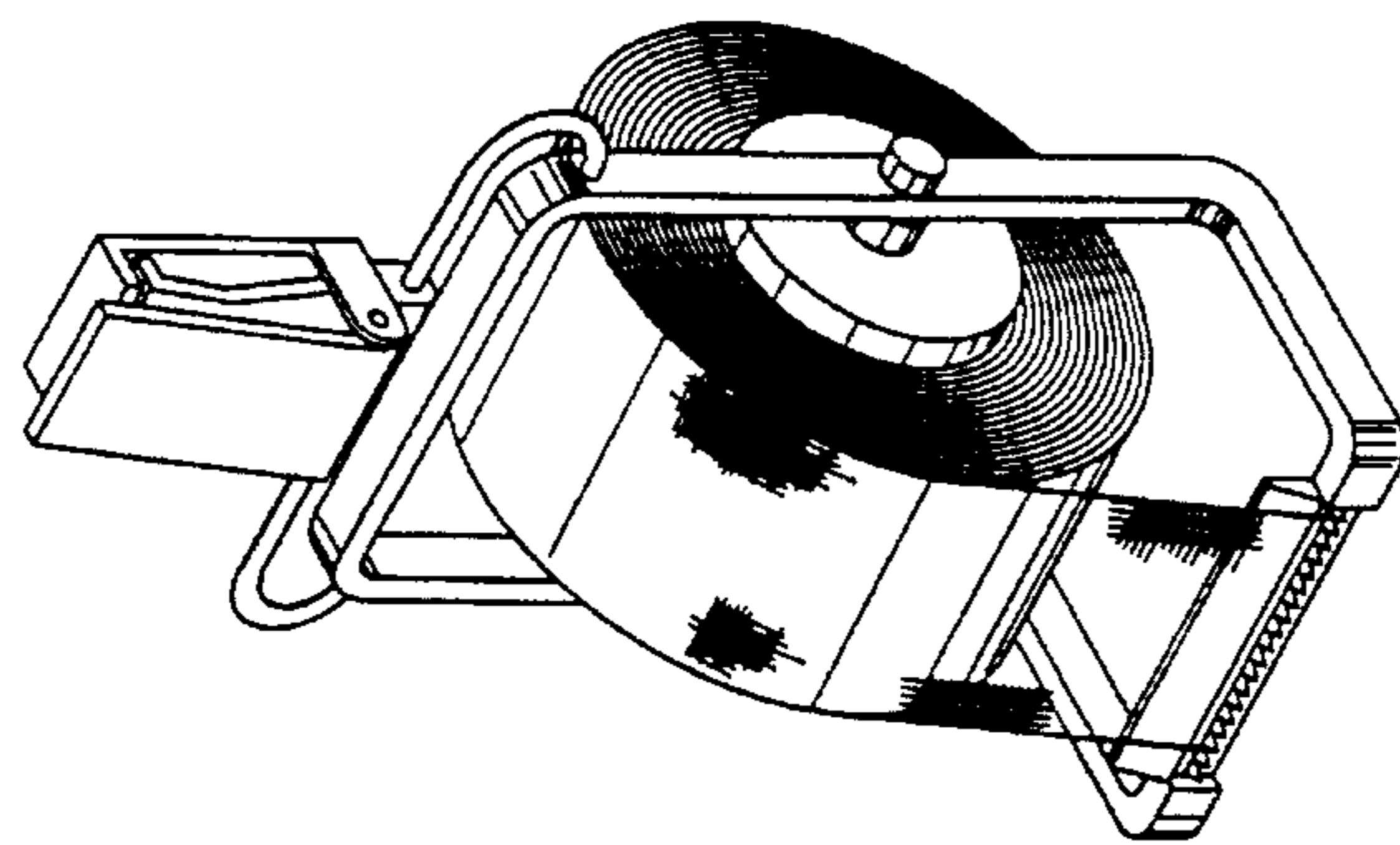


FIG. 1

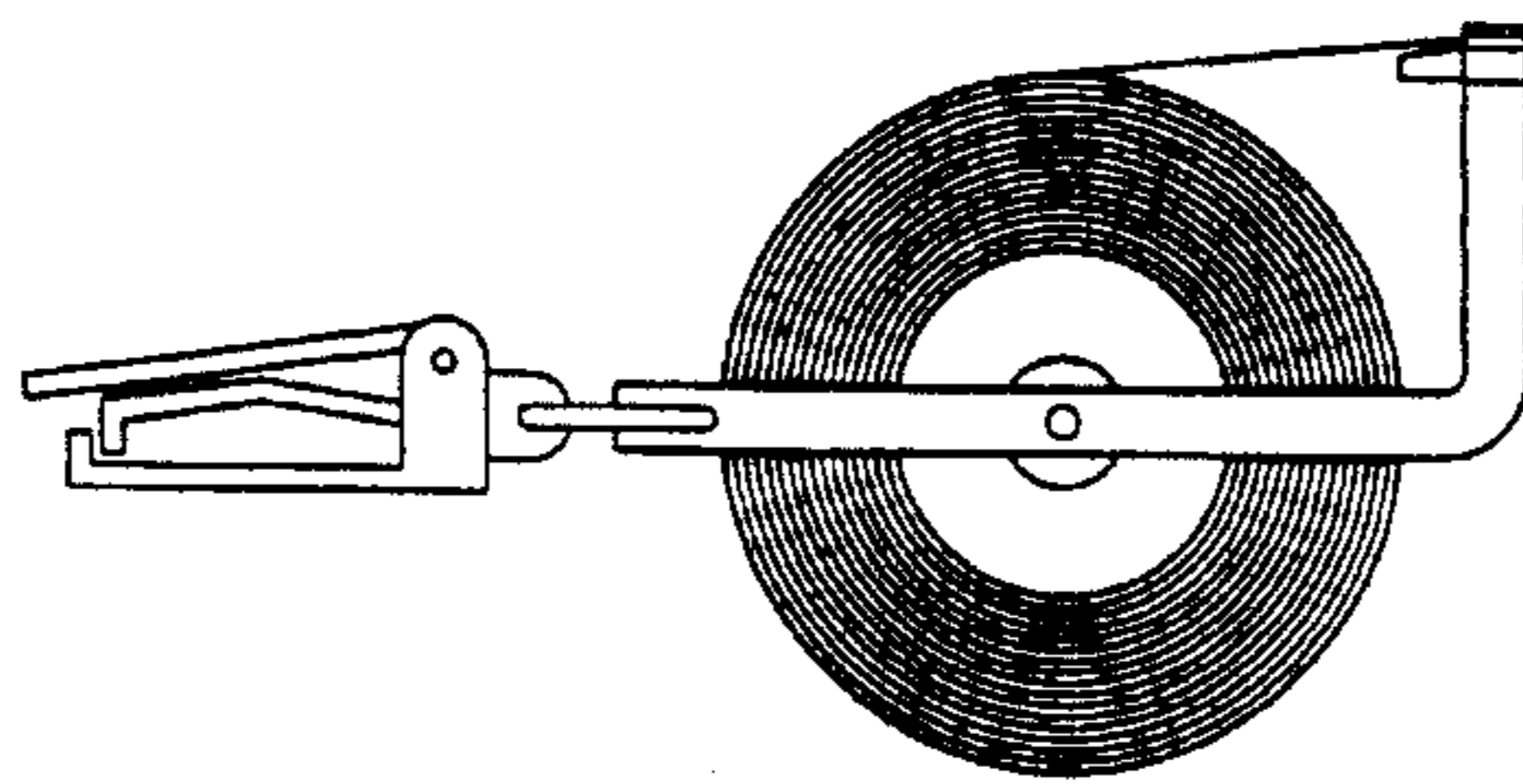


FIG. 5

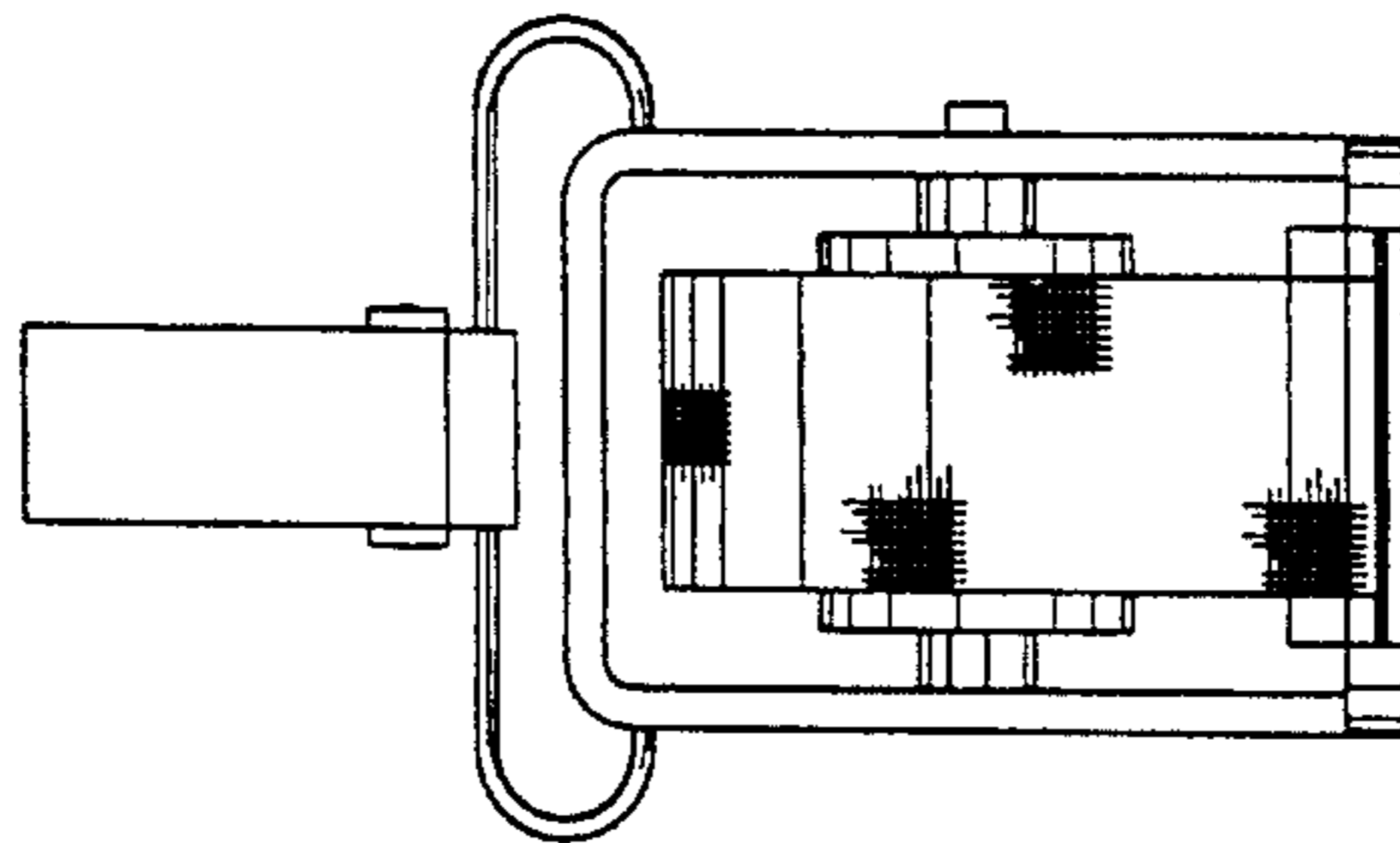


FIG. 3

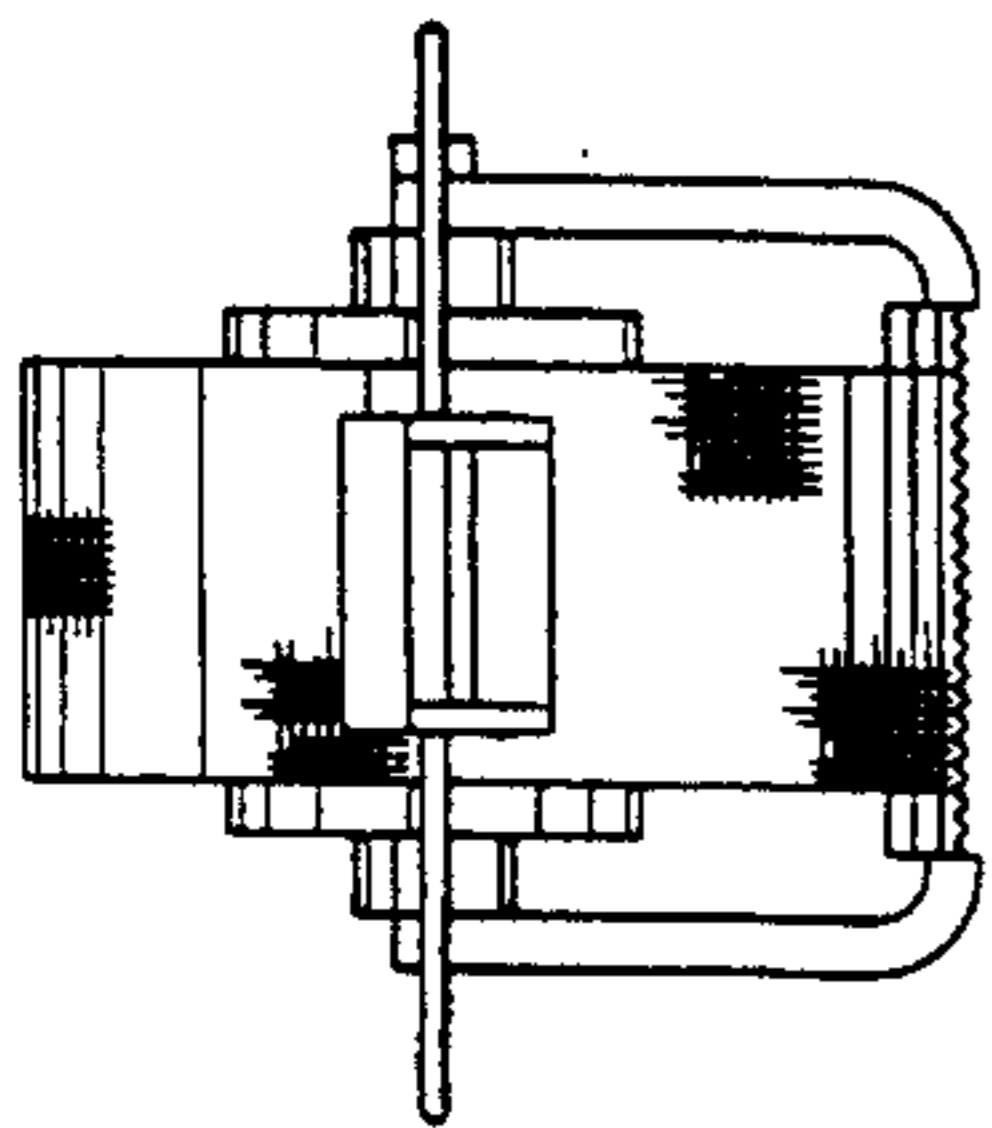


FIG. 4

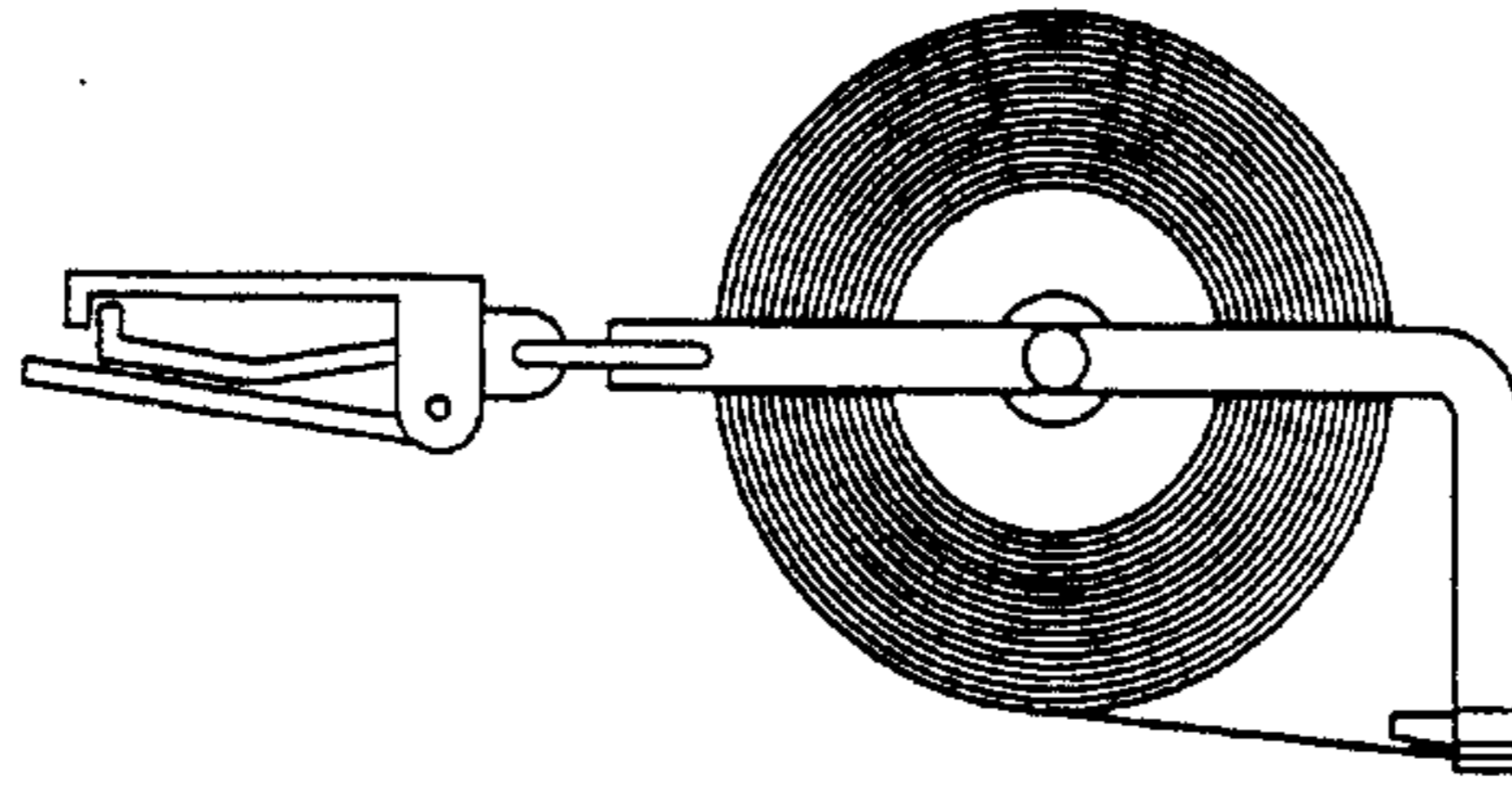


FIG. 2

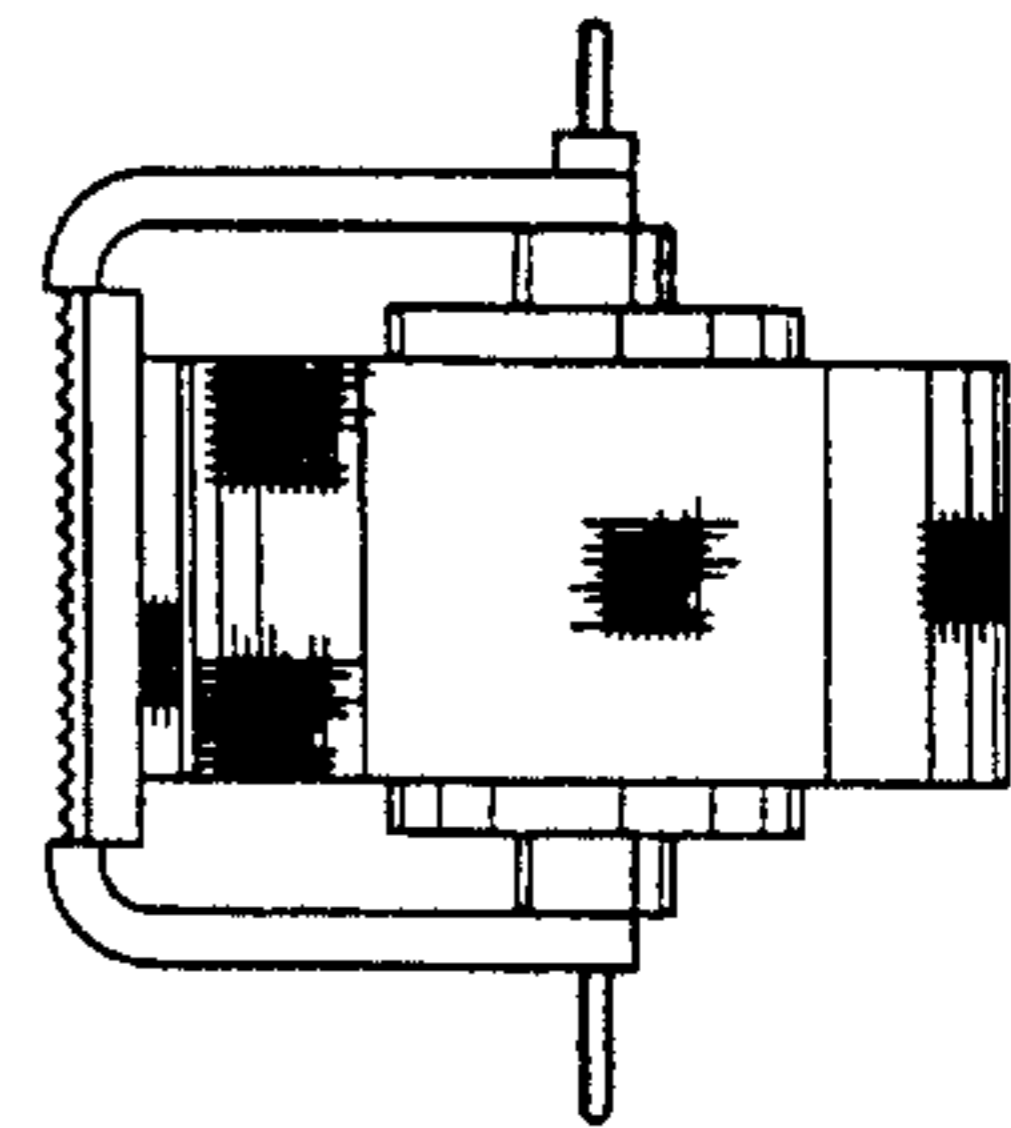


FIG. 6