



US00D374885S

United States Patent [19] Alger

[11] Patent Number: **Des. 374,885**

[45] Date of Patent: ****Oct. 22, 1996**

[54] **DELEAVER**

[75] Inventor: **Andrew L. Alger, Wilmette, Ill.**

[73] Assignee: **Uarco Incorporated, Barrington, Ill.**

[**] Term: **14 Years**

[21] Appl. No.: **12,414**

[22] Filed: **Sep. 1, 1993**

[52] U.S. Cl. **D18/47**

[58] Field of Search **D18/47; 225/4;
229/69; 270/52.5**

[56] **References Cited**

U.S. PATENT DOCUMENTS

D. 194,568	2/1963	Mox	D18/47
D. 235,920	7/1975	Alger et al.	D18/47
D. 235,921	7/1975	Alger et al.	D18/47
D. 235,922	7/1975	Alger et al.	D18/47
D. 252,272	7/1979	Barrett	D18/47
D. 263,227	3/1982	Alger	D18/47
3,958,798	5/1976	Bower et al.	270/52.5

Primary Examiner—Nelson C. Holtje
Assistant Examiner—Caron D. Veynar
Attorney, Agent, or Firm—Wood, Phillips, Van Santen,
Clark & Mortimer

[57] **CLAIM**

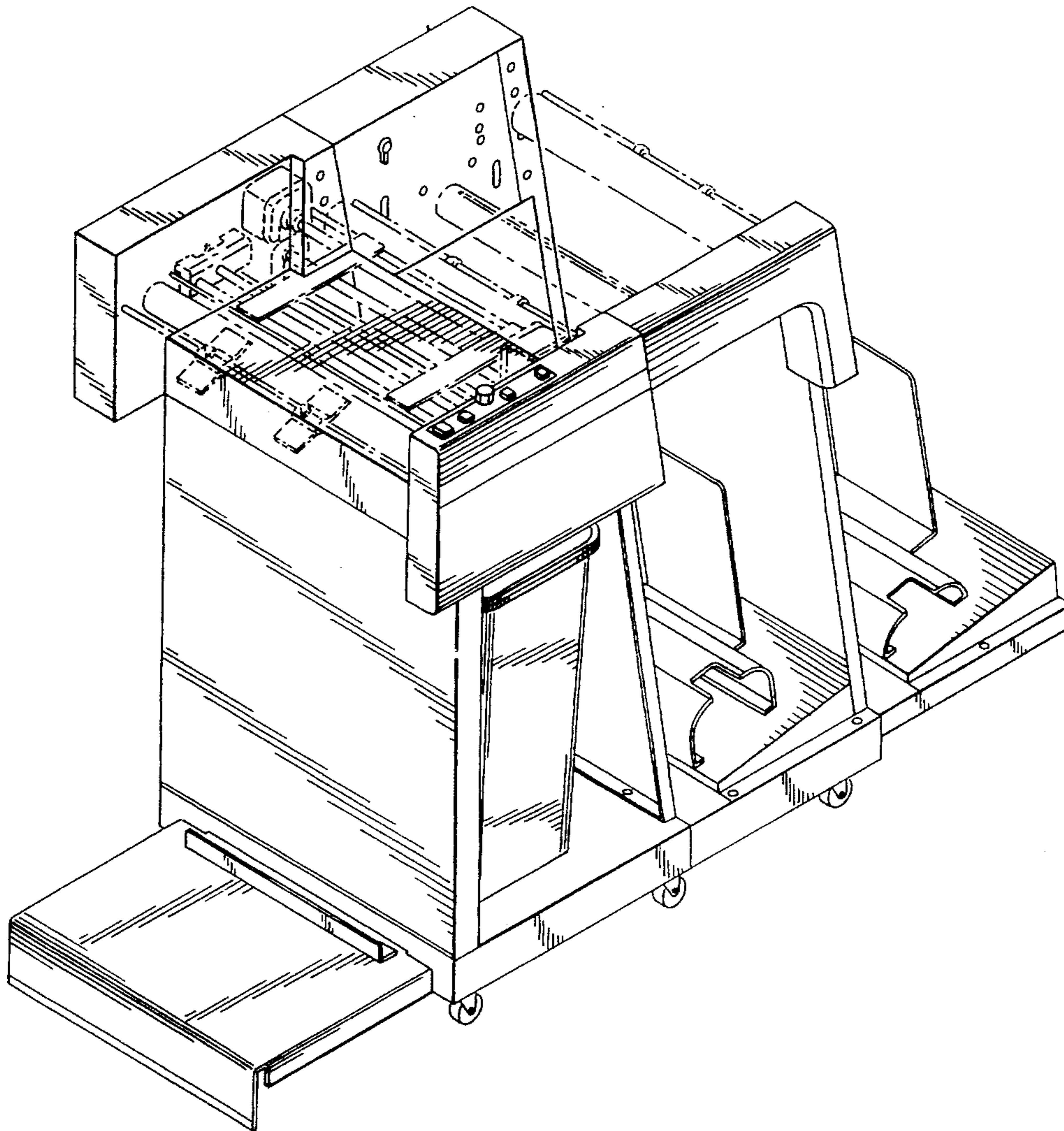
The ornamental design of a deleaver, as shown and described.

DESCRIPTION

FIG. 1 is a perspective view of a deleaver showing my ornamental design;
FIG. 2 is a right side elevation thereof;
FIG. 3 is a front elevation view thereof;
FIG. 4 is a rear elevation view of;
FIG. 5 is a top plan view thereof; and,
FIG. 6 is a left side elevation view thereof.

The bottom of the deleaver is plain and unornamented. The broken line showings of guides and rollers in FIGS. 1-6 are environmental only and form no part of the claimed design.

1 Claim, 5 Drawing Sheets



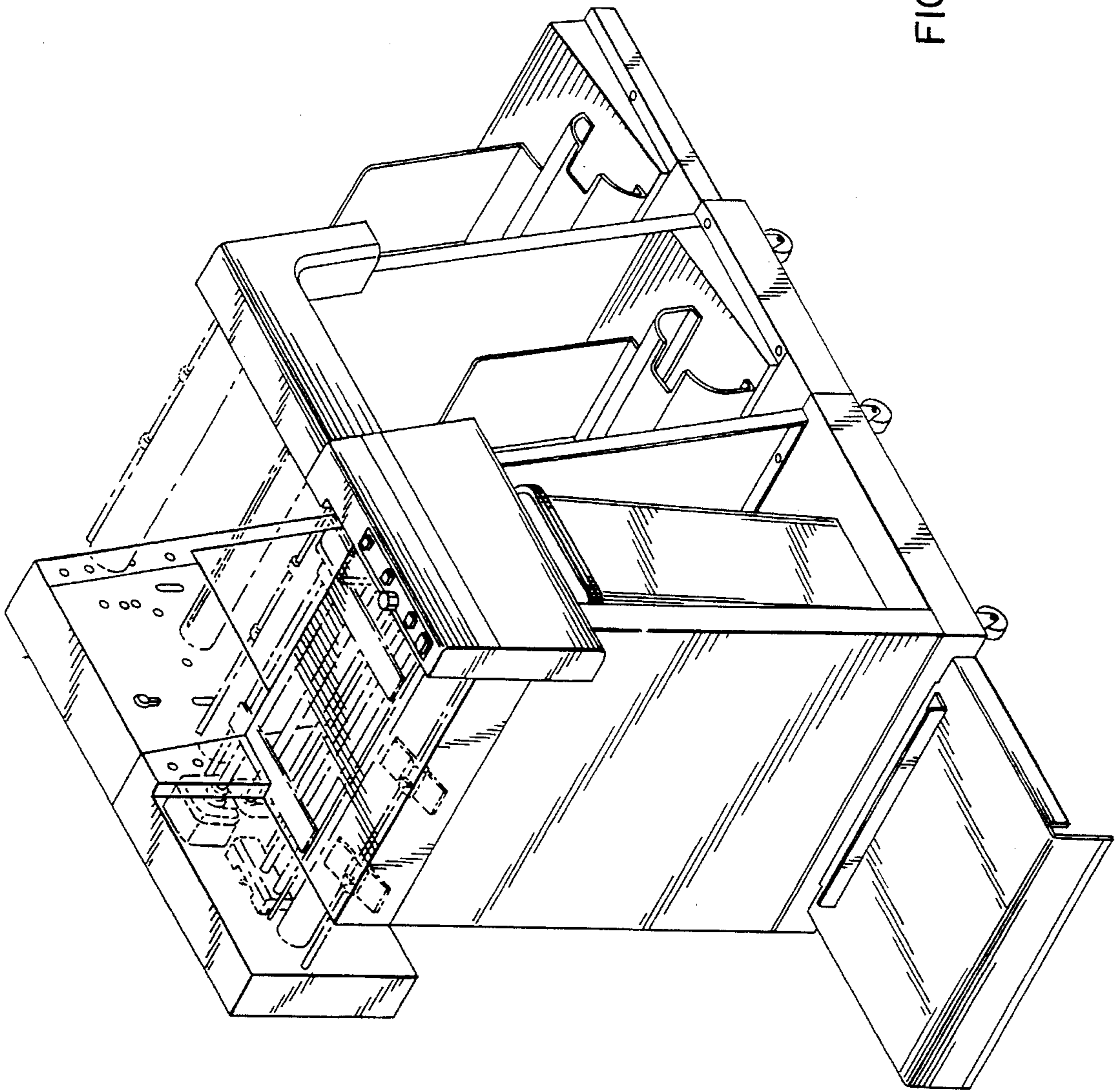
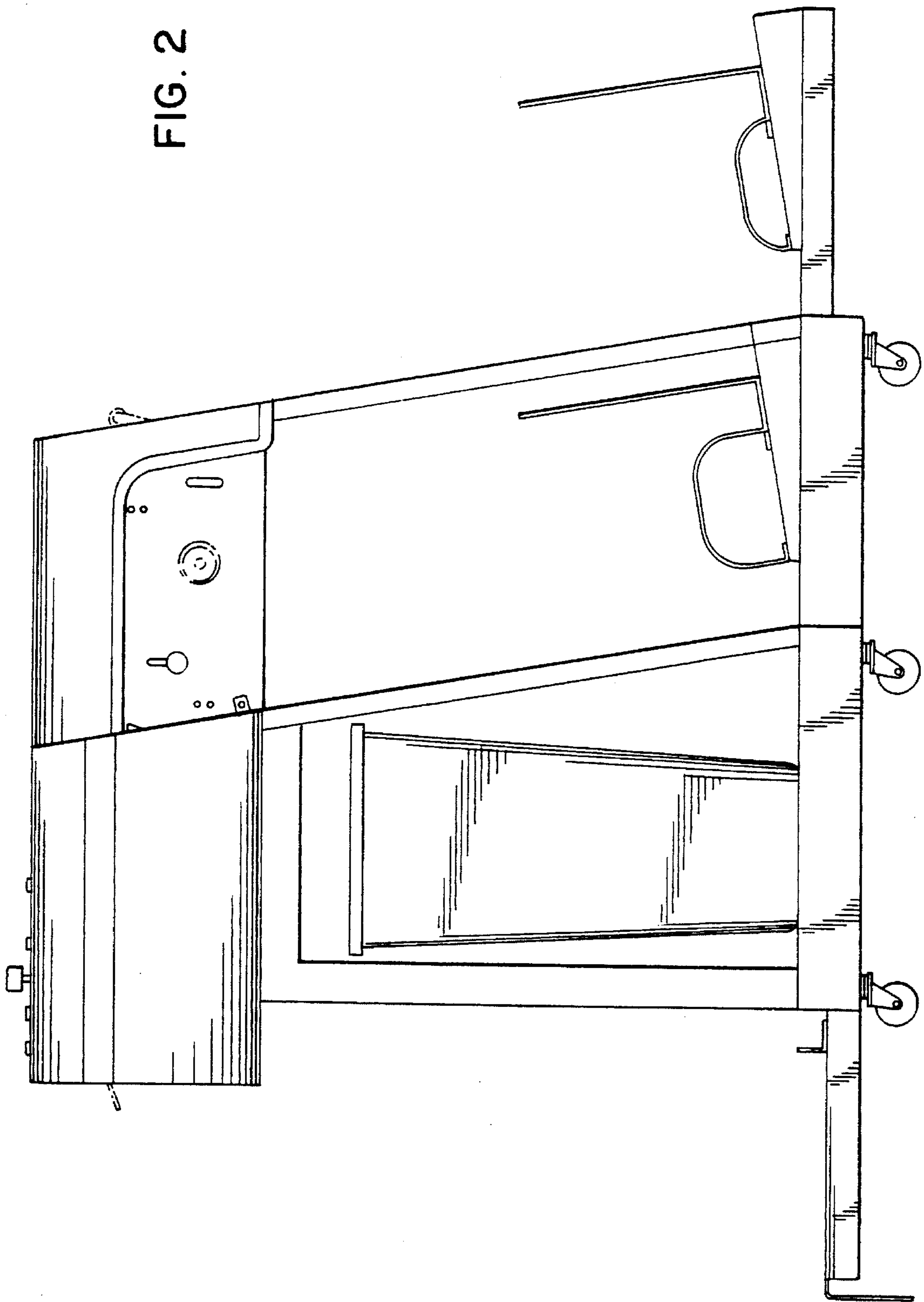


FIG. 1

FIG. 2



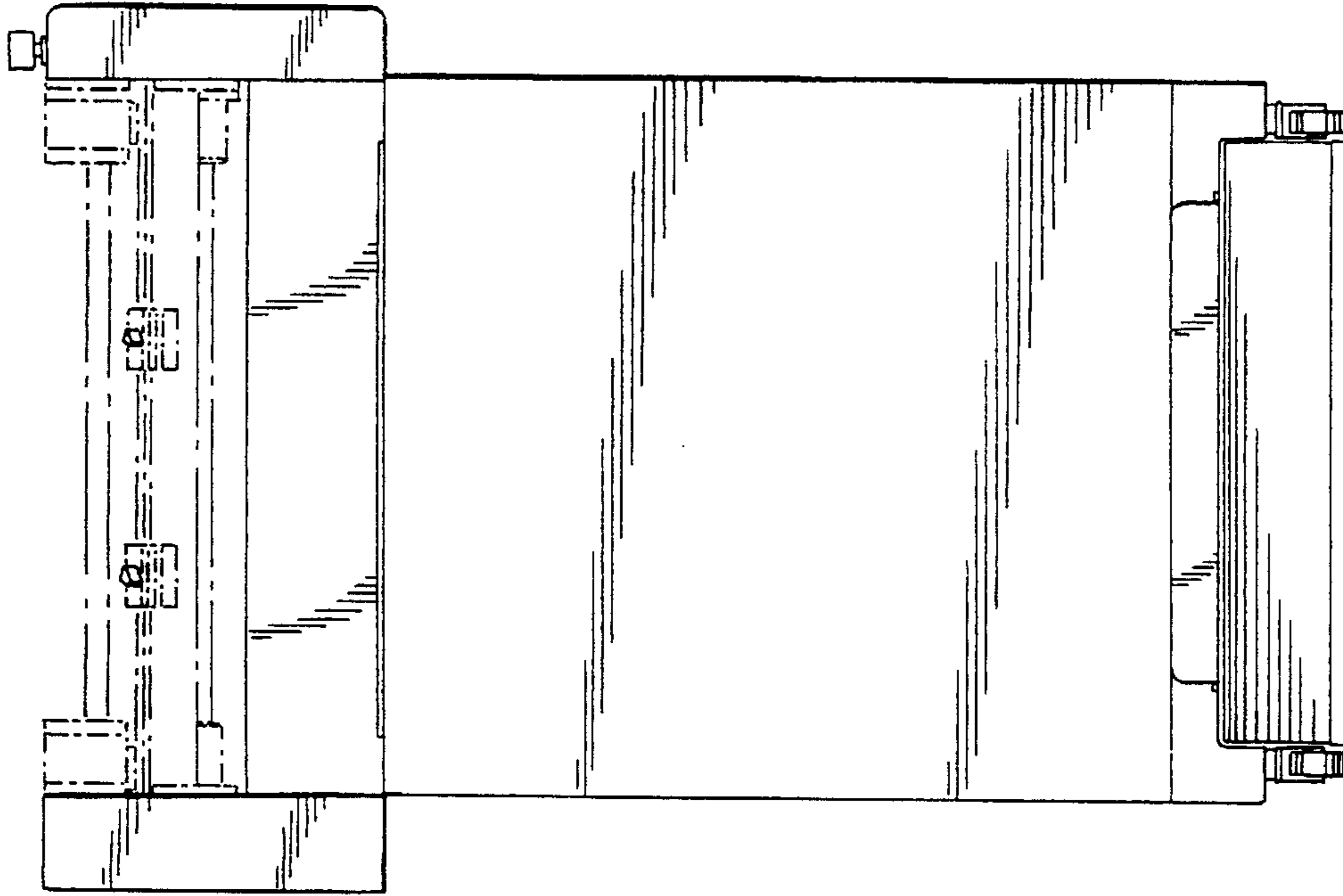


FIG. 3

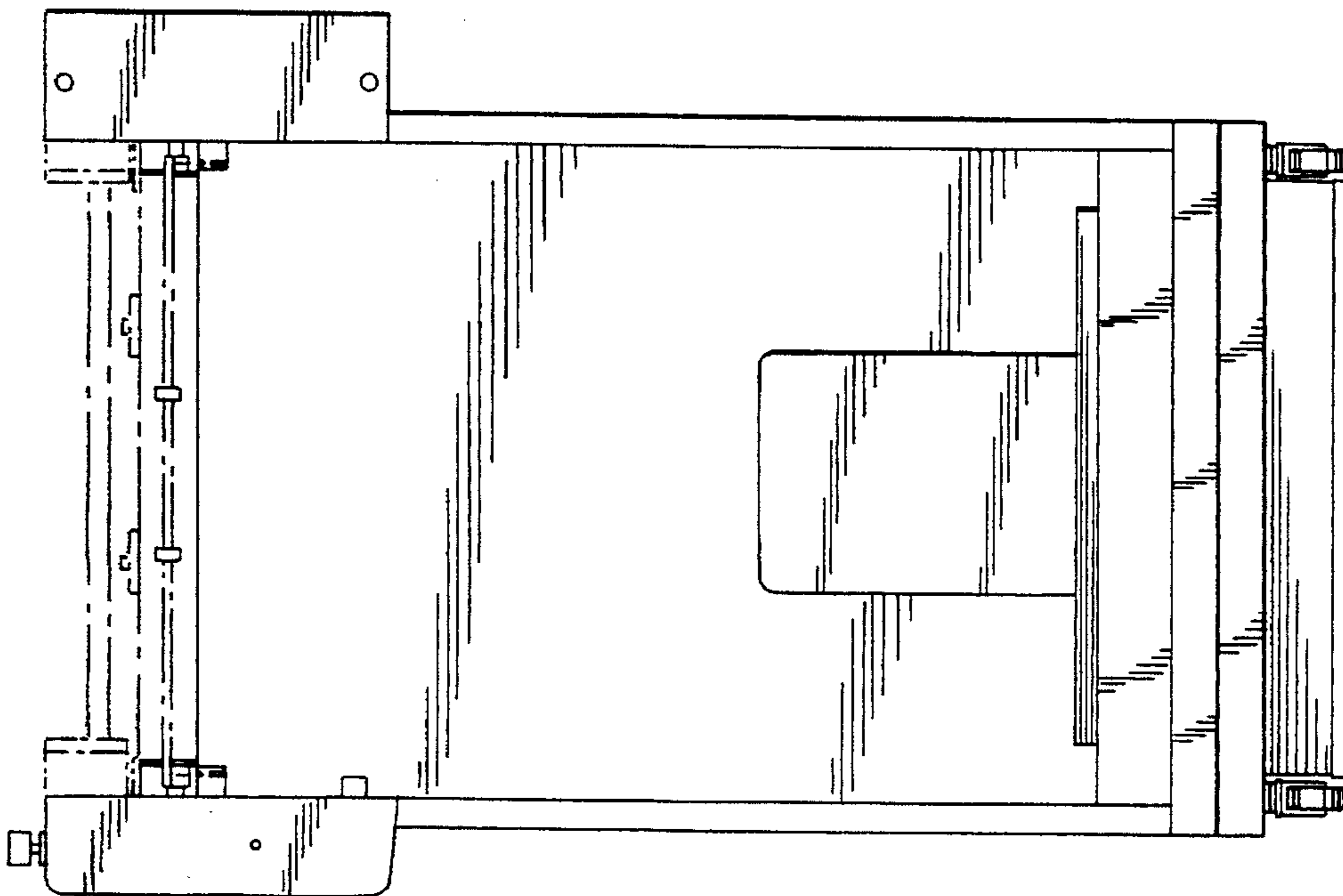


FIG. 4

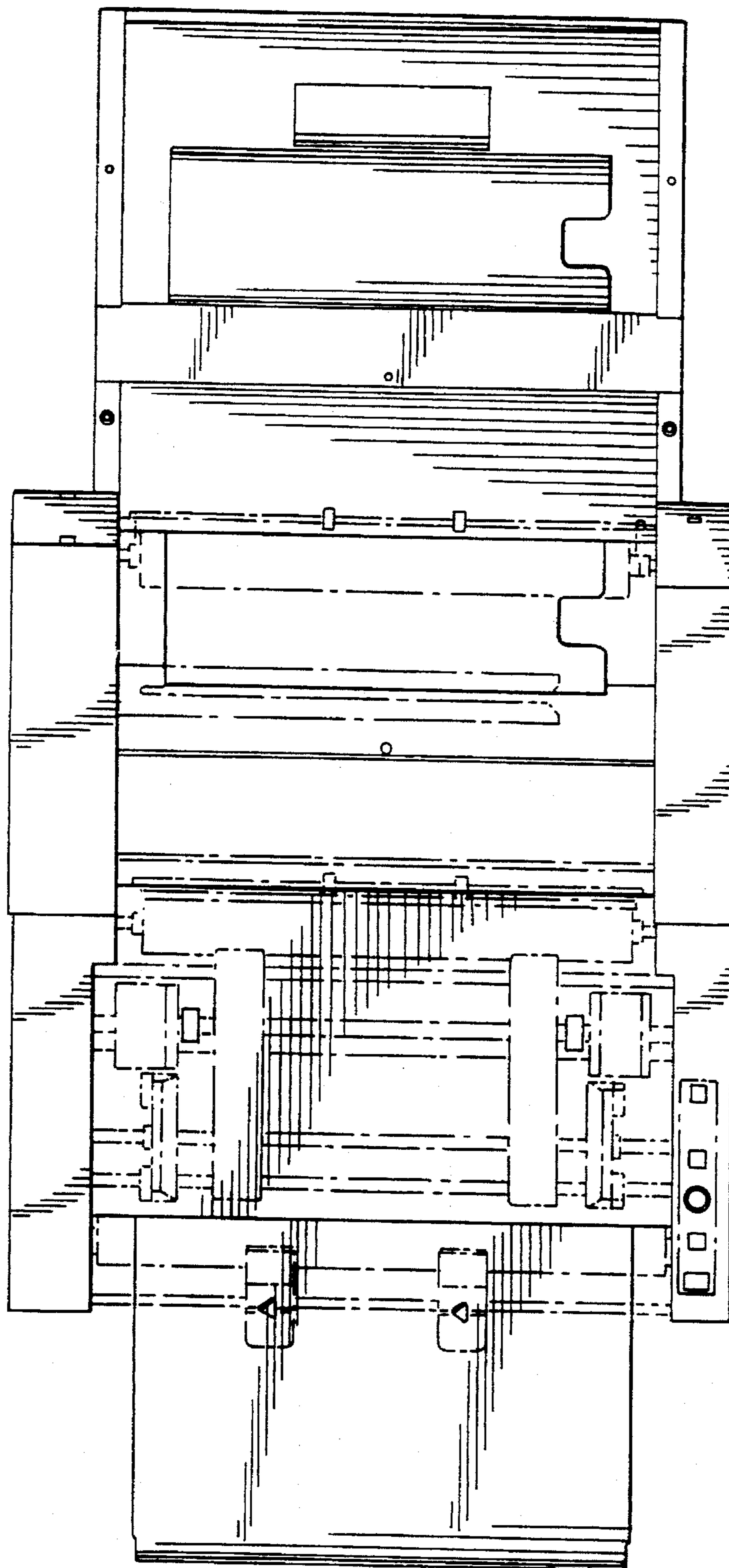


FIG. 5

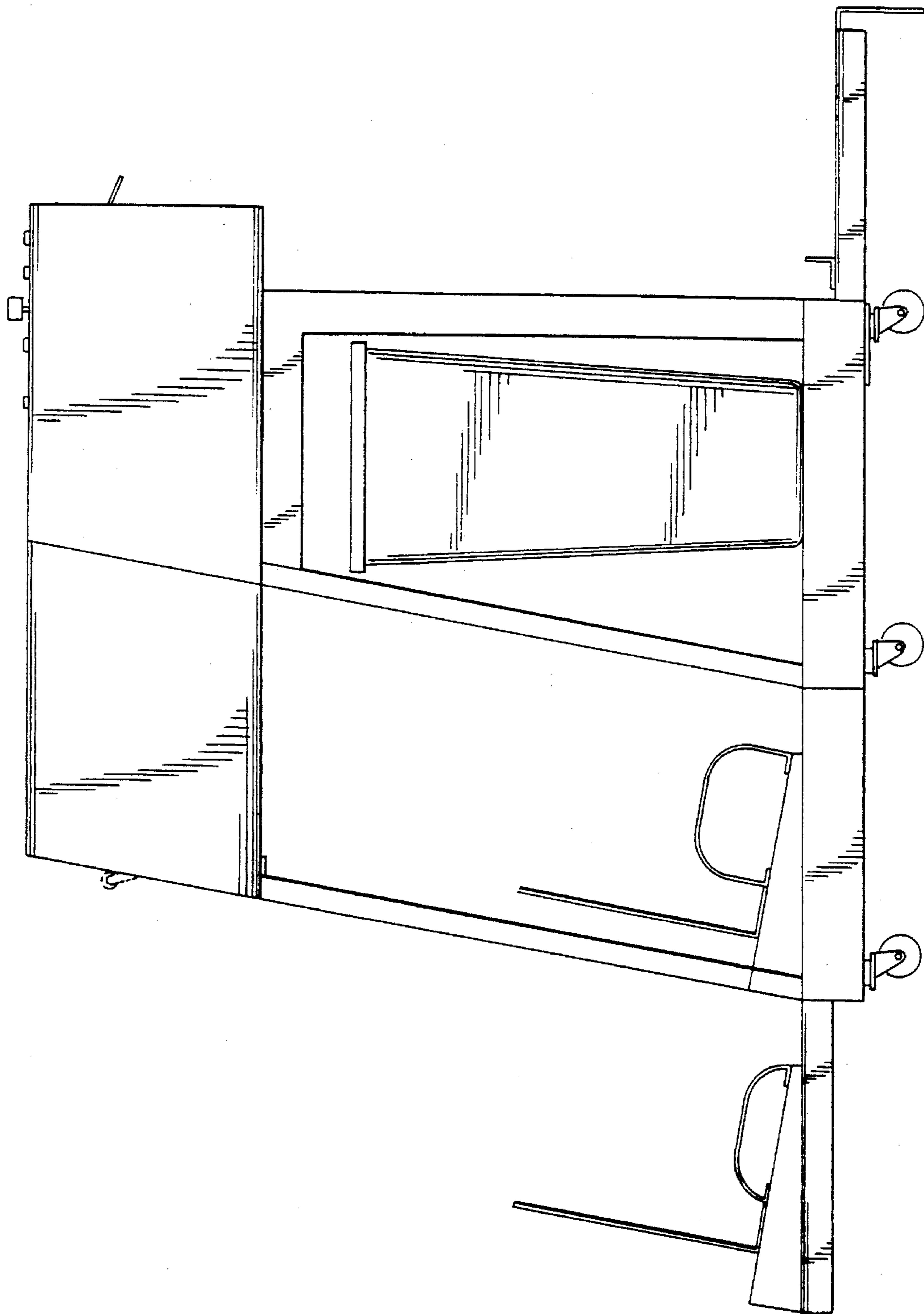


FIG. 6