



US00D374882S

United States Patent [19]
Wang

[11] **Patent Number: Des. 374,882**
[45] **Date of Patent: **Oct. 22, 1996**

[54] **COMBINED SUNGLASSES AND VISOR**

5,335,025 8/1994 Wang 351/58
5,390,369 2/1995 Tubin 2/432

[76] Inventor: **Wen-Te Wang**, No. 246-1, Kang-Kou,
Kang-Kou Tsun, An-Ting Hsiang,
Tainan Hsien, Taiwan

OTHER PUBLICATIONS

The Disney Catalog, Holiday 1989, p. 8 Cap, lower left of page.

[**] Term: **14 Years**

Primary Examiner—Terry A. Wallace

Assistant Examiner—R. Barkai

Attorney, Agent, or Firm—Morton J. Rosenberg; David I. Klein

[21] Appl. No.: **36,181**

[22] Filed: **Mar. 14, 1995**

[52] U.S. Cl. **D16/310**

[58] **Field of Search** D16/100, 101,
D16/300, 304, 311–315, 317, 318, 326–329,
339, 340; 2/428, 430, 432, 436, 444, 448,
449; 351/44, 47, 48, 51, 52, 57–58, 61,
66, 111, 123, 157–158, 171

[57] **CLAIM**

The ornamental design for a combined sunglasses and visor, as shown and described.

DESCRIPTION

FIG. 1 is a perspective view of a combined sunglasses and visor showing our new design;

FIG. 2 is a front elevational view thereof;

FIG. 3 is a rear elevational view thereof;

FIG. 4 is a left side elevational view thereof;

FIG. 5 is a right side elevational view thereof;

FIG. 6 is a top plan view thereof; and,

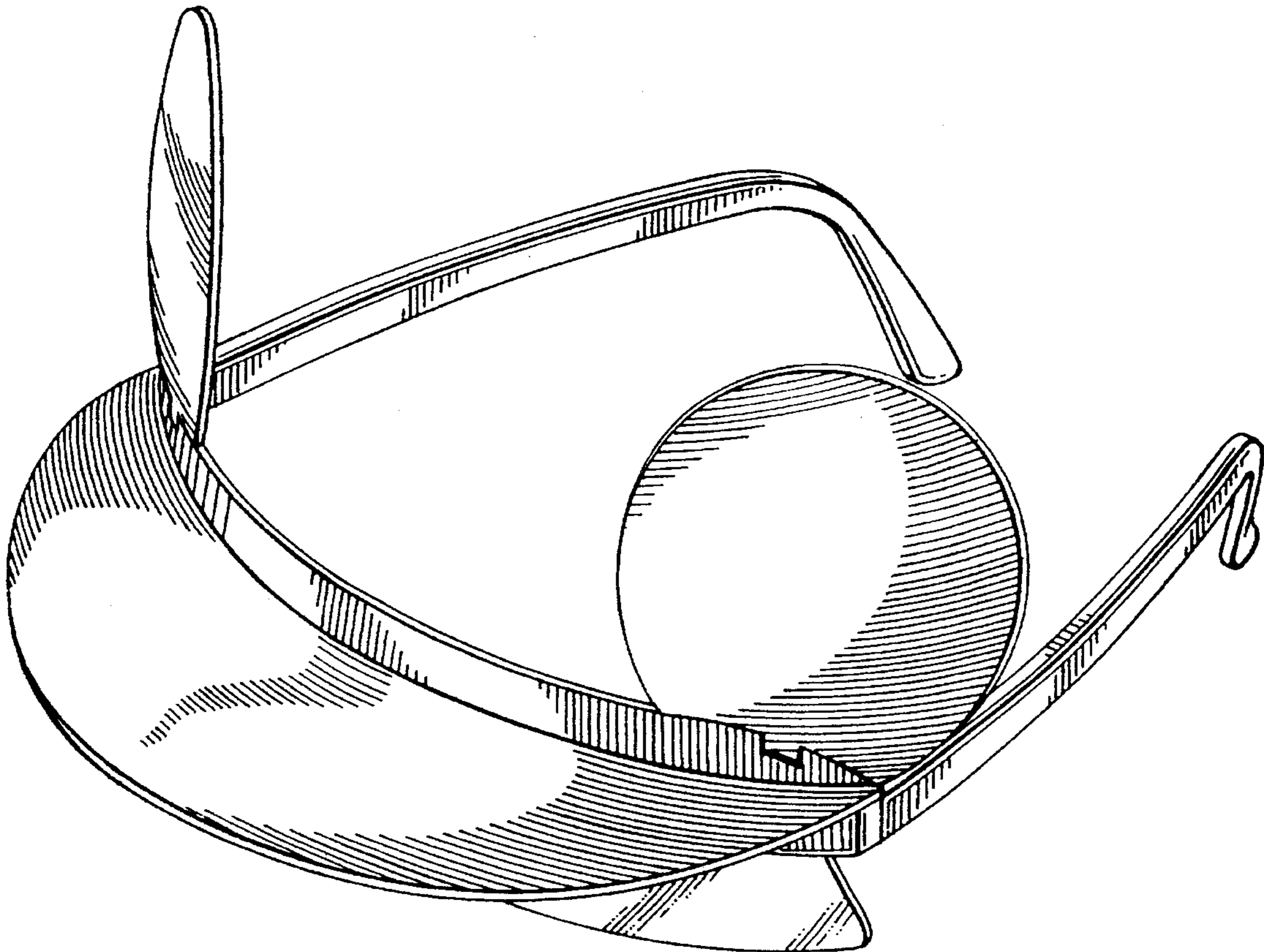
FIG. 7 is a bottom plan view thereof.

[56] **References Cited**

U.S. PATENT DOCUMENTS

D. 210,424	3/1968	Mitchell	D16/310
D. 293,450	12/1987	Jannard	D16/314
D. 299,767	2/1989	Hsin	D16/312
D. 322,081	12/1991	Longsdorf	D16/314
D. 327,284	6/1992	Simioni	D16/314
D. 364,885	12/1995	Chang	D16/304
5,307,094	4/1994	Gonzalez	351/158

1 Claim, 5 Drawing Sheets



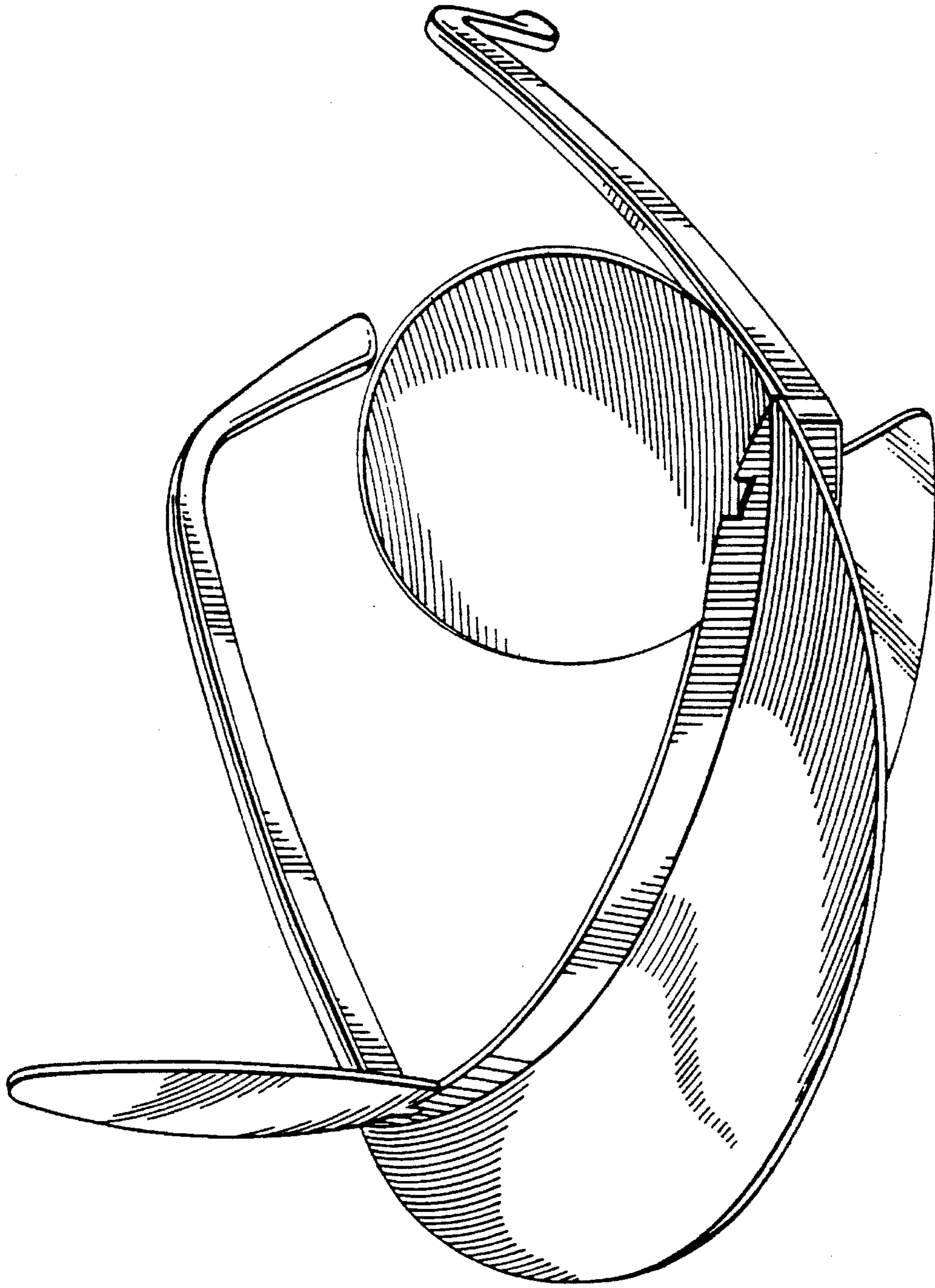


FIG. 1

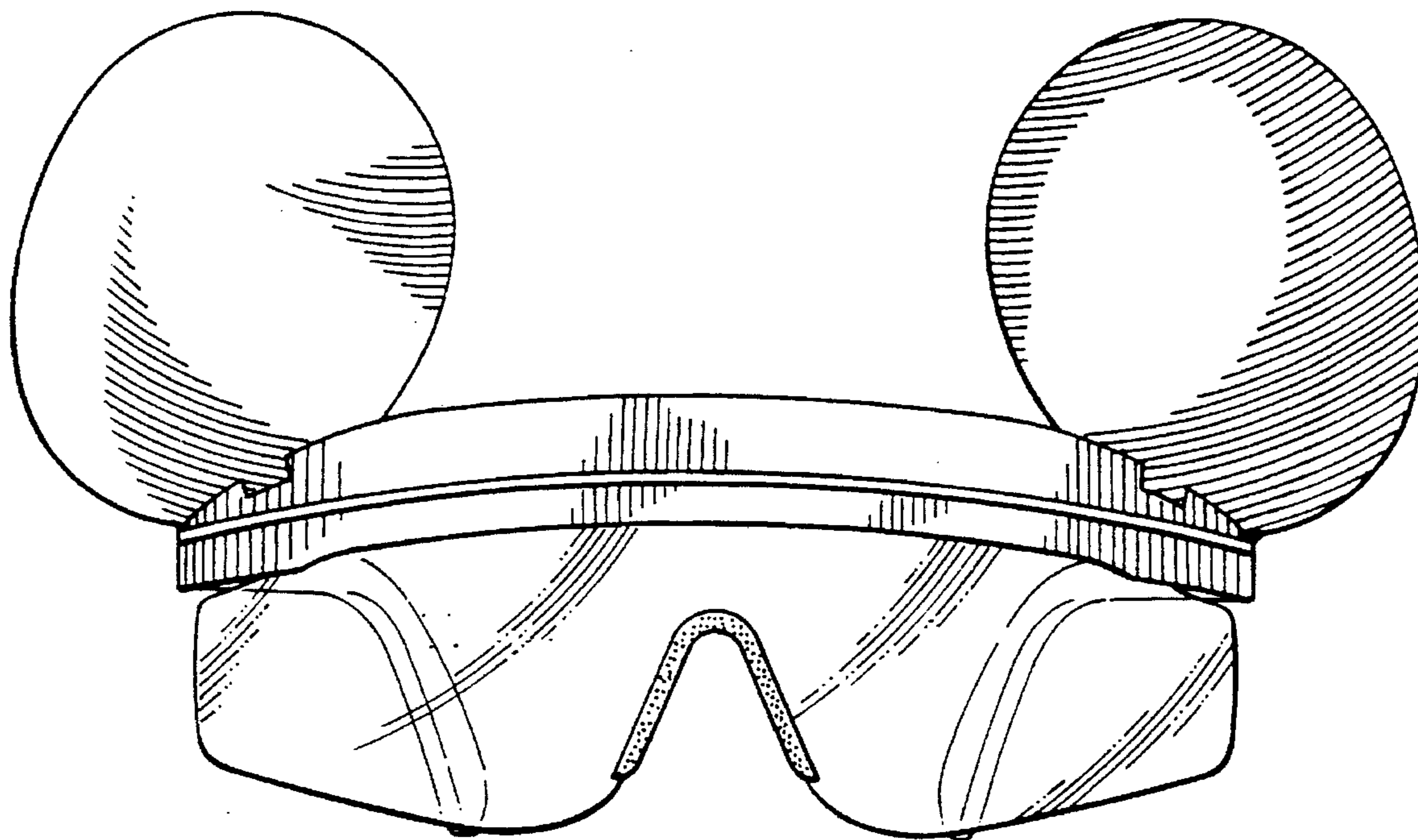


FIG. 2

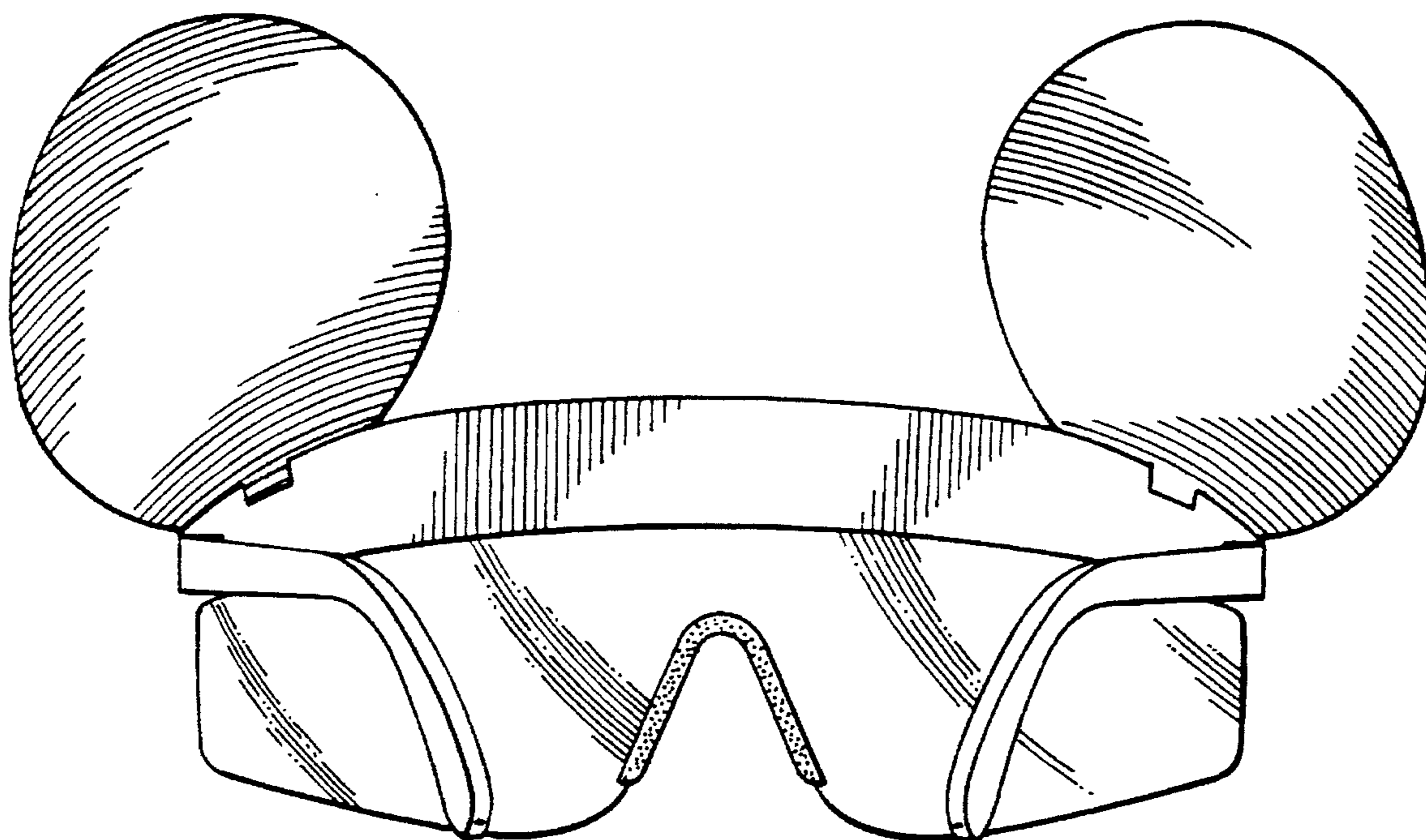


FIG. 3

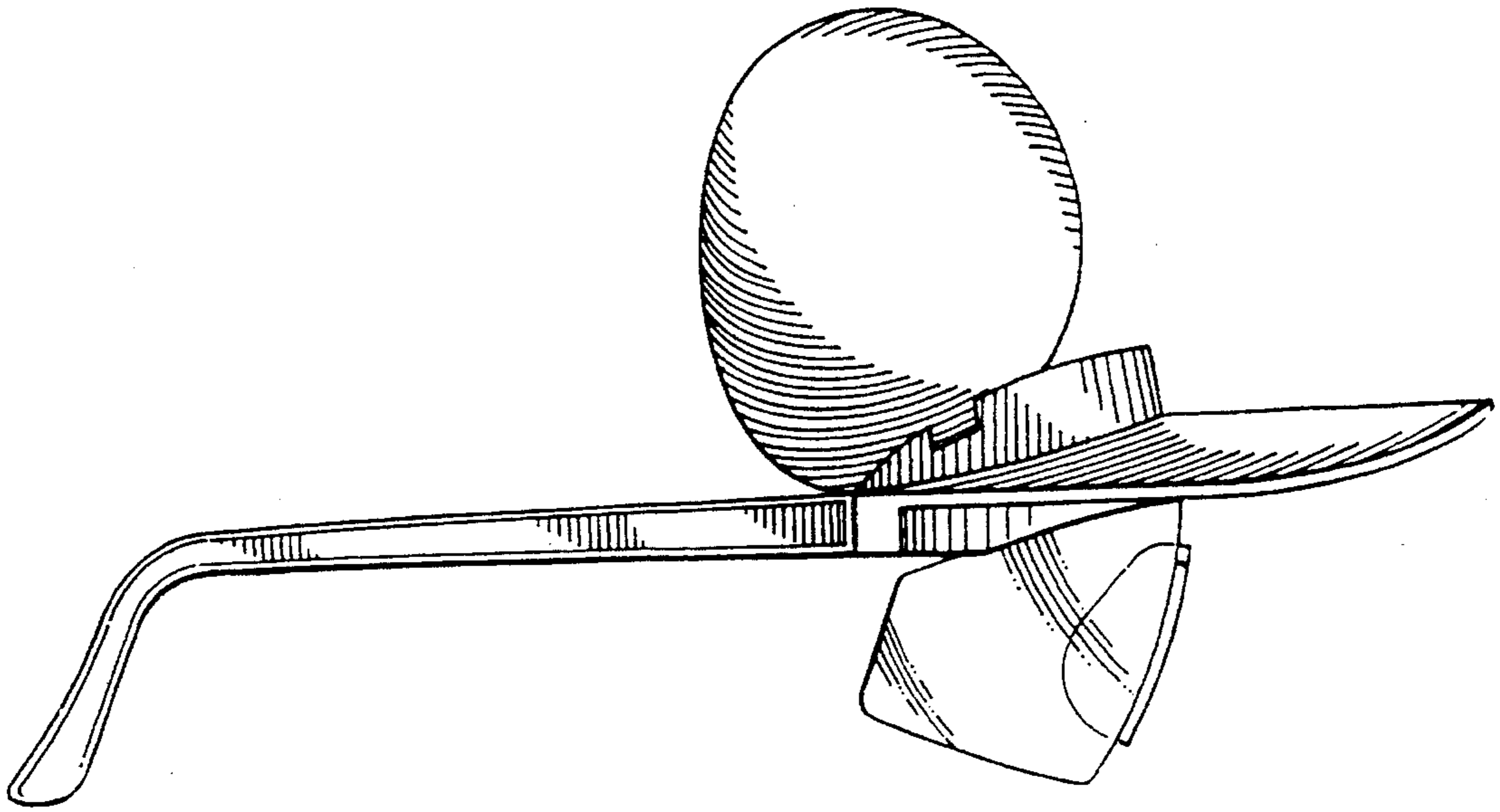


FIG. 4

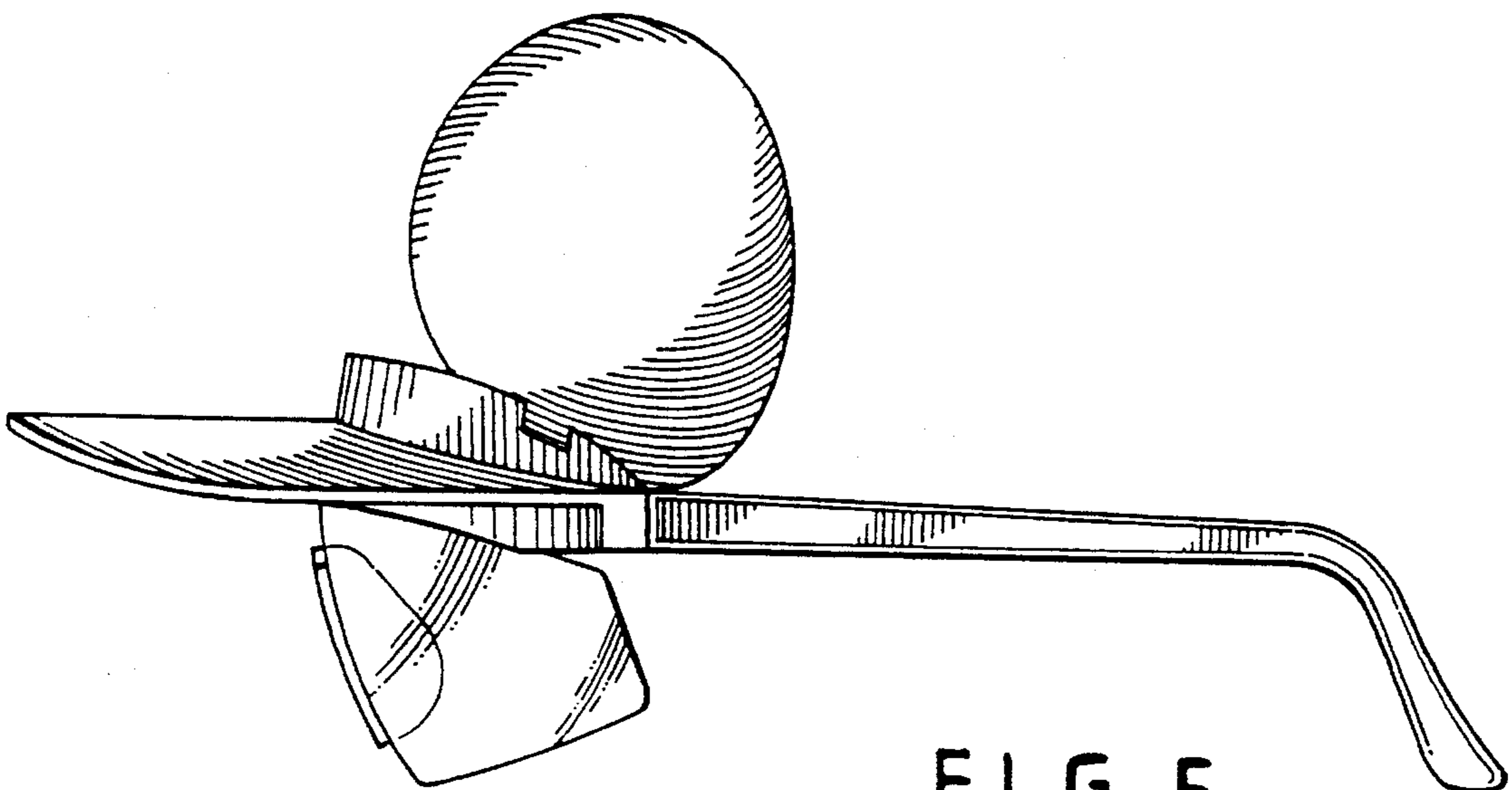


FIG. 5

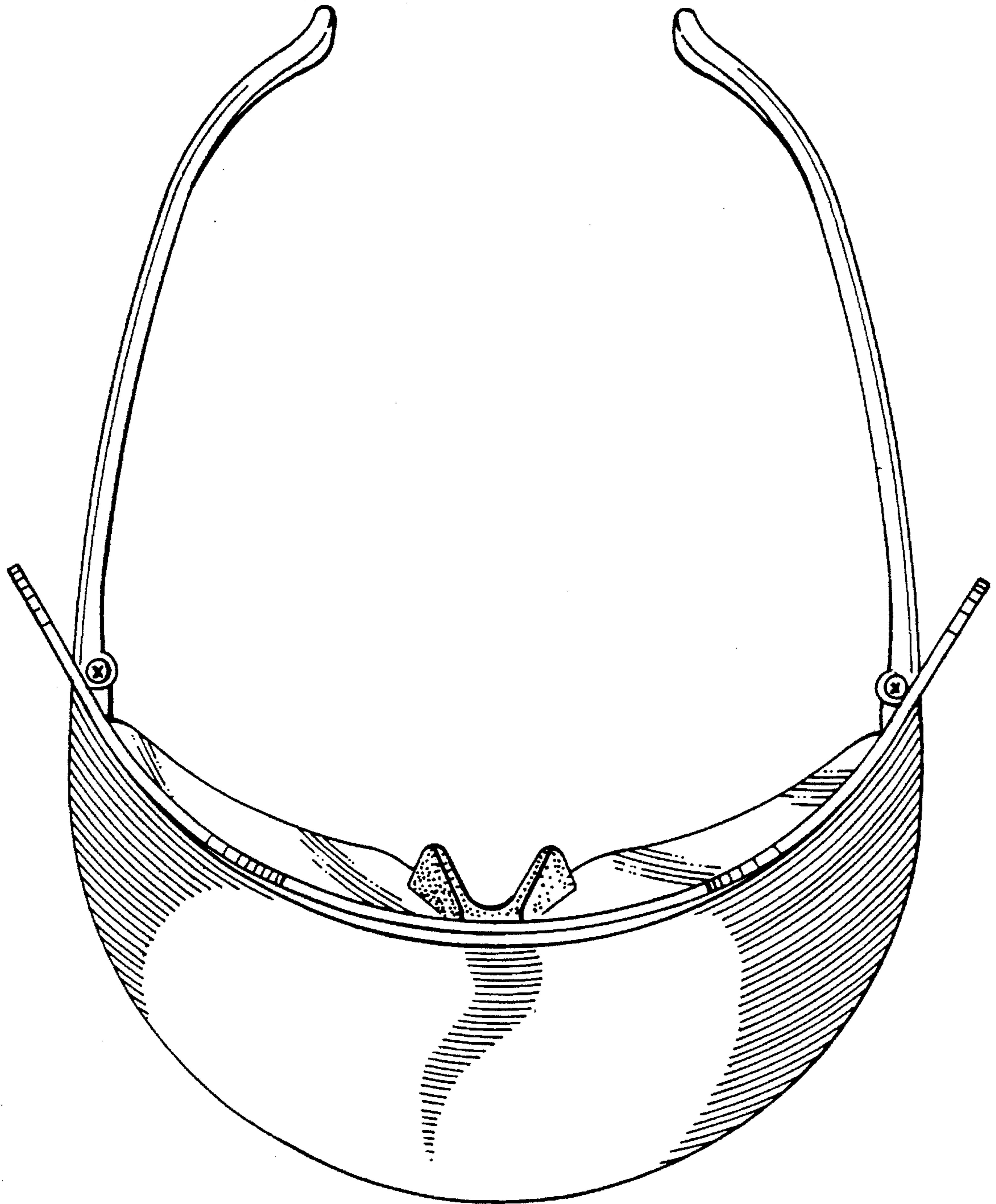


FIG. 6

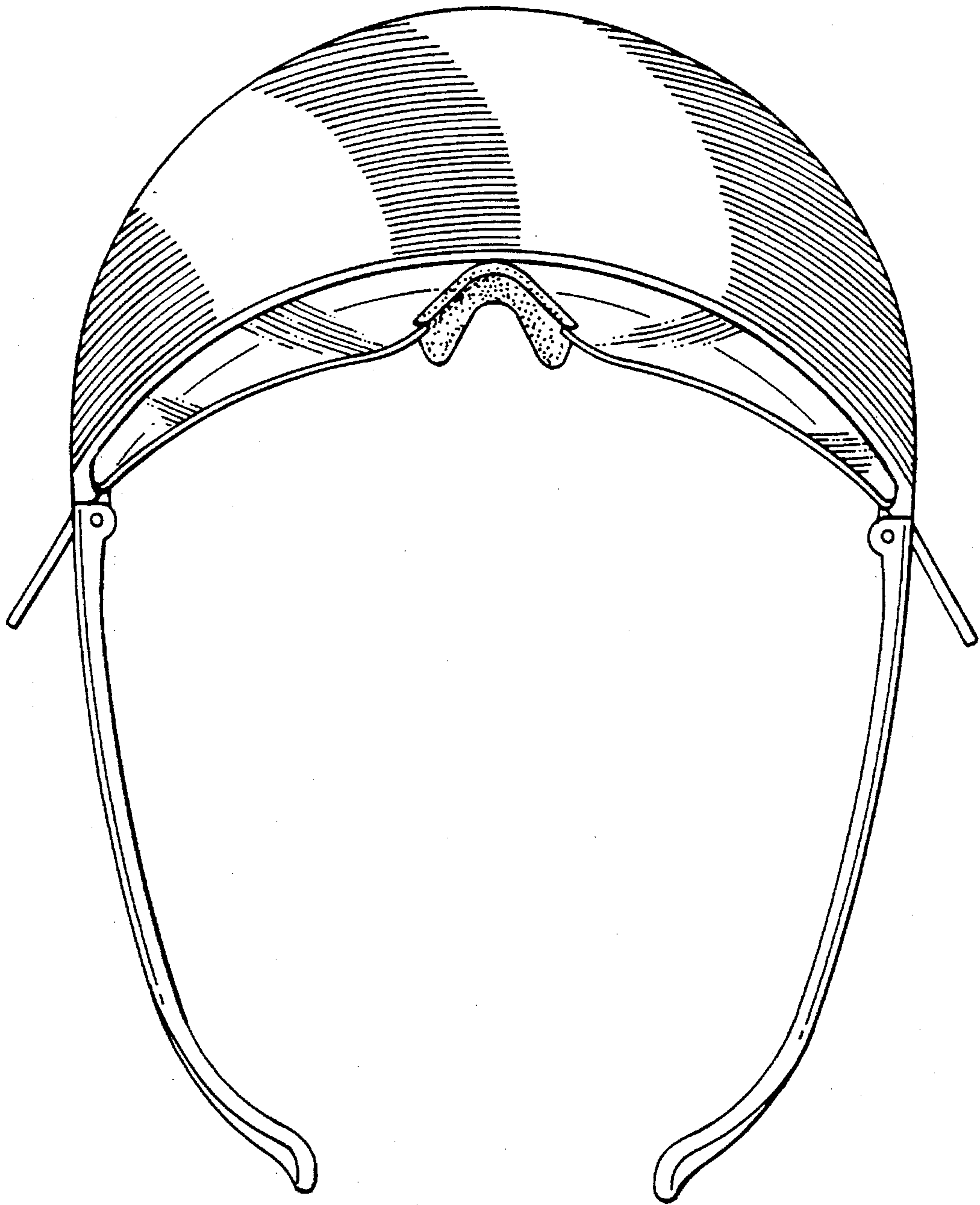


FIG. 7

UNITED STATES PATENT AND TRADEMARK OFFICE
CERTIFICATE OF CORRECTION

PATENT NO. : Des. 374,882
APPLICATION NO. : 29/036181
DATED : October 22, 1996
INVENTOR(S) : Wen-Te Wang

Page 1 of 1

It is certified that error appears in the above-identified patent and that said Letters Patent is hereby corrected as shown below:

On the title page add at the end of the "Description" the following notice:

IMPORTANT NOTICE TO THE PUBLIC

The subject matter depicted in this patent incorporates:

1. A trademark of The Walt Disney Company. Unauthorized sale or offer for sale of products incorporating such trademark may constitute trademark infringement, both prior or subsequent to the expiration of this patent, and may subject infringers to legal action; and/or
2. Copyrighted subject matter owned by The Walt Disney Company. Unauthorized copying of the copyrighted material, or manufacture or sale of products incorporating same may constitute copyright infringement, both prior or subsequent to the expiration of this patent, and may subject infringers to legal action.

Signed and Sealed this

Eighteenth Day of September, 2007

A handwritten signature in black ink on a dotted background. The signature reads "Jon W. Dudas" in a cursive style.

JON W. DUDAS

Director of the United States Patent and Trademark Office