



US00D374881S

United States Patent [19]

Chapman et al.

[11] Patent Number: Des. 374,881

[45] Date of Patent: **Oct. 22, 1996

[54] FLASH CAMERA WITH COVER LABEL

[75] Inventors: Steven S. Chapman, Corfu; Daniel C. Jackson; John K. McBride, both of Rochester; James G. Rydelek, Henrietta; Joseph E. Yokajty, Rochester, all of N.Y.

[73] Assignee: Eastman Kodak Company, Rochester, N.Y.

[**] Term: 14 Years

[21] Appl. No.: 46,798

[22] Filed: Oct. 17, 1995

Related U.S. Application Data

[63] Continuation of Ser. No. 27,928, Sep. 1, 1994, abandoned.

[52] U.S. Cl. D16/218; D16/218

[58] Field of Search D16/200-205, D16/208, 209, 216-218; 354/64, 75, 126, 202, 152, 288

[56] References Cited

U.S. PATENT DOCUMENTS

D. 291,579	8/1987	Ito et al.	D16/218
D. 320,610	10/1991	Chan	D16/209
D. 323,523	1/1992	Tanaka et al.	D16/209
D. 329,864	9/1992	Kawagoe	D16/218
D. 340,734	10/1993	Ito	D16/209
D. 345,987	4/1994	Nihei	D16/209
D. 345,988	4/1994	Nojima et al.	D16/209
D. 346,176	4/1994	Nihei	D16/209
D. 353,606	12/1994	Horikiri et al.	D16/208

2,933,027	4/1960	Hollingworth et al.	95/31
3,731,586	5/1973	Meazza	88/1.5 R
4,556,304	12/1985	Fukuda	354/288
4,812,863	3/1989	Ohmura et al.	354/219
4,812,866	3/1989	Ushiro et al.	354/288
4,855,774	12/1987	Ohmura et al.	354/203
4,884,087	11/1989	Mochida et al.	354/75
4,890,130	12/1989	Takei et al.	354/288
5,021,811	6/1991	Maurinus et al.	354/76
5,255,041	10/1993	Lyon et al.	354/288
5,329,330	7/1994	Sakai et al.	354/288
5,353,165	10/1994	VanDeMoere et al.	359/819

OTHER PUBLICATIONS

Evans Catalog, 1988-1989 p. 305y (Vivitar PS-120).

Primary Examiner—Terry A. Wallace

Assistant Examiner—Adir Aronovich

Attorney, Agent, or Firm—Roger A. Fields

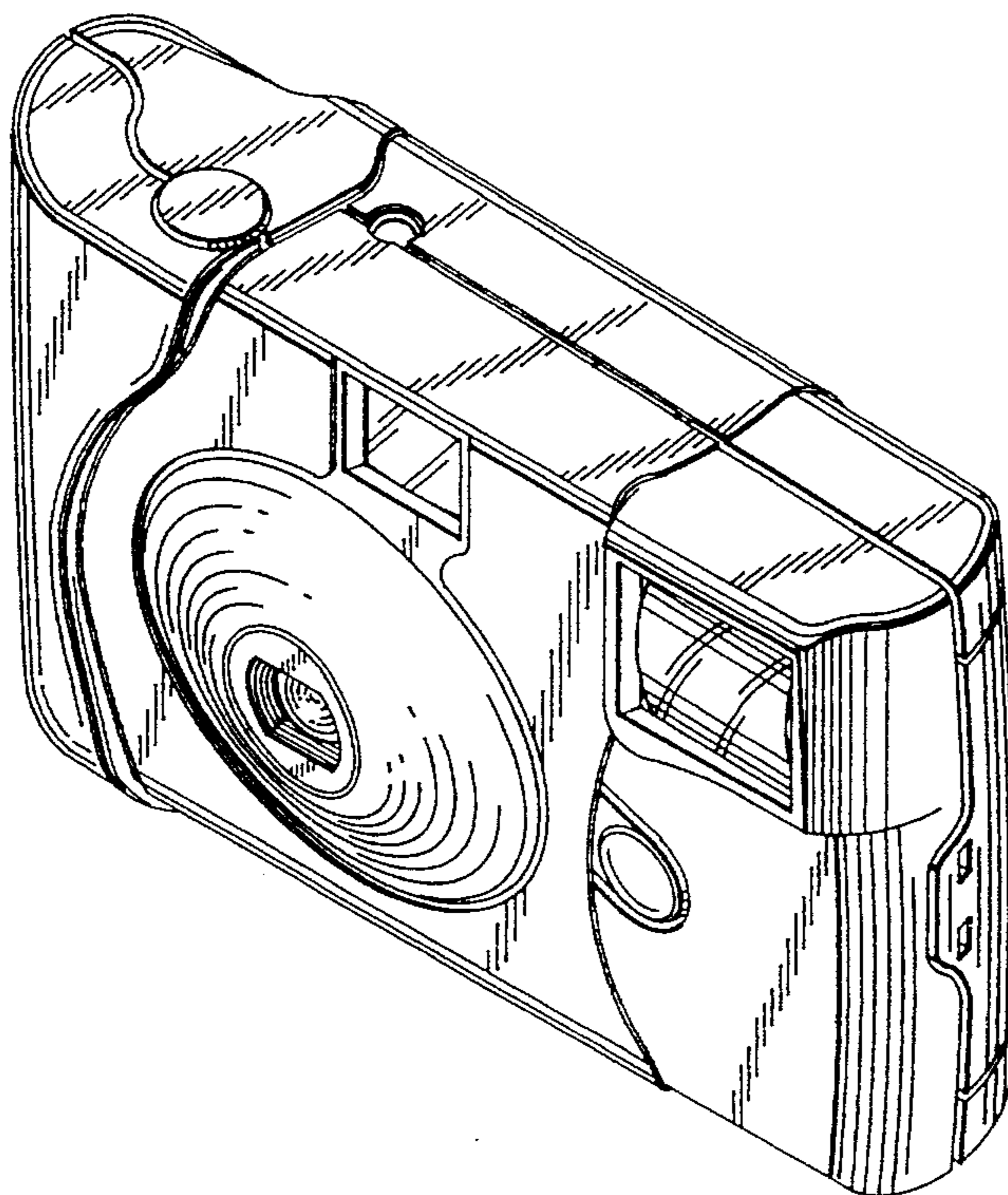
[57] CLAIM

The ornamental design for a flash camera with cover label, as shown.

DESCRIPTION

FIG. 1 is a front, top, right- side perspective view of a flash camera with a cover label, showing our new design; FIG. 2 is a rear, bottom, left-side perspective view thereof; FIG. 3 is a front elevation view thereof; FIG. 4 is a rear elevation view thereof; FIG. 5 is a left-side elevation view thereof; FIG. 6 is a right-side elevation view thereof; FIG. 7 is a top plan view thereof; and, FIG. 8 is a bottom plan view thereof.

1 Claim, 8 Drawing Sheets



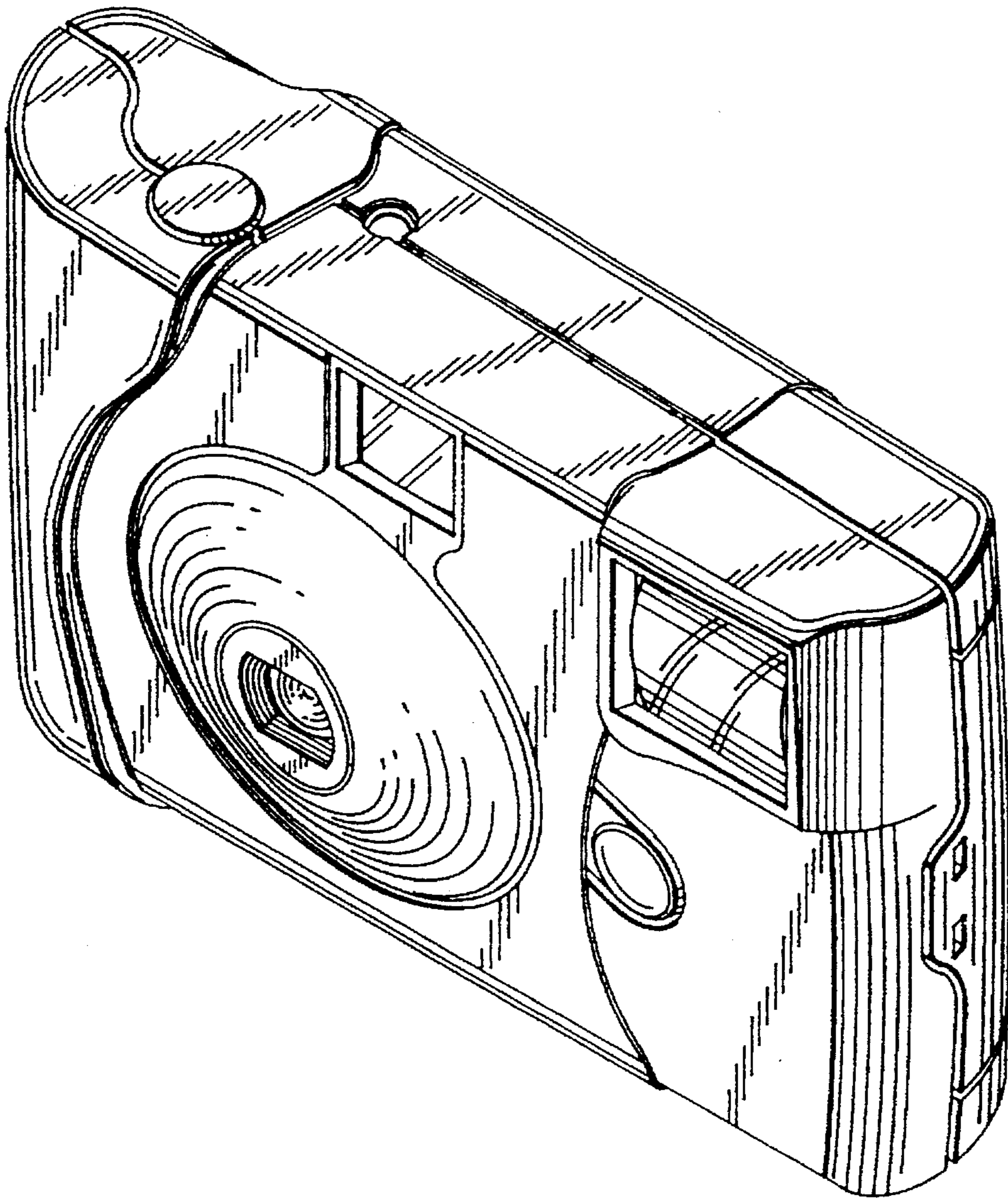


FIG. 1

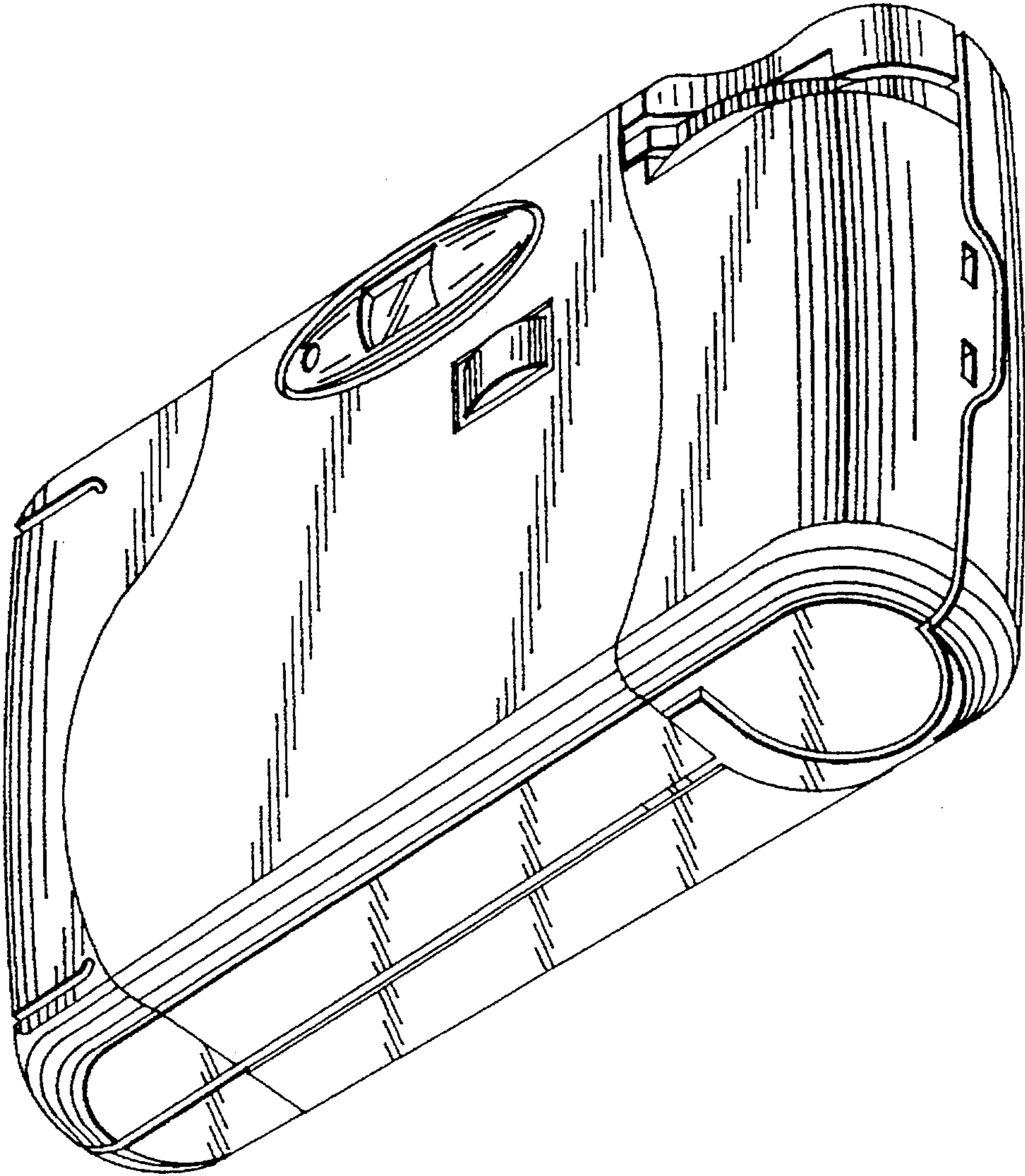


FIG. 2

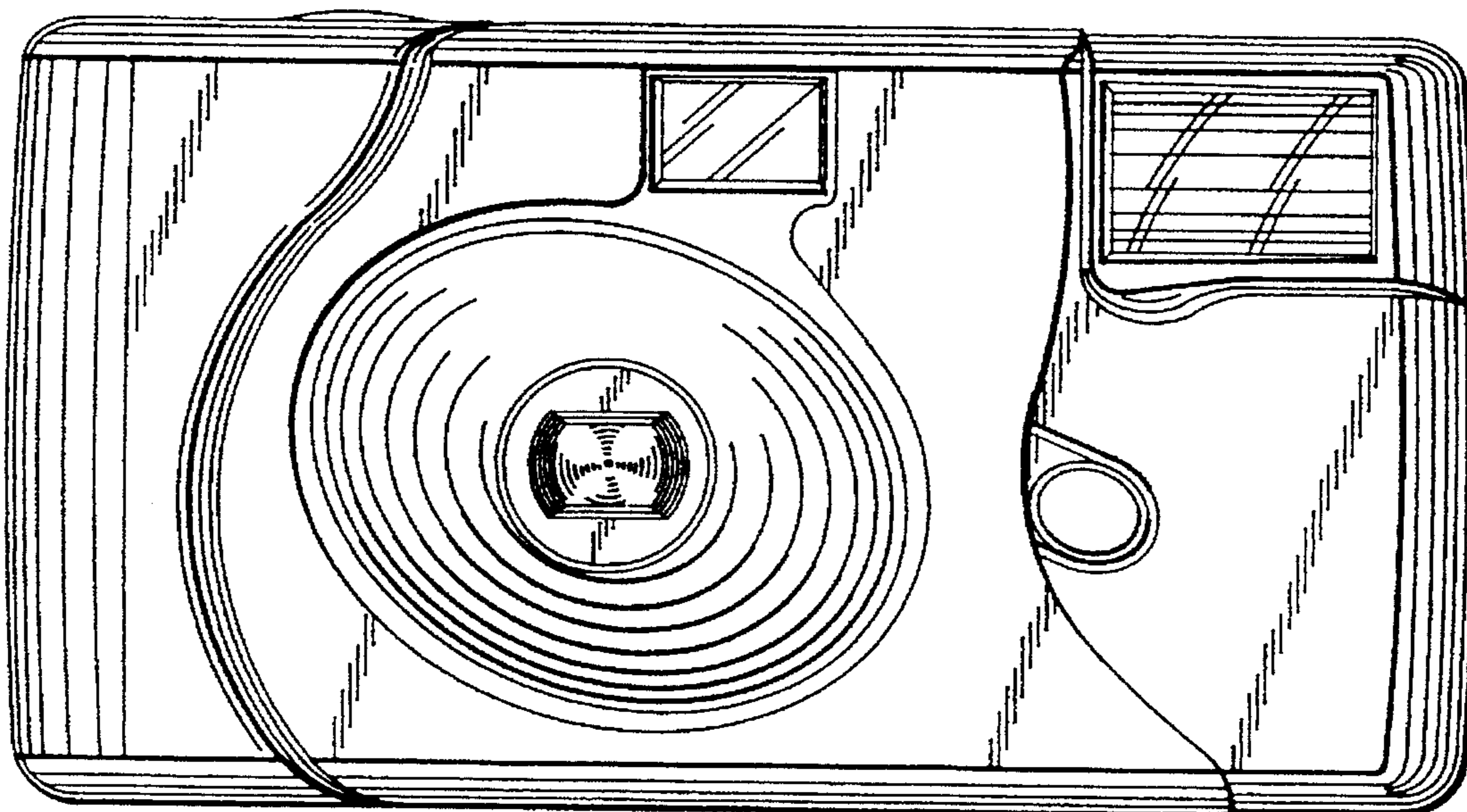


FIG. 3

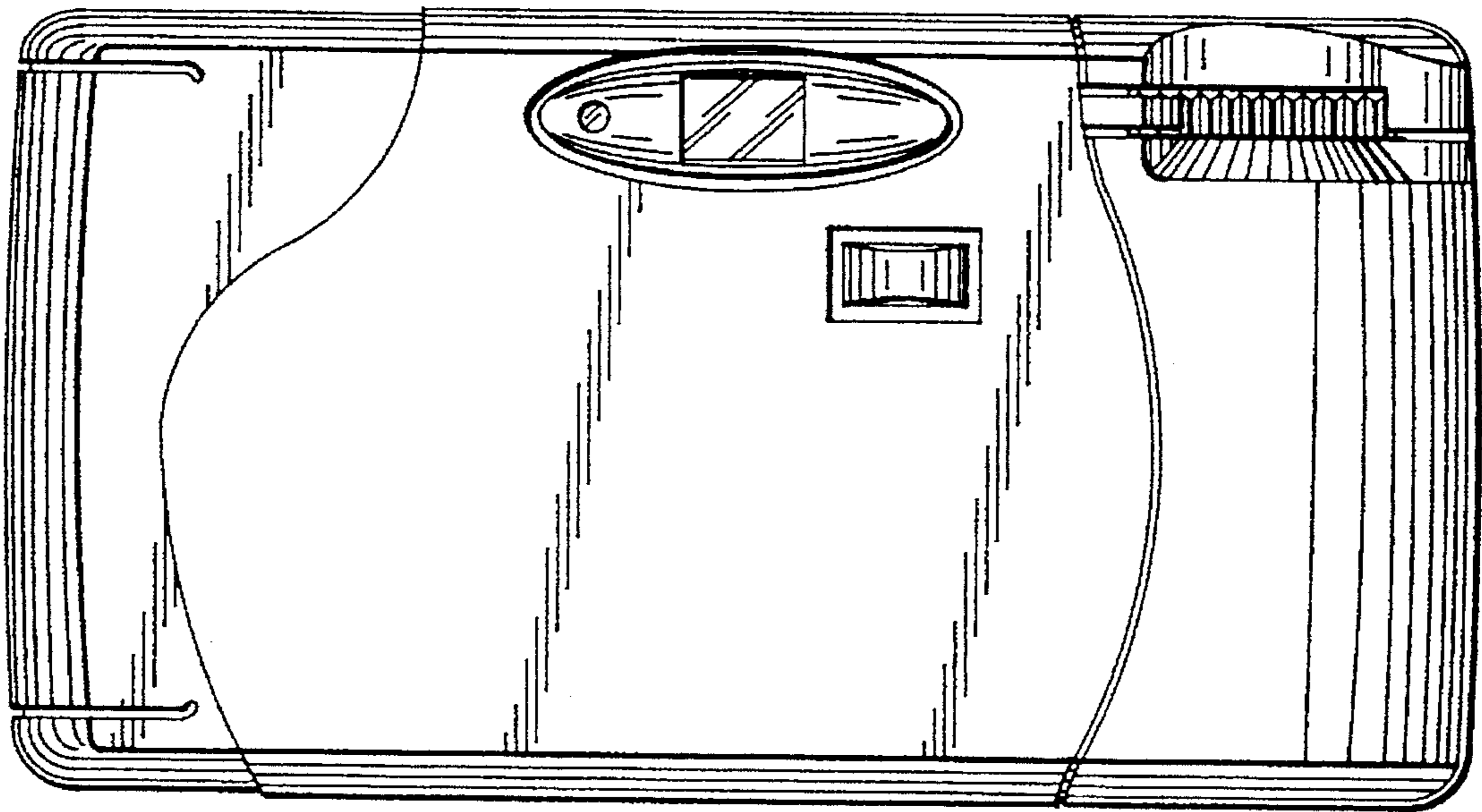


FIG. 4

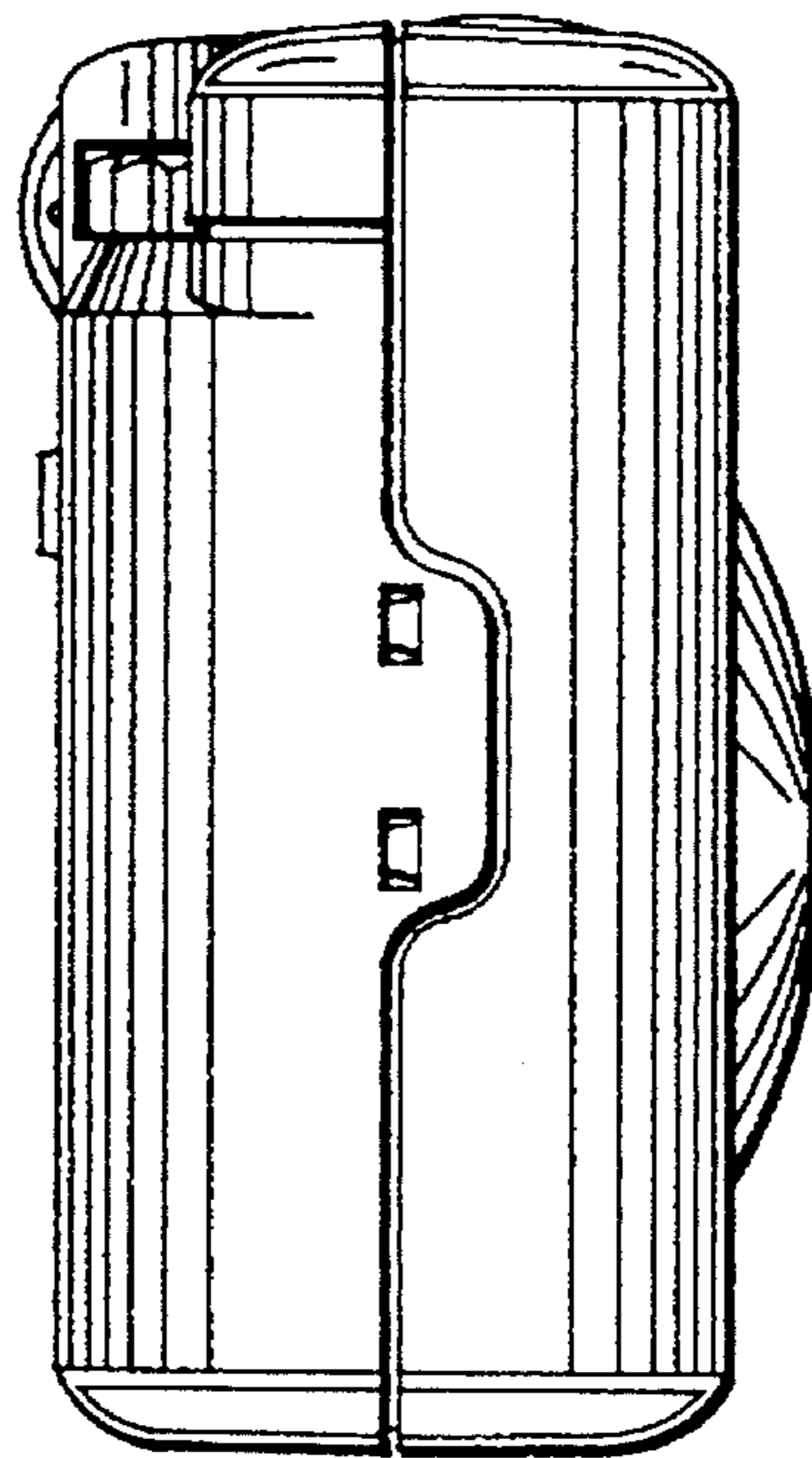


FIG. 5

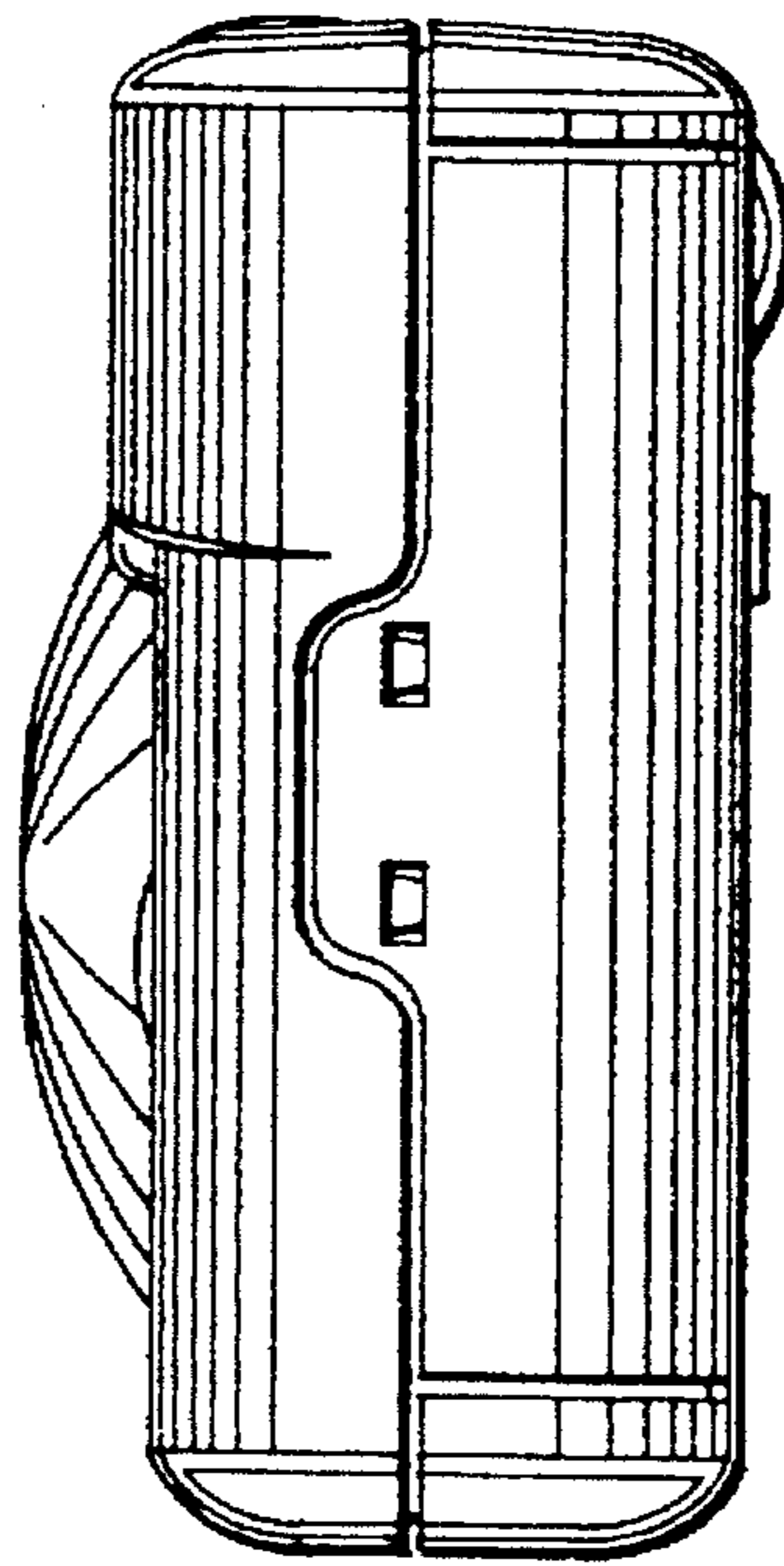


FIG. 6

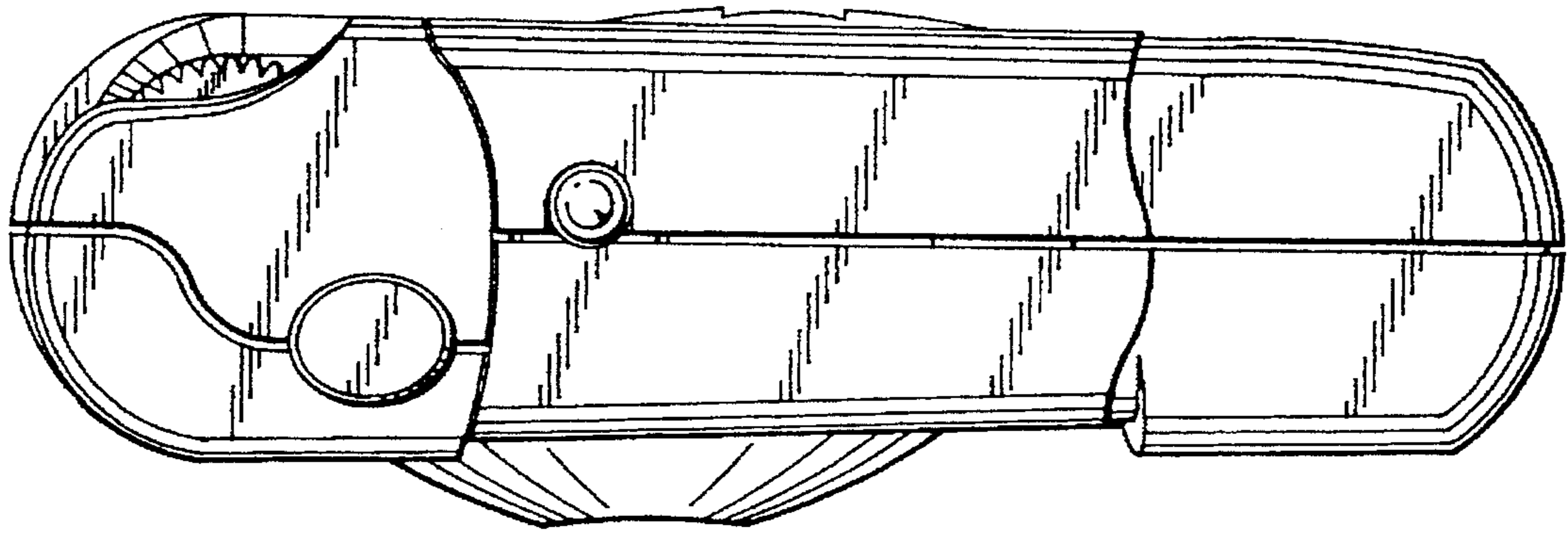


FIG. 7

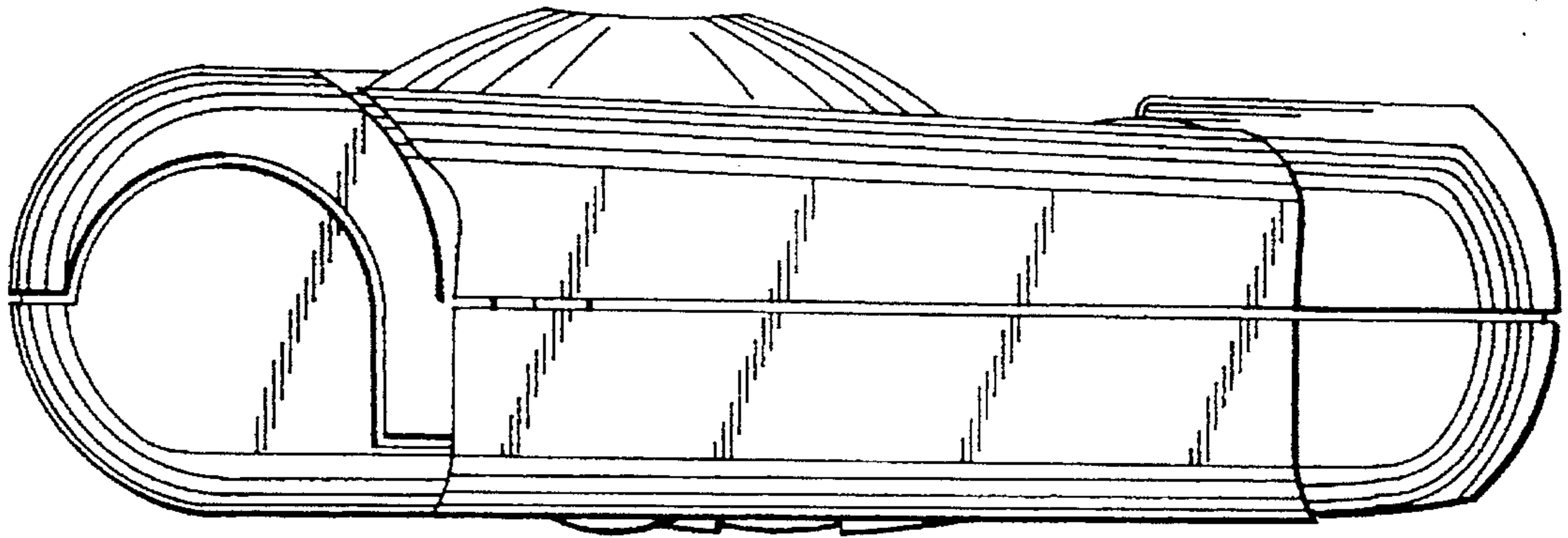


FIG. 8