



US00D374880S

United States Patent [19]

Kataoka

[11] Patent Number: **Des. 374,880**

[45] Date of Patent: ****Oct. 22, 1996**

[54] **COMBINED VIDEO TAPE RECORDER AND CAMERA**

[75] Inventor: **Tetsu Kataoka**, Tokyo, Japan

[73] Assignee: **Sony Corporation**, Tokyo, Japan

[**] Term: **14 Years**

[21] Appl. No.: **36,697**

[22] Filed: **Mar. 24, 1995**

[52] U.S. Cl. **D16/202**

[58] Field of Search **D16/200-208;**
348/373-376; 354/75, 76, 82; 358/906-909.1;
H04N 5/225

[56] **References Cited**

U.S. PATENT DOCUMENTS

D. 352,728	11/1994	Kurokawa et al.	D16/202
D. 352,729	11/1994	Tsujimura et al.	D16/202
D. 356,097	3/1995	Sakata et al.	D16/202
5,442,453	8/1995	Takagi et al.	348/374

OTHER PUBLICATIONS

Camcorder, Dec. 1993 p. 124 (VL-E3OU ViewCam).

Primary Examiner—Ted Shooman

Assistant Examiner—Adir Aronovich

Attorney, Agent, or Firm—Foley & Lardner

[57] **CLAIM**

The ornamental design for a combined video tape recorder and camera, as shown and described.

DESCRIPTION

FIG. 1 is a top, front perspective view of a combined video tape recorder and camera showing my new design;

FIG. 2 is a top plan view thereof;

FIG. 3 is a front elevational view thereof;

FIG. 4 is a bottom plan view thereof;

FIG. 5 is a right side elevational view thereof;

FIG. 6 is a rear elevational view thereof;

FIG. 7 is a left side elevational view thereof; and,

FIG. 8 is a perspective view thereof, the cover being in an open position.

1 Claim, 3 Drawing Sheets

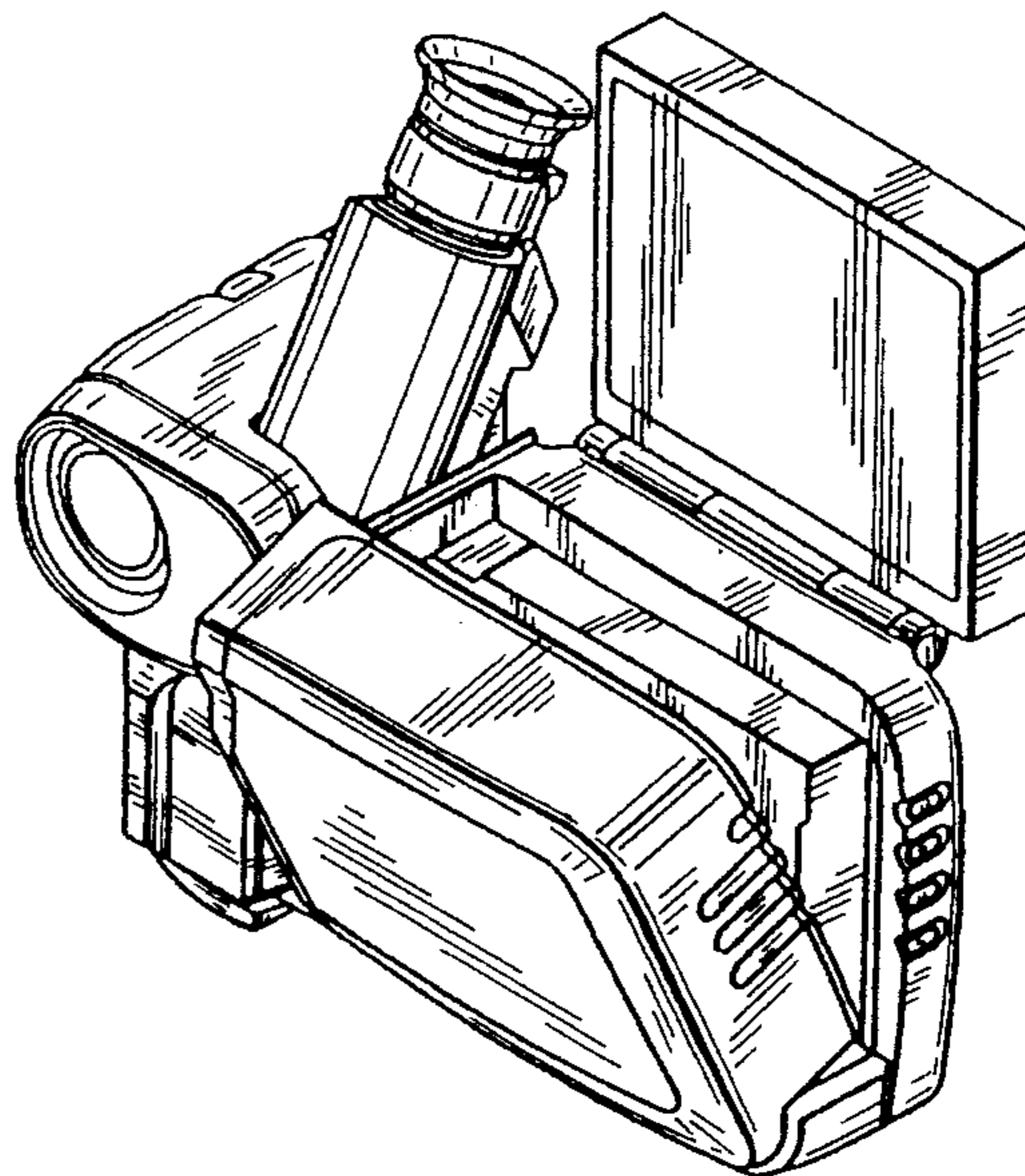
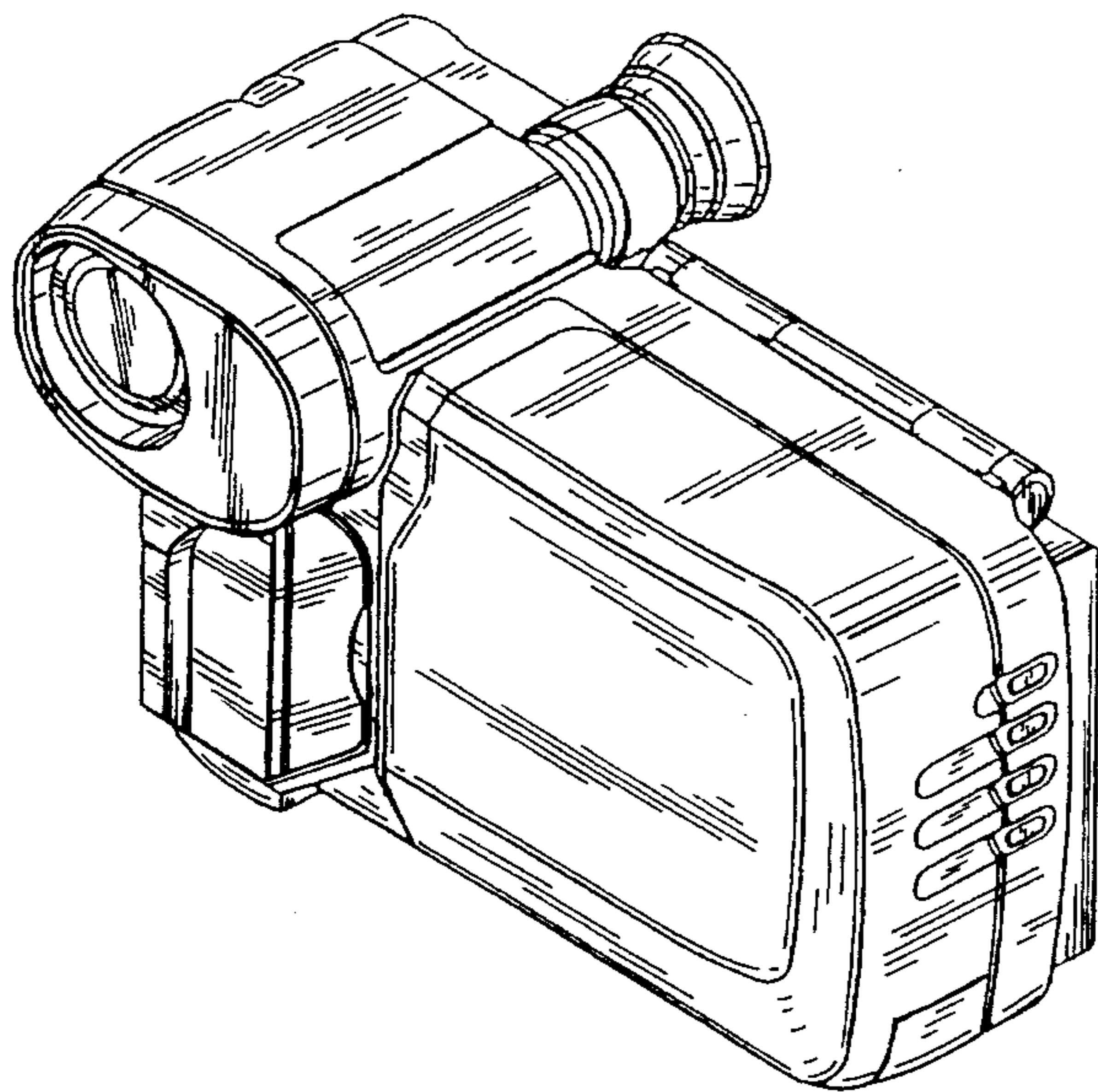


FIG. 1

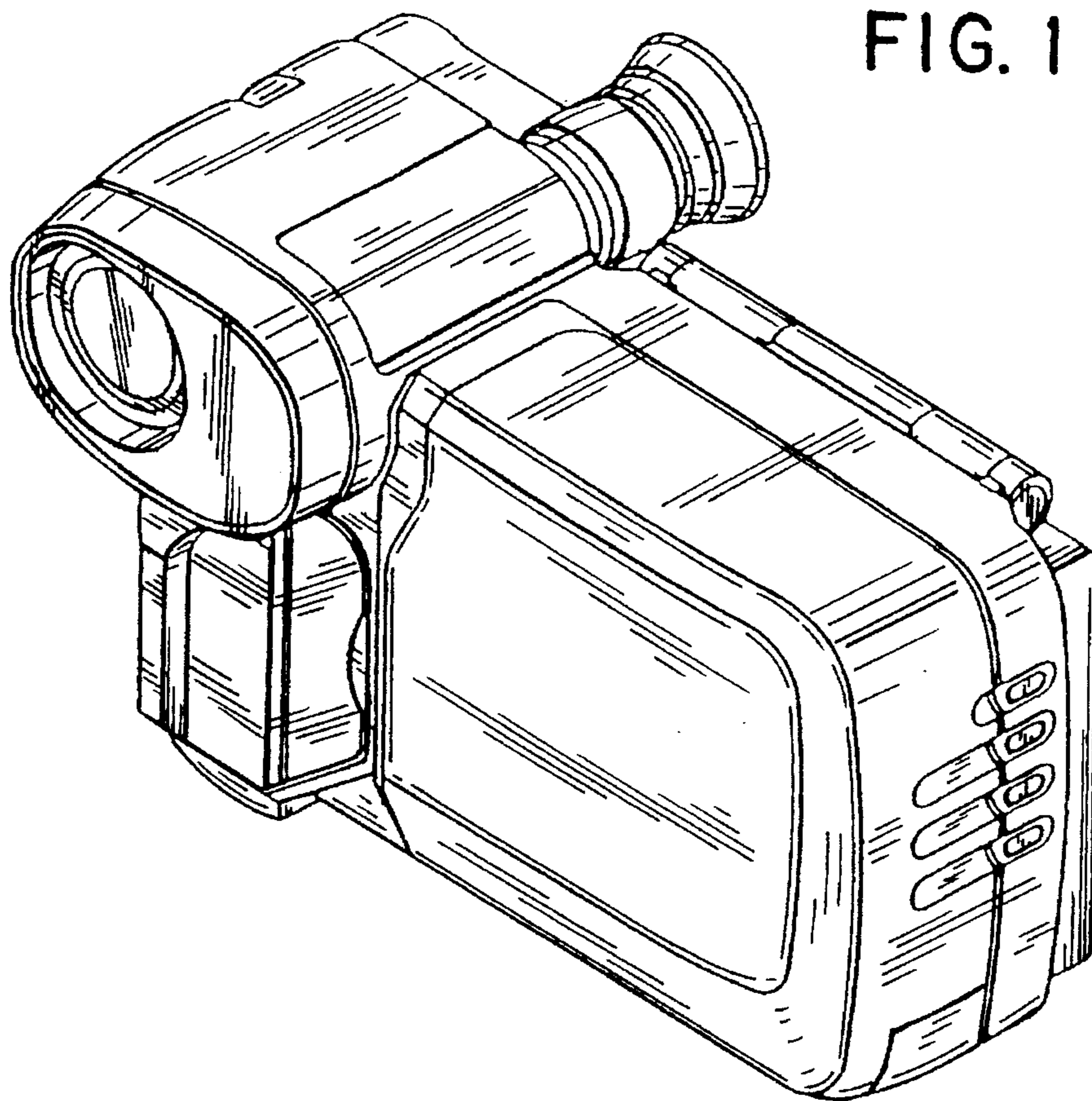


FIG. 2

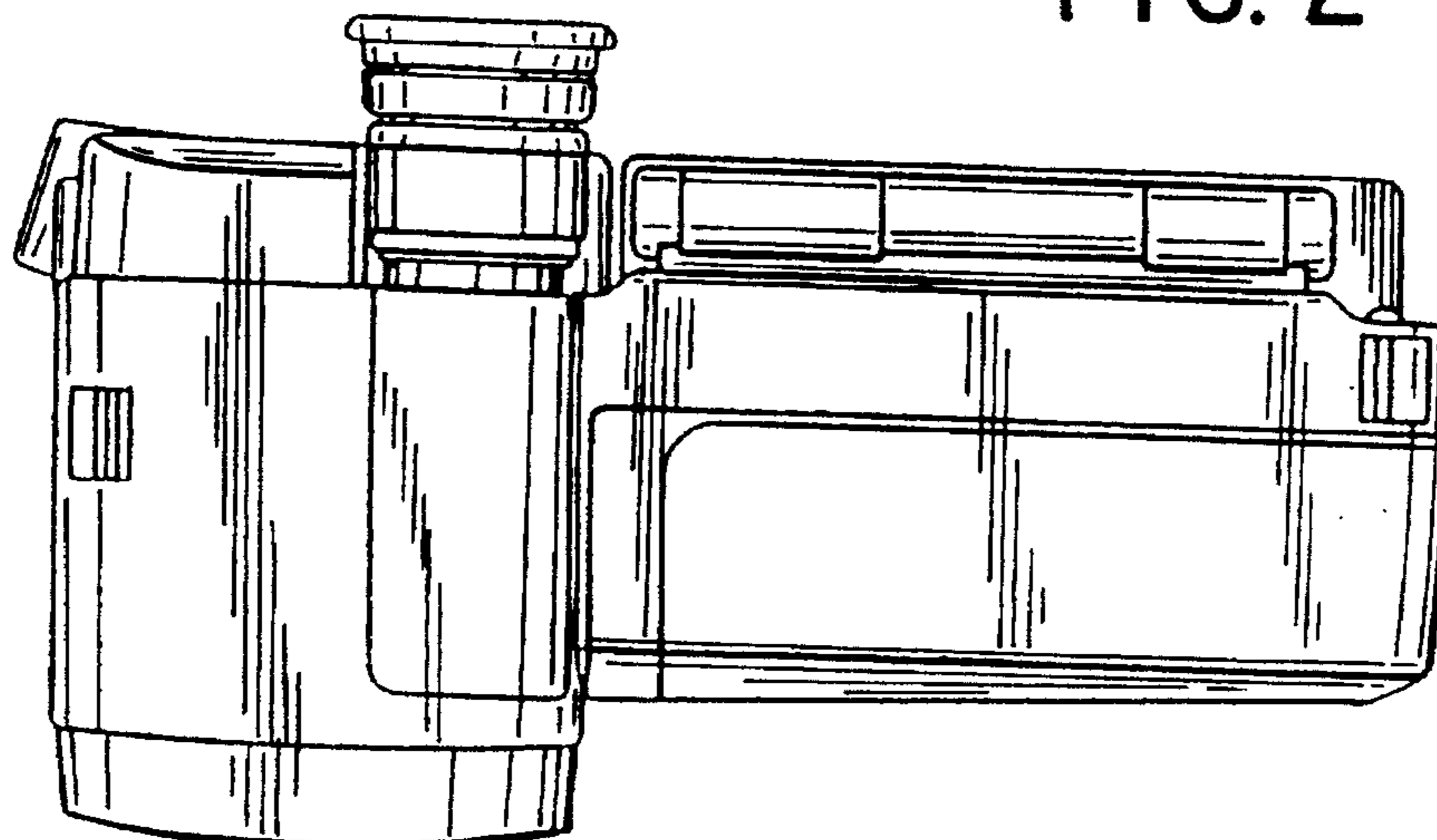


FIG. 3

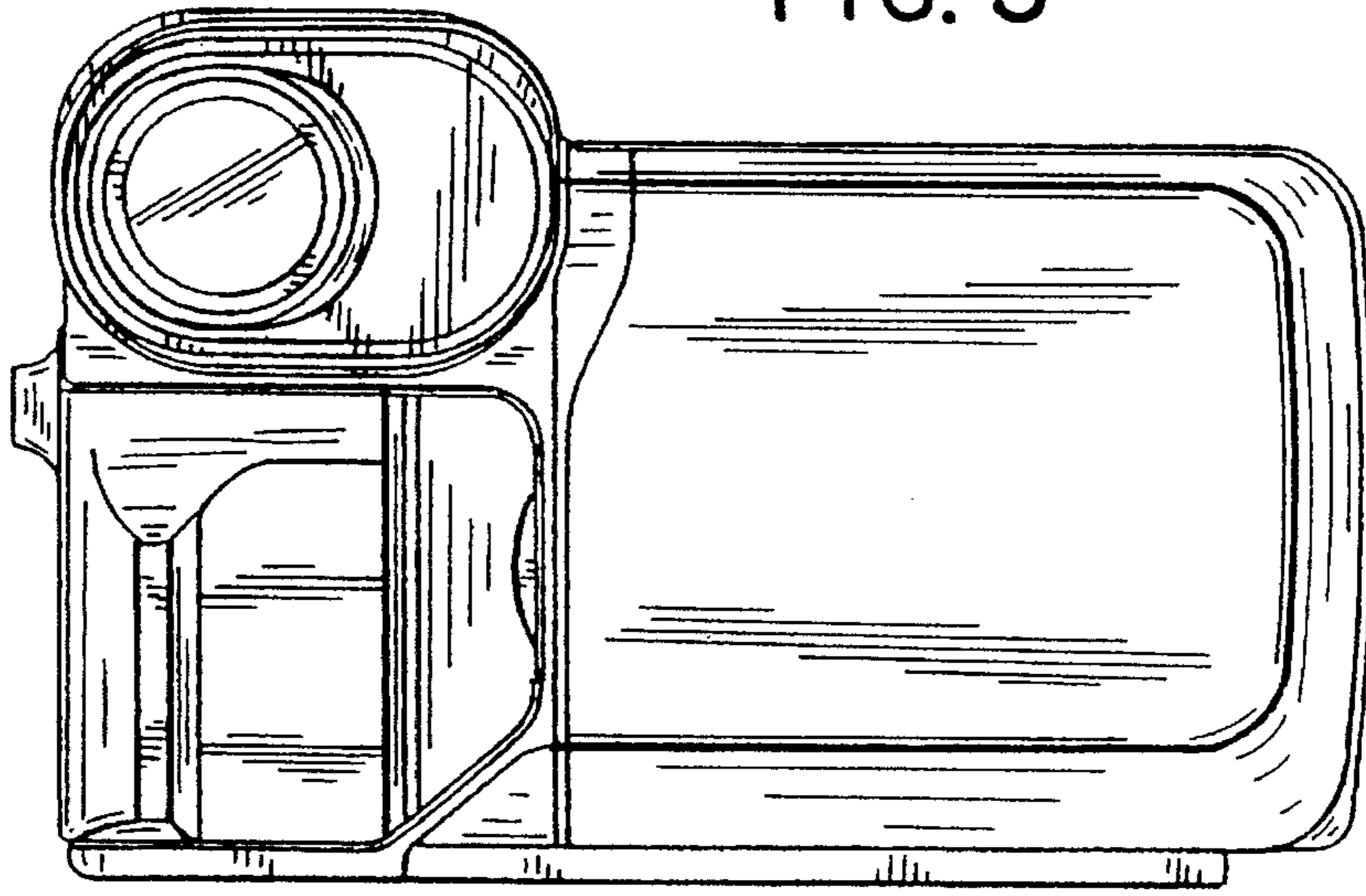


FIG. 4

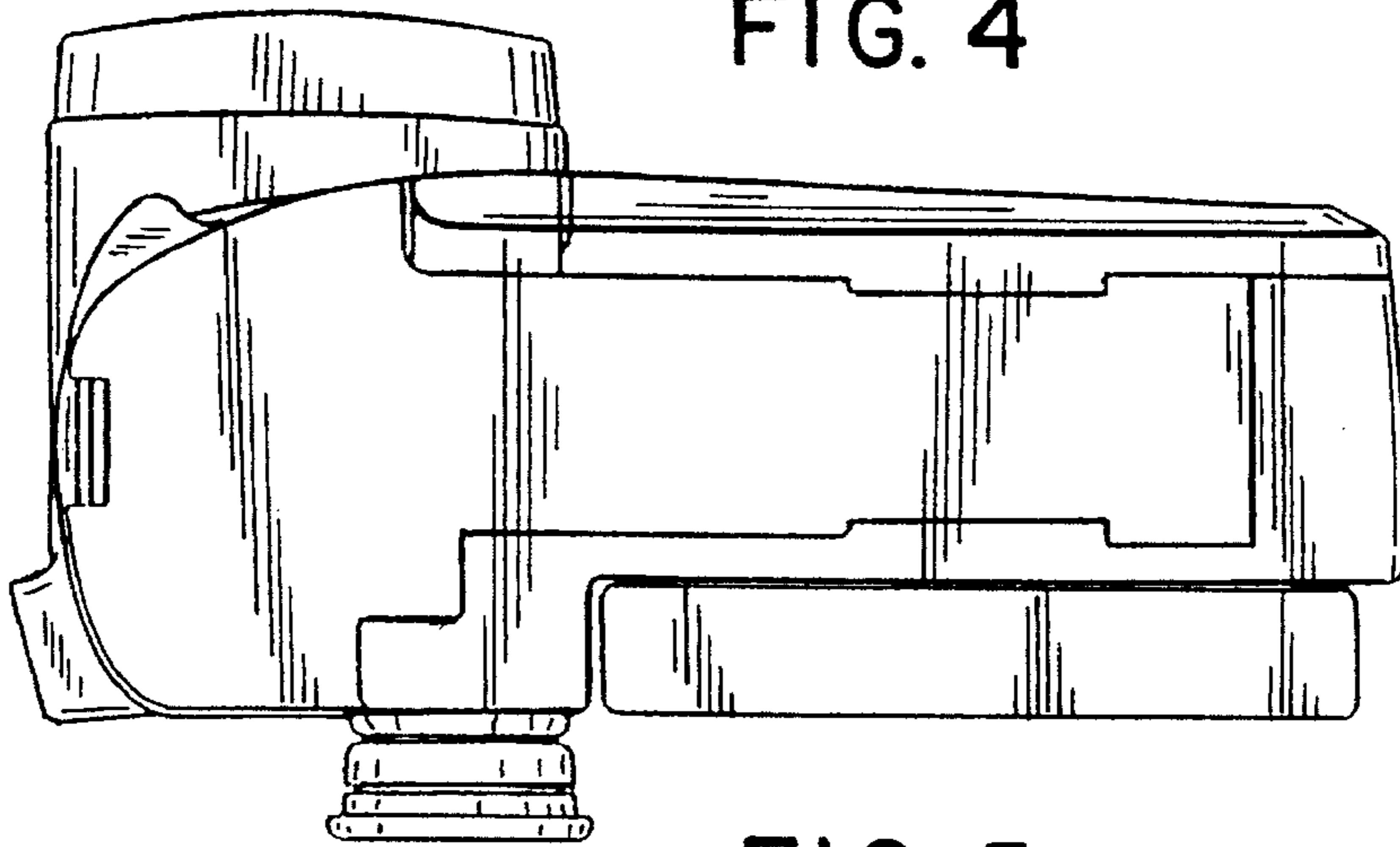
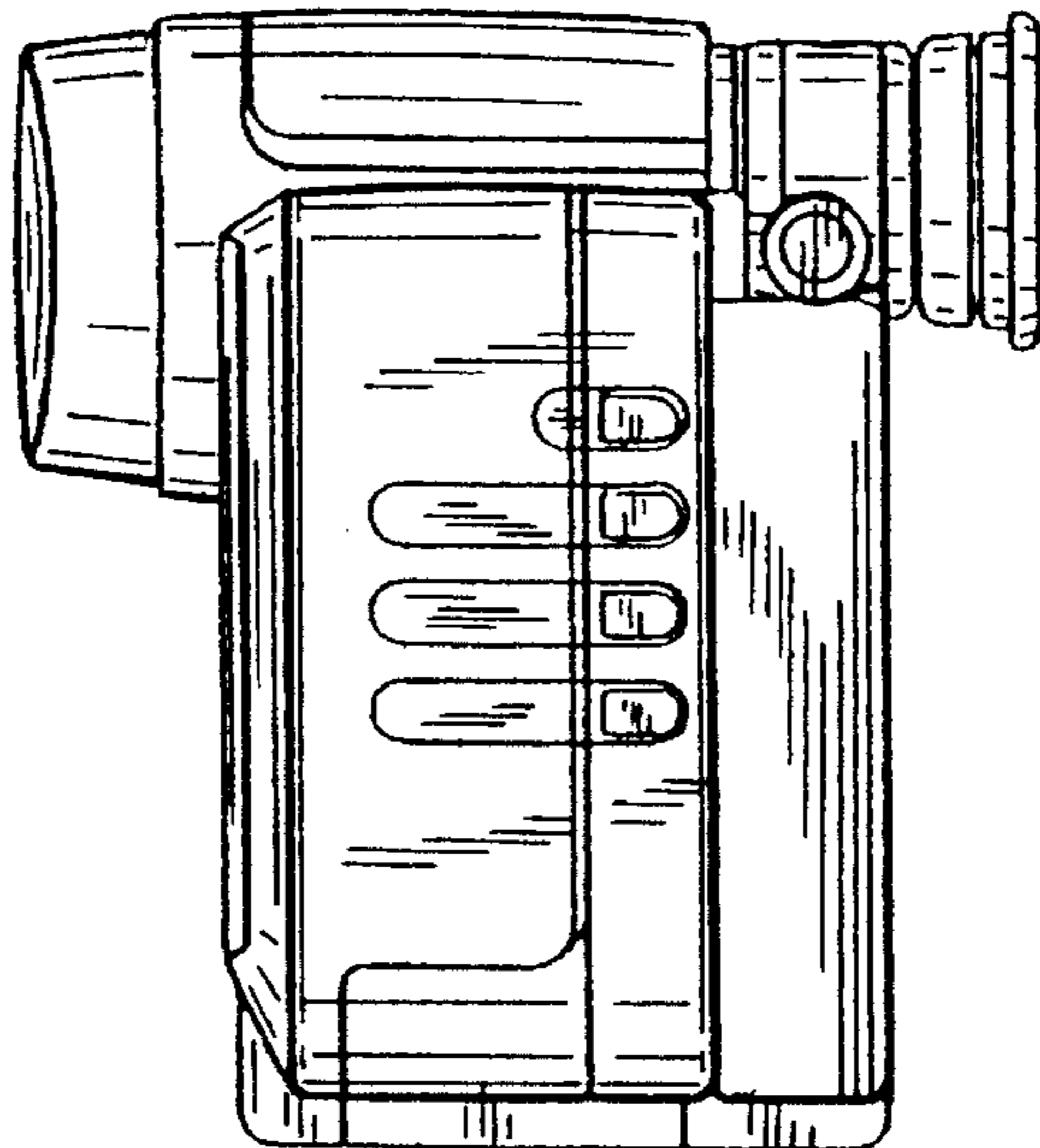


FIG. 5



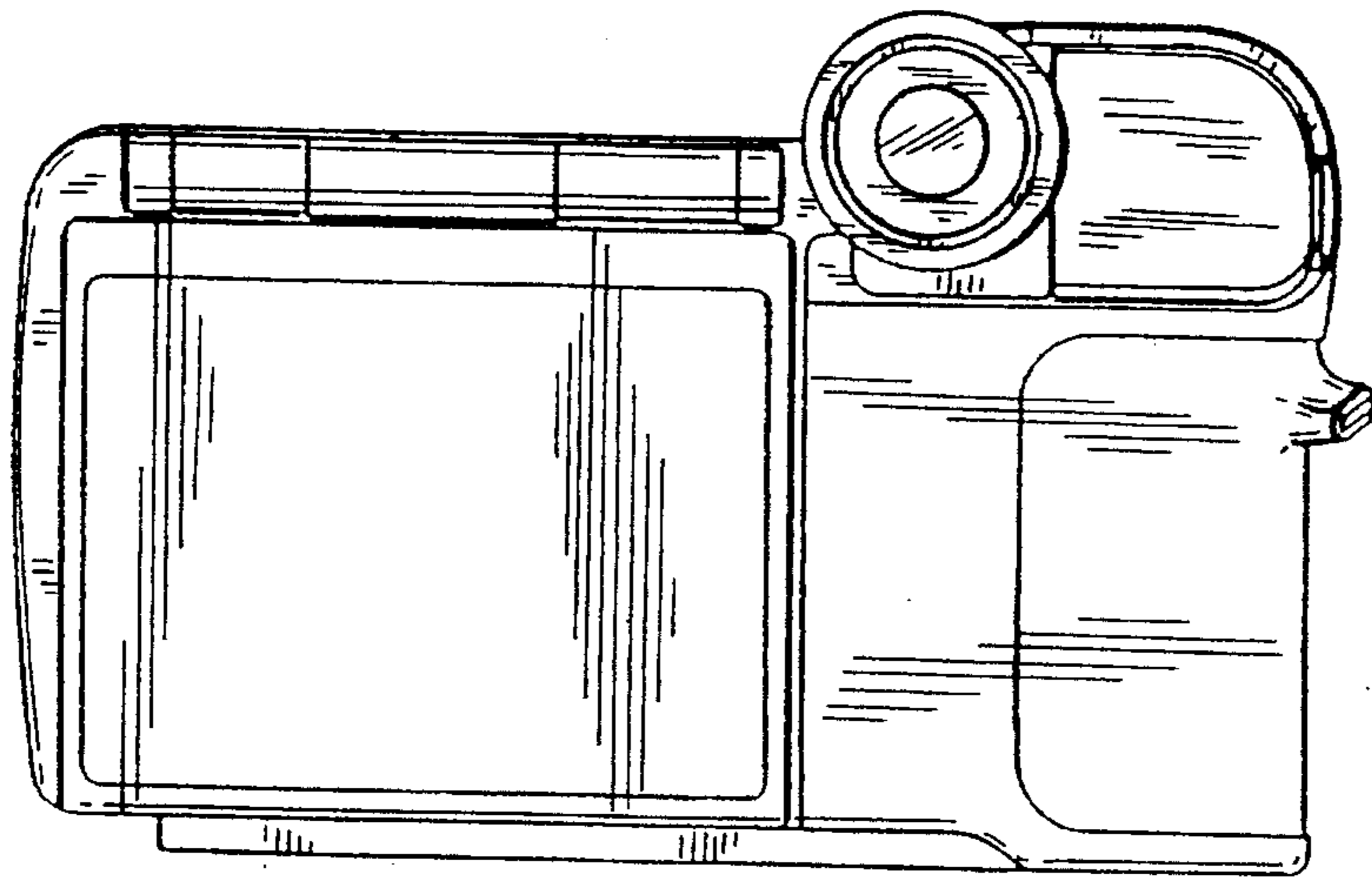


FIG. 6

FIG. 7

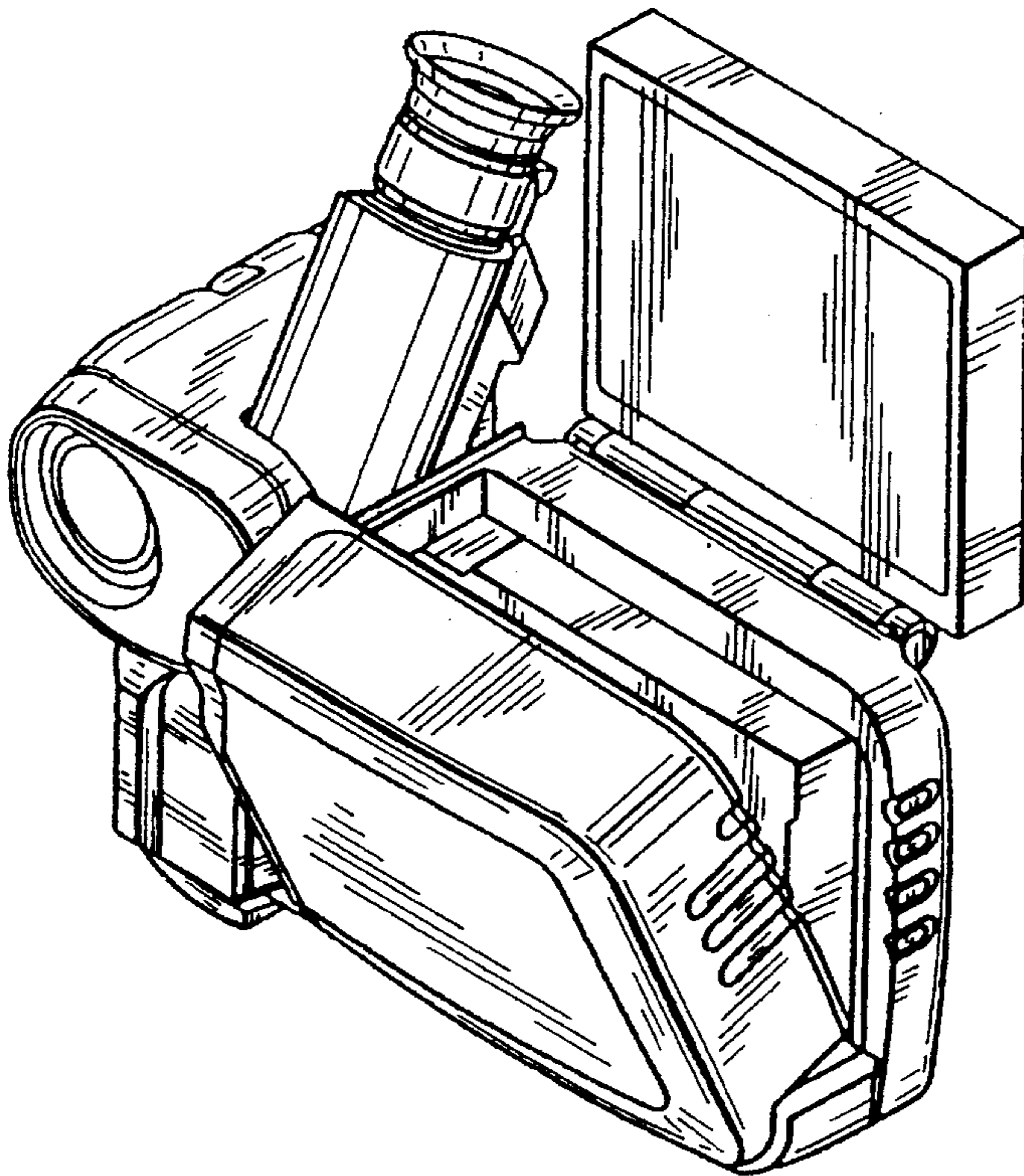
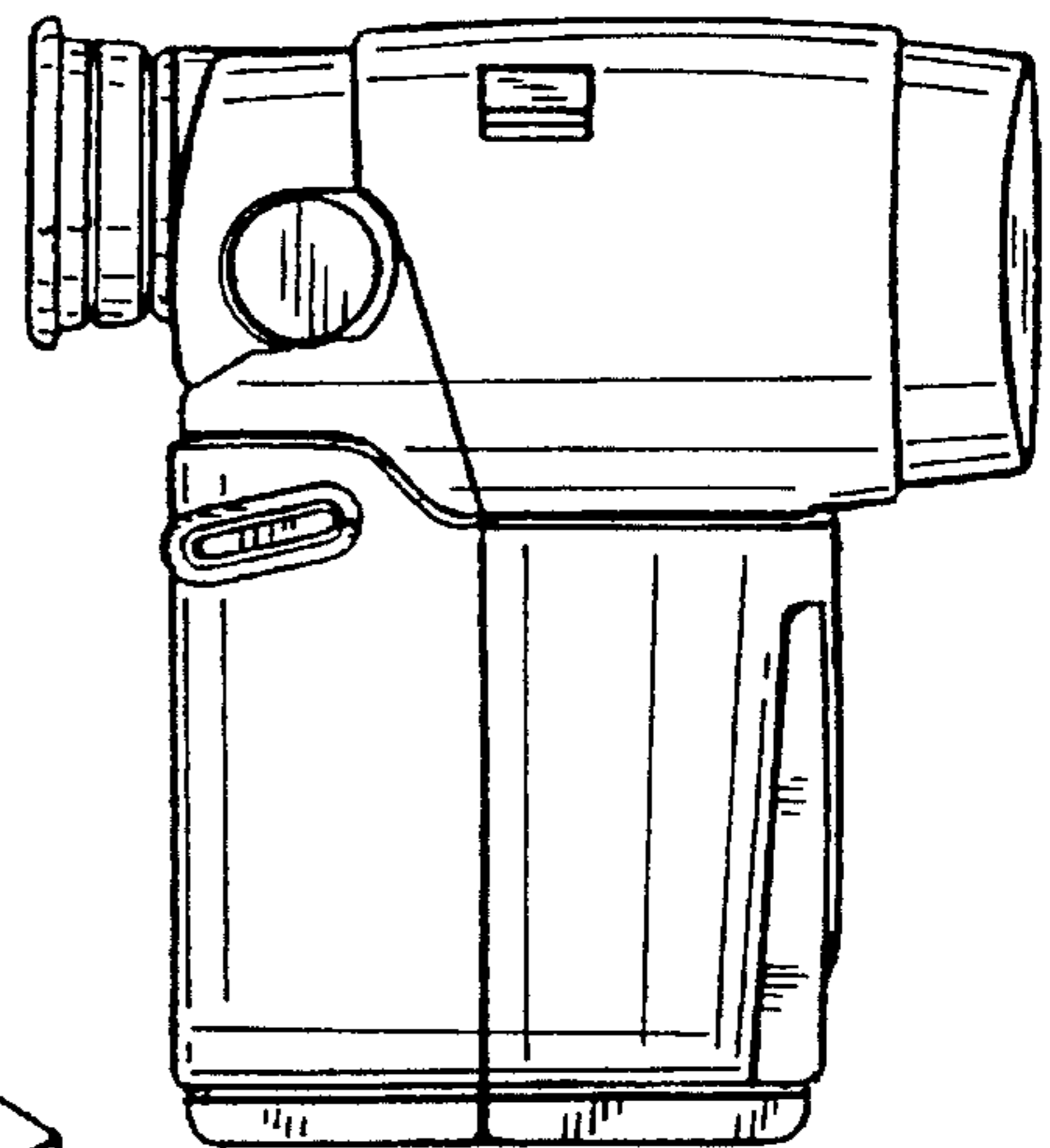


FIG. 8