



US00D374877S

# United States Patent [19]

Thomas

[11] Patent Number: **Des. 374,877**

[45] Date of Patent: **\*\*Oct. 22, 1996**

[54] SAFETY NET FOR FREEZER

[76] Inventor: **Jeffrey D. Thomas**, R.R. #4, Box 551  
A, Tunkhannock, Pa. 18657

[\*\*] Term: **14 Years**

[21] Appl. No.: **29,314**

[22] Filed: **Oct. 3, 1994**

[52] U.S. Cl. .... **D15/89**

[58] Field of Search ..... D15/79-87, 89-91;  
D21/200; D25/53; 62/246-252, 371, 444,  
445, 457.1, 457.3, 457.9; 182/137-140;  
49/26

[56] **References Cited**

**U.S. PATENT DOCUMENTS**

D. 187,034	1/1960	Lohr .....	D21/200
D. 356,380	3/1995	Reinklou .....	D25/53
D. 356,644	3/1995	Henderson .....	D25/53
1,189,919	7/1916	Collis .....	D15/87
2,944,816	7/1960	Dixon .....	D21/200

2,984,533	5/1961	Sundberg .....	D15/87
3,527,319	9/1870	Pedley .....	182/137
4,074,791	2/1978	Inman .....	182/138
4,793,145	12/1988	Hwang et al. ....	62/252

*Primary Examiner*—Sandra L. Morris  
*Attorney, Agent, or Firm*—Harold H. Dutton, Jr.; W. Charles L. Jamison; Diane F. Liebman

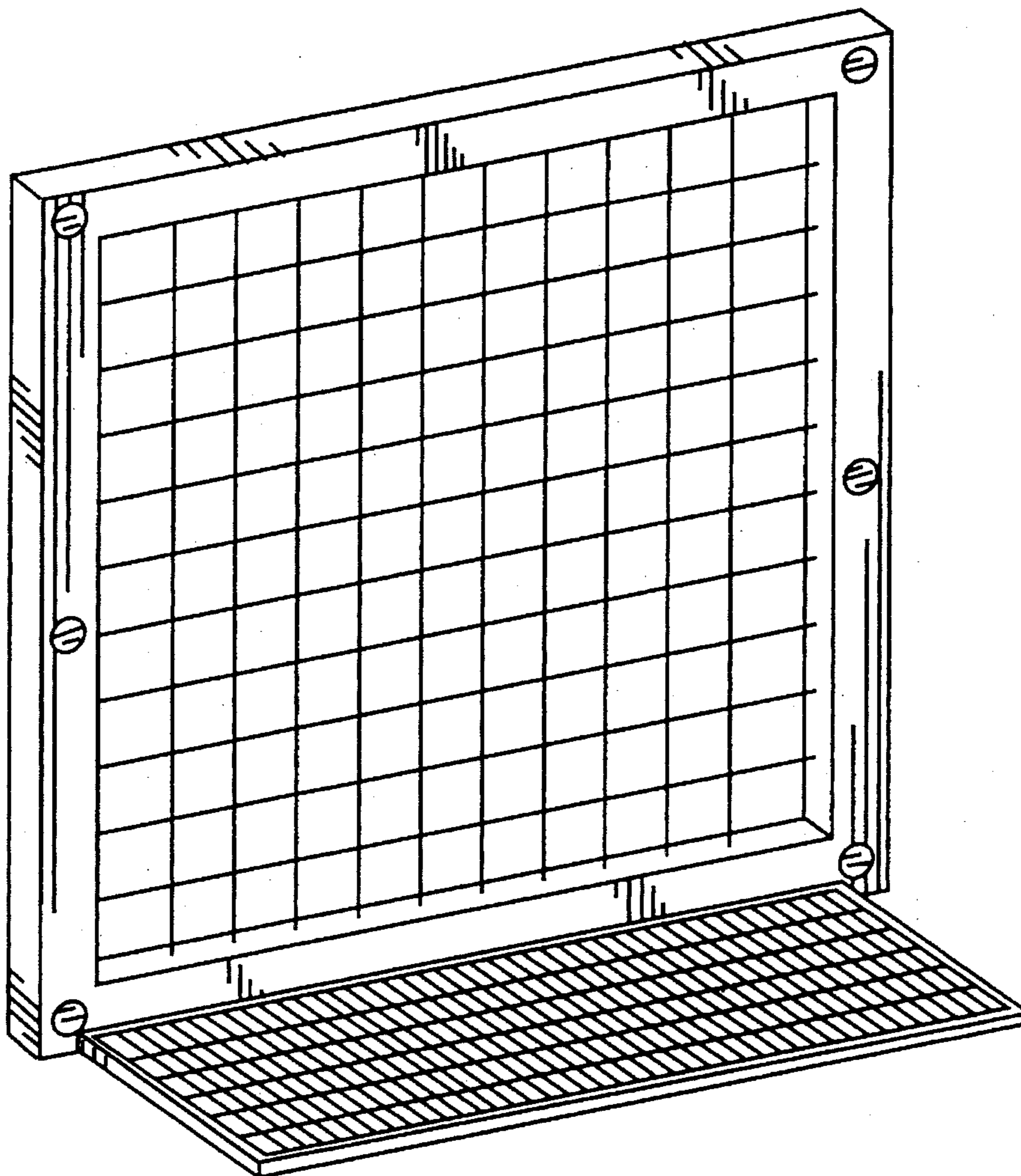
[57] **CLAIM**

The ornamental design for a safety net for freezer, as shown and described.

**DESCRIPTION**

FIG. 1 is a perspective view of a safety net for freezer showing my new design;  
FIG. 2 is a top plan view thereof;  
FIG. 3 is a side elevational view thereof; and,  
FIG. 4 is a rear elevational view thereof.  
The side opposite to that shown in FIG. 3 is a mirror image thereof, and the top is a mirror image of the bottom.

**1 Claim, 2 Drawing Sheets**



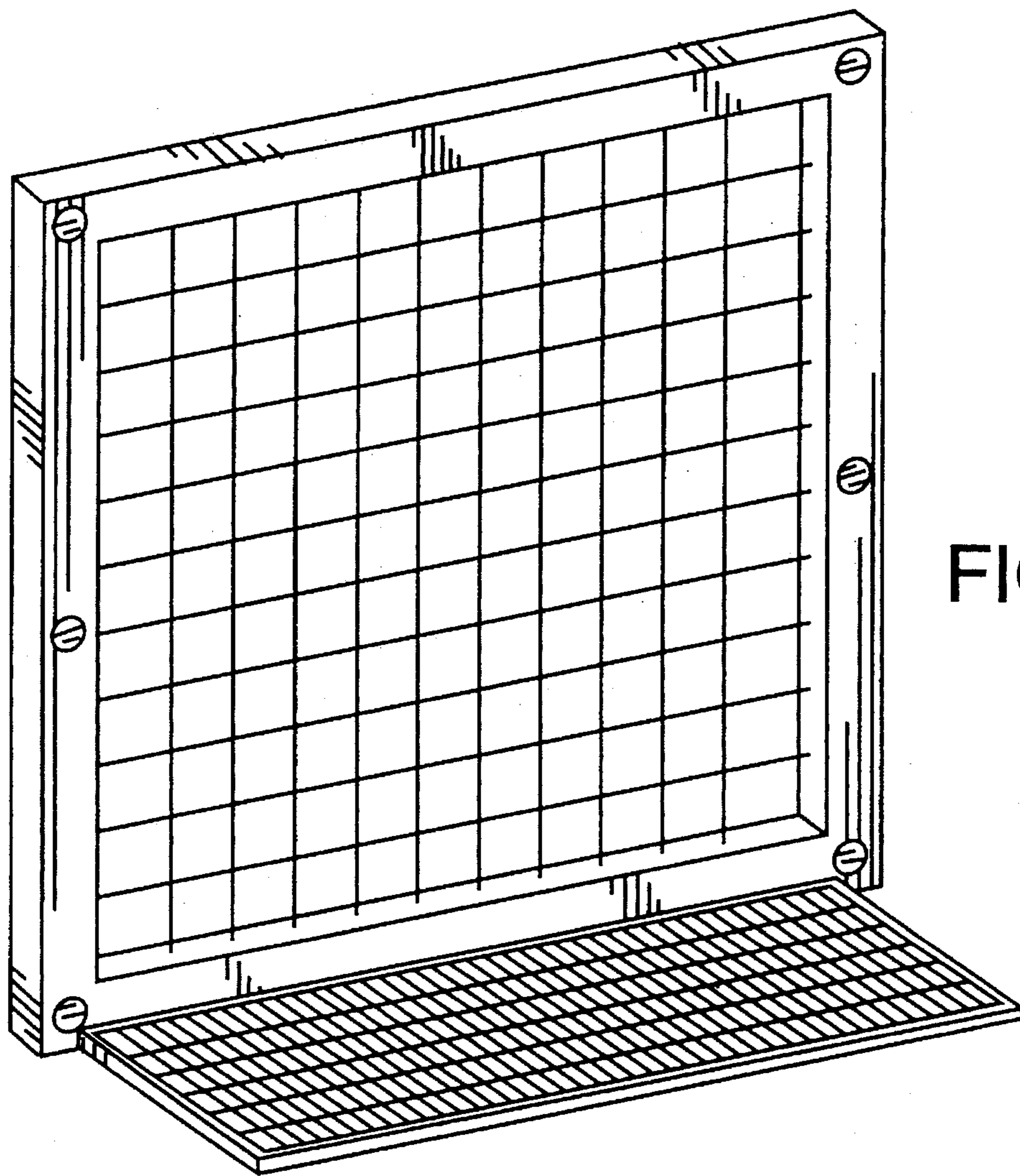


FIG. 1

FIG. 2

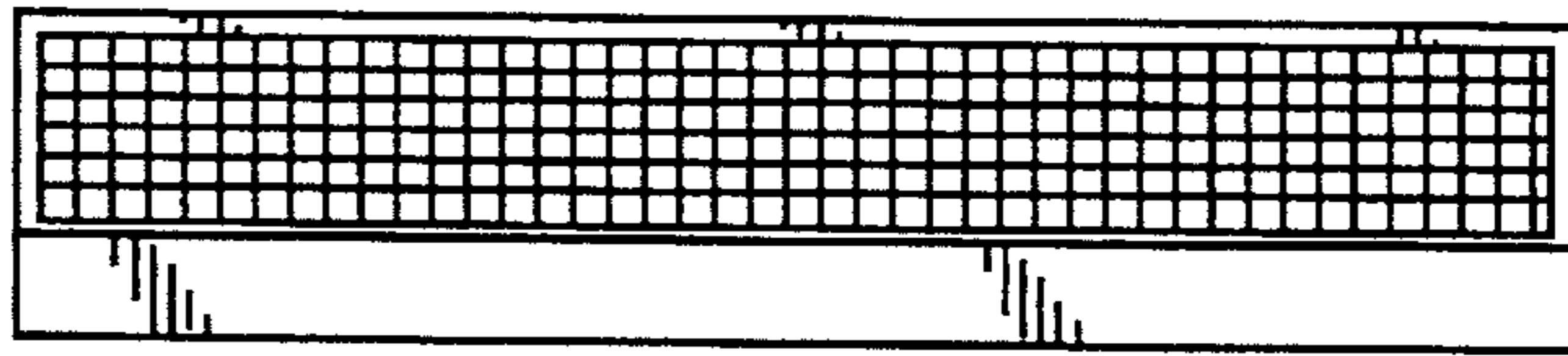


FIG. 3

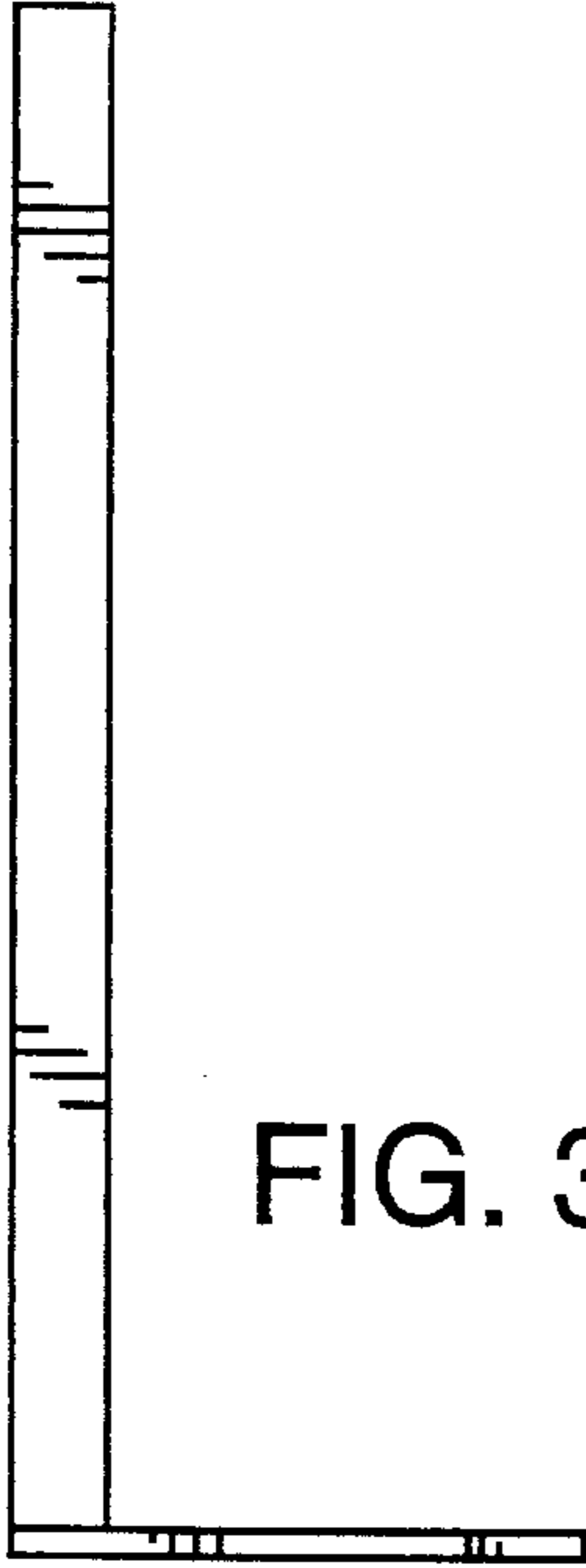


FIG. 4

