



US00D374876S

**United States Patent** [19]  
**Zimmerman**

[11] **Patent Number: Des. 374,876**  
[45] **Date of Patent: \*\*Oct. 22, 1996**

[54] **ROTARY ENGINE**

4,658,779 4/1987 Del Grando ..... 123/248

[76] Inventor: **Mark Zimmerman**, 1215 S. County Rd. #13, Tiffin, Ohio 44883

*Primary Examiner*—Louis S. Zarfes  
*Assistant Examiner*—Frank Martinez  
*Attorney, Agent, or Firm*—Harpman & Harpman

[\*\*] Term: **14 Years**

[57] **CLAIM**

[21] Appl. No.: **39,995**

The ornamental design for a rotary engine, as shown and described.

[22] Filed: **Jun. 8, 1995**

[52] U.S. Cl. .... **D15/1**

**DESCRIPTION**

[58] Field of Search ..... D15/1, 5; 60/623; 123/200, 237, 248

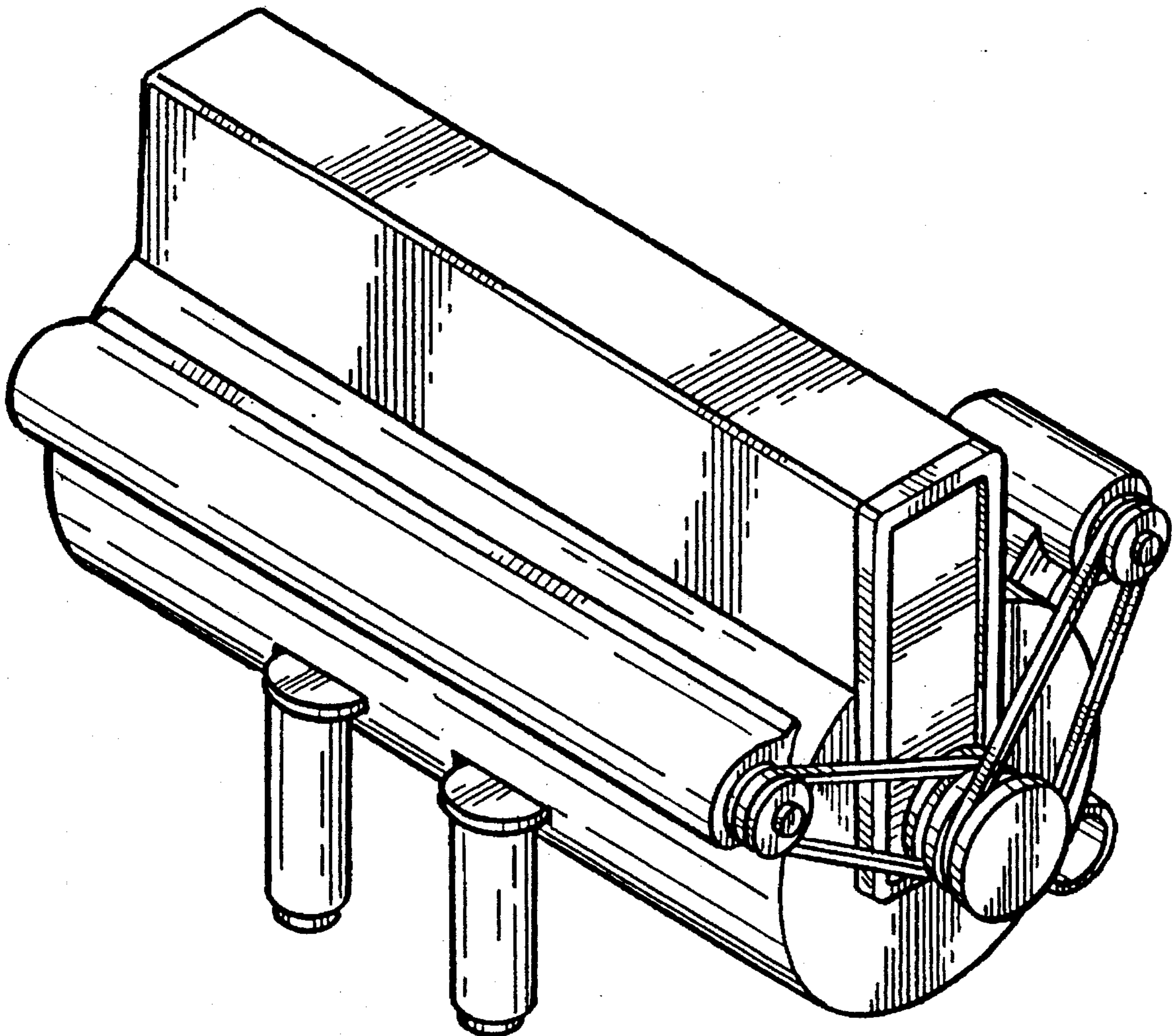
FIG. 1 is a front, top and side perspective view of the rotary engine embodying the design of the present invention; FIG. 2 is a front elevational view thereof; FIG. 3 is a rear elevational view thereof; FIG. 4 is a right side elevational view thereof; FIG. 5 is a left side elevational view thereof; FIG. 6 is a top plan view thereof; and, FIG. 7 is a bottom plan view thereof.

[56] **References Cited**

**U.S. PATENT DOCUMENTS**

1,065,962	7/1913	Newburg .....	123/248
1,216,378	2/1917	Thomas .....	123/237
2,447,929	8/1948	Berry .....	60/623
2,821,176	1/1958	Koser et al. ....	123/248
3,810,724	5/1974	Luukkonen .....	123/248 X

**1 Claim, 4 Drawing Sheets**



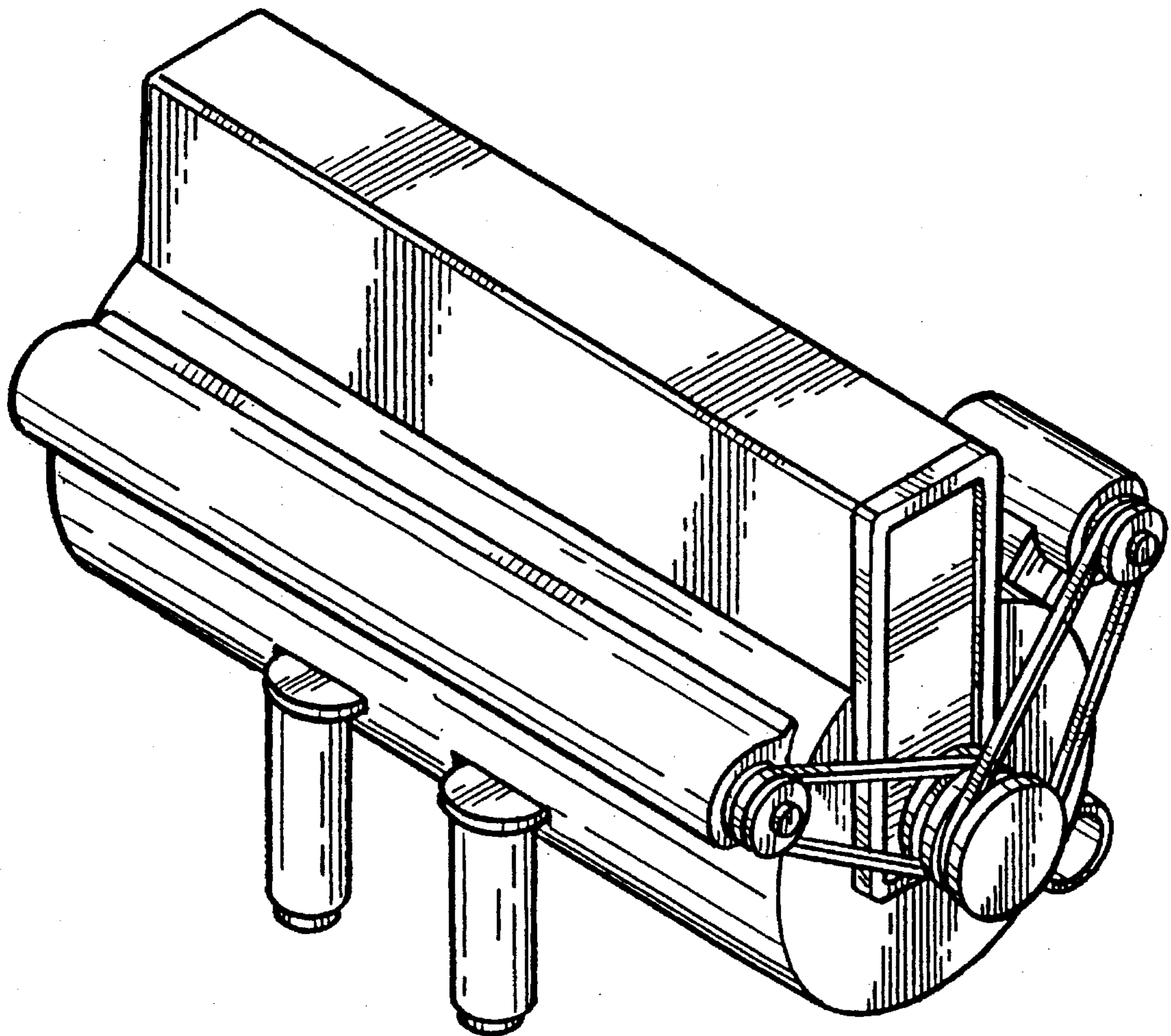


FIG. 1

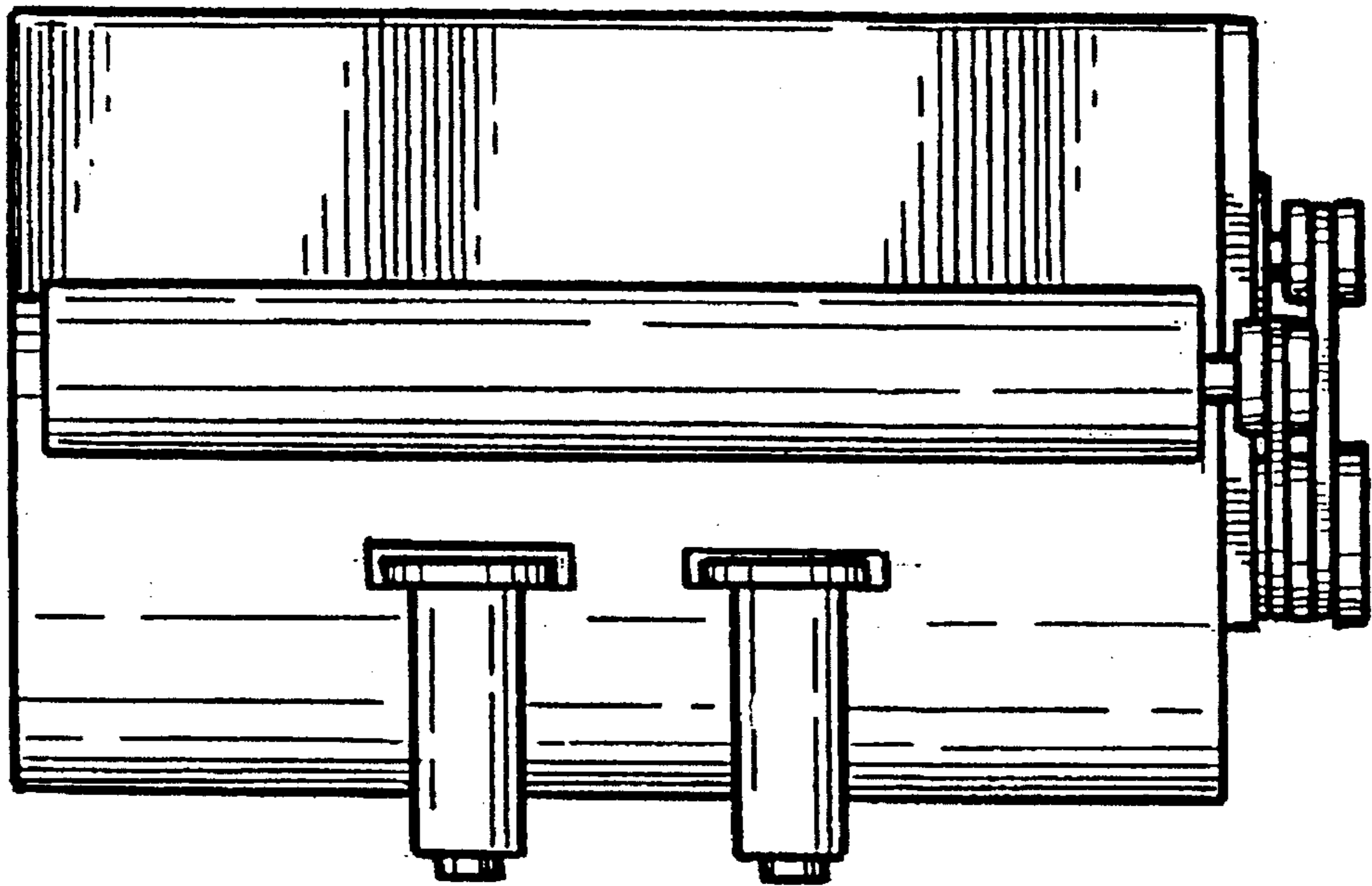


FIG. 2

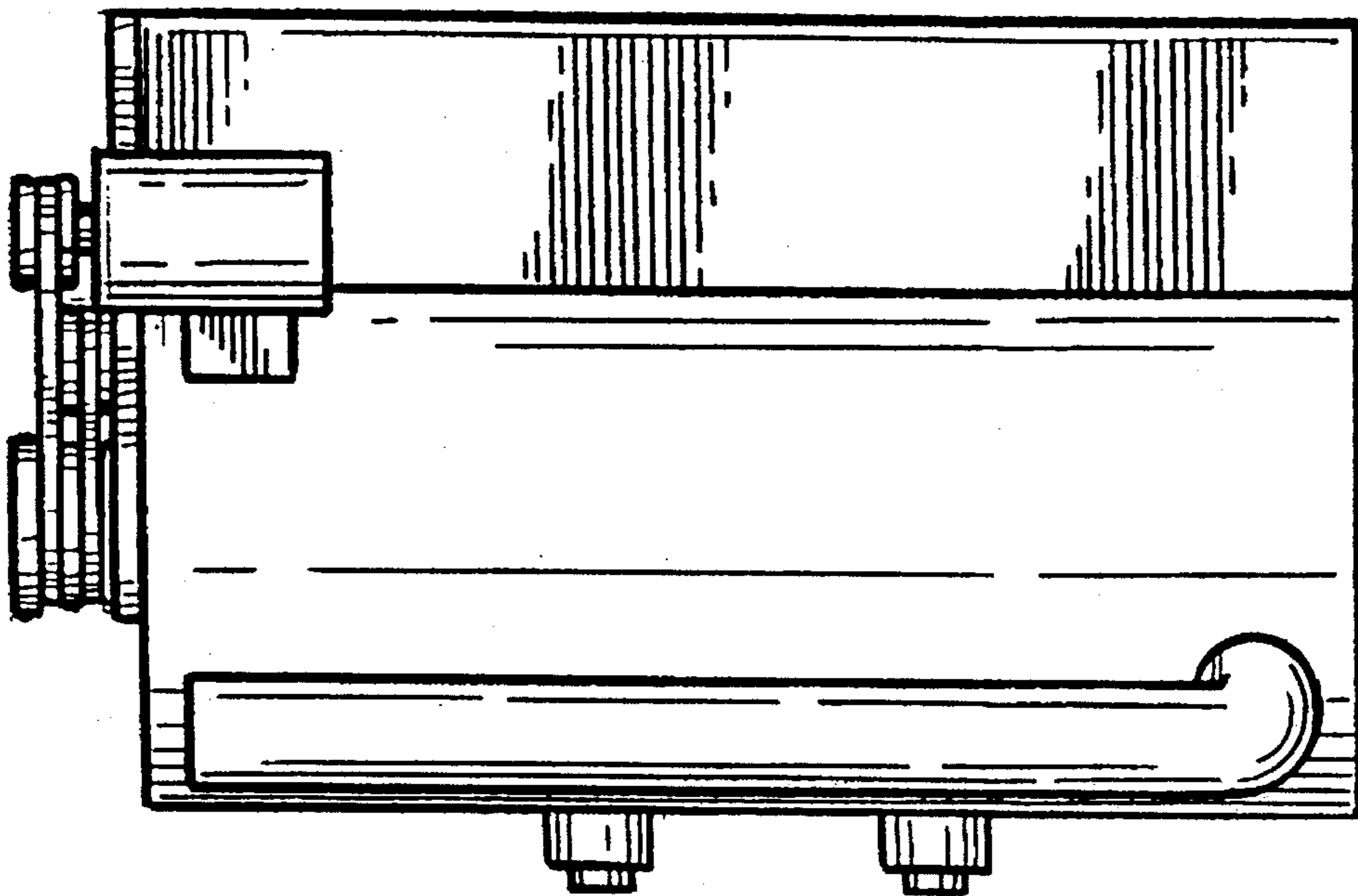


FIG. 3

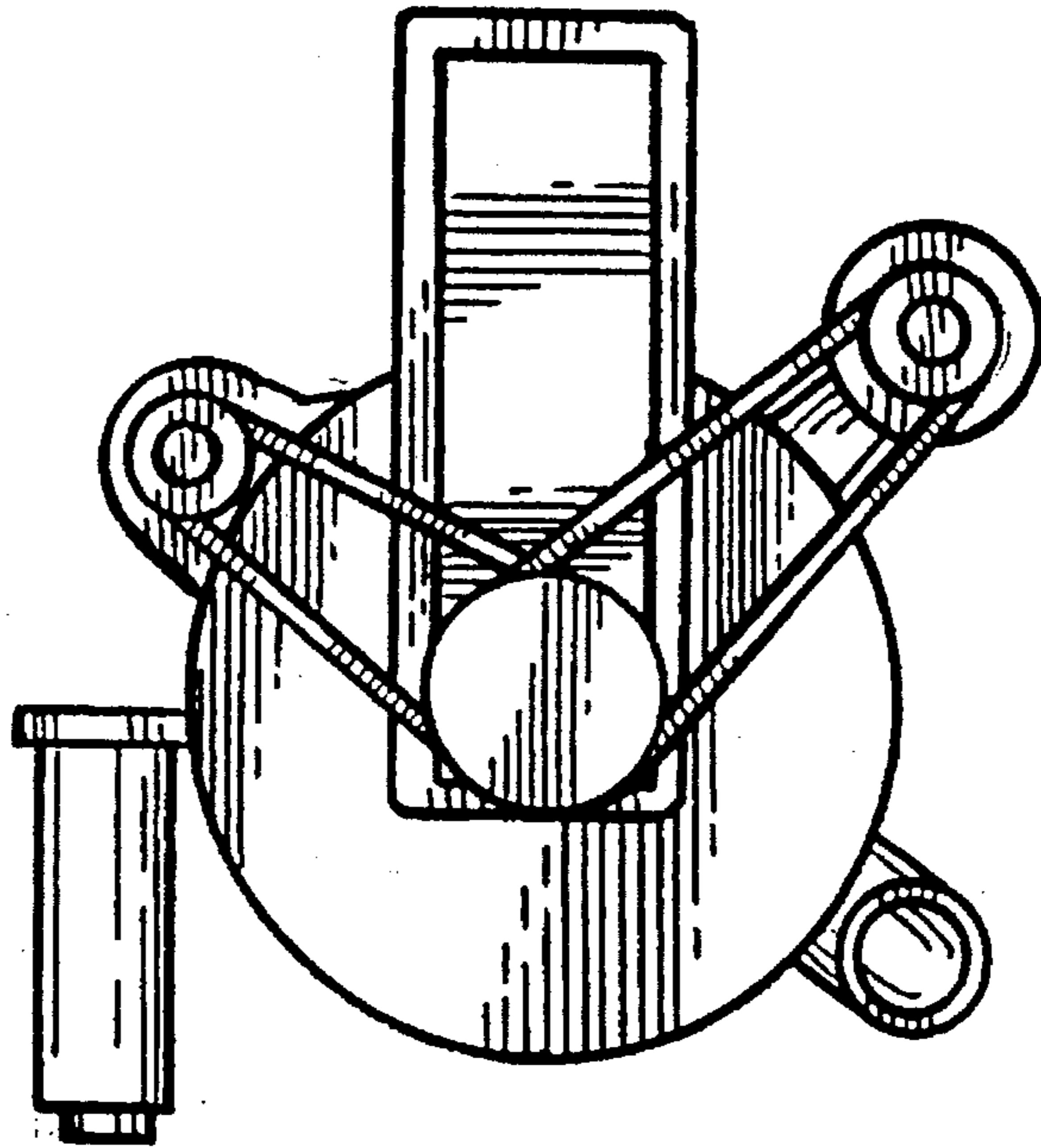


FIG. 4

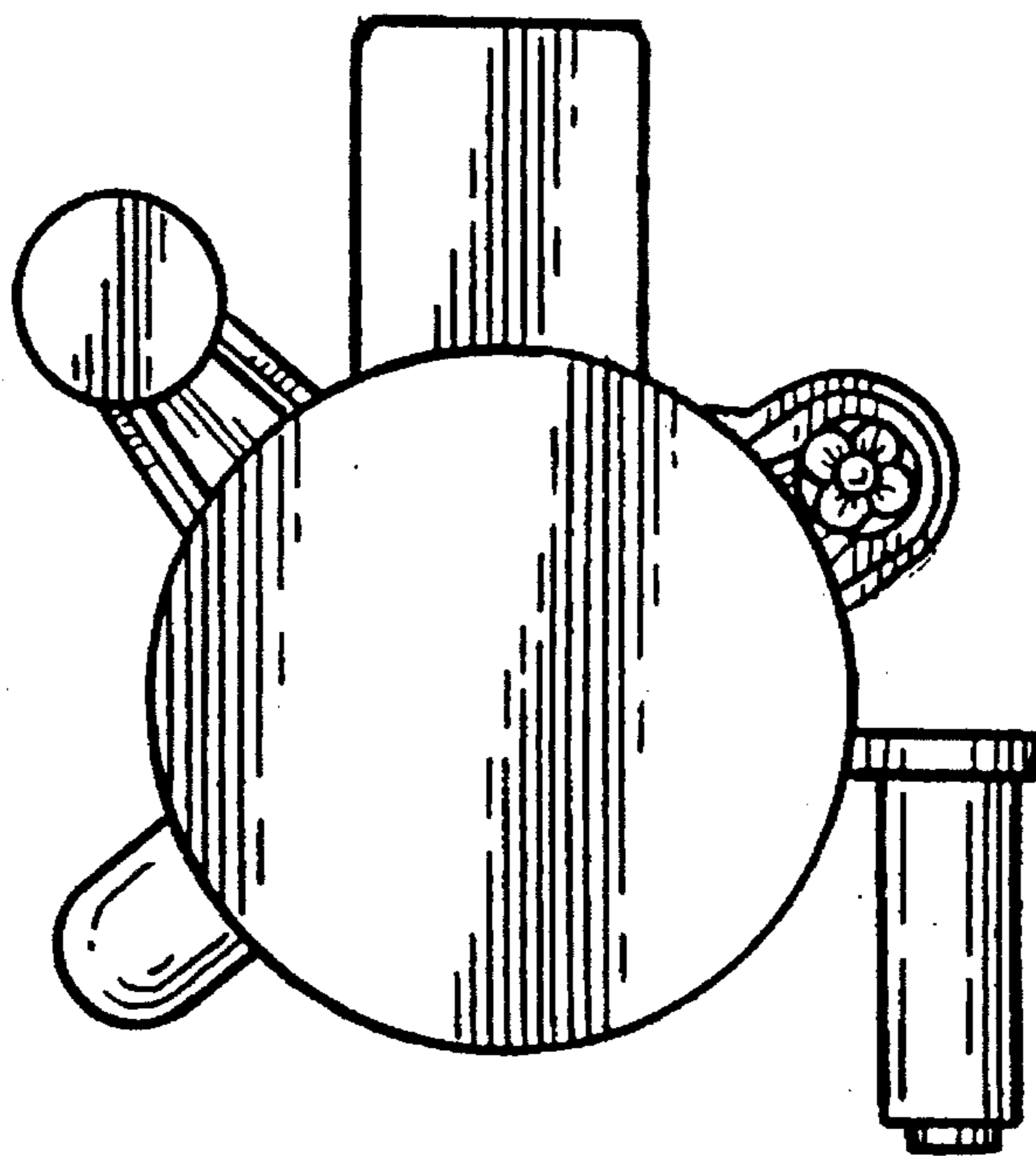


FIG. 5

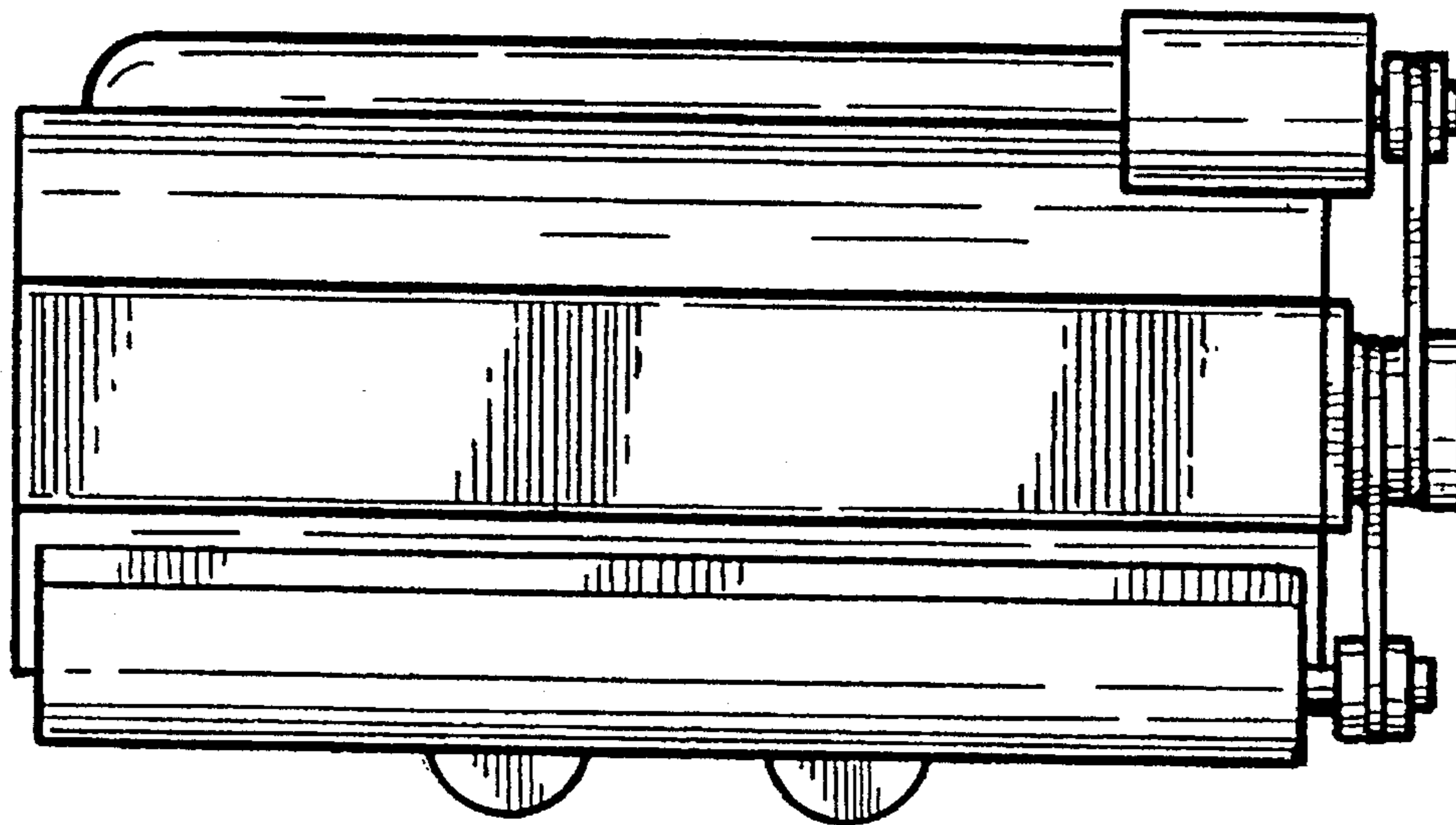


FIG. 6

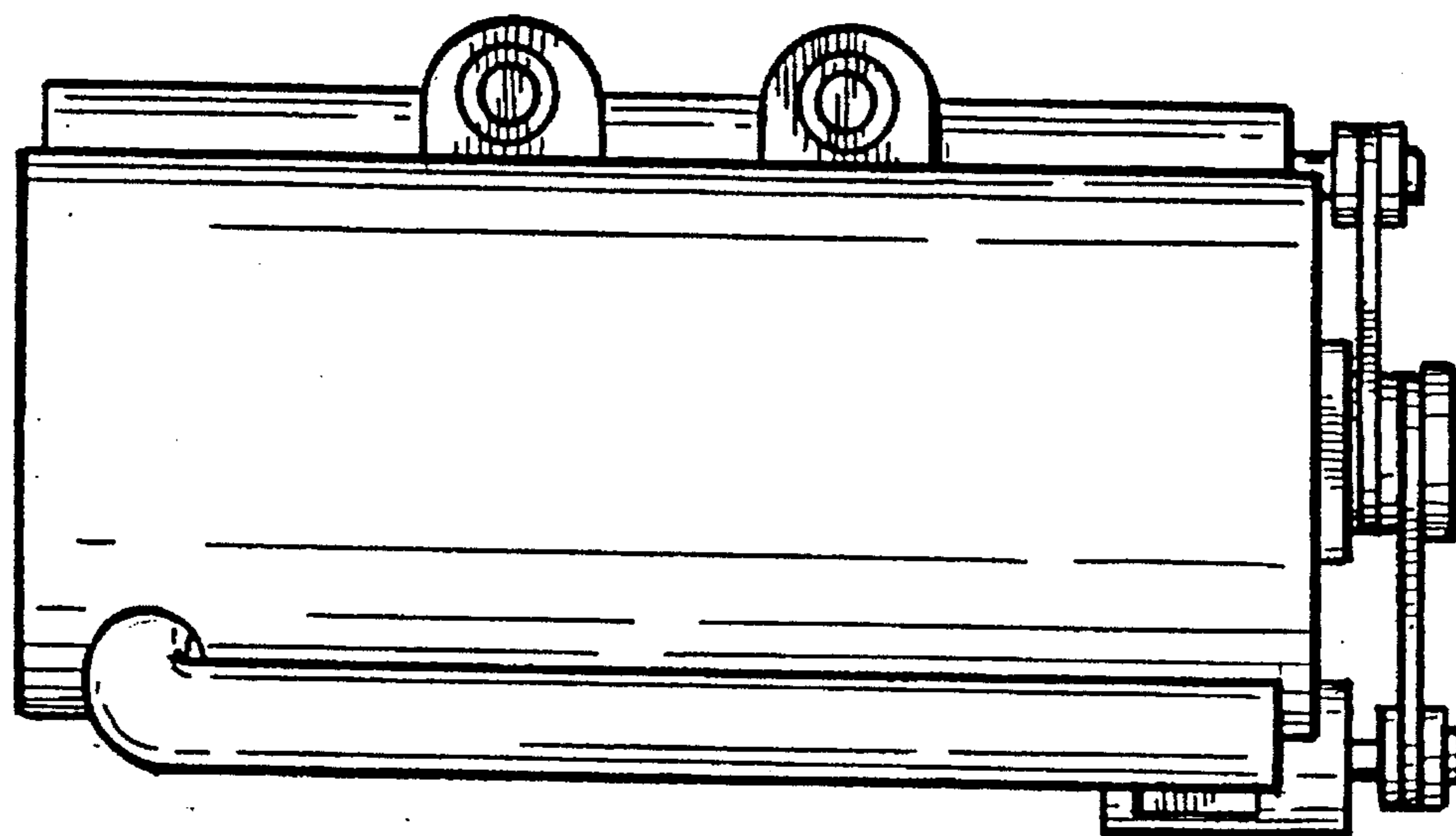


FIG. 7