



US00D374875S

# United States Patent [19]

[11] Patent Number: **Des. 374,875**

Graves

[45] Date of Patent: **\*\*Oct. 22, 1996**

[54] **HOUSING FOR A PORTABLE TELEPHONE CAPABLE OF HANGING FROM A REMOTE OBJECT**

3,557,322	1/1971	Walden .	
3,802,657	4/1974	Jackson .....	379/455 X
4,675,903	6/1987	Gulezian et al. ....	379/433
4,759,058	7/1988	Sutton .....	379/455 X

[76] Inventor: **James D. Graves**, 3205 S. Mt. Baker Blvd., Seattle, Wash. 98144

### FOREIGN PATENT DOCUMENTS

[\*\*] Term: **14 Years**

333861 8/1930 United Kingdom .

[21] Appl. No.: **42,969**

*Primary Examiner*—Jeffrey Asch  
*Attorney, Agent, or Firm*—Christensen, O'Connor, Johnson & Kindness PLLC

[22] Filed: **Aug. 22, 1995**

### [57] CLAIM

### Related U.S. Application Data

The ornamental design for a housing for a portable telephone capable of hanging from a remote object, as shown and described.

[63] Continuation of Ser. No. 227,600, Apr. 4, 1994, abandoned.

[52] U.S. Cl. .... **D14/248**; D14/147

[58] Field of Search ..... D14/137, 138, D14/147-151, 140, 142, 240, 248; 379/430, 433, 454, 455, 447, 59-61; 455/89, 90

### DESCRIPTION

### [56] References Cited

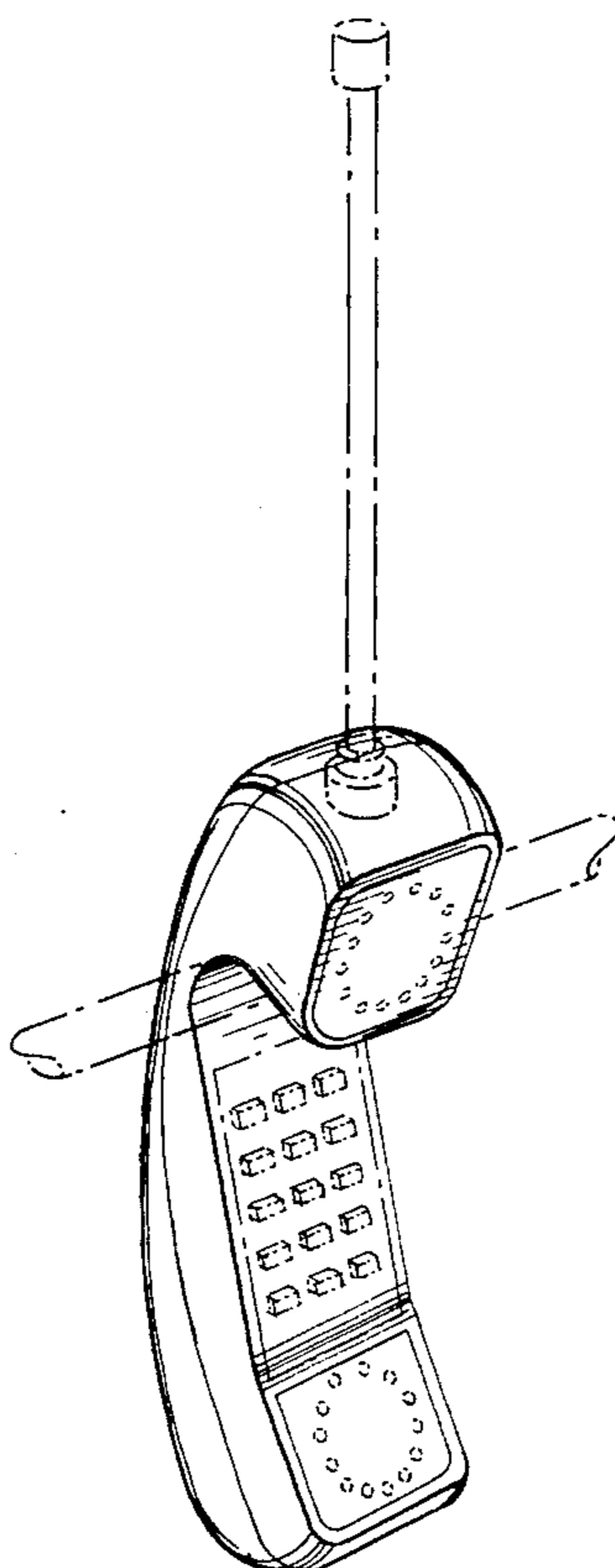
FIG. 1 is a top perspective view of a housing for a portable telephone capable of hanging from a remote object showing my new design;  
FIG. 2 is a left side elevational view thereof, the right side being a mirror image of the left side;  
FIG. 3 is a front elevational view thereof;  
FIG. 4 is a top plan view thereof;  
FIG. 5 is a bottom plan view thereof; and,  
FIG. 6 is a rear elevational view thereof.

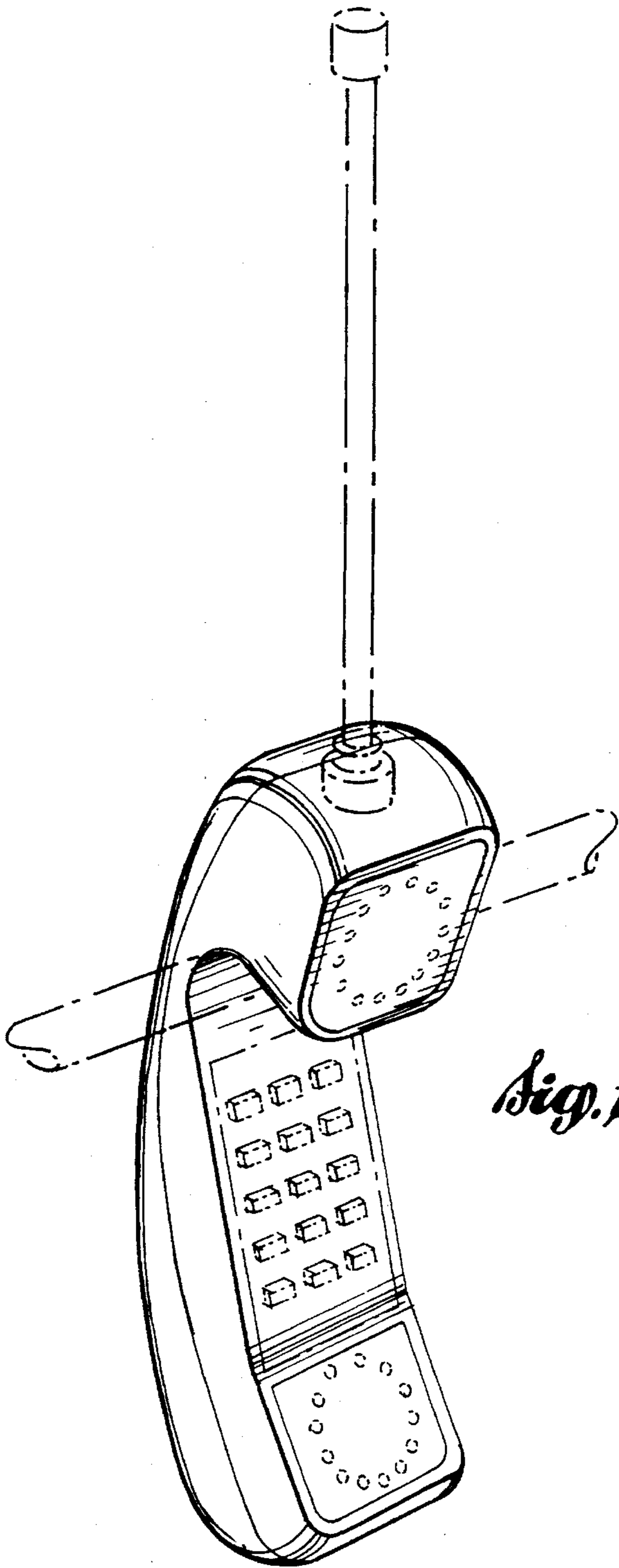
### U.S. PATENT DOCUMENTS

D. 218,314	8/1970	Tyson .....	D14/147
D. 256,583	8/1980	Marshall .....	D14/248
D. 282,465	2/1986	Hurley et al. ....	D14/138
D. 282,659	2/1986	Abrams .....	D14/248
D. 297,838	9/1988	Boykiw et al. ....	D14/248
D. 304,588	11/1989	Desbarats .....	D14/151 X
D. 315,907	4/1991	Wong et al. .	
D. 363,283	10/1995	Solomita .....	D14/147
2,098,402	11/1937	Reifsteck et al. ....	379/433
2,686,834	8/1954	Gottlieb .....	D14/137 X
2,793,411	2/1961	Ingrao .	

In FIG. 1, an antenna, keypad, receiver and speaker holes and horizontal rod are shown in broken lines as conventional environmental elements which do not constitute part of my new design.

**1 Claim, 2 Drawing Sheets**

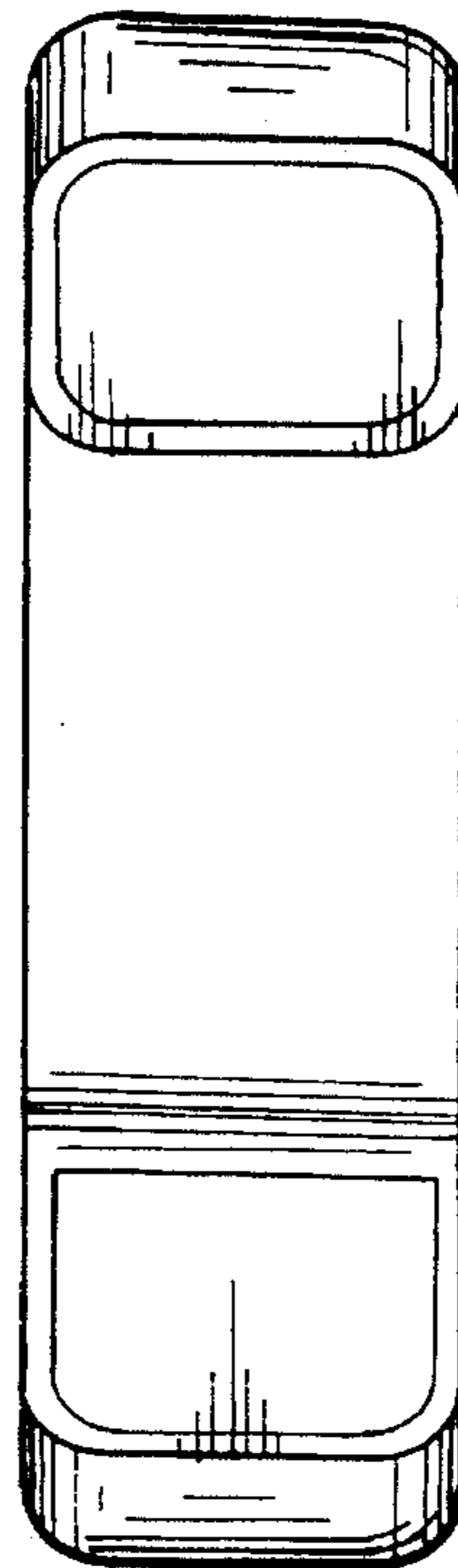




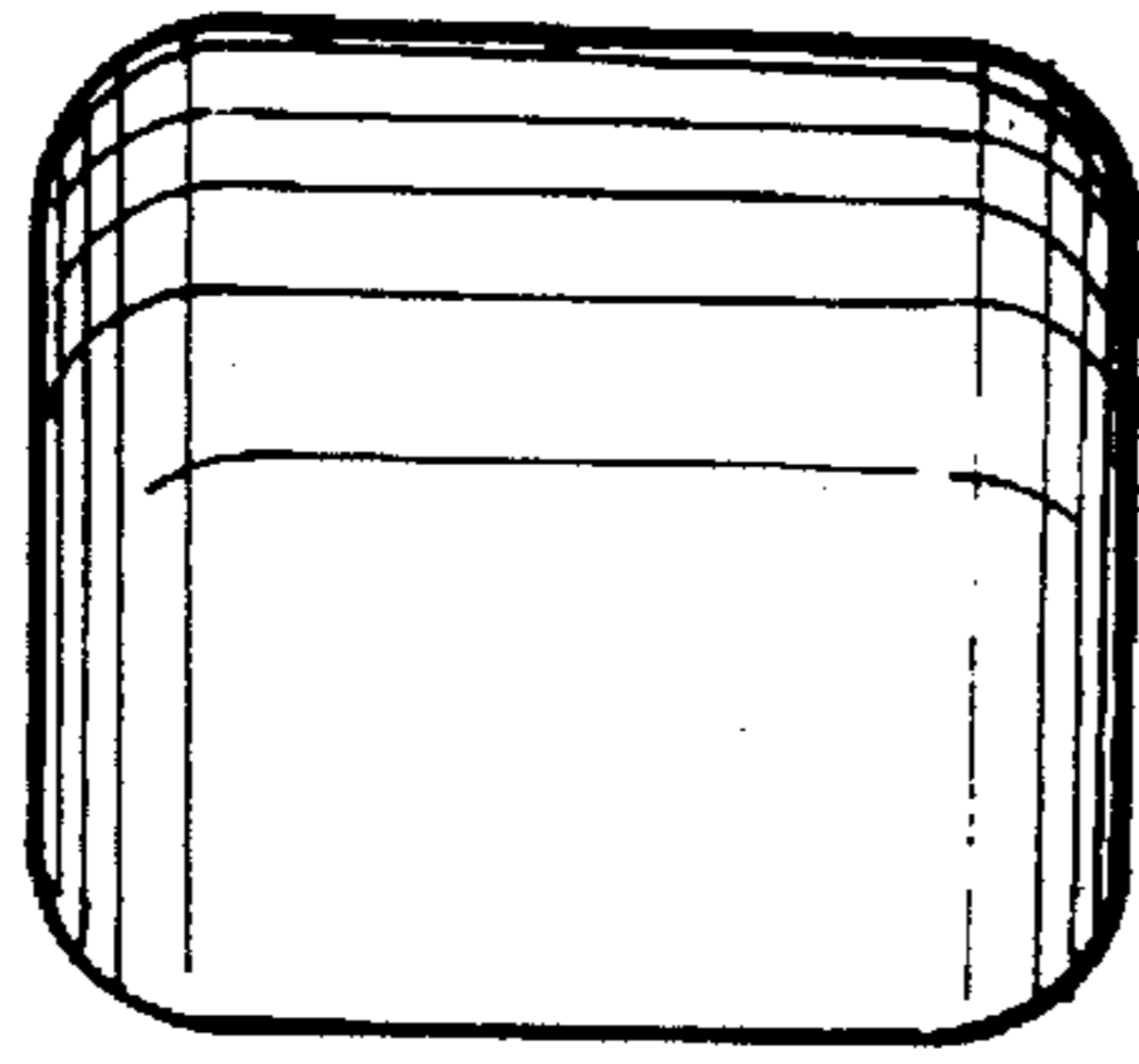
*Fig. 1.*



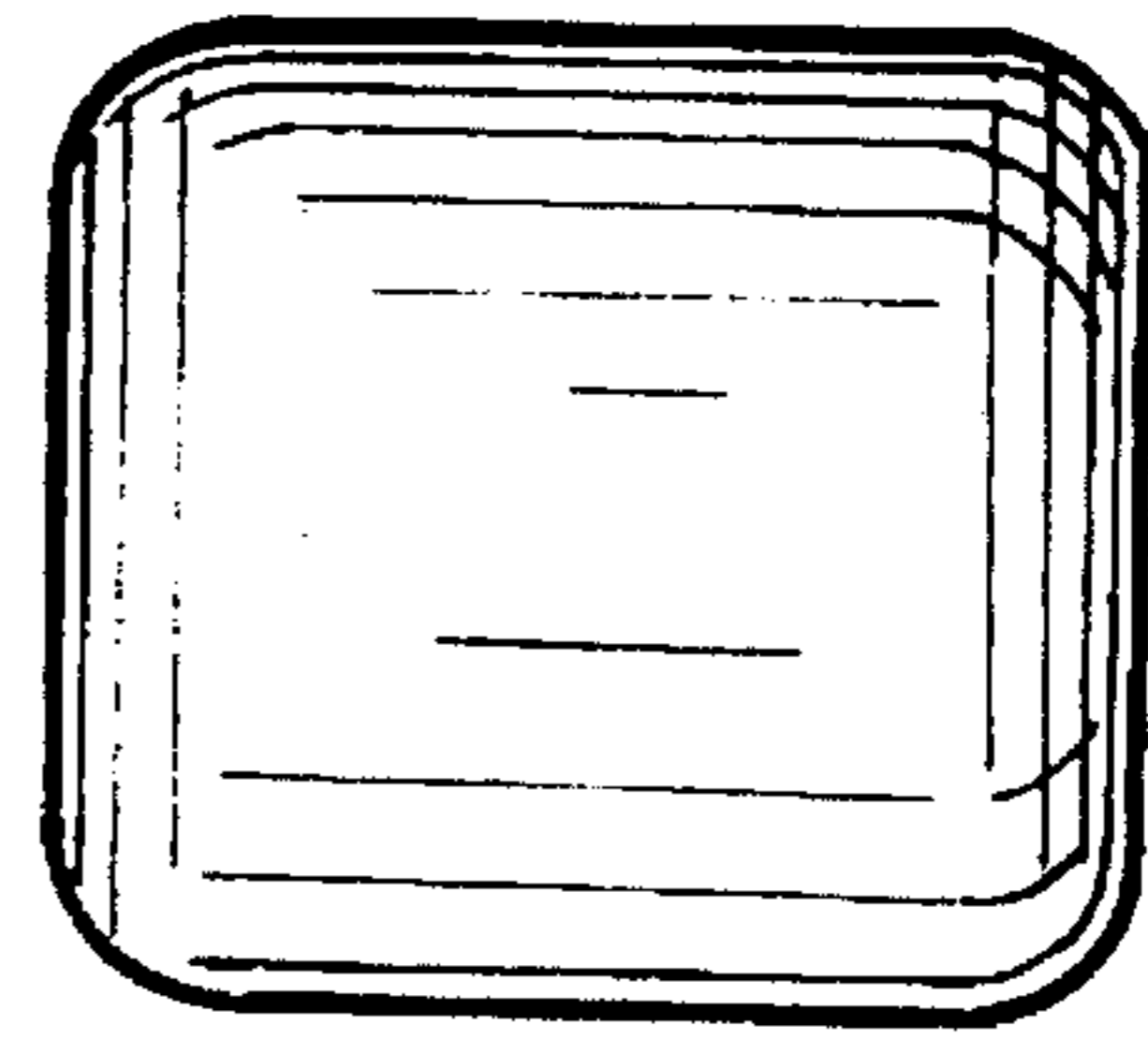
*Fig. 2.*



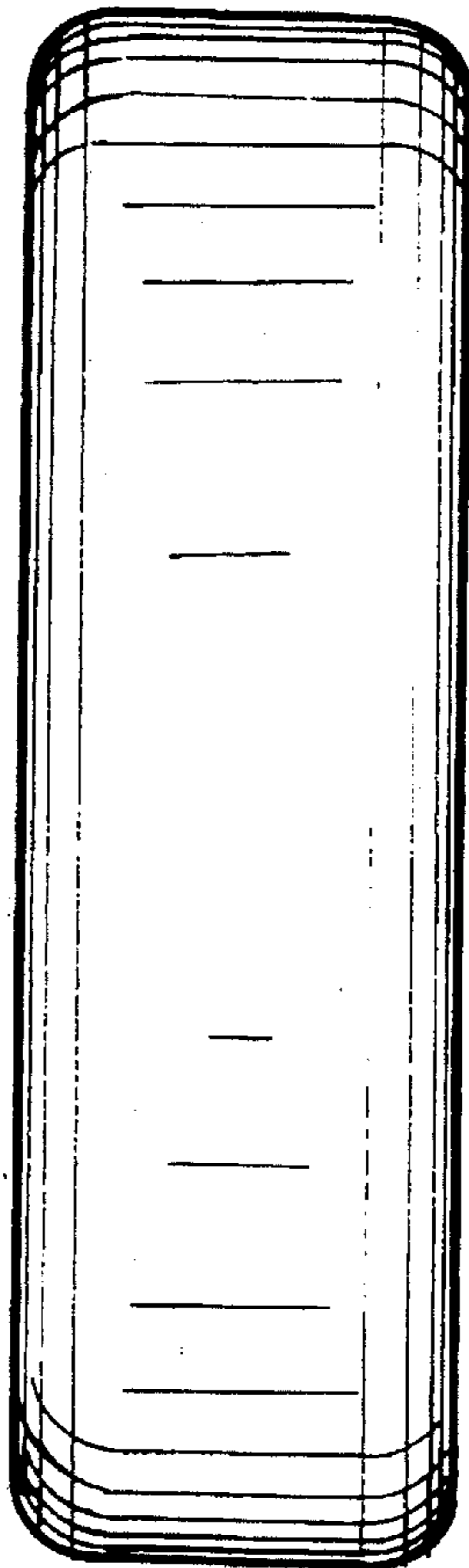
*Fig. 3.*



*Fig. 4*



*Fig. 5*



*Fig. 6*

UNITED STATES PATENT AND TRADEMARK OFFICE  
**CERTIFICATE OF CORRECTION**

PATENT NO. : Des. 374,875  
DATED : October 22, 1996  
INVENTOR(S) : J.D. Graves

It is certified that error appears in the above-identified patent and that said Letters Patent is hereby corrected as shown below:

TITLE PAGE:

Item [63]	Related U.S. Application Data	"April 4, 1994," should read --April 14, 1994,--
Item [63]	Refs. Cited (U.S. Pat. Docs., Item 11)	"2,793,411" should read --2,973,411--

Signed and Sealed this

Eighteenth Day of February, 1997

Attest:



**BRUCE LEHMAN**

*Attesting Officer*

*Commissioner of Patents and Trademarks*