



US00D374871S

United States Patent [19]

Taniguchi

[11] Patent Number: **Des. 374,871**

[45] Date of Patent: ****Oct. 22, 1996**

[54] **MAGNET OPTICAL DISK RECORDER**

D. 338,008 8/1993 Nakayama D14/188 X

[75] Inventor: **Shuhei Taniguchi**, Tokyo, Japan

Primary Examiner—Sandra L. Morris

Assistant Examiner—Nanda Bondade

[73] Assignee: **Sony Corporation**, Tokyo, Japan

Attorney, Agent, or Firm—Foley & Lardner

[**] Term: **14 Years**

[57] **CLAIM**

[21] Appl. No.: **34,707**

The ornamental design for a magnet optical disk recorder, as shown and described.

[22] Filed: **Feb. 10, 1995**

DESCRIPTION

[52] U.S. Cl. **D14/136; D14/160**

[58] Field of Search D14/124, 135-136, D14/160-168, 188-190, 192-198, 217, 257, 260, 299; 455/344, 347-351

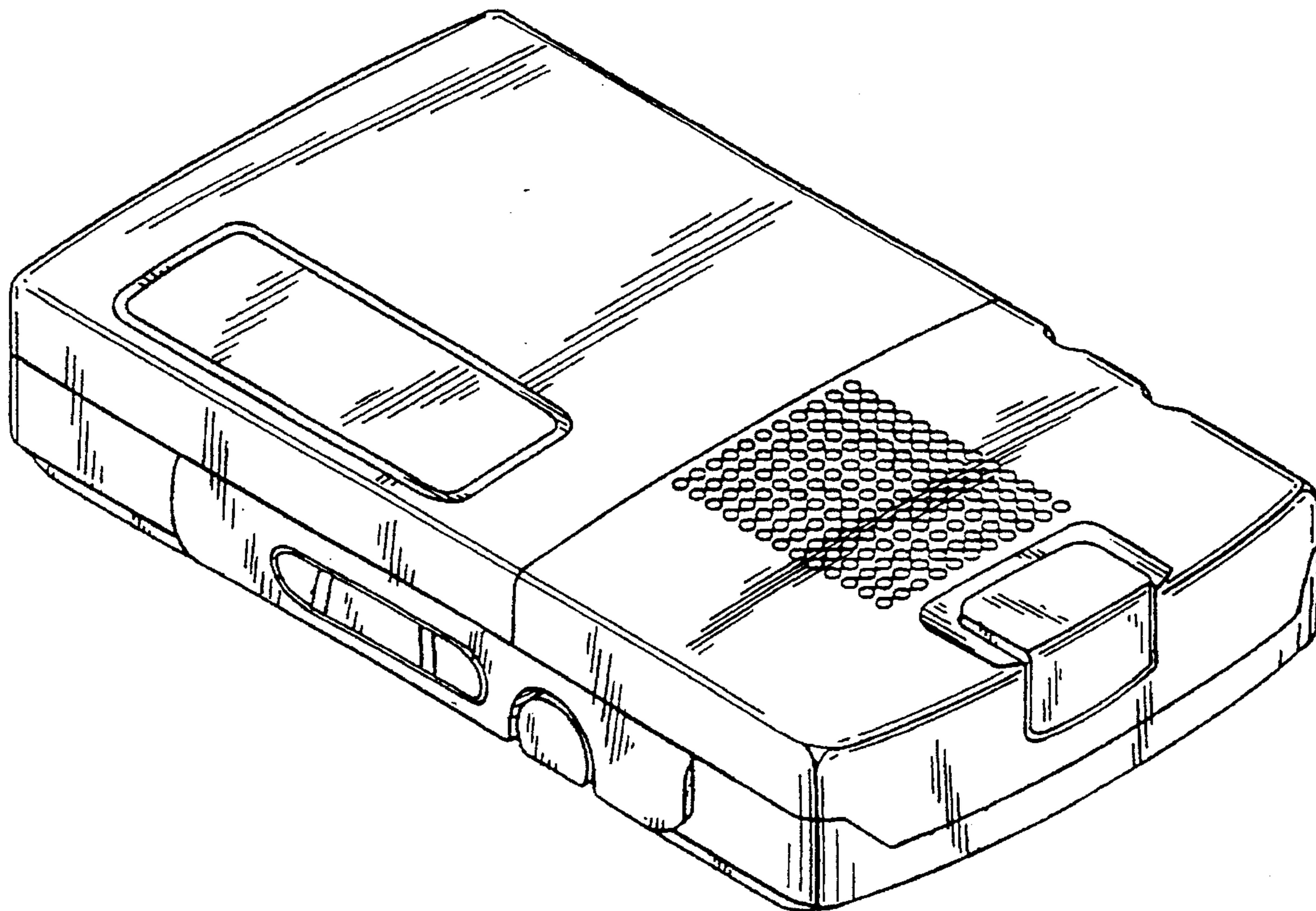
FIG. 1 is a perspective view of a magnet optical disk recorder showing my new design; FIG. 2 is a left side elevational view thereof; FIG. 3 is a top plan view thereof; FIG. 4 is a right side elevational view thereof; FIG. 5 is a front elevational view thereof; FIG. 6 is a bottom plan view thereof; and, FIG. 7 is a rear elevational view thereof.

[56] References Cited

U.S. PATENT DOCUMENTS

- D. 312,255 11/1990 Yoshii D14/163
- D. 314,574 2/1991 Kato D14/163
- D. 315,732 3/1991 Shimasaki D14/188 X
- D. 319,236 8/1991 Ito et al. D14/162

1 Claim, 4 Drawing Sheets



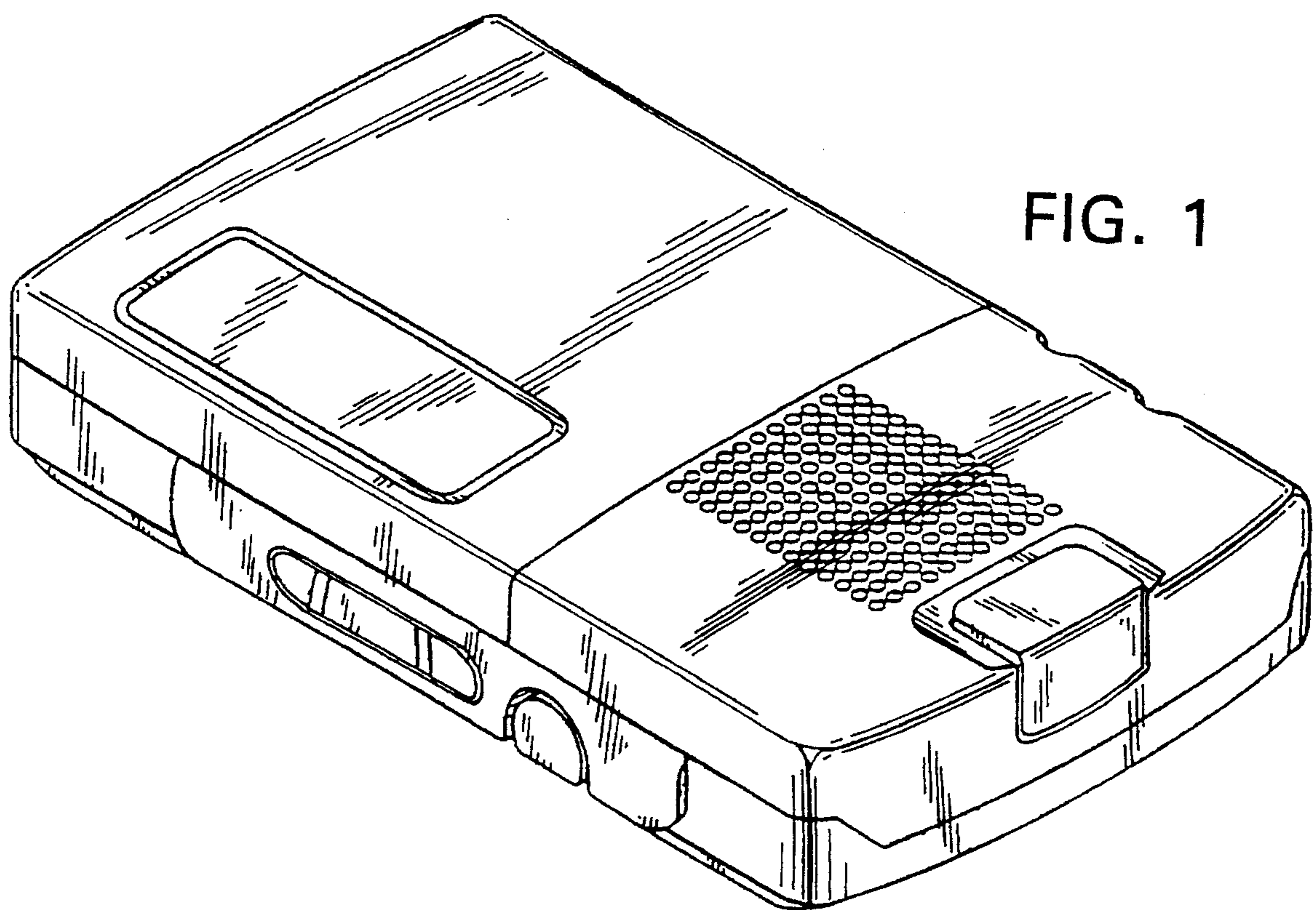


FIG. 1

FIG. 2

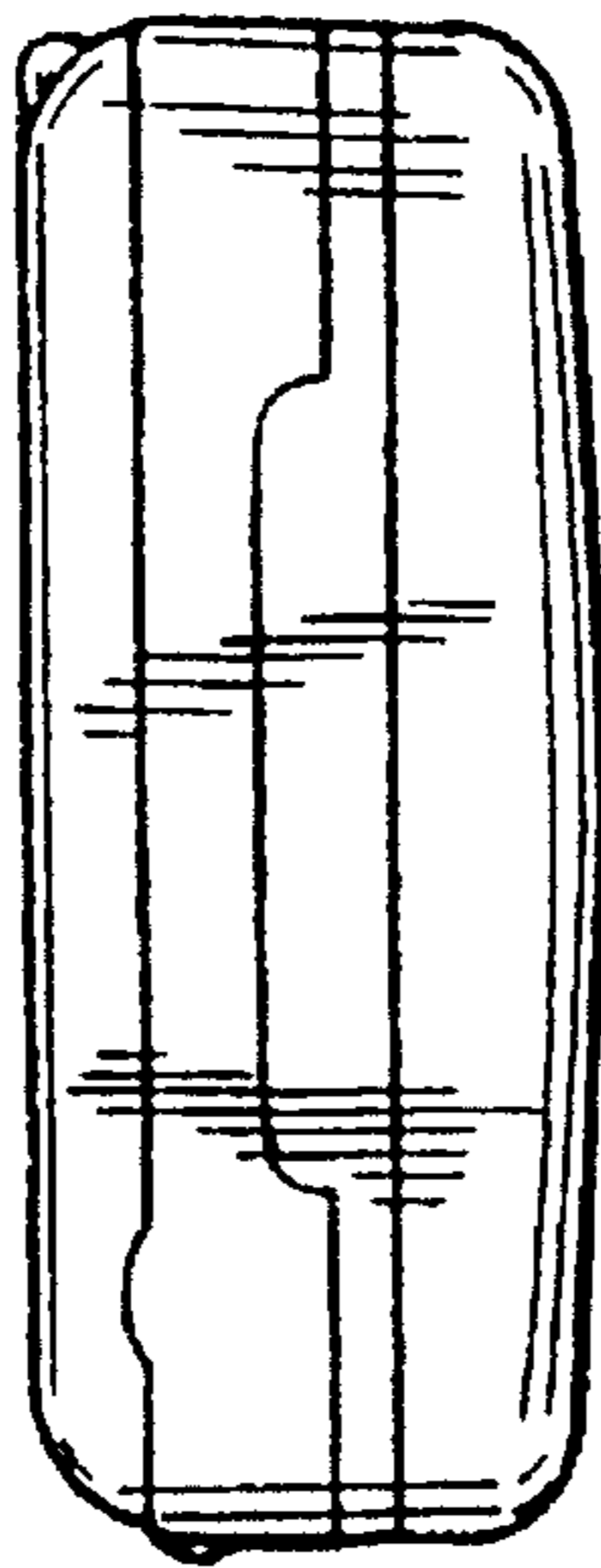


FIG. 3

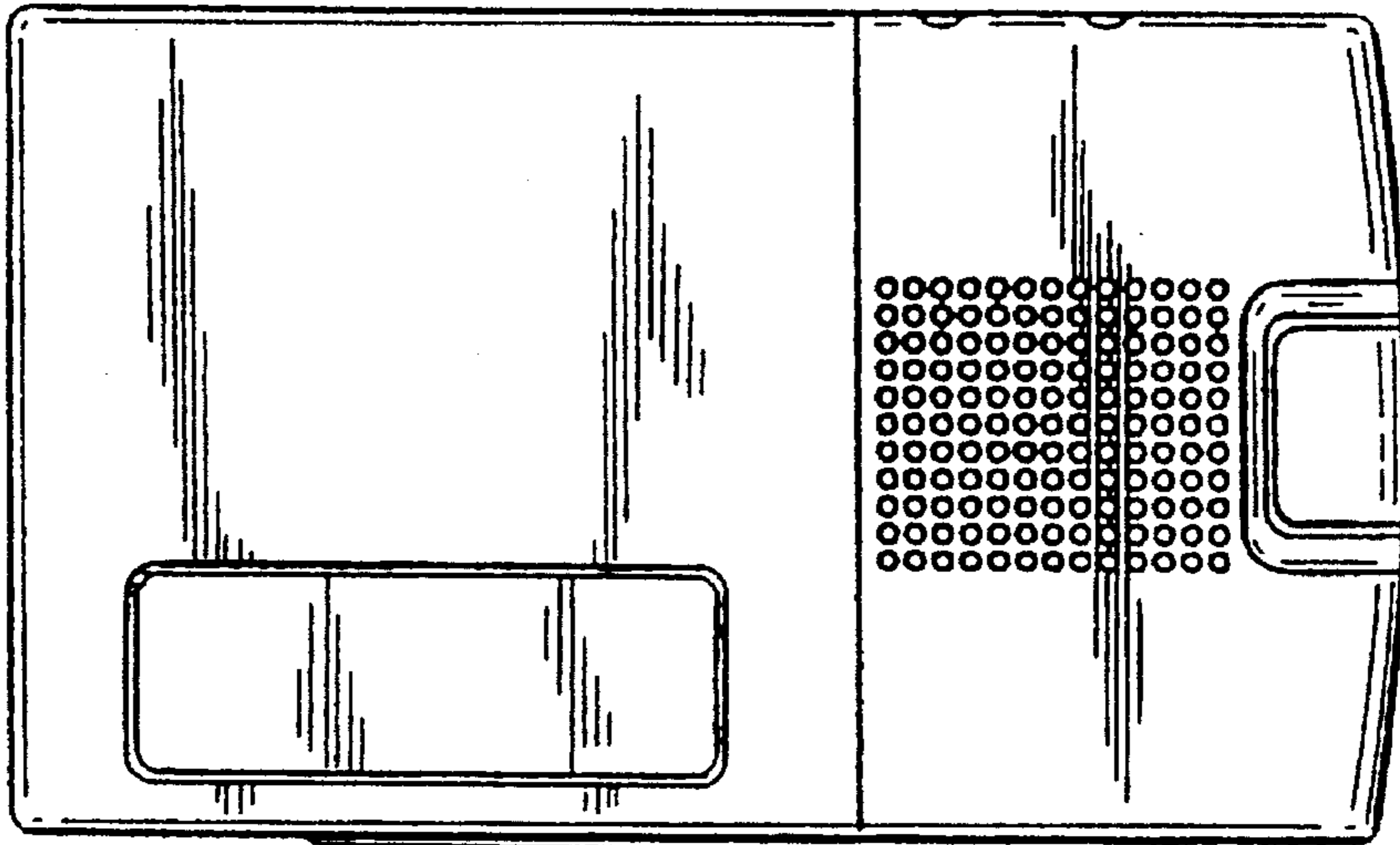


FIG. 4

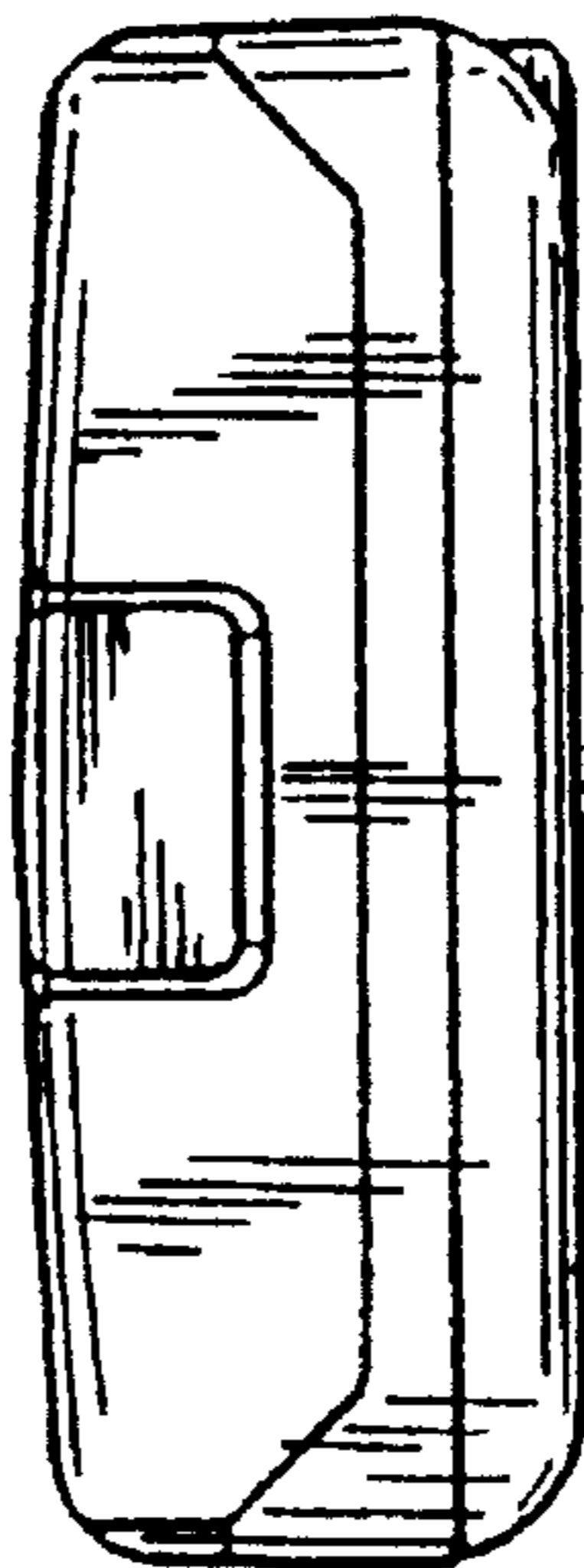


FIG. 5

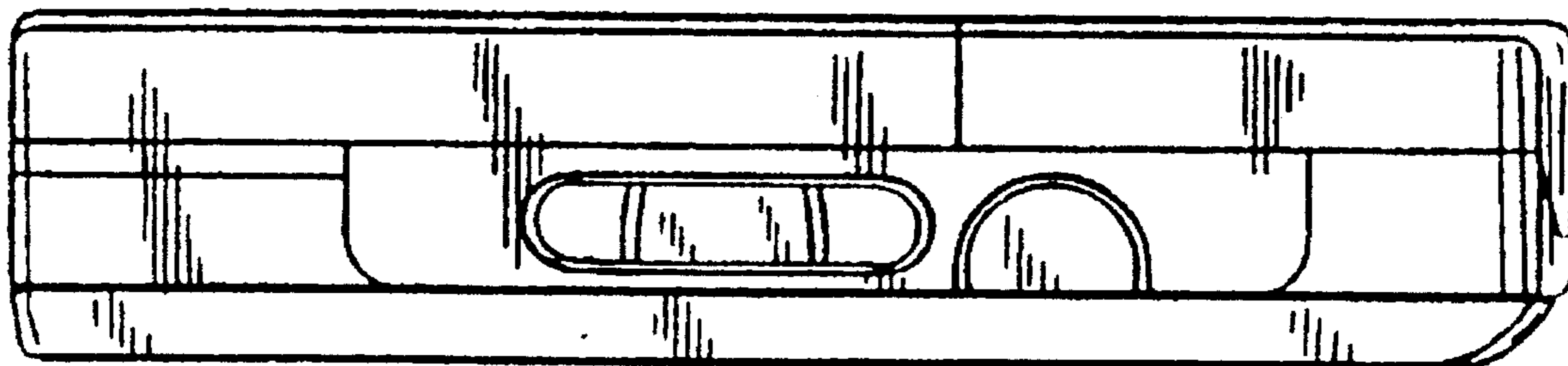


FIG. 6

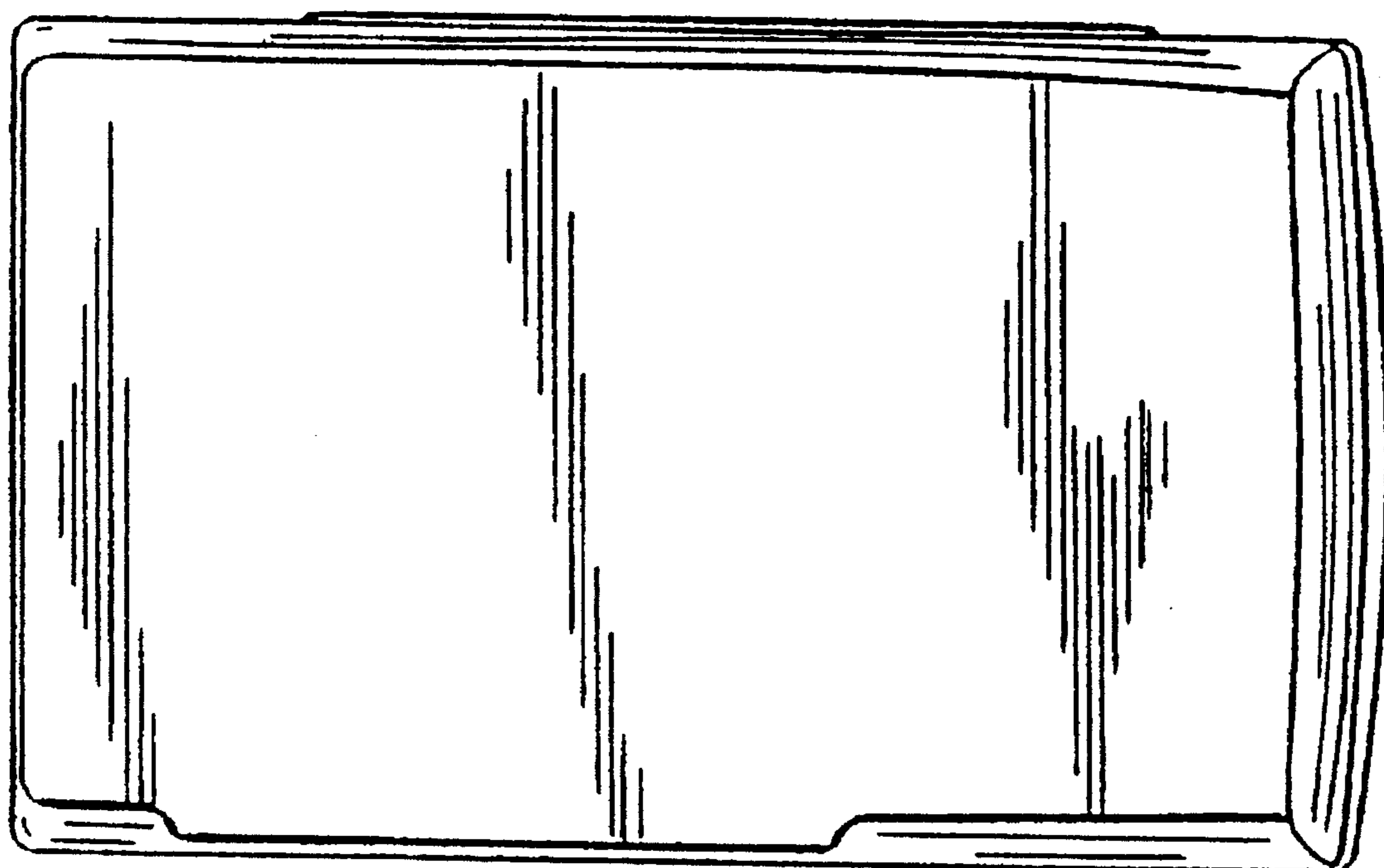


FIG. 7

